



US00D841167S

(12) **United States Design Patent** (10) **Patent No.:** **US D841,167 S**
Ricca et al. (45) **Date of Patent:** **** Feb. 19, 2019**

- (54) **LUMBAR INTERBODY IMPLANT**
- (71) Applicant: **American Medical Ortho Systems LLC, Pangburn, AR (US)**
- (72) Inventors: **Gregory F. Ricca, Searcy, AR (US); John C. Balenko, Pangburn, AR (US)**
- (73) Assignee: **American Medical Ortho Systems LLC, Pangburn, AR (US)**
- (**) Term: **15 Years**
- (21) Appl. No.: **29/614,073**
- (22) Filed: **Aug. 16, 2017**
- (51) **LOC (11) Cl.** **24-03**
- (52) **U.S. Cl.**
USPC **D24/155**
- (58) **Field of Classification Search**
USPC D24/155
CPC A61F 2/4611; A61F 2/442; A61F 2/447;
A61F 2220/0025; A61F 2310/00023;
A61F 2310/00017; A61F 2002/4475;
A61F 2002/30841; A61F 2002/2835;
A61F 2002/30904; A61F 2002/30785;
A61F 2002/443; A61F 2002/30578
See application file for complete search history.

6,835,208	B2	12/2004	Marchosky	
D541,940	S	5/2007	Blain	
7,828,849	B2	11/2010	Lim	
D664,252	S *	7/2012	Weiland	D24/155
8,273,129	B2	9/2012	Baynham	
8,323,342	B2	12/2012	Schwab	
8,382,842	B2	2/2013	Greenhaugh	
8,690,949	B2	4/2014	Messerli	
8,978,933	B2	3/2015	Vishnubholta	
8,986,389	B2	3/2015	Lim	
9,011,544	B2	4/2015	Arramon	
9,204,972	B2	12/2015	Weiman	
D750,249	S	2/2016	Grimberg	
9,259,329	B2	2/2016	Greenhaugh	
D786,434	S *	5/2017	Trautwein	D24/155
9,700,431	B2 *	7/2017	Nebosky	A61F 2/447
2001/0016774	A1	8/2001	Bresina	
2002/0055781	A1	5/2002	Sazy	
2006/0173464	A1	8/2006	Ellman	
2006/0265068	A1	11/2006	Schwab	
2007/0213823	A1	9/2007	Trieu	
2009/0043390	A1	2/2009	Meisel	

(Continued)

Primary Examiner — Charles D Hanson
 (74) *Attorney, Agent, or Firm* — Stephen D. Carver

(57) **CLAIM**

The ornamental design for a lumbar interbody implant, as shown and described.

DESCRIPTION

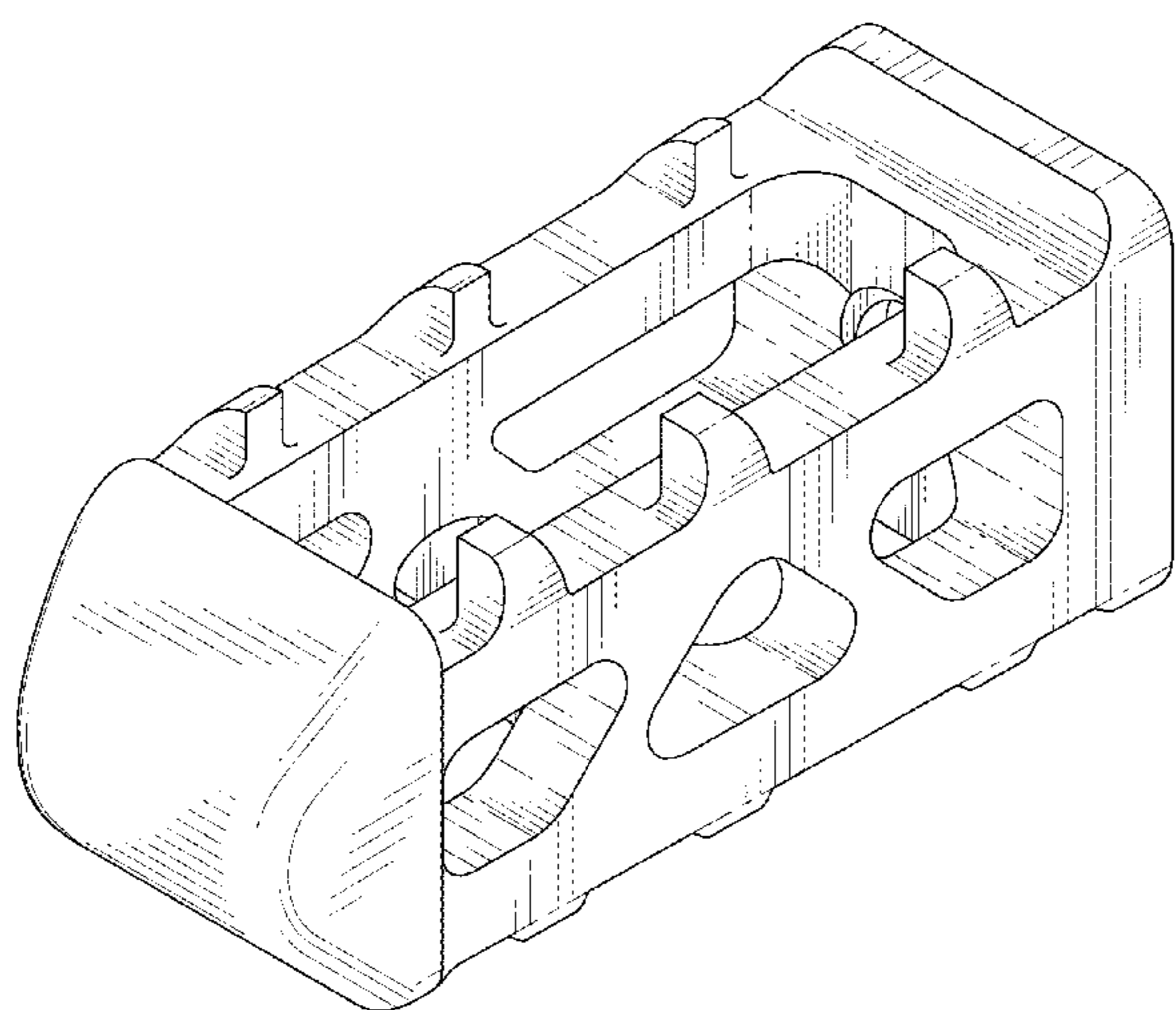
FIG. 1 is a frontal isometric view of our new lumbar interbody implant, showing our new design;
 FIG. 2 is a front plan view thereof;
 FIG. 3 13 a rear plan view thereof;
 FIG. 4 is a right side elevational view thereof;
 FIG. 5 is a left side elevational view thereof;
 FIG. 6 is a top plan view thereof;
 FIG. 7 is a bottom plan view thereof; and,
 FIG. 8 is a rear isometric view thereof.

1 Claim, 5 Drawing Sheets

(56) **References Cited**

U.S. PATENT DOCUMENTS

5,192,327	A	3/1993	Brantigan
5,306,309	A	4/1994	Wagner
5,425,772	A	6/1995	Brantigan
5,443,514	A	8/1995	Steffee
5,458,638	A	10/1995	Kuslich
5,607,424	A	3/1997	Tropiano
5,609,636	A	3/1997	Kohrs
5,669,909	A	11/1997	Zdeblick
5,766,252	A	6/1998	Henry
6,080,158	A	6/2000	Lim



(56)

References Cited

U.S. PATENT DOCUMENTS

2009/0270986 A1* 10/2009 Christensen A61F 2/4425
623/17.14
2010/0234966 A1* 9/2010 Lo A61F 2/4455
623/23.51
2011/0190888 A1* 8/2011 Bertele A61F 2/30907
623/17.11
2012/0303128 A1* 11/2012 Ullrich, Jr. A61F 2/4465
623/17.16
2016/0051371 A1 2/2016 Defelice
2016/0058573 A1 3/2016 DiMauro
2016/0089250 A1 3/2016 Gfeller
2016/0106548 A1 4/2016 Li
2016/0128846 A1 5/2016 Voellmicke

* cited by examiner

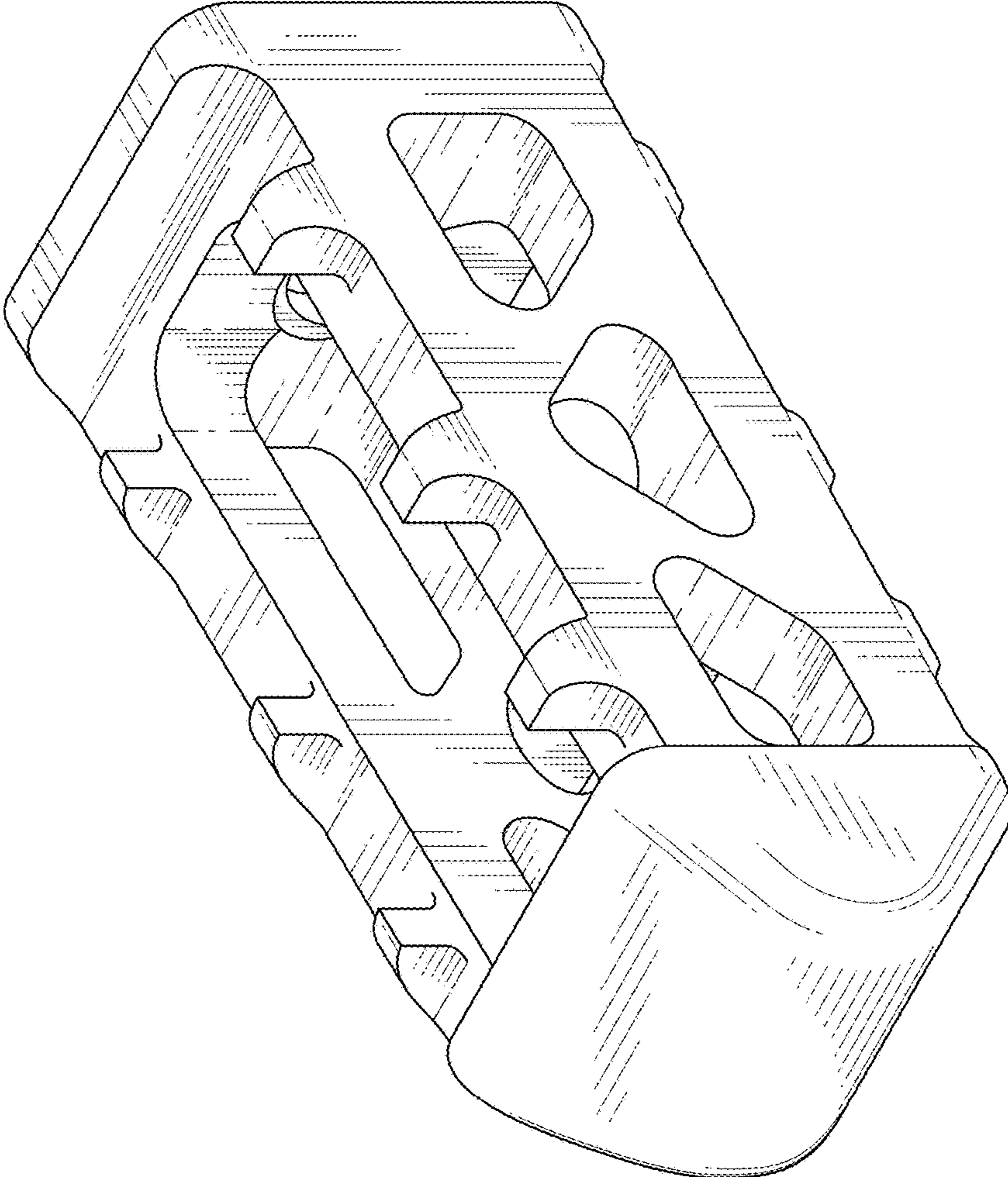


FIG. 1

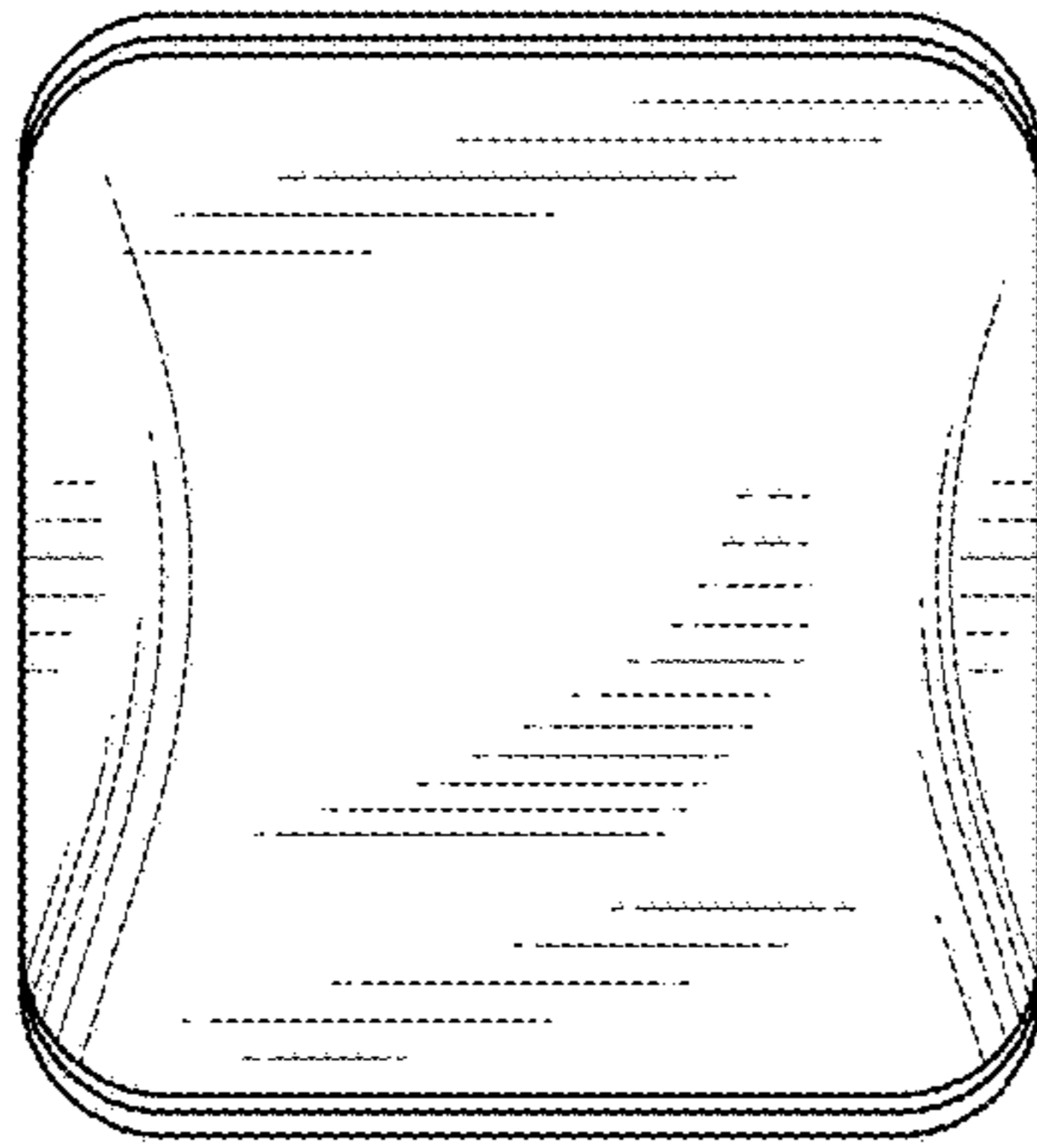


FIG. 2

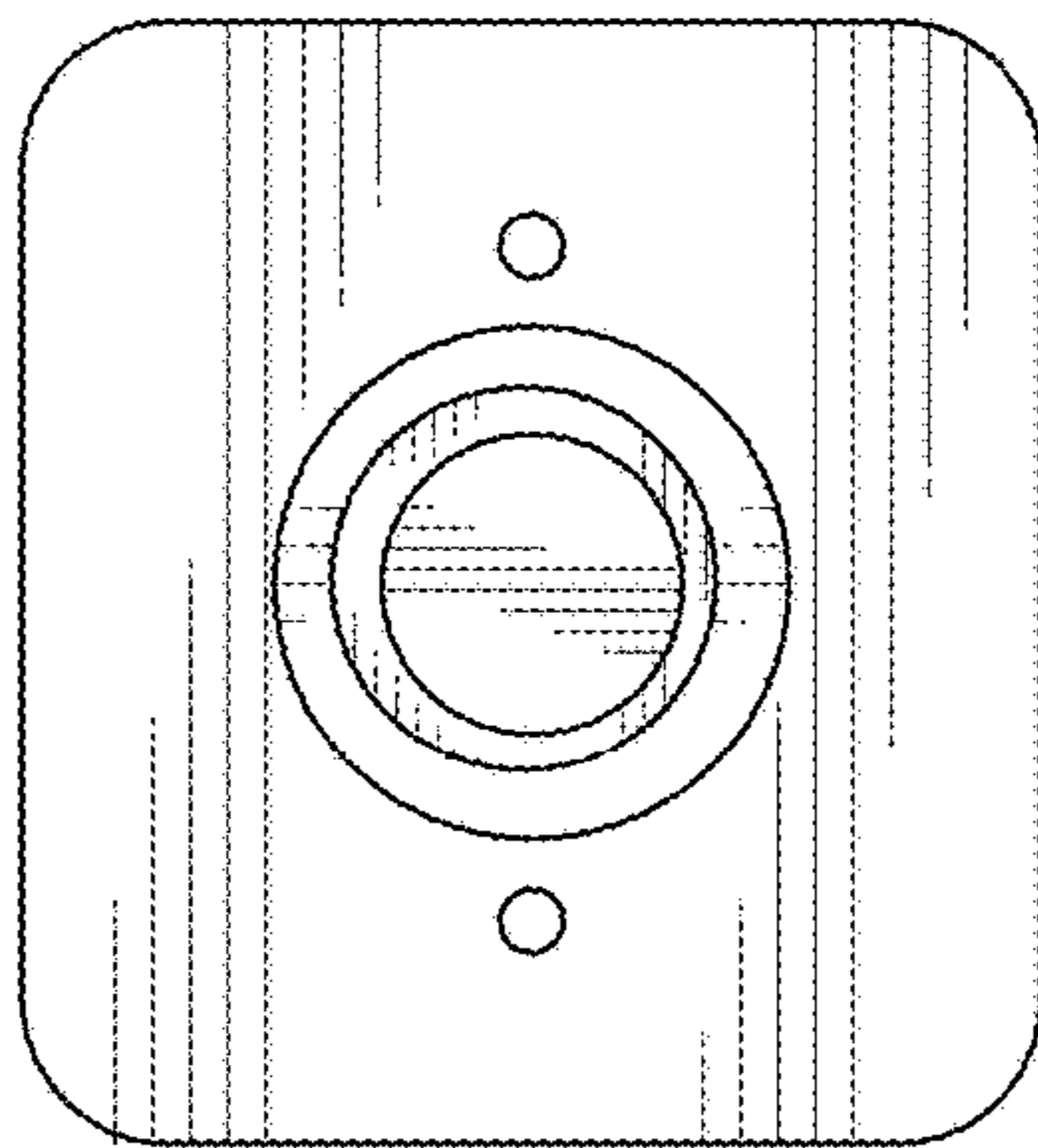


FIG. 3

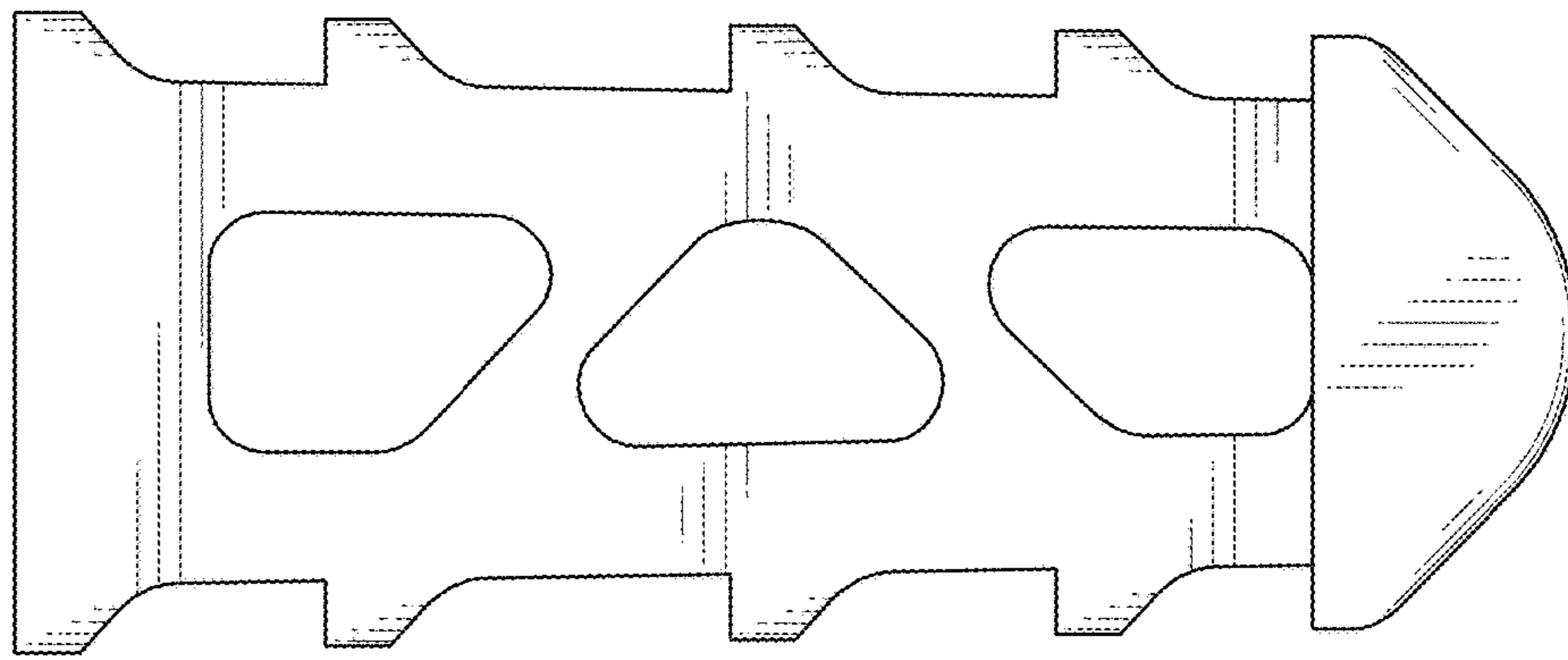


FIG. 4

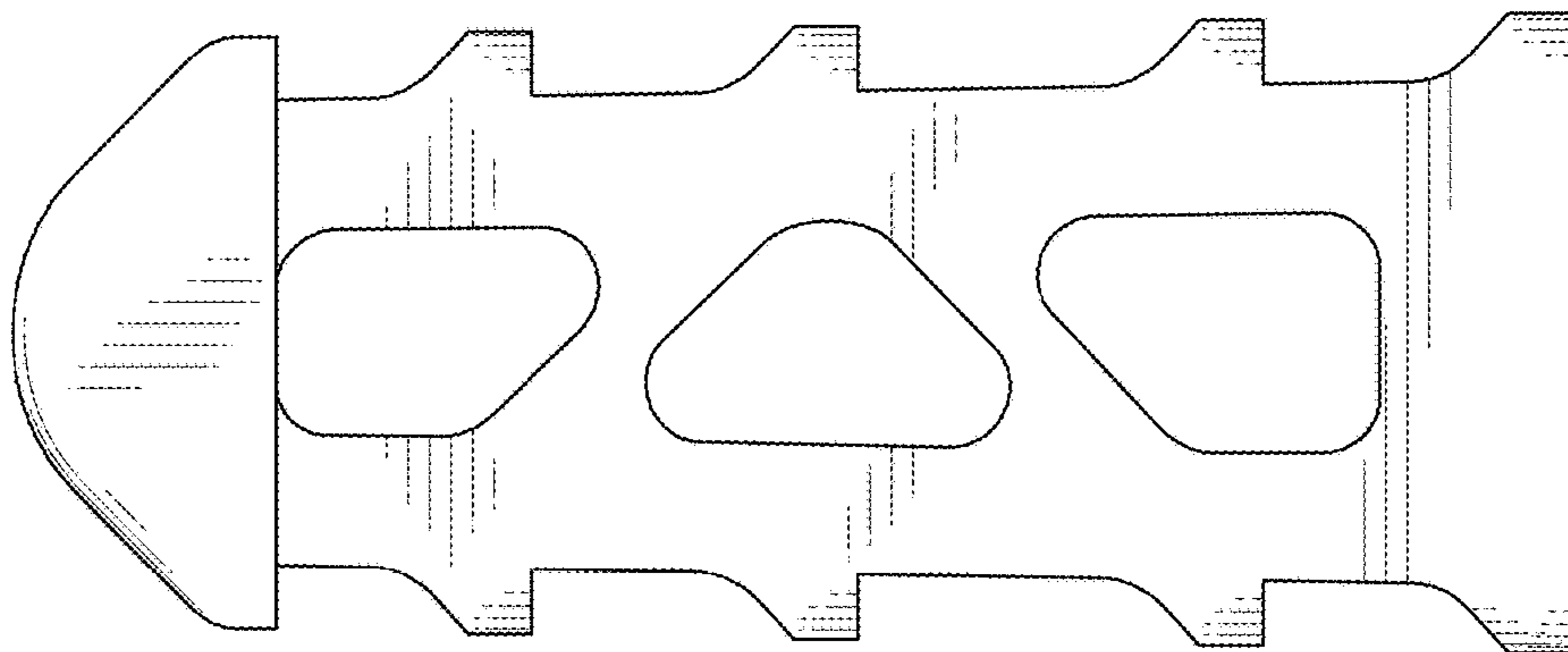


FIG. 5

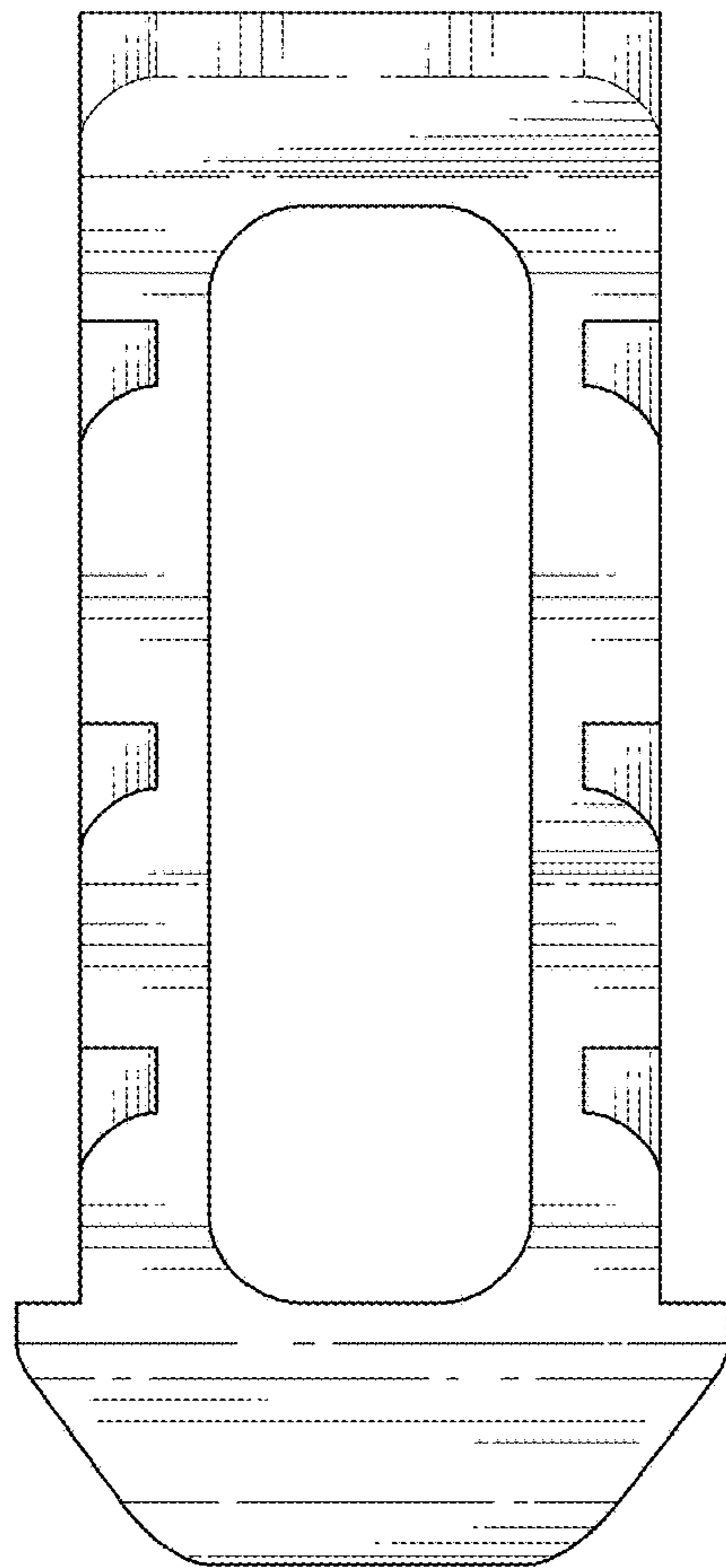


FIG. 6

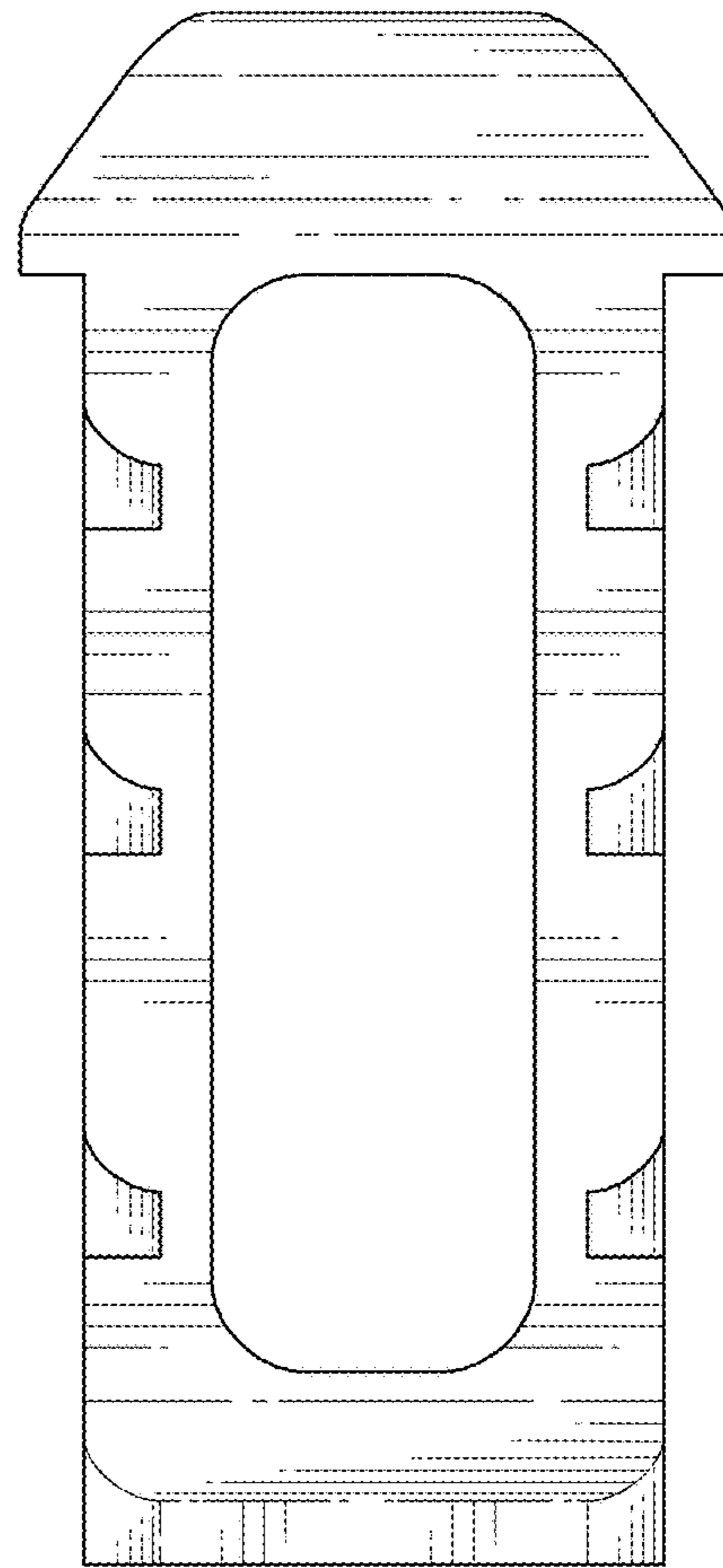


FIG. 7

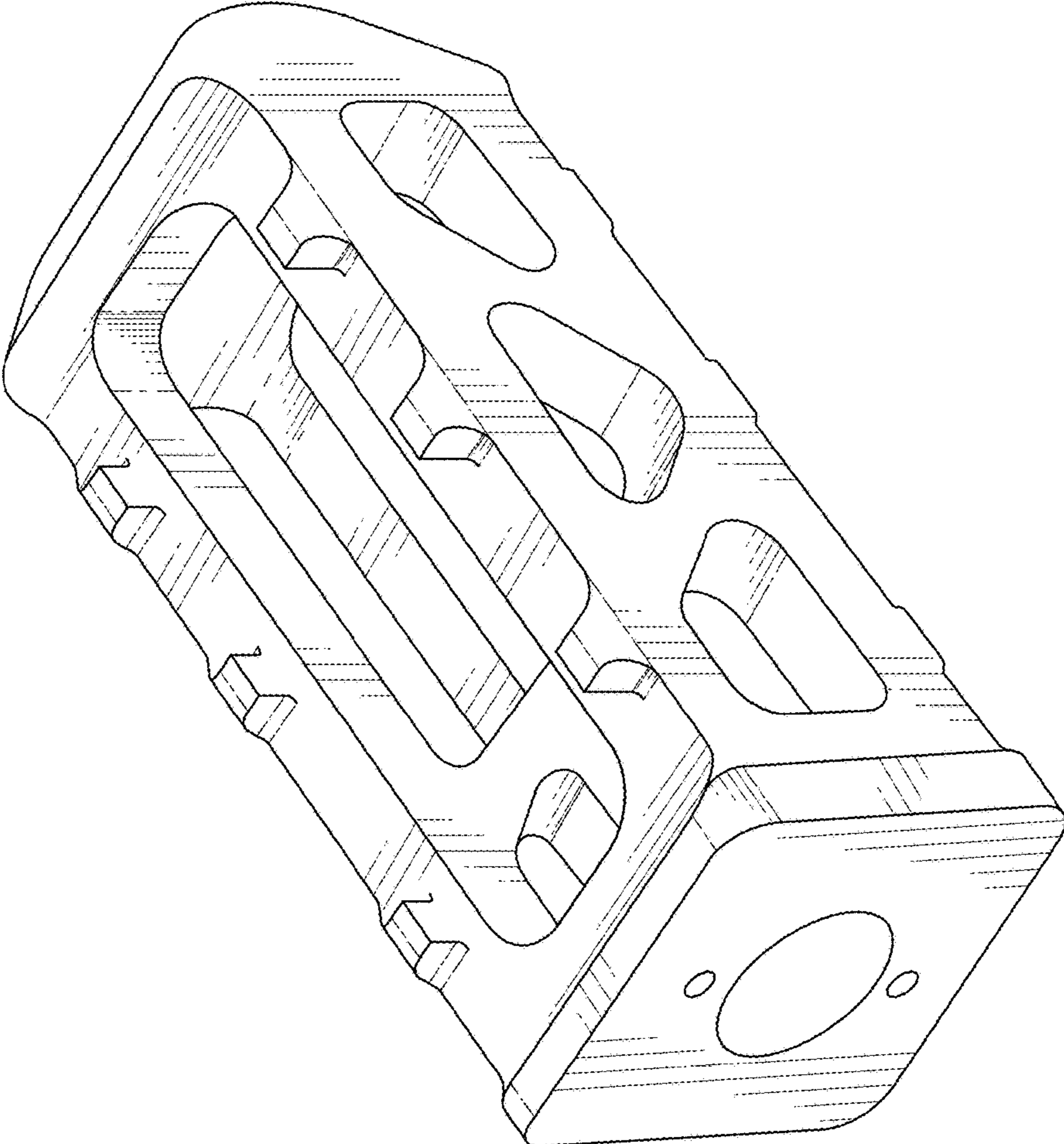


FIG. 8