

US00D841163S

(12) **United States Design Patent** (10) **Patent No.:** **US D841,163 S**  
**Di Sessa et al.** (45) **Date of Patent:** **\*\* Feb. 19, 2019**

(54) **LASER SYSTEM DISPLAY**  
(71) Applicant: **Azena Medical, LLC**, Pleasant Hill, CA (US)  
(72) Inventors: **Alexandre B. Di Sessa**, Walnut Creek, CA (US); **Roberto Minoru Imai, Jr.**, Dublin, CA (US)

8,195,313 B1 \* 6/2012 Fadell ..... G06F 3/04847  
700/83  
8,277,442 B2 10/2012 Di Sessa  
D687,043 S \* 7/2013 Matas ..... D14/485  
D687,057 S \* 7/2013 Plitkins ..... D14/488  
(Continued)

(\*\*) Term: **15 Years**

(21) Appl. No.: **29/585,062**

(22) Filed: **Nov. 19, 2016**

(51) **LOC (11) Cl.** ..... **24-02**

(52) **U.S. Cl.**  
USPC ..... **D24/144**

(58) **Field of Classification Search**  
USPC ..... D24/144, 146, 133, 107, 112, 130,  
D24/185-186, 152, 176; D14/341, 485,  
D14/487-488; D18/26; D10/49-50, 64,  
D10/65, 122, 126, 30; D16/219, 134;  
D20/11  
CPC ..... A61B 18/20; A61B 18/201; A61B 18/22;  
A61B 2018/202; A61B 2017/00199;  
A61B 5/00; A61C 1/0046; A61C 1/07;  
A61C 17/20; G06F 3/04817; G06F  
3/0482

See application file for complete search history.

(56) **References Cited**

**U.S. PATENT DOCUMENTS**

D232,325 S 8/1974 Durden, III  
D246,189 S 10/1977 Smith  
D322,415 S \* 12/1991 Ritchie ..... D10/126  
6,129,721 A 10/2000 Kataoka  
6,829,427 B1 12/2004 Becker  
D553,142 S \* 10/2007 Blencowe ..... D14/486  
7,695,469 B2 4/2010 Boutoussov  
D617,360 S \* 6/2010 Endo ..... D16/134  
D660,965 S 5/2012 Waclawik  
8,192,359 B2 \* 6/2012 Kusakabe ..... A61B 5/00  
433/27

**OTHER PUBLICATIONS**

Office Action dated Aug. 27, 2018 for U.S. Appl. No. 29/585,061.  
Notice of Allowance dated Oct. 11, 2018 for U.S. Appl. No. 29/585,060.

*Primary Examiner* — Wan Laymon

(74) *Attorney, Agent, or Firm* — Stoel Rives LLP

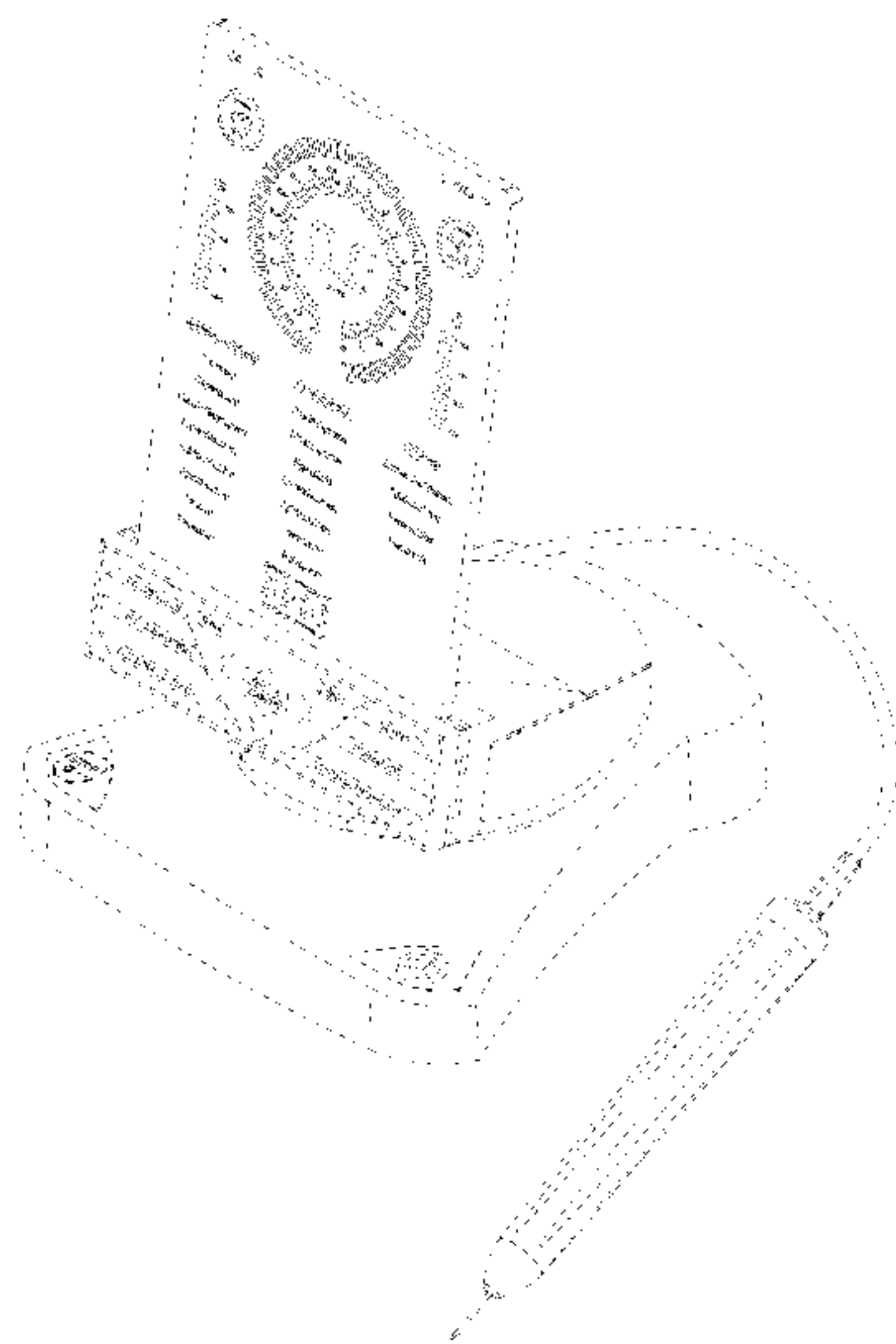
(57) **CLAIM**

The ornamental design for a laser system display, as shown and described.

**DESCRIPTION**

FIG. 1 is a perspective view of a first embodiment of a laser system display showing our new design, wherein the first embodiment is depicted in an operational state;  
FIG. 2 is an enlarged front plan view thereof;  
FIG. 3 is another perspective view thereof, wherein the first embodiment is depicted in a first alternative operational state;  
FIG. 4 is another enlarged front plan view thereof, wherein the first embodiment is depicted in the first alternative operational state;  
FIG. 5 is another perspective view thereof, wherein the first embodiment is depicted in a second alternative operational state; and,  
FIG. 6 is another enlarged front plan view thereof, wherein the first embodiment is depicted in the second alternative operational state.  
The broken lines are directed to environment and are for illustrative purposes only; the broken lines form no part of the claimed design.

**1 Claim, 6 Drawing Sheets**



(56)

**References Cited**

U.S. PATENT DOCUMENTS

8,850,348 B2 \* 9/2014 Fadell ..... G06F 3/0362  
715/771  
2010/0106146 A1 4/2010 Boitor  
2017/0148378 A1 \* 5/2017 Di Sessa ..... G09G 3/30

\* cited by examiner

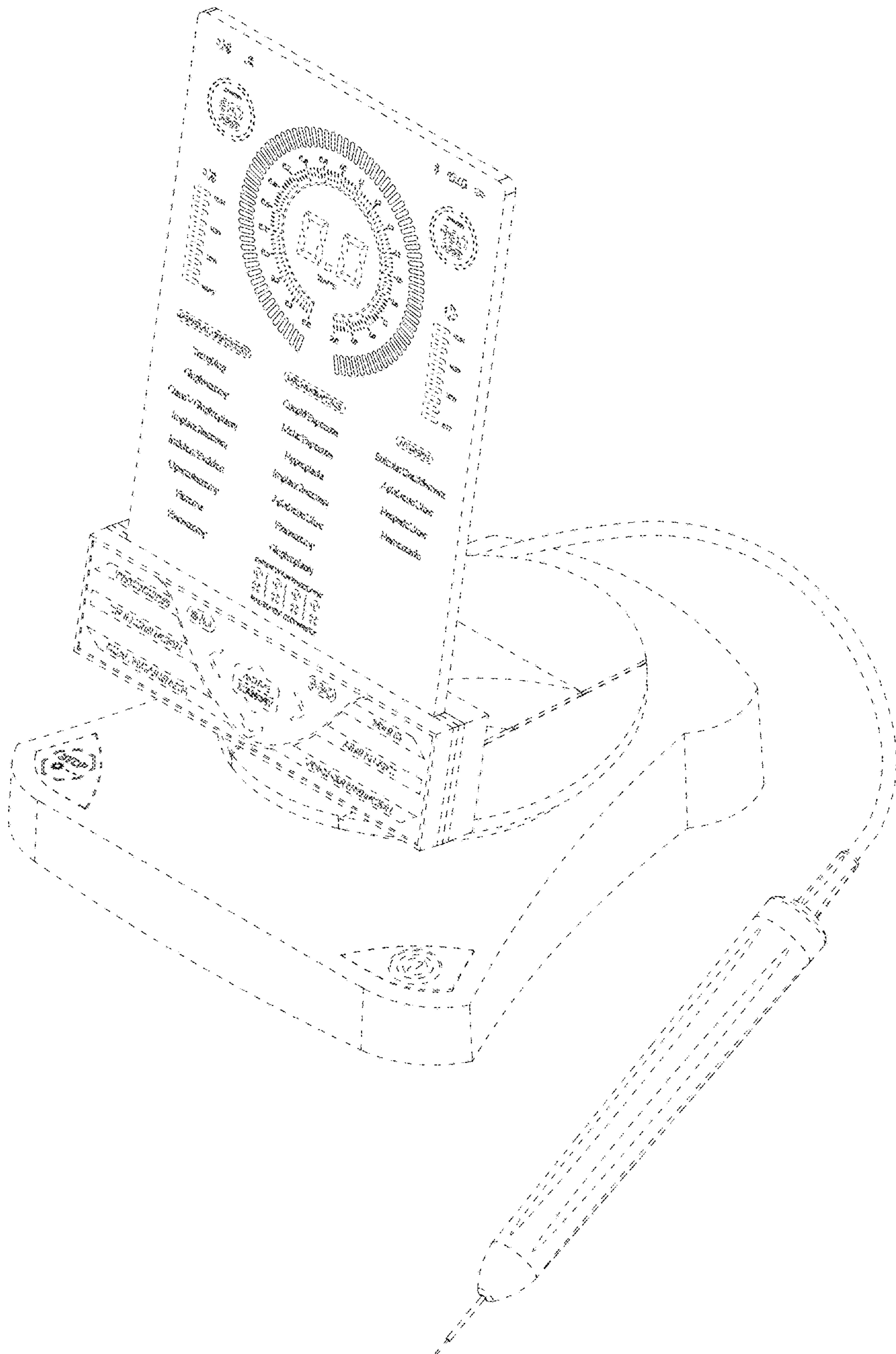


FIG. 1

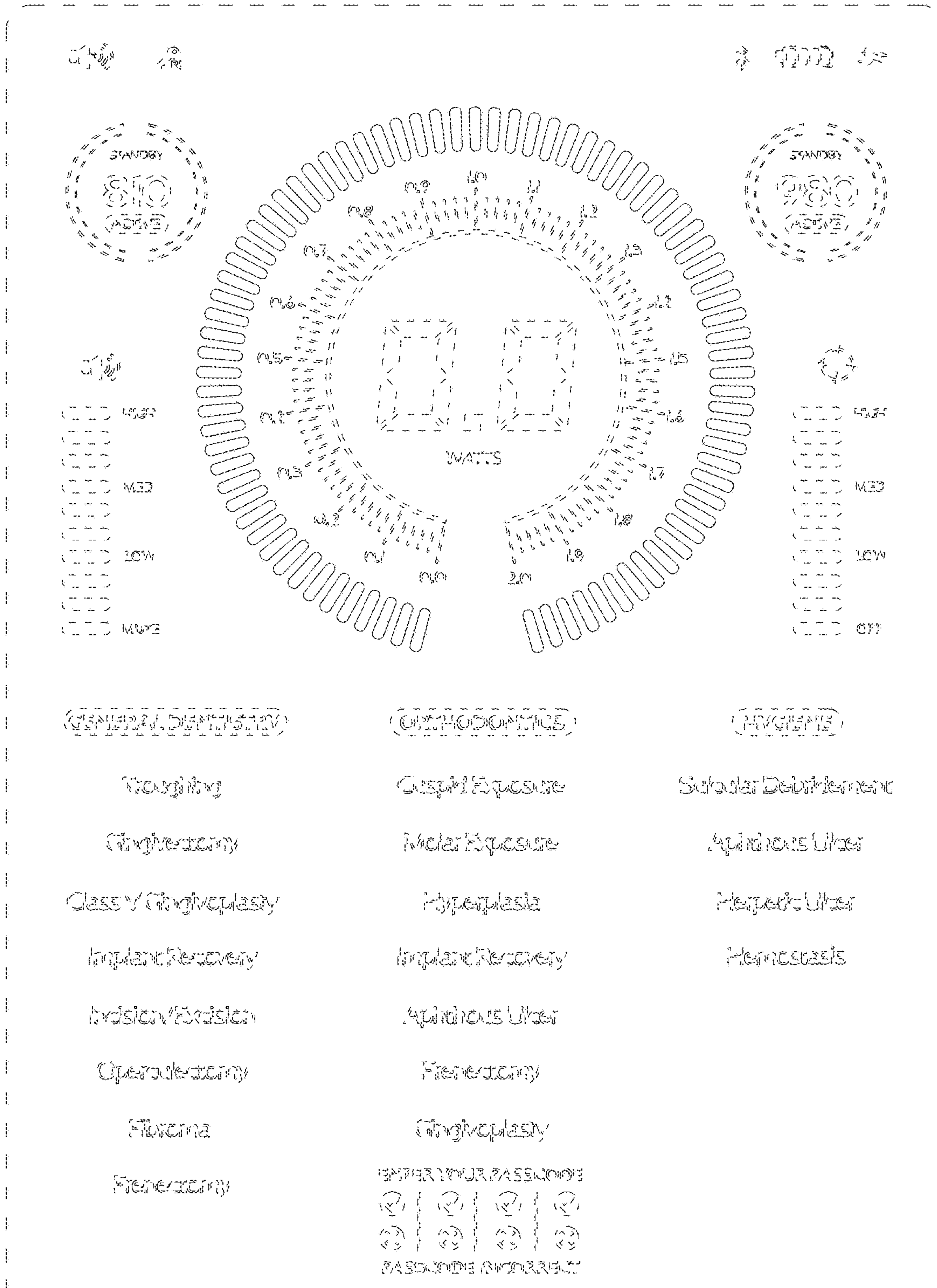


FIG. 2





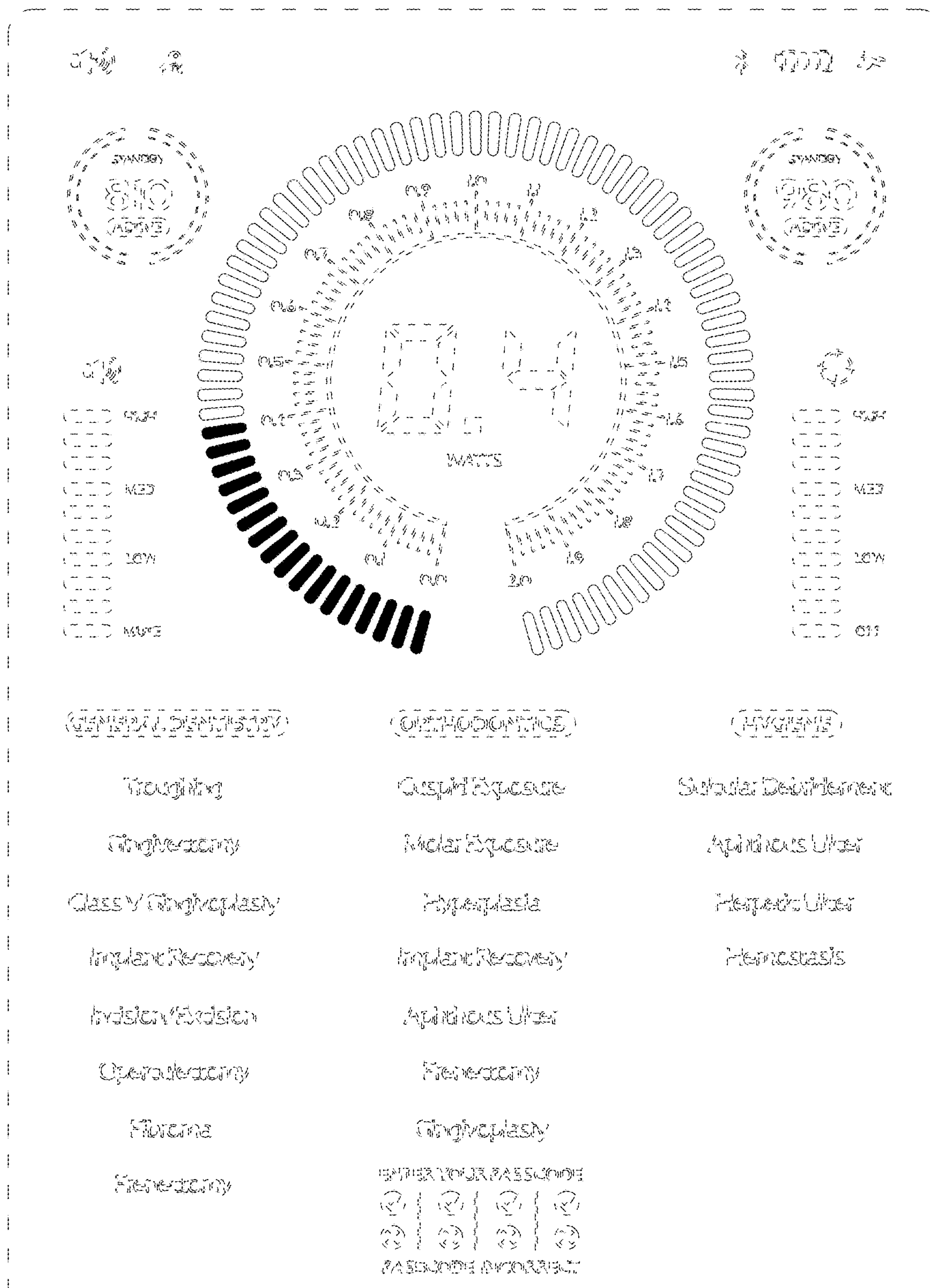


FIG. 4

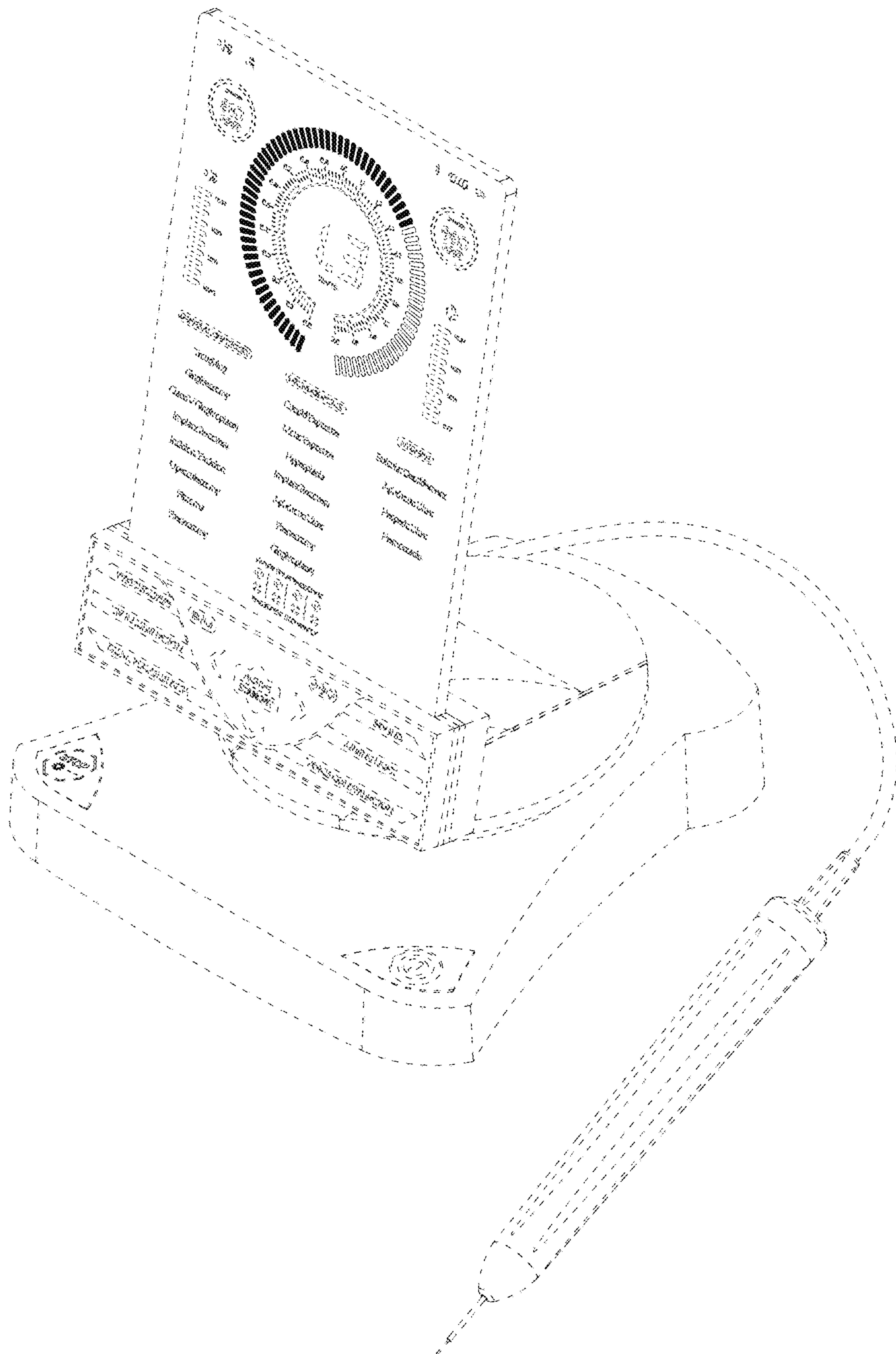


FIG. 5



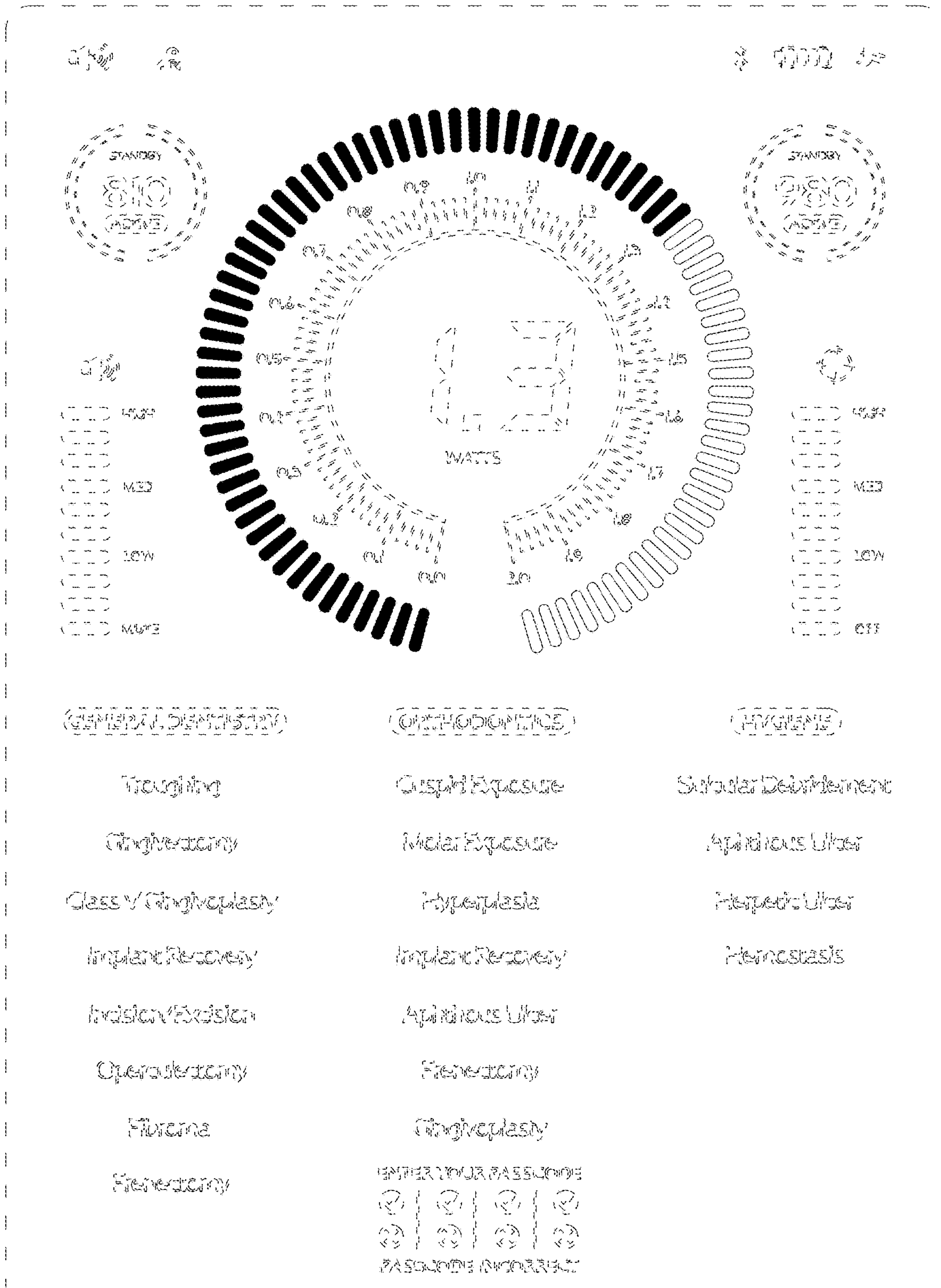


FIG. 6