

US00D841160S

(12) **United States Design Patent**  
**Cranfield et al.**

(10) **Patent No.:** **US D841,160 S**

(45) **Date of Patent:** **\*\* Feb. 19, 2019**

(54) **ENDOSCOPE**

(71) Applicant: **DEKA Products Limited Partnership**,  
Manchester, NH (US)

(72) Inventors: **Zachary E. Cranfield**, Manchester, NH  
(US); **David E. Collins**, Merrimac, MA  
(US); **Andrew M. Haggerty**, Derry,  
NH (US)

(73) Assignee: **DEKA Products Limited Partnership**,  
Manchester, NH (US)

(\*\*) Term: **15 Years**

(21) Appl. No.: **29/559,980**

(22) Filed: **Apr. 1, 2016**

(51) **LOC (11) Cl.** ..... **24-02**

(52) **U.S. Cl.**  
USPC ..... **D24/138**

(58) **Field of Classification Search**

USPC ..... D24/108, 117-118, 132, 133, 137, 138,  
D24/222; D16/130, 132, 136; 600/49,  
600/109, 137, 145-147  
CPC . A61B 1/000183; A61B 1/00; A61B 1/00039;  
A61B 1/00052; A61B 18/14; A61B  
18/1445

See application file for complete search history.

(56) **References Cited**

**U.S. PATENT DOCUMENTS**

D474,276 S	5/2003	Greise et al.	
D501,864 S	2/2005	Greise et al.	
D523,455 S	6/2006	Greise et al.	
D530,818 S	10/2006	Lin	
7,387,513 B2 *	6/2008	Makuta	..... A63F 13/08 434/61
D587,804 S	3/2009	Ruiz et al.	
D607,032 S	12/2009	Halleck et al.	
7,670,282 B2	3/2010	Mathis	
7,758,497 B2	7/2010	Hem	

D621,932 S *	8/2010	Sonleiter	..... D24/133
D622,124 S *	8/2010	Kegg	..... D8/83
D629,098 S *	12/2010	Sonleiter	..... D24/133
D643,534 S	8/2011	Halleck et al.	
D647,581 S *	10/2011	Batiste	..... D21/684

(Continued)

**OTHER PUBLICATIONS**

U.S. Appl. No. 14/170,080, filed Jan. 31, 2014.

(Continued)

*Primary Examiner* — Ian Simmons

*Assistant Examiner* — Yolanda Robinson

(74) *Attorney, Agent, or Firm* — Marc J. Gorayeb

(57) **CLAIM**

The ornamental design for an endoscope, as shown and described.

**DESCRIPTION**

FIG. 1 is a bottom, left side perspective view of the endoscope;

FIG. 2 is a top down view thereof;

FIG. 3 is a bottom up view thereof;

FIG. 4 is a right side view thereof;

FIG. 5 is a left side view thereof;

FIG. 6 is a front view thereof;

FIG. 7 is a back view thereof;

FIG. 8 is a bottom, left side perspective view of a second embodiment of the endoscope;

FIG. 9 is a top down view thereof;

FIG. 10 is a bottom up view thereof;

FIG. 11 is a right side view thereof;

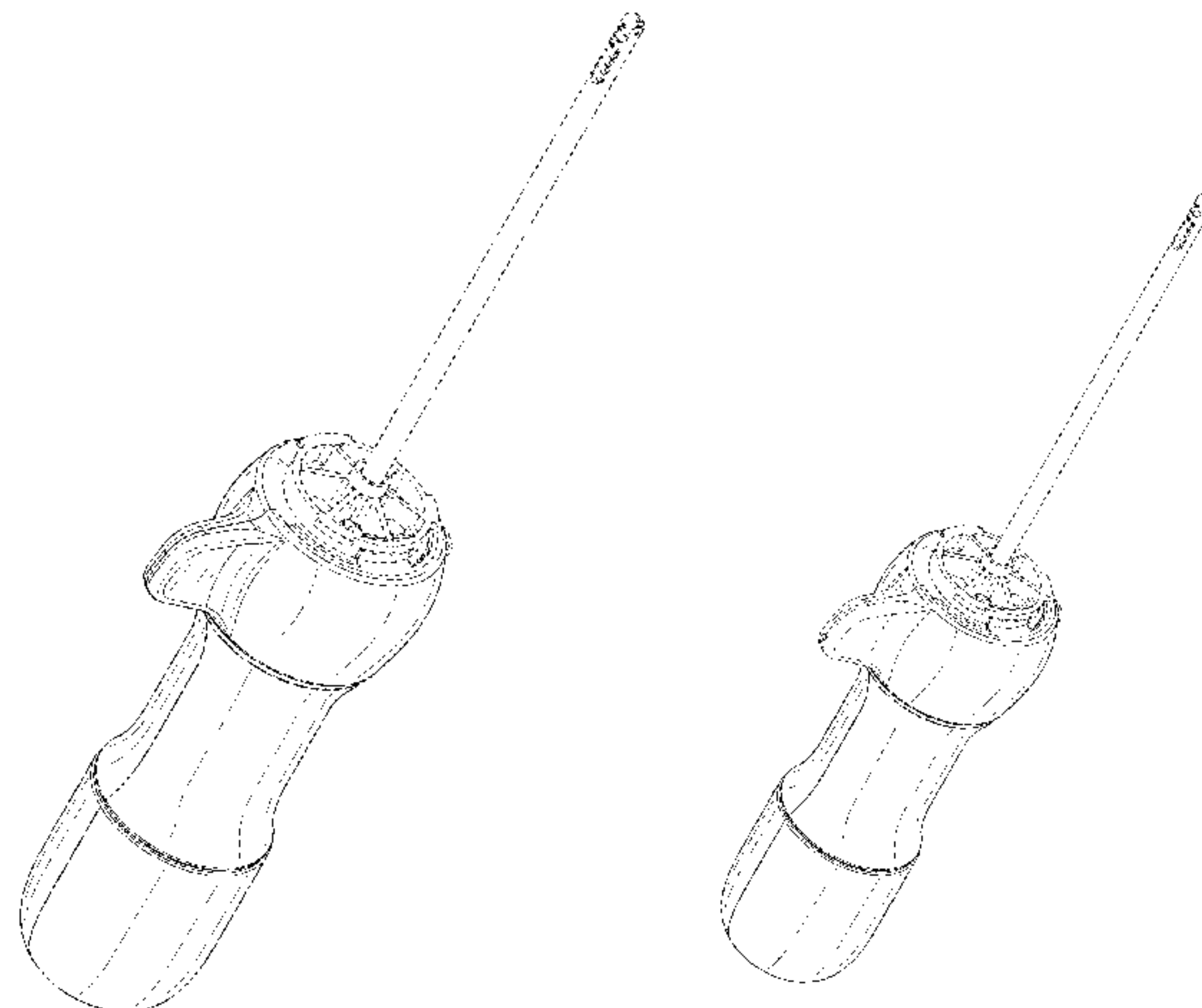
FIG. 12 is a left side view thereof;

FIG. 13 is a front view thereof; and,

FIG. 14 is a back view thereof.

The broken lines shown in FIGS. 1-14 represent unclaimed portions of the endoscope and form no part of the claimed design.

**1 Claim, 12 Drawing Sheets**



(56)

References Cited

U.S. PATENT DOCUMENTS

D673,987 S 1/2013 Mirrer  
 D693,631 S \* 11/2013 Dolvin ..... D7/393  
 D695,089 S \* 12/2013 Nelson ..... D8/83  
 D698,441 S 1/2014 Meguro et al.  
 D709,192 S 7/2014 Czapalla et al.  
 D716,942 S 11/2014 Eisenkolb et al.  
 D724,234 S \* 3/2015 Hagege ..... D24/187  
 D734,021 S \* 7/2015 Kerr ..... D3/12  
 D734,469 S \* 7/2015 Zheng ..... D24/170  
 D742,007 S \* 10/2015 Schuetz ..... D24/152  
 D745,670 S \* 12/2015 Czapalla ..... D24/138  
 D749,923 S \* 2/2016 Davis ..... D8/14  
 D753,296 S \* 4/2016 Gill ..... D24/138  
 D757,262 S \* 5/2016 Barki ..... D24/138  
 D757,264 S \* 5/2016 Eisenlauer ..... D24/138  
 D757,265 S \* 5/2016 Eisenlauer ..... D24/138  
 D762,095 S \* 7/2016 Davis ..... D8/14  
 D767,359 S \* 9/2016 Harrison ..... D8/83  
 D772,411 S \* 11/2016 Heath ..... D24/146  
 D782,956 S \* 4/2017 Scott ..... D12/400  
 9,708,024 B2 \* 7/2017 Oravec ..... B62K 11/14  
 D795,424 S \* 8/2017 Sloss ..... D24/138  
 D818,122 S \* 5/2018 Oberkircher ..... D24/133

D819,417 S \* 6/2018 Graykowski ..... D8/47  
 2005/0043682 A1 2/2005 Kucklick et al.  
 2005/0288549 A1 12/2005 Mathis  
 2007/0251975 A1 11/2007 Sonnenschein et al.  
 2007/0270766 A1 11/2007 Kucklick  
 2007/0270788 A1 11/2007 Nahen et al.  
 2008/0300456 A1 12/2008 Irion et al.  
 2011/0108397 A1 \* 5/2011 Kodaira ..... B62K 11/14  
 200/61.54  
 2012/0041265 A1 2/2012 Kucklick et al.  
 2012/0157972 A1 6/2012 Kucklick  
 2012/0289784 A1 11/2012 Kucklick  
 2013/0267784 A1 10/2013 Andreassen et al.  
 2014/0357952 A1 \* 12/2014 Krohn ..... A61B 1/00183  
 600/112  
 2016/0220099 A1 \* 8/2016 Schouwink ..... A61B 1/00096  
 2016/0256038 A1 \* 9/2016 Goldfarb ..... A61B 1/00066

OTHER PUBLICATIONS

U.S. Appl. No. 29/481,097, filed Jan. 31, 2014, U.S. Pat. No. D.  
 753,296.  
 U.S. Appl. No. 29/538,153, filed Sep. 1, 2015.

\* cited by examiner

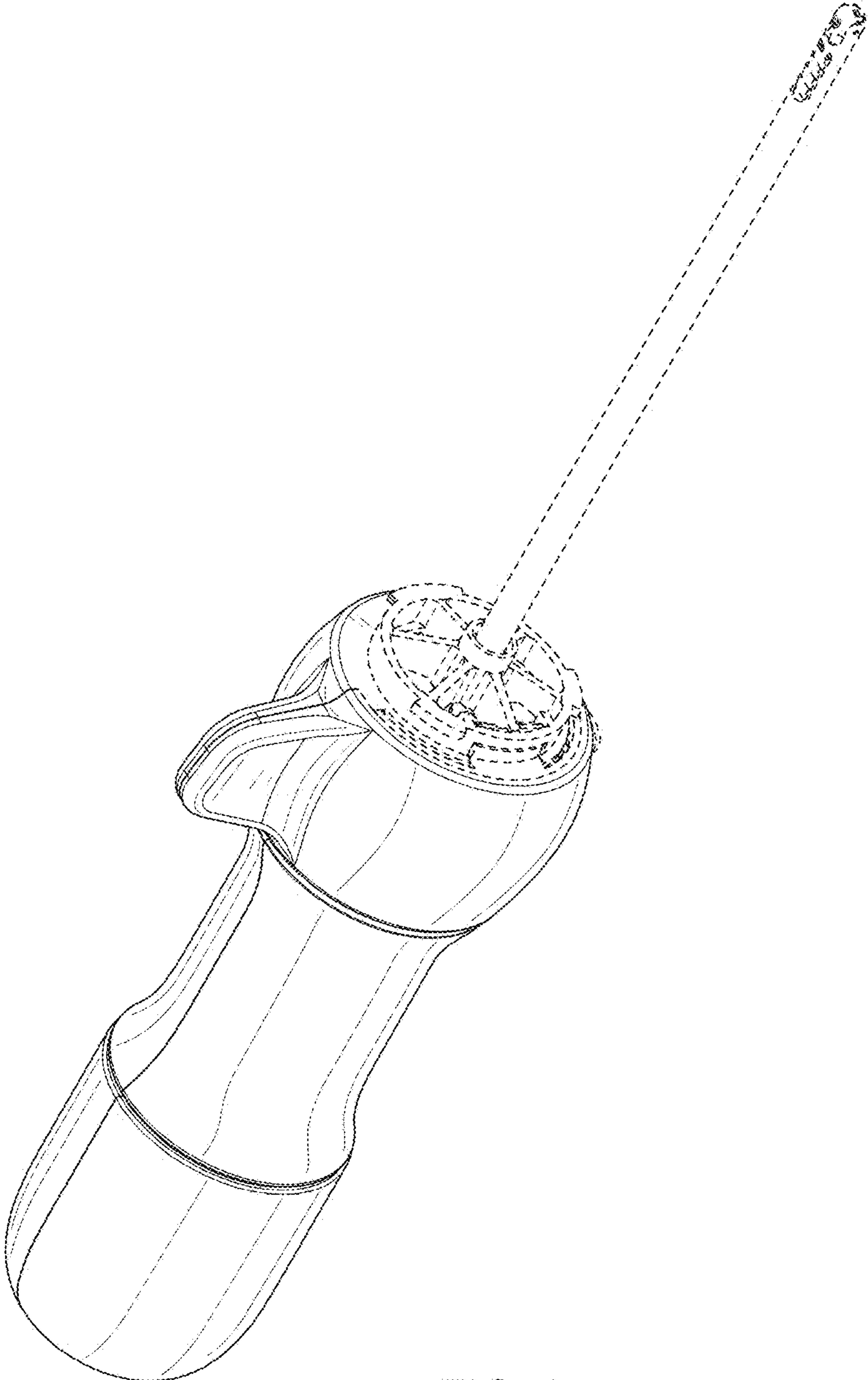


FIG. 1

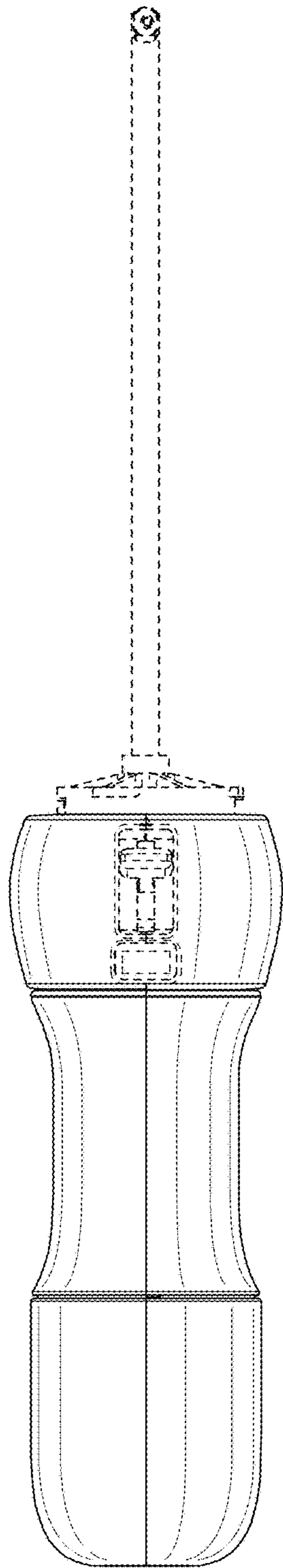


FIG. 2

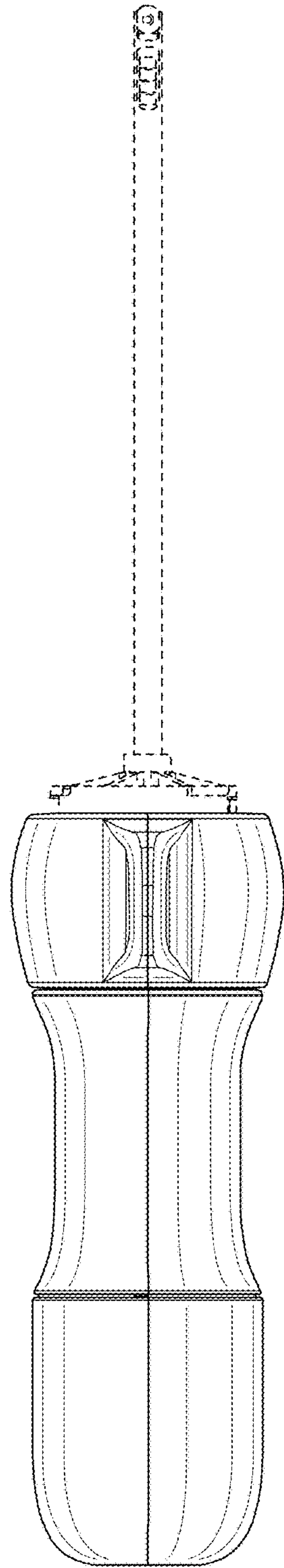


FIG. 3

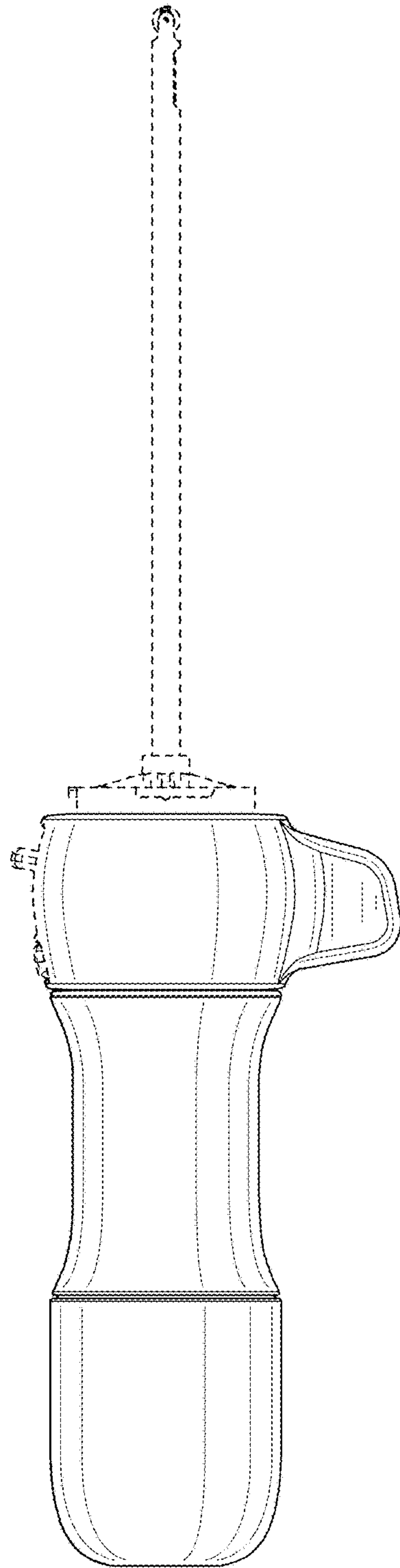


FIG. 4



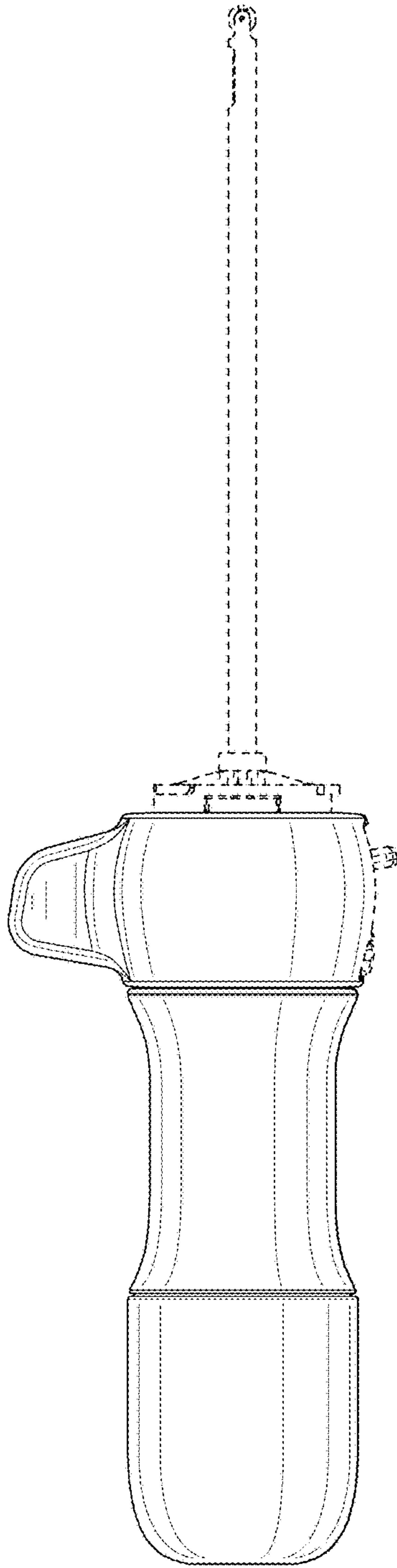


FIG. 5

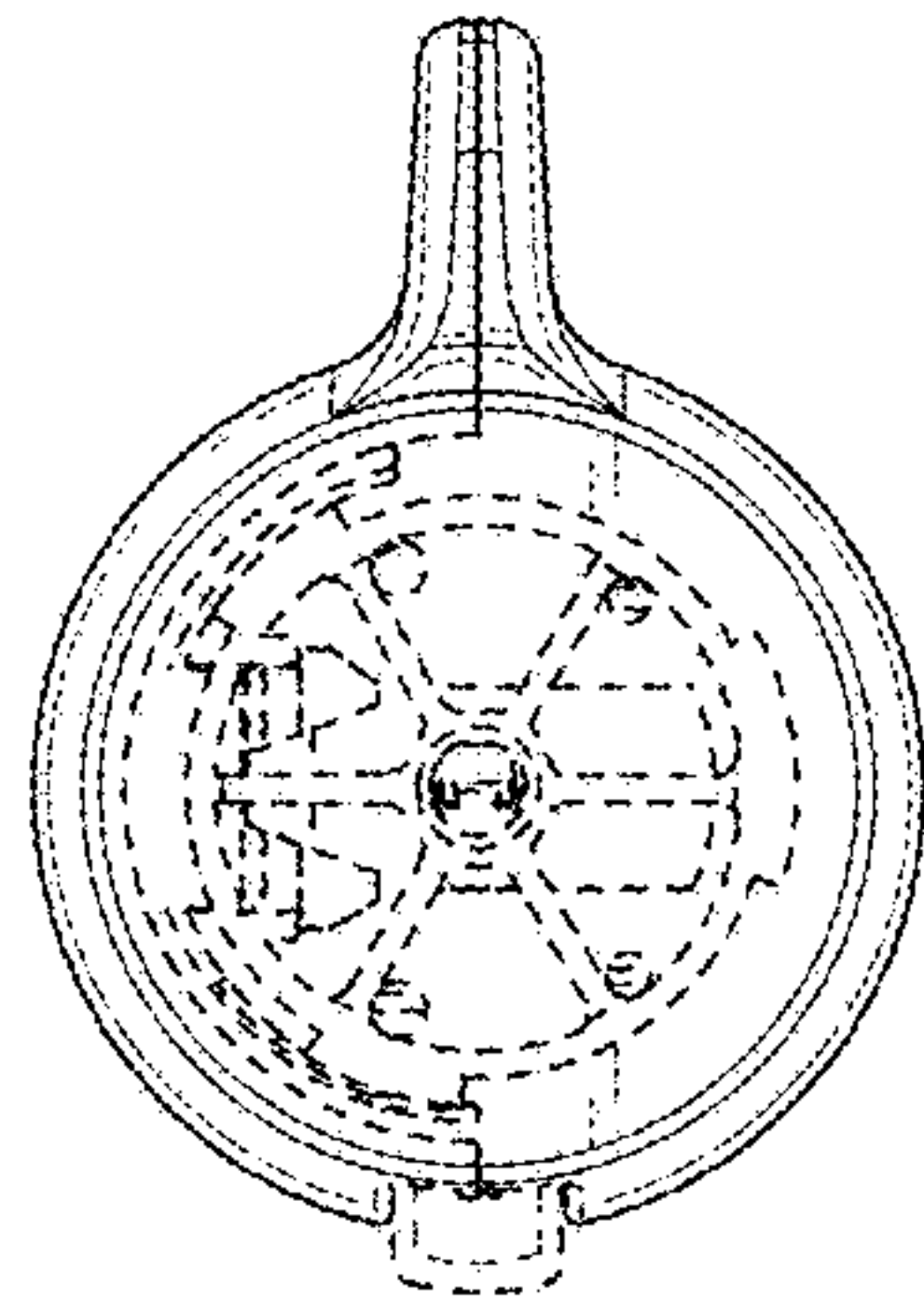


FIG. 6

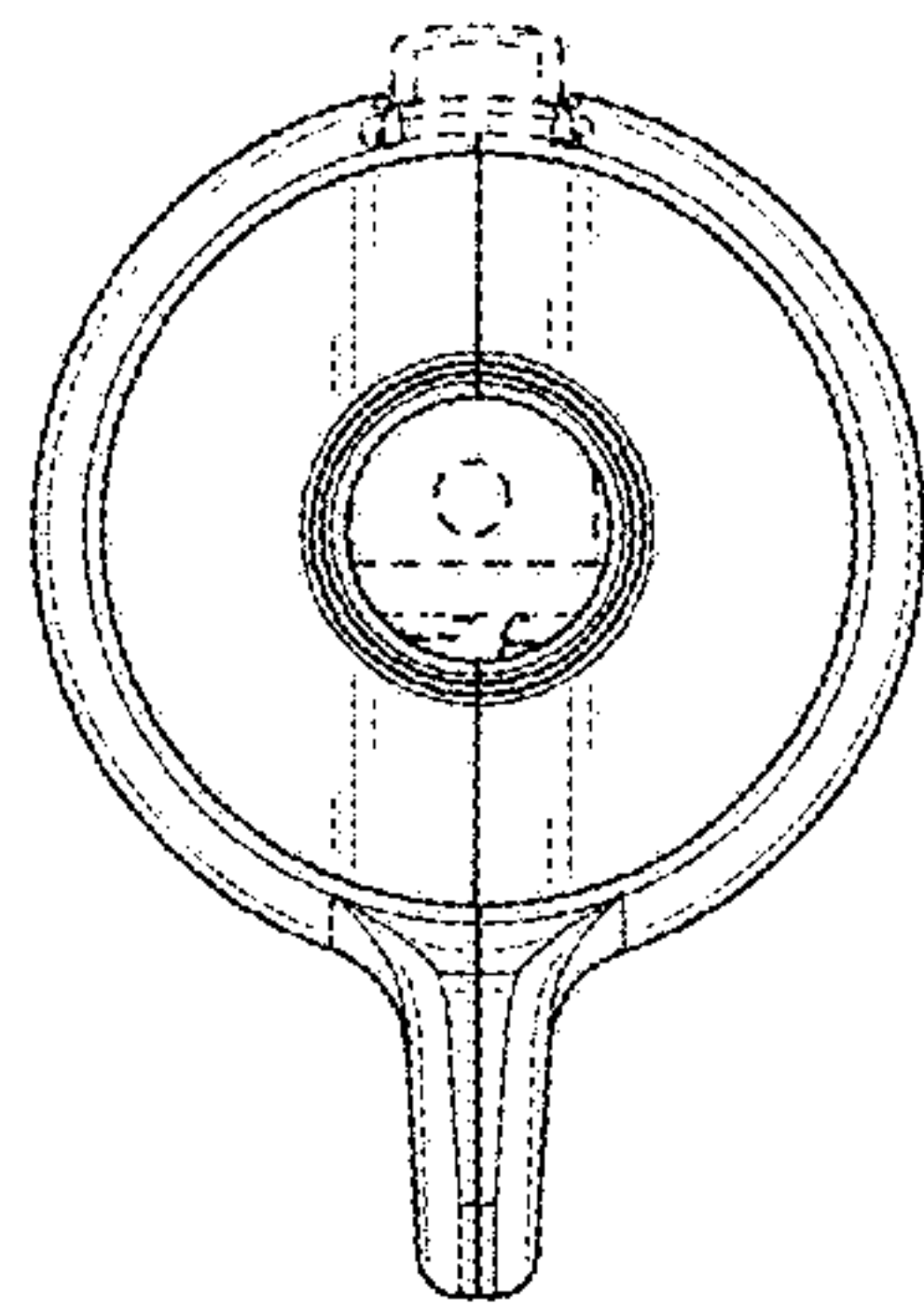


FIG. 7



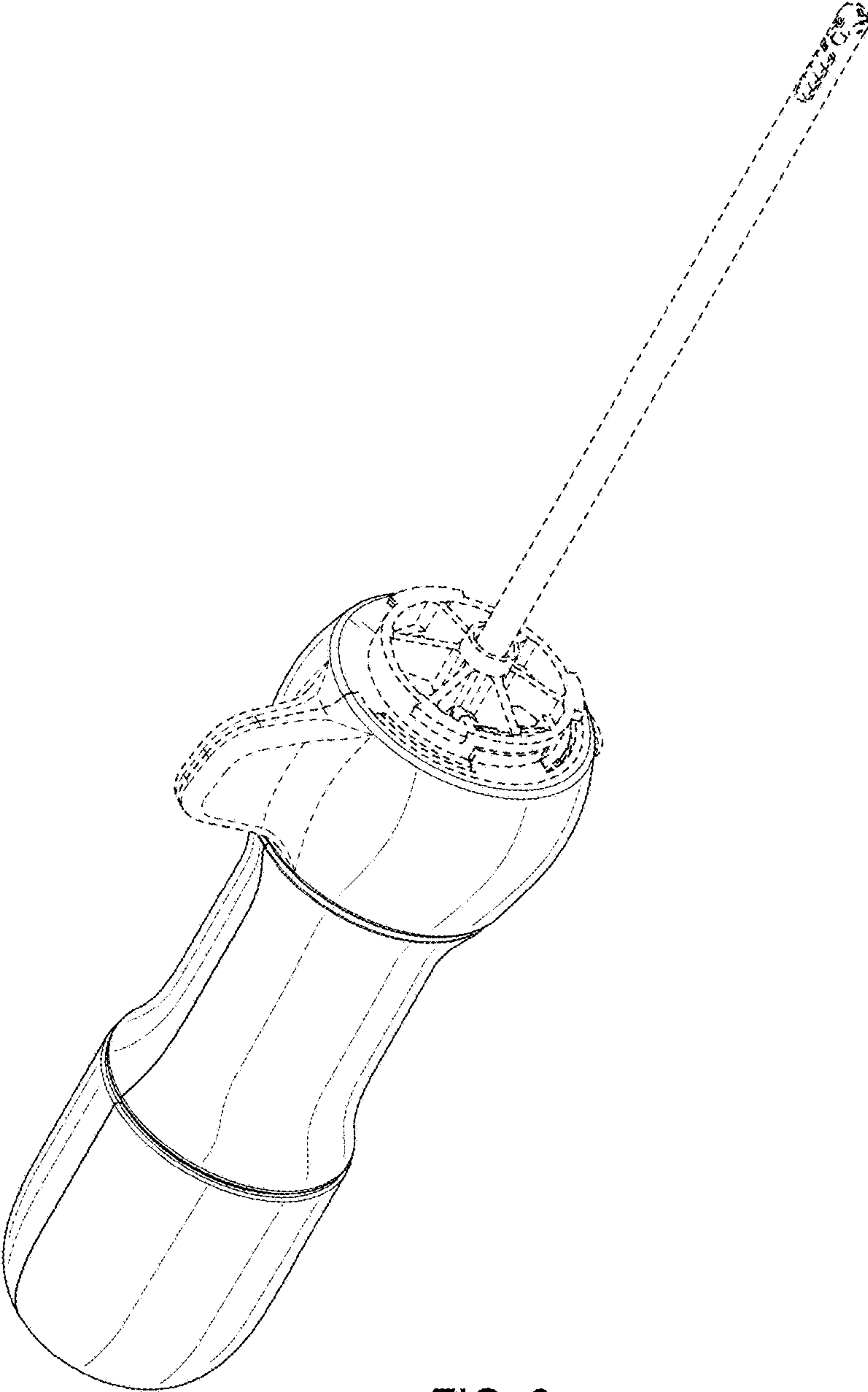


FIG. 8

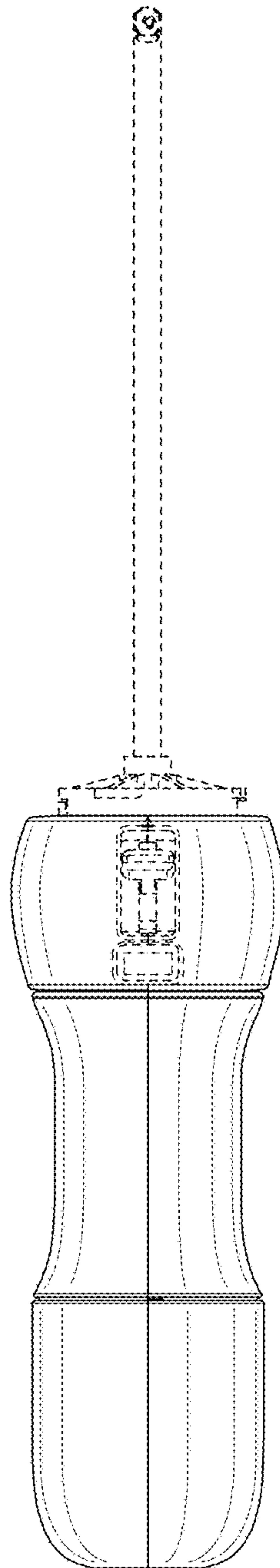


FIG. 9

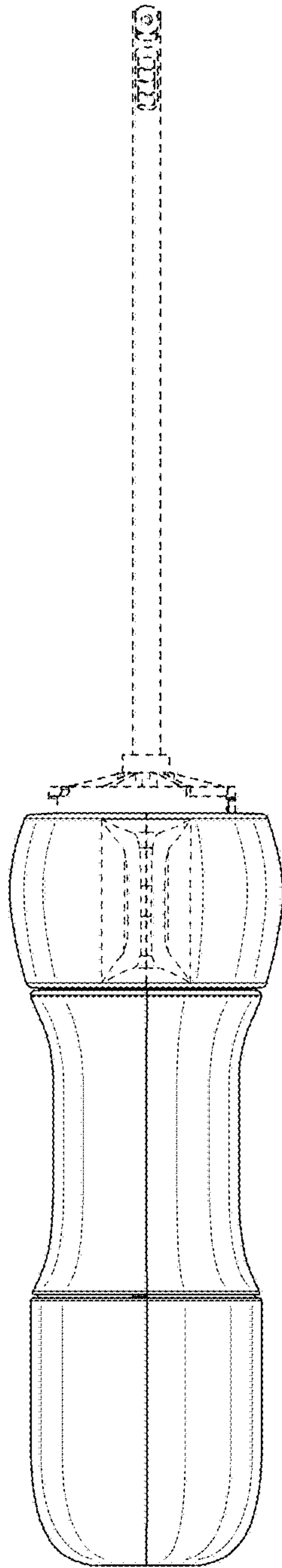


FIG. 10

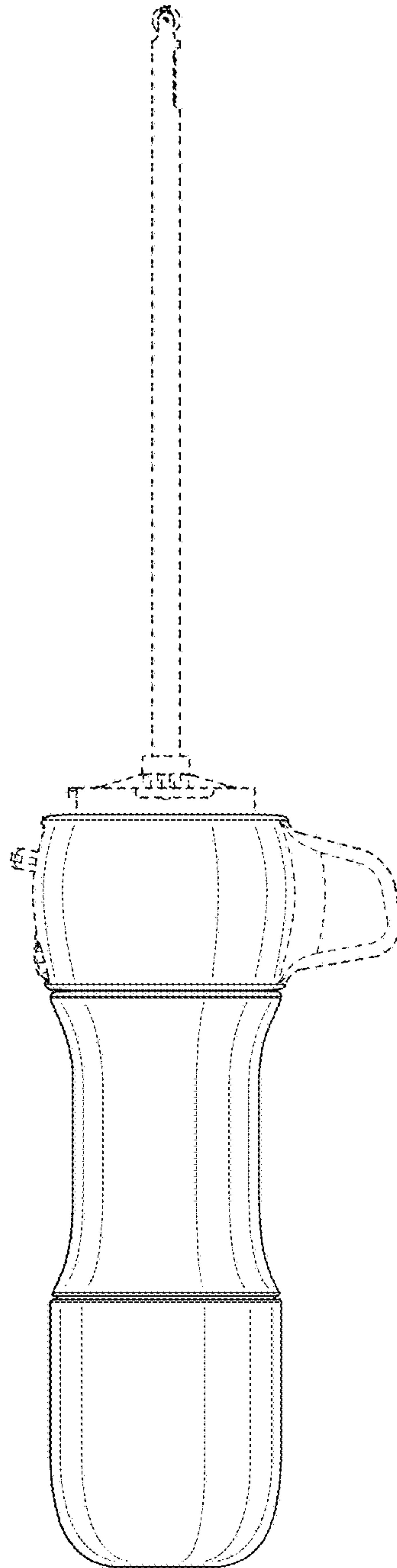


FIG. 11

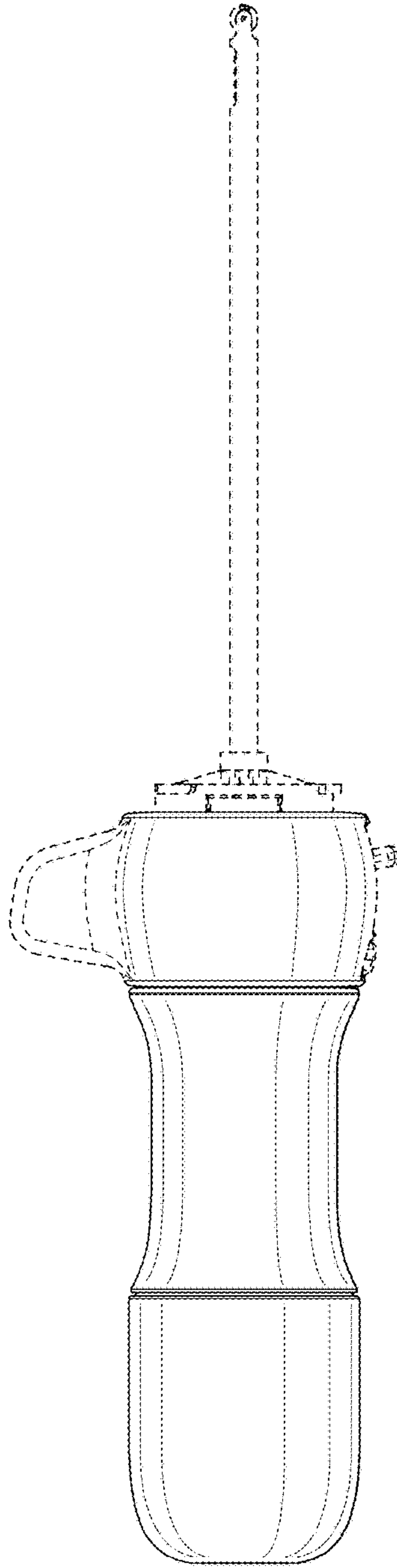


FIG. 12

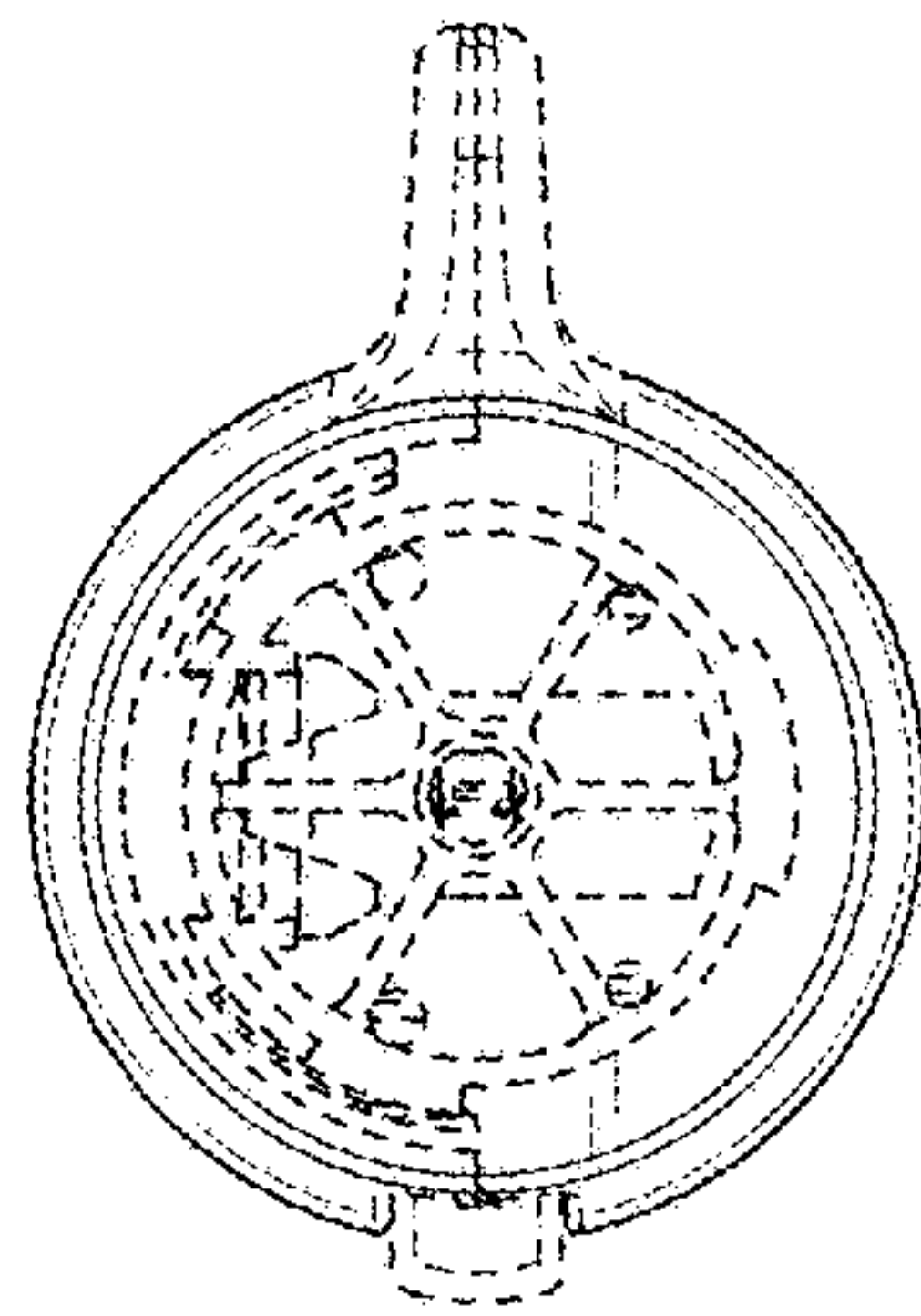


FIG. 13

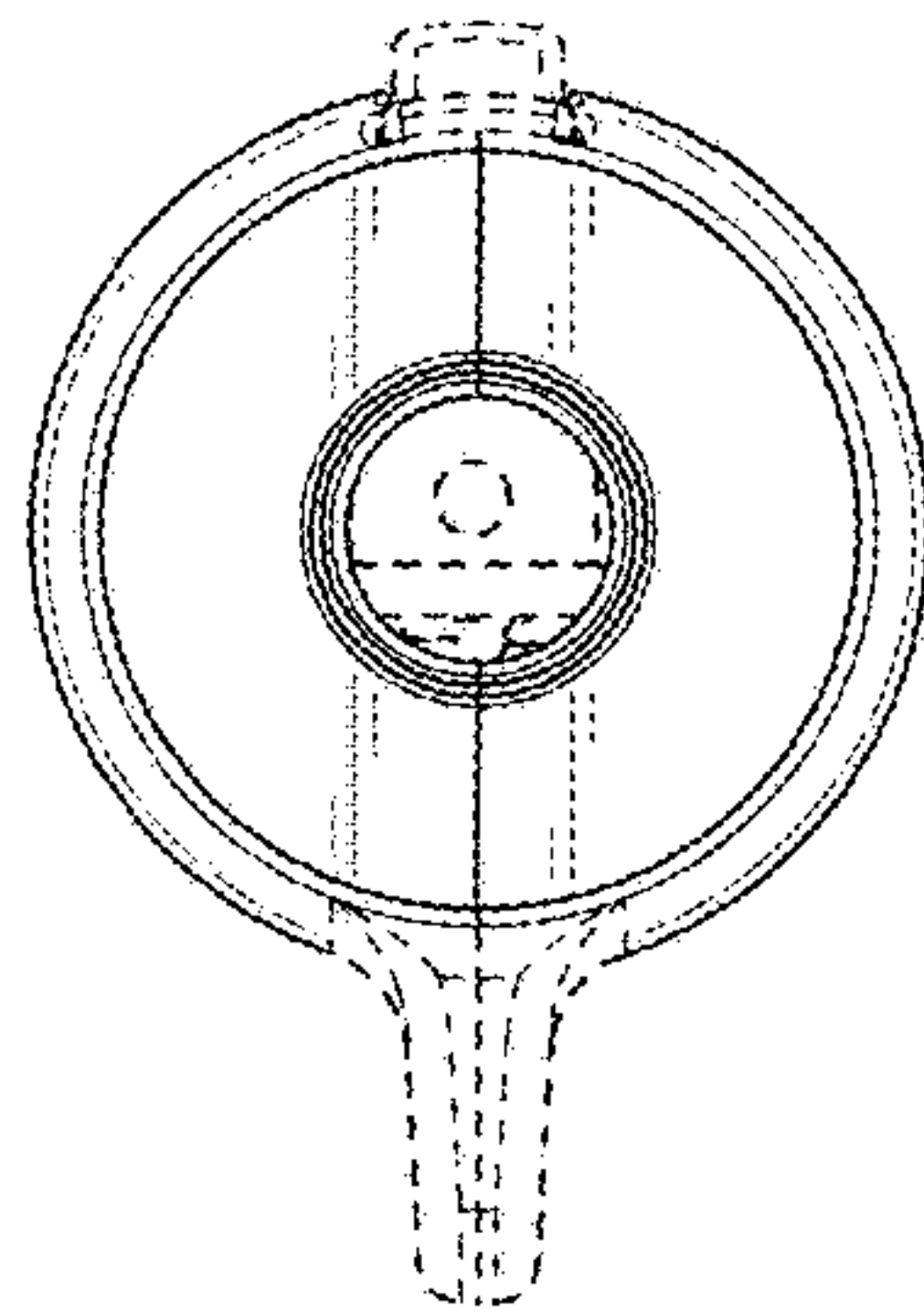


FIG. 14