



US00D841159S

(12) **United States Design Patent**
Tanaka et al.

(10) **Patent No.:** **US D841,159 S**

(45) **Date of Patent:** **** Feb. 19, 2019**

- (54) **OPERATING GRIP FOR ENDOSCOPE**
- (71) Applicant: **FUJIFILM Corporation**, Tokyo (JP)
- (72) Inventors: **Kunihiko Tanaka**, Kanagawa (JP);
Koji Yoshida, Kanagawa (JP)
- (73) Assignee: **FUJIFILM Corporation**, Tokyo (JP)
- (**) Term: **15 Years**
- (21) Appl. No.: **29/547,524**
- (22) Filed: **Dec. 4, 2015**

- D646,947 S * 10/2011 Lopano D8/68
- D647,774 S * 11/2011 Okuda D8/68
- D668,762 S * 10/2012 Makowski D24/138
- D669,174 S * 10/2012 Makowski D24/138
- D669,175 S * 10/2012 Makowski D24/138
- D698,921 S * 2/2014 Koennecke D24/138
- 8,858,427 B2 * 10/2014 Yamazaki A61B 1/00066
600/104
- D716,942 S * 11/2014 Eisenkolb D24/138
- D718,442 S * 11/2014 Yoshida D24/138
- D718,443 S * 11/2014 Yoshida D24/138
- D718,444 S * 11/2014 Yoshida D24/138
- D718,445 S * 11/2014 Yoshida D24/138
- D718,446 S * 11/2014 Yoshida D24/138
- D718,447 S * 11/2014 Yoshida D24/138
- D749,216 S * 2/2016 Schepperhyn D24/139

(Continued)

(30) **Foreign Application Priority Data**

- Jun. 12, 2015 (JP) 2015-013096
- Jun. 12, 2015 (JP) 2015-013097

(51) **LOC (11) Cl.** **24-02**

(52) **U.S. Cl.**
USPC **D24/138**

(58) **Field of Classification Search**
USPC D24/108, 112, 127, 129, 133, 138, 152,
D24/170, 222; D8/68, 71, 83; D15/140;
600/145-147, 101, 131
CPC A61B 2018/00577; A61B 2218/002; A61B
2218/007; A61M 1/008; A61M 1/0064;
A61M 1/0086
See application file for complete search history.

(56) **References Cited**

U.S. PATENT DOCUMENTS

- D393,318 S * 4/1998 Wolter D24/133
- D419,847 S * 2/2000 Chen D8/83
- D533,276 S * 12/2006 Nakanishi D24/152
- D600,524 S * 9/2009 Lai D8/83
- D609,543 S * 2/2010 Misaki D8/68
- D610,422 S * 2/2010 Houghton D8/68
- D625,164 S * 10/2010 Aglassinger D8/68
- D638,937 S * 5/2011 Tanaka D24/138

Primary Examiner — Ian Simmons

Assistant Examiner — Yolanda Robinson

(74) *Attorney, Agent, or Firm* — Young & Thompson

(57) **CLAIM**

The ornamental design for an operating grip for endoscope, as shown and described.

DESCRIPTION

FIG. 1 is a top, front and left side perspective view of an operating grip for endoscope showing a first embodiment of my new design;

FIG. 2 is a bottom, front and left side perspective view thereof;

FIG. 3 is a front elevational view thereof;

FIG. 4 is a rear elevational view thereof;

FIG. 5 is a top plan view thereof;

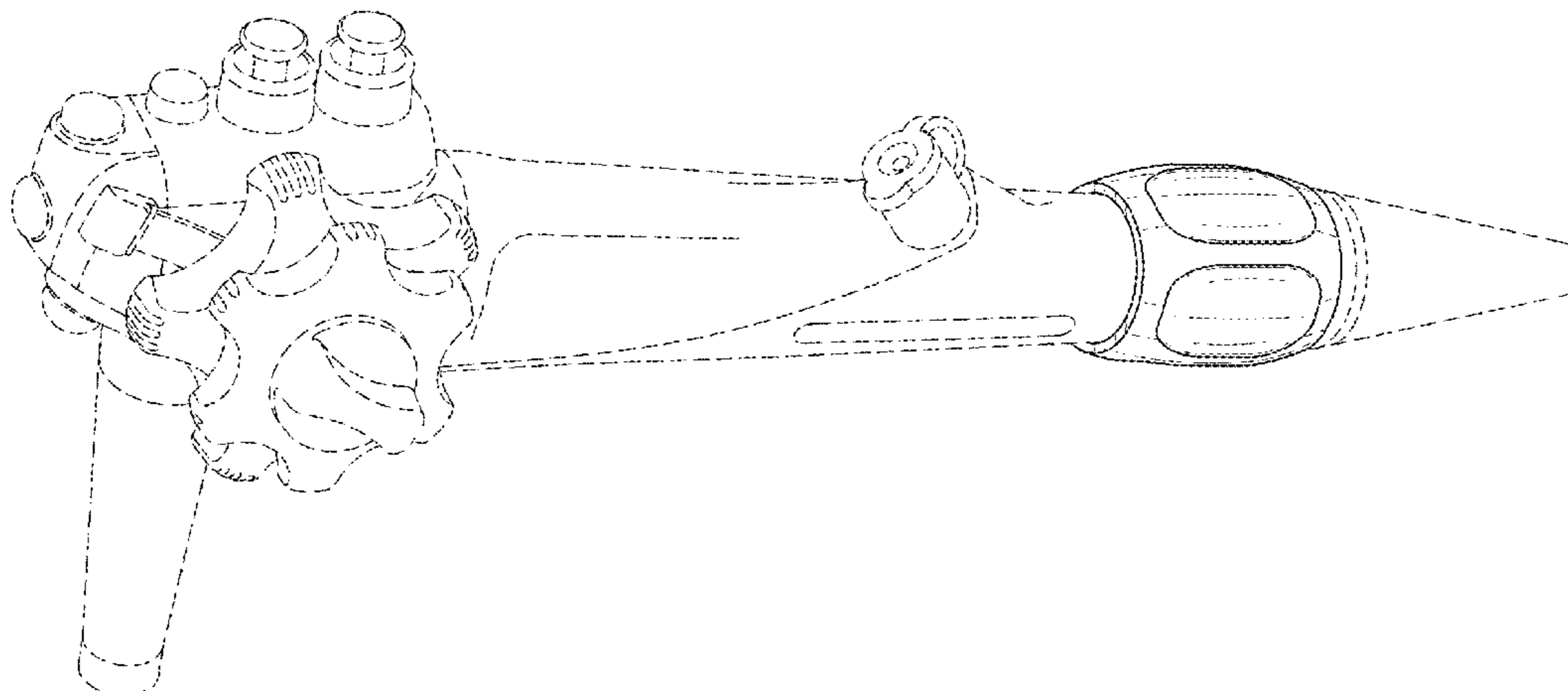
FIG. 6 is a bottom plan view thereof;

FIG. 7 is a left side elevational view thereof; and,

FIG. 8 is a right side elevational view thereof.

The broken line portions of the operating grip for endoscope throughout the drawings are shown to illustrate environment only and form no part of the claimed design.

1 Claim, 8 Drawing Sheets



(56)

References Cited

U.S. PATENT DOCUMENTS

D750,235 S * 2/2016 Maurice D24/129
 D750,236 S * 2/2016 Maurice D24/129
 D753,298 S * 4/2016 Hayamizu D24/138
 D753,823 S * 4/2016 Hayamizu D24/138
 9,393,140 B2 * 7/2016 Argentine A61F 2/966
 D777,328 S * 1/2017 Tanaka D24/138
 D782,667 S * 3/2017 Fuhr D24/137
 D782,668 S * 3/2017 Fuhr D24/137
 D782,669 S * 3/2017 Fuhr D24/137
 D788,201 S * 5/2017 Pilz D10/46
 D791,310 S * 7/2017 Maurice D24/129
 D791,940 S * 7/2017 Maurice D24/129
 9,723,973 B2 * 8/2017 Dillon A61B 1/0014
 9,924,855 B2 * 3/2018 Schwarz A61B 1/0052
 D820,441 S * 6/2018 Ketelhohn A61B 17/22012
 D24/127
 D820,980 S * 6/2018 Maurice D24/129
 9,986,900 B2 * 6/2018 Koitabashi A61B 1/00066
 10,039,439 B2 * 8/2018 Aoyama A61B 1/0638
 2009/0076330 A1 * 3/2009 Ashida A61B 1/0052
 600/146
 2010/0022837 A1 * 1/2010 Ishiguro A61B 17/29
 600/127
 2011/0028787 A1 * 2/2011 Tabuchi A61B 1/122
 600/131

2011/0295069 A1 * 12/2011 Ouchi A61B 1/0057
 600/146
 2013/0190567 A1 * 7/2013 Miyoshi A61B 1/0052
 600/137
 2014/0066716 A1 * 3/2014 Arai A61B 1/0052
 600/149
 2014/0221751 A1 * 8/2014 Schwarz A61B 1/0052
 600/146
 2015/0351610 A1 * 12/2015 Fan A61B 1/0055
 600/148
 2015/0359415 A1 * 12/2015 Lang A61B 1/0052
 600/141
 2015/0374263 A1 * 12/2015 Kuramoto G06T 7/0012
 600/477
 2016/0220097 A1 * 8/2016 Ohno A61B 1/00006
 2016/0231255 A1 * 8/2016 Funakoshi A61B 1/0052
 2016/0235340 A1 * 8/2016 Sidar A61B 5/065
 2016/0239965 A1 * 8/2016 Kuramoto G02B 23/24
 2016/0270632 A1 * 9/2016 Tsuruta A61B 8/08
 2016/0296107 A1 * 10/2016 Kubo F21V 9/30
 2016/0309988 A1 * 10/2016 Smith A61B 1/018
 2016/0309993 A1 * 10/2016 Hosogoe A61B 1/00098
 2016/0309994 A1 * 10/2016 Kuwae A61B 1/00091
 2016/0310043 A1 * 10/2016 Levi A61B 5/1076
 2016/0323531 A1 * 11/2016 Okura H04N 5/2256
 2017/0354429 A1 * 12/2017 Ketelhohn A61B 17/22012

* cited by examiner

FIG.1

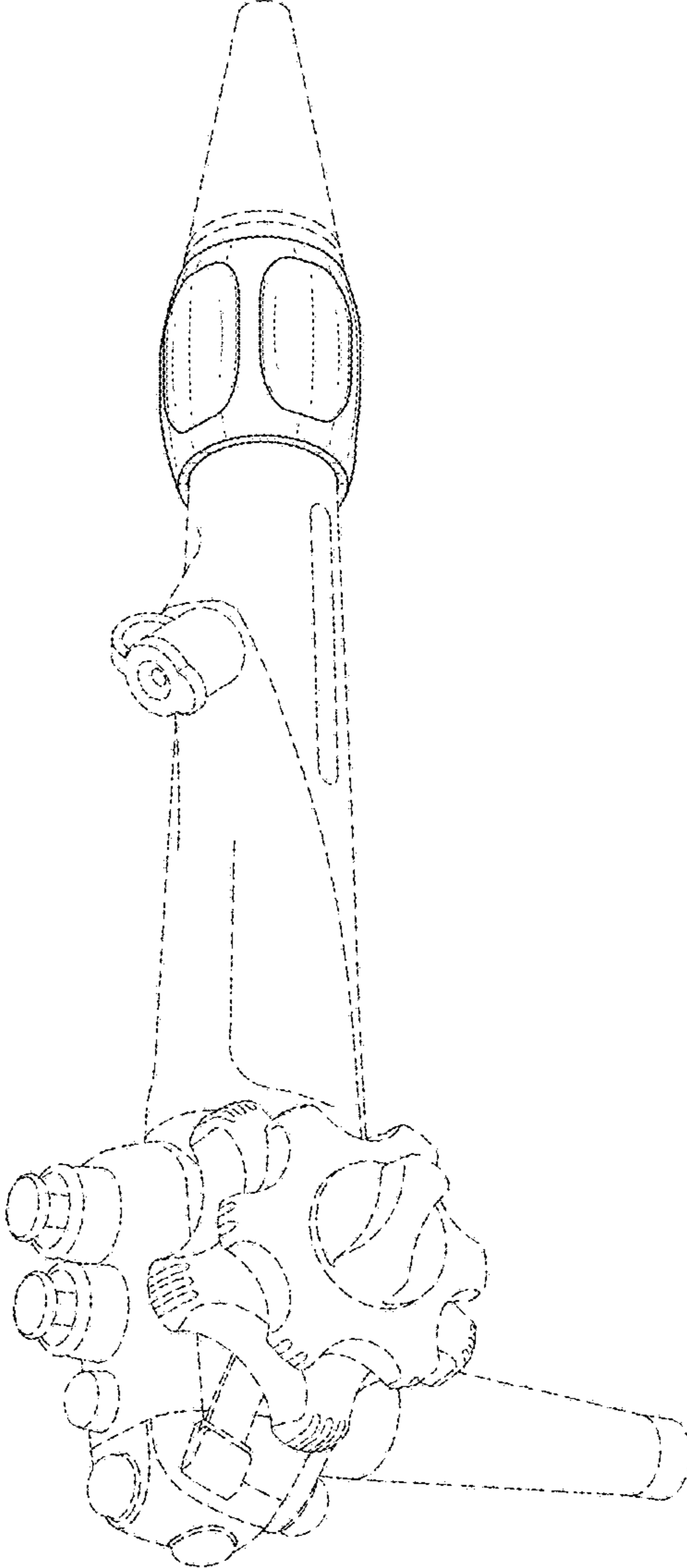


FIG.2

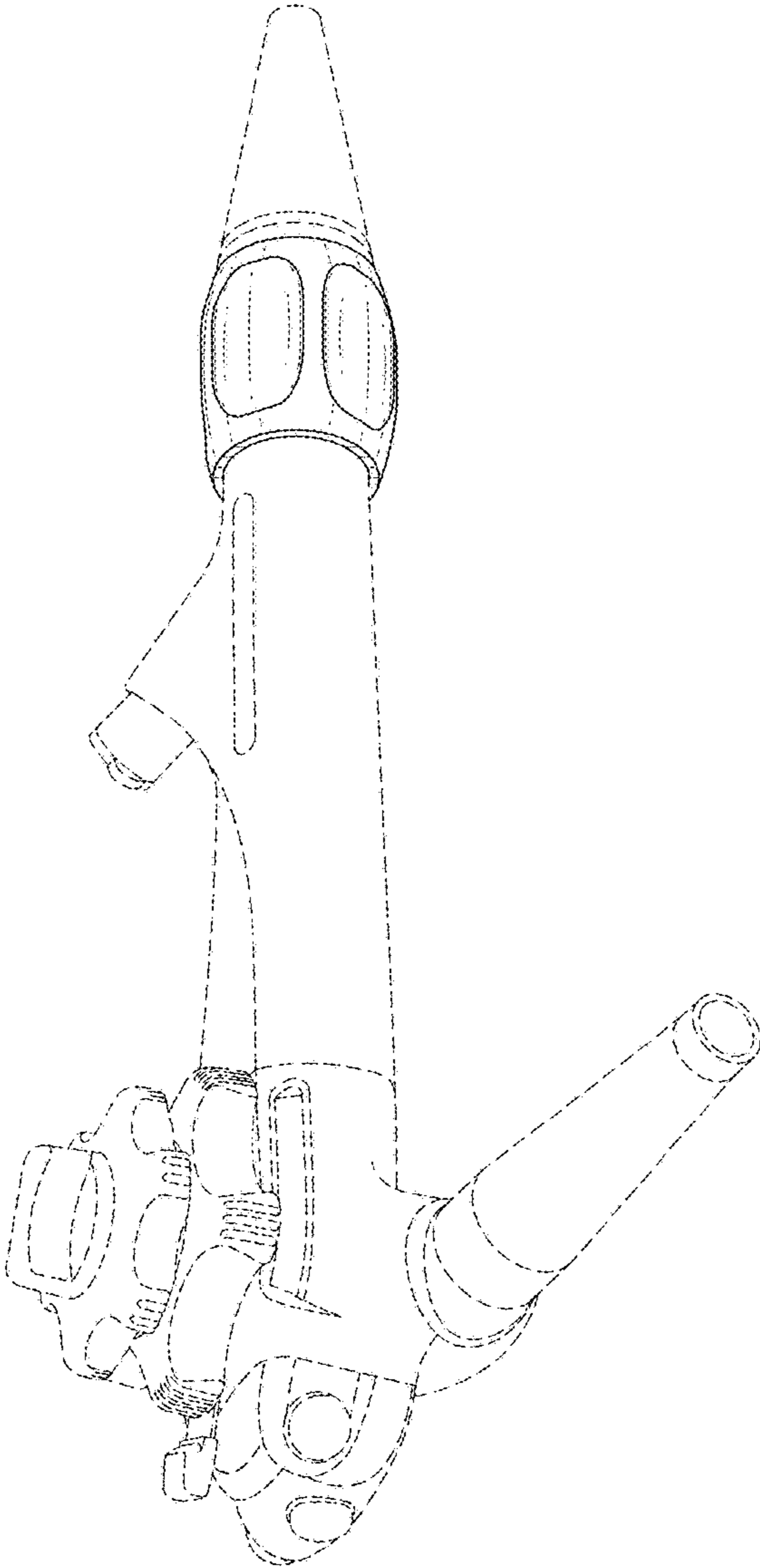


FIG.3

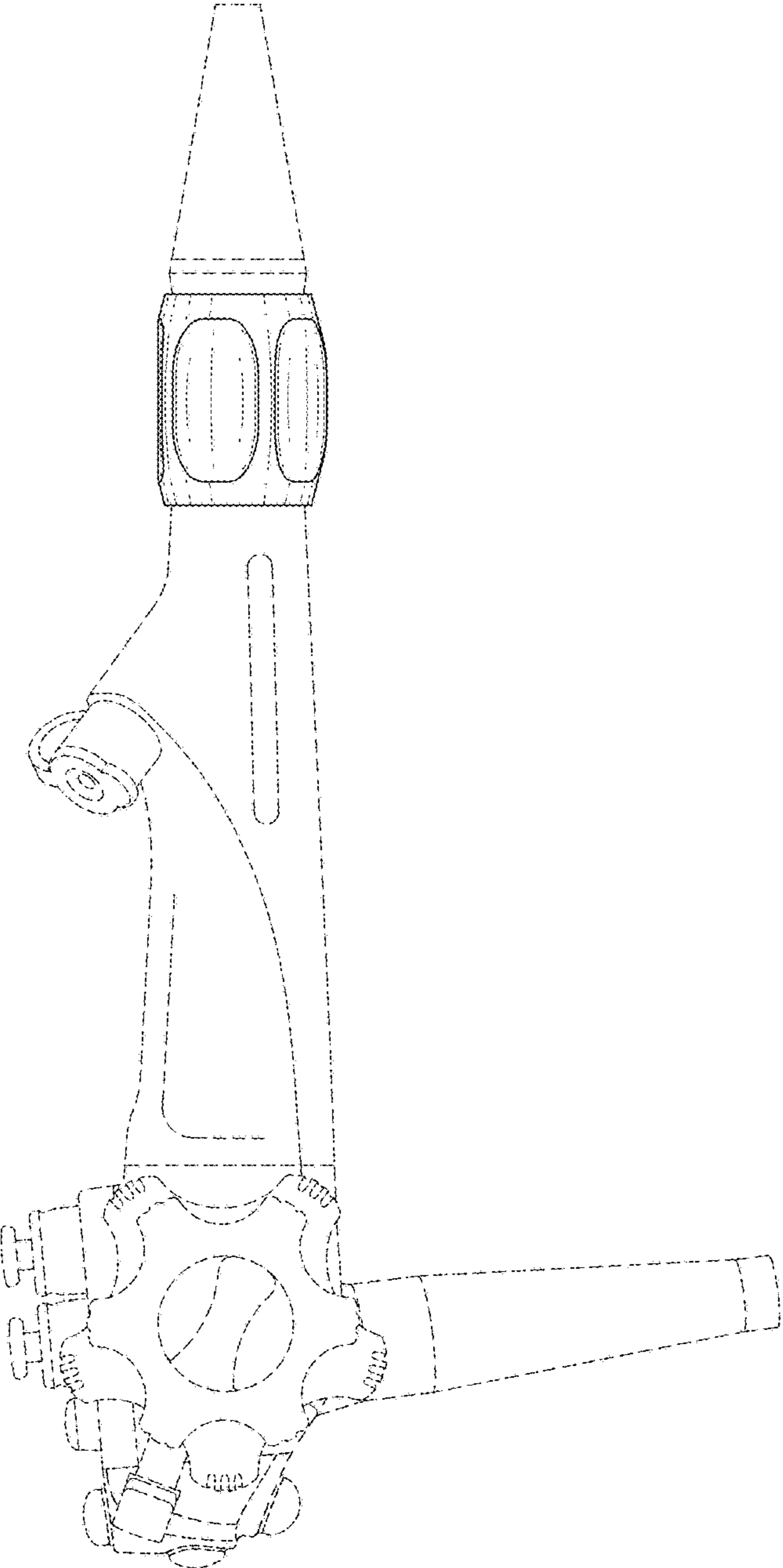


FIG.4

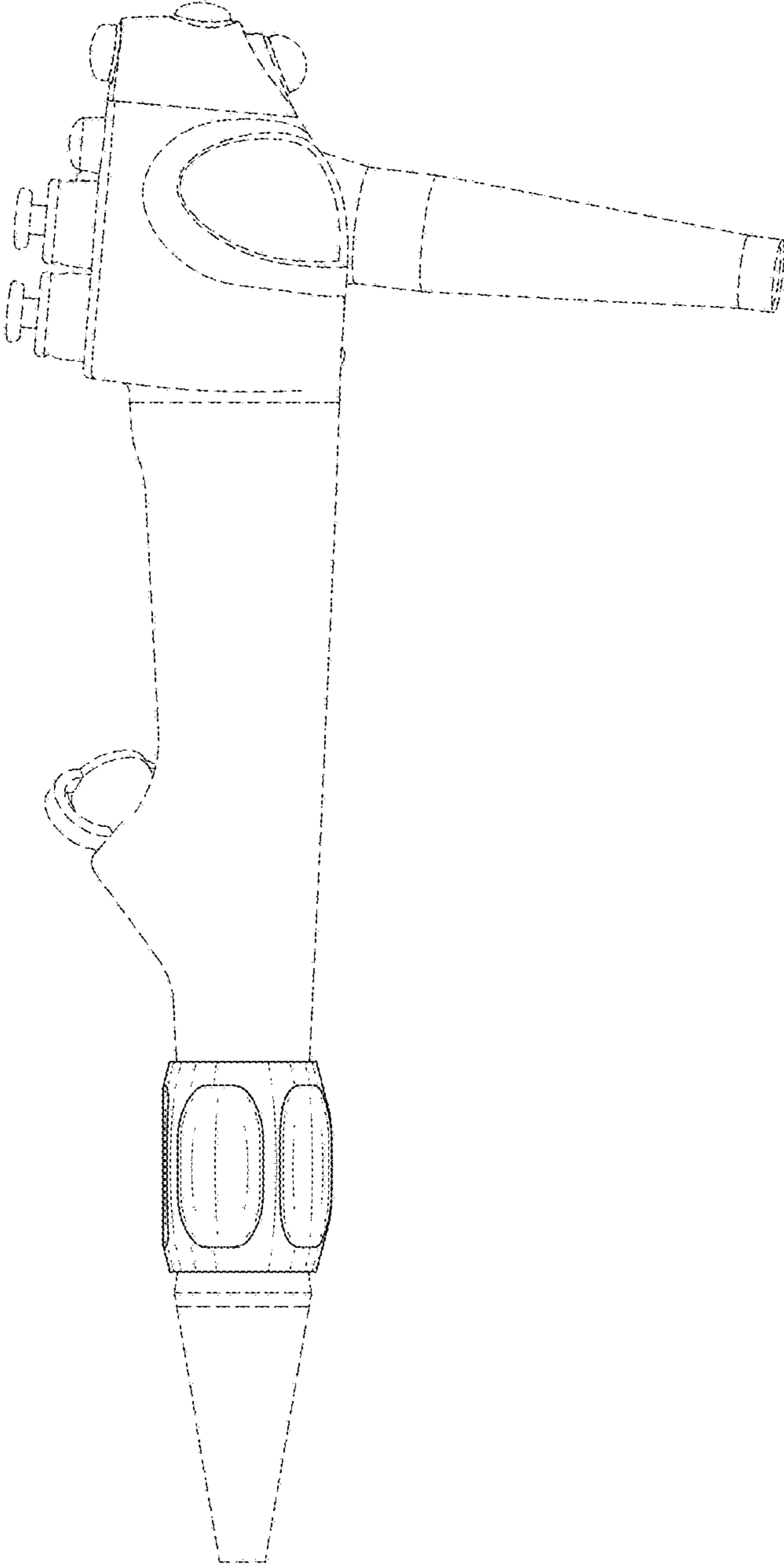


FIG.5

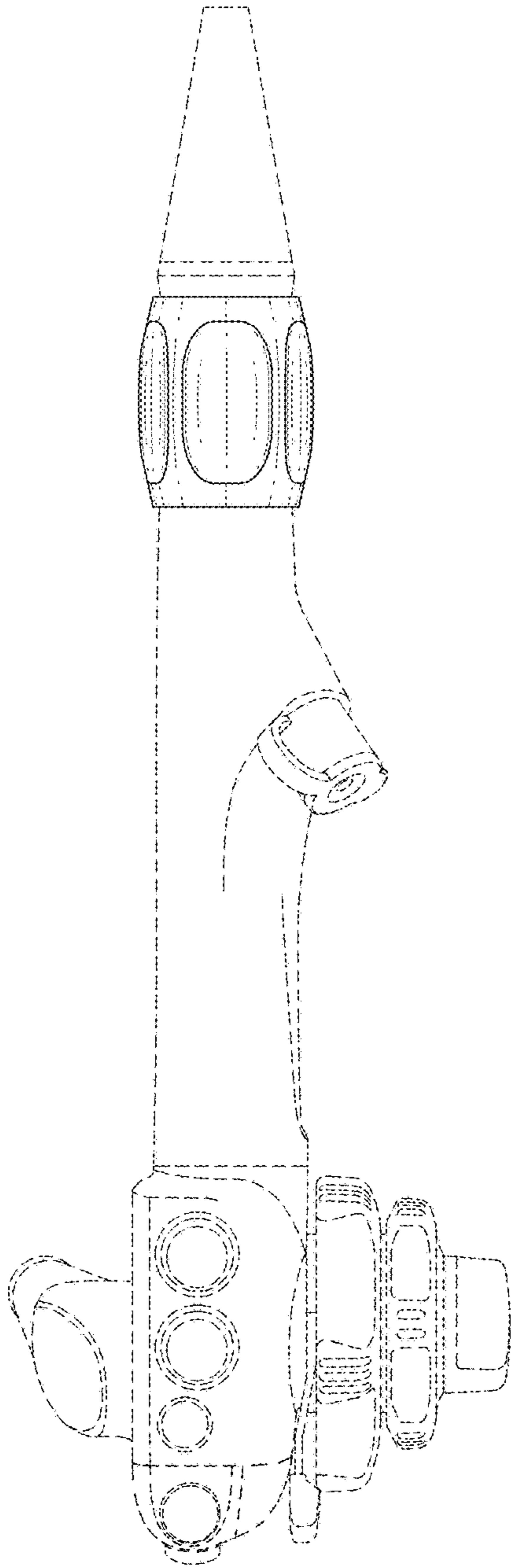


FIG.6

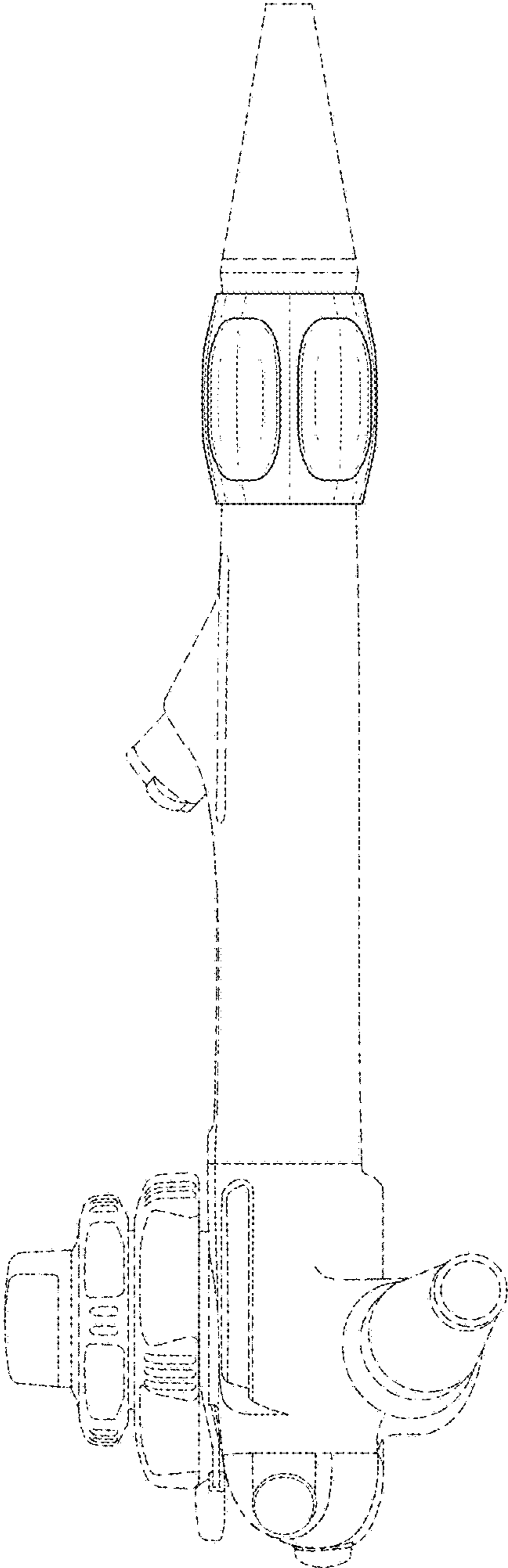


FIG. 7

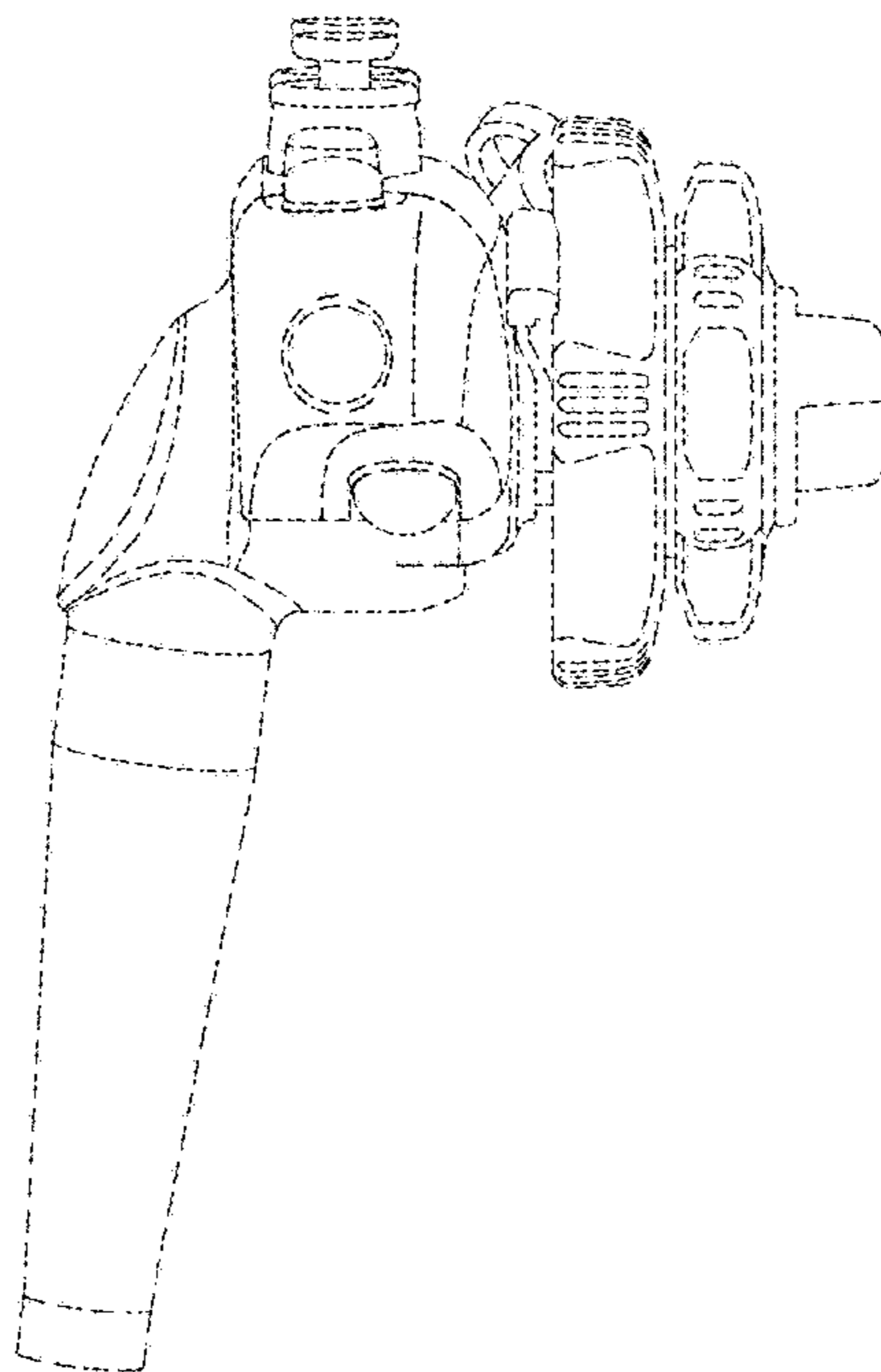


FIG.8

