



US00D841154S

(12) **United States Design Patent** (10) **Patent No.:** **US D841,154 S**
Turturro et al. (45) **Date of Patent:** **** Feb. 19, 2019**

- (54) **CONNECTOR**
- (71) Applicant: **Medline Industries, Inc.**, Northfield, IL (US)
- (72) Inventors: **Michael Turturro**, Arlington Heights, IL (US); **Gail Gewirtz**, Northbrook, IL (US); **Craig Claussen**, Schaumburg, IL (US); **Christopher Schall**, Lake Villa, IL (US)
- (73) Assignee: **Medline Industries, Inc.**, Northfield, IL (US)

- 3,987,930 A 10/1976 Fuson
 - D298,605 S 11/1988 Colgan
 - D321,251 S 10/1991 Jepson
 - D327,318 S 6/1992 Dudar
 - 5,455,180 A * 10/1995 Reid B01L 3/50825
215/247
 - 5,501,426 A * 3/1996 Atkinson A61M 39/045
251/149.1
 - D381,911 S 8/1997 Lathrop
 - 5,685,866 A * 11/1997 Lopez A61M 5/14
604/249
 - 5,810,167 A 9/1998 Fujii
 - D425,677 S 5/2000 Williamson
- (Continued)

- (**) Term: **15 Years**
- (21) Appl. No.: **29/610,165**
- (22) Filed: **Jul. 10, 2017**

Related U.S. Application Data

- (60) Continuation of application No. 29/548,758, filed on Dec. 16, 2015, now Pat. No. Des. 796,035, which is a division of application No. 29/473,719, filed on Nov. 25, 2013, now Pat. No. Des. 746,446.
- (51) **LOC (11) Cl.** **24-01**
- (52) **U.S. Cl.**
USPC **D24/129**
- (58) **Field of Classification Search**
USPC D24/127-131, 112-114, 133, 186;
606/181, 185; 604/264, 272, 115, 232,
604/187, 158, 164.08, 192, 263, 163, 181,
604/184, 198, 227; 600/101, 139, 143;
128/200.24, 207.14, 207.15
CPC A61M 39/14
See application file for complete search history.

(56) **References Cited**

U.S. PATENT DOCUMENTS

- 3,589,983 A 6/1971 Holderith
- D239,020 S 3/1976 Manschot

OTHER PUBLICATIONS

Connector believed to be made by Cedic SRL in Peschiera Borromeo, Milan, Italy presently believed to be publicly available at least as of Aug. 2013.

Primary Examiner — David G Muller
Assistant Examiner — Nathan M Johnston
(74) *Attorney, Agent, or Firm* — Fitch, Even, Tabin & Flannery LLP

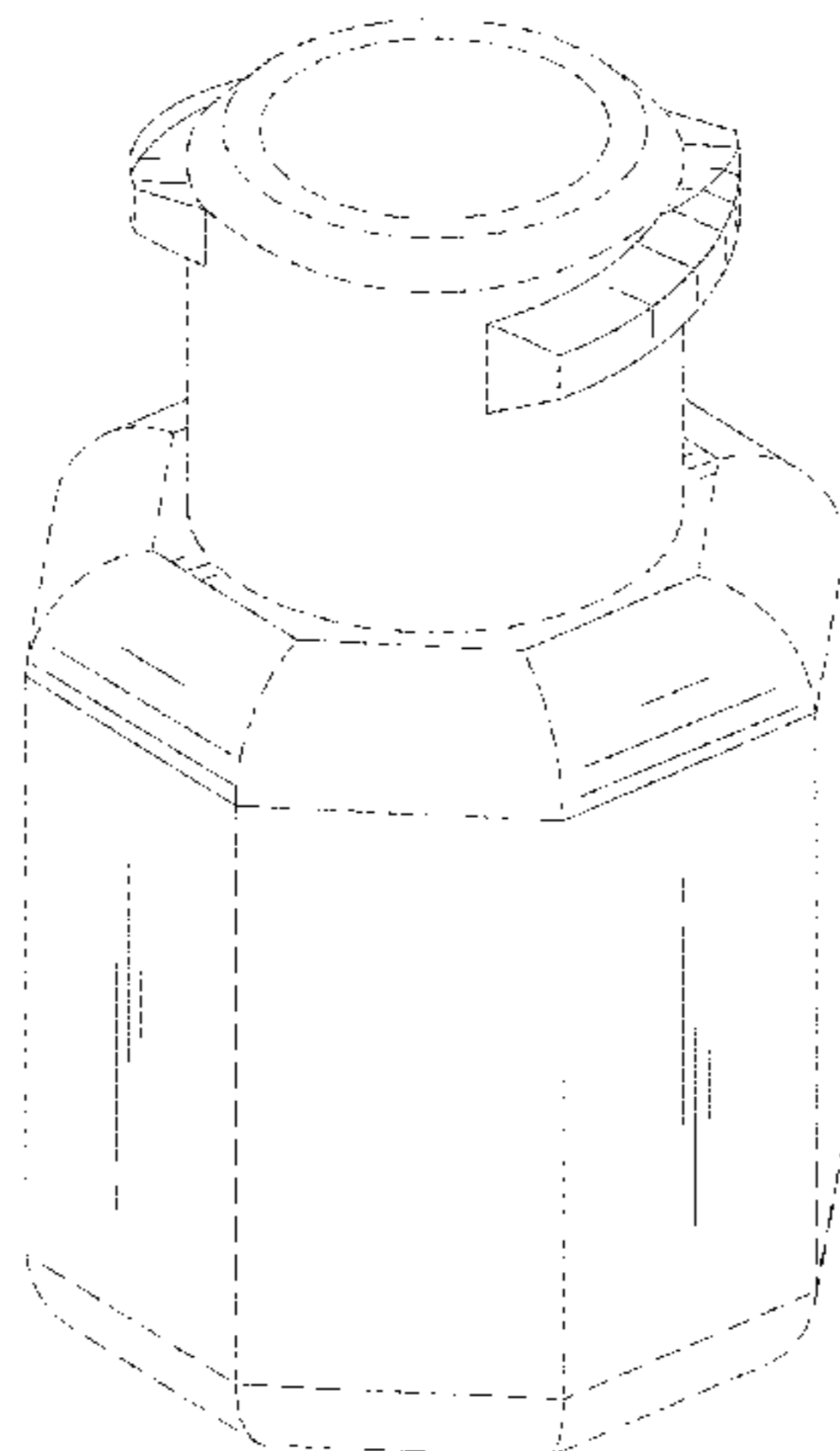
(57) **CLAIM**

We claim the ornamental design for a connector, as shown and described.

DESCRIPTION

FIG. 1 is a perspective view of a connector in accordance with our new design;
FIG. 2 is a front elevational view thereof, the rear elevational view being identical thereto;
FIG. 3 is a right side elevational view thereof, the left side elevational view being identical thereto;
FIG. 4 is a top plan view thereof; and,
FIG. 5 is a bottom plan view thereof.
The broken lines depict unclaimed subject matter and form no part of the claimed design.

1 Claim, 4 Drawing Sheets



(56)

References Cited

U.S. PATENT DOCUMENTS

D427,308	S	6/2000	Zinger	
6,127,320	A *	10/2000	van Ooij	A61M 39/045 508/138
D461,407	S *	8/2002	Barnes	D9/435
6,585,229	B2	7/2003	Cote	
6,595,964	B2	7/2003	Finley	
D495,416	S	8/2004	Dimeo	
D630,318	S	1/2011	Goodwin	
8,062,267	B2	11/2011	McKinnon	
D674,088	S	1/2013	Lev	
8,372,059	B2	2/2013	Ziman	
8,409,145	B2	4/2013	Raymond	
D691,261	S	10/2013	Kawamura	
D703,519	S	4/2014	Senseney	
D708,937	S *	7/2014	Lemler	D8/386
D708,946	S	7/2014	Hutchison	
D714,935	S *	10/2014	Nishioka	D24/130
8,905,994	B1	12/2014	Lev	
D734,868	S	7/2015	Gilboa	
D736,914	S *	8/2015	Schultz	D24/129
D746,446	S	12/2015	Turturro	
D750,775	S	3/2016	Carrel	
D761,421	S *	7/2016	Nakagami	D24/129
D785,789	S	5/2017	Turturro	
D791,310	S *	7/2017	Maurice	D24/129
D791,939	S	7/2017	Turturro	
D796,035	S	8/2017	Turturro	
9,884,176	B2 *	2/2018	Fangrow	A61M 39/10
D819,803	S *	6/2018	Kheradpir	D24/112
2012/0271246	A1	10/2012	Guala	
2013/0012881	A1	1/2013	Lacy	
2014/0371724	A1 *	12/2014	Tsai	A61M 39/10 604/538

* cited by examiner

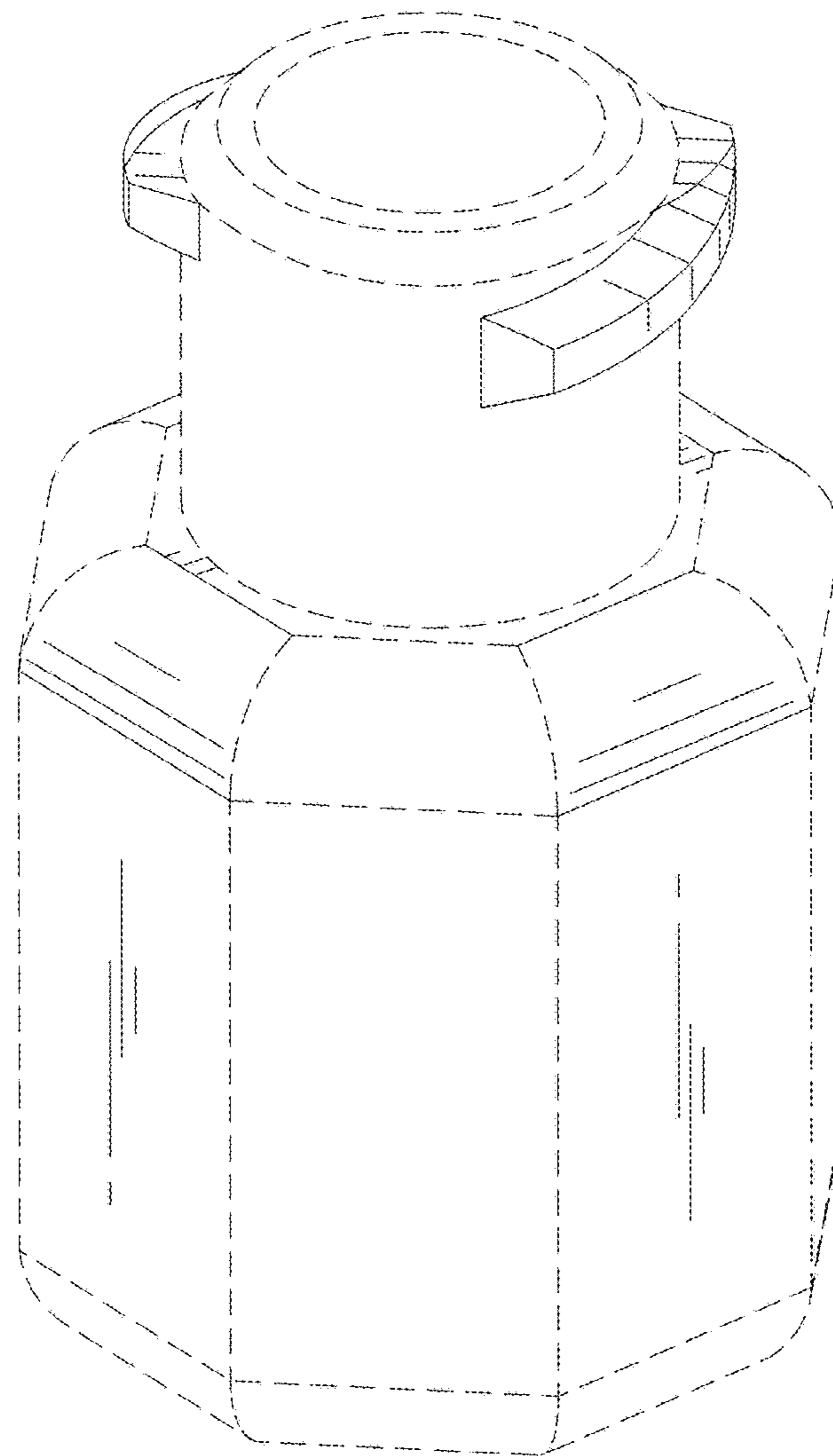


FIG. 1

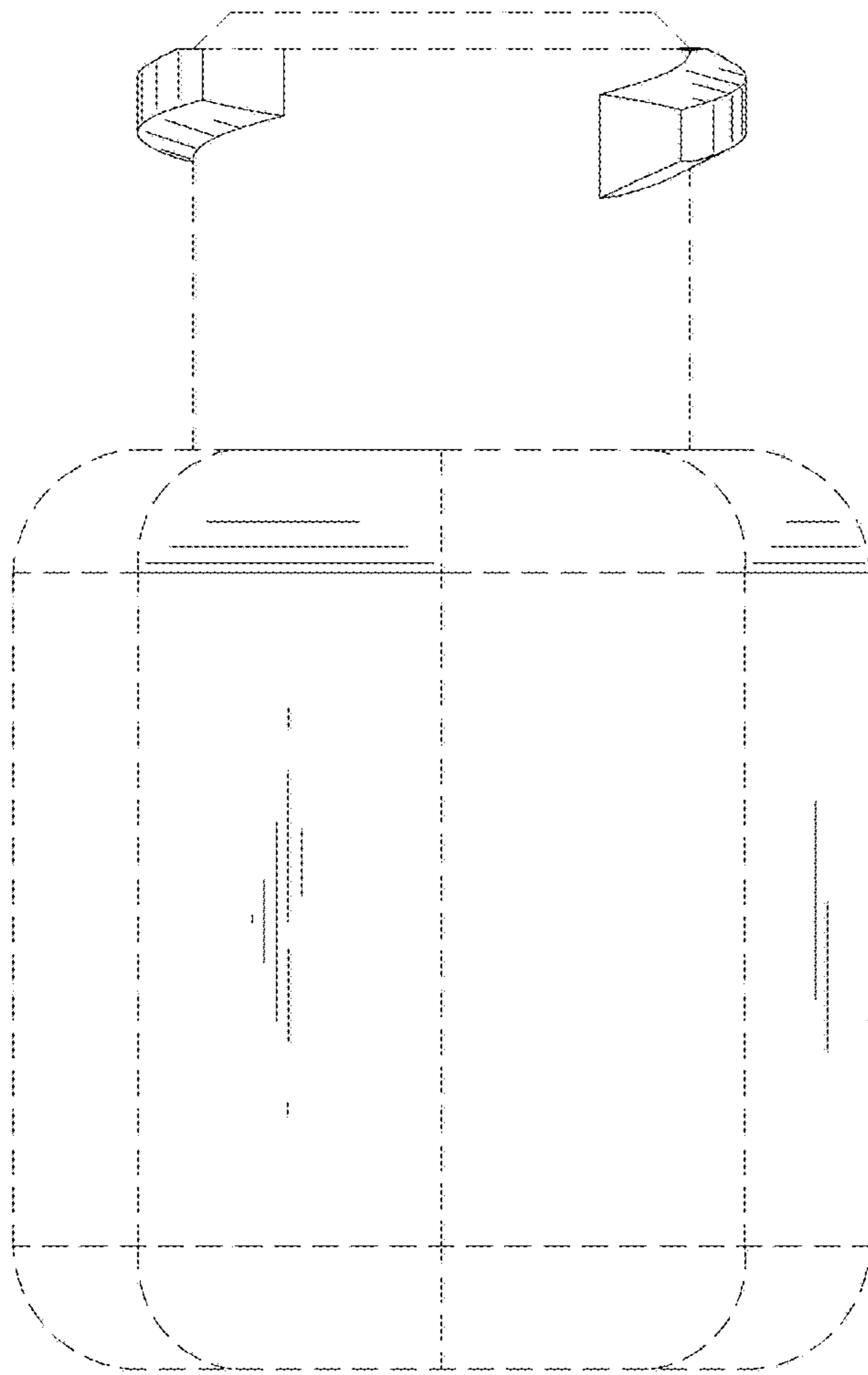


FIG. 2

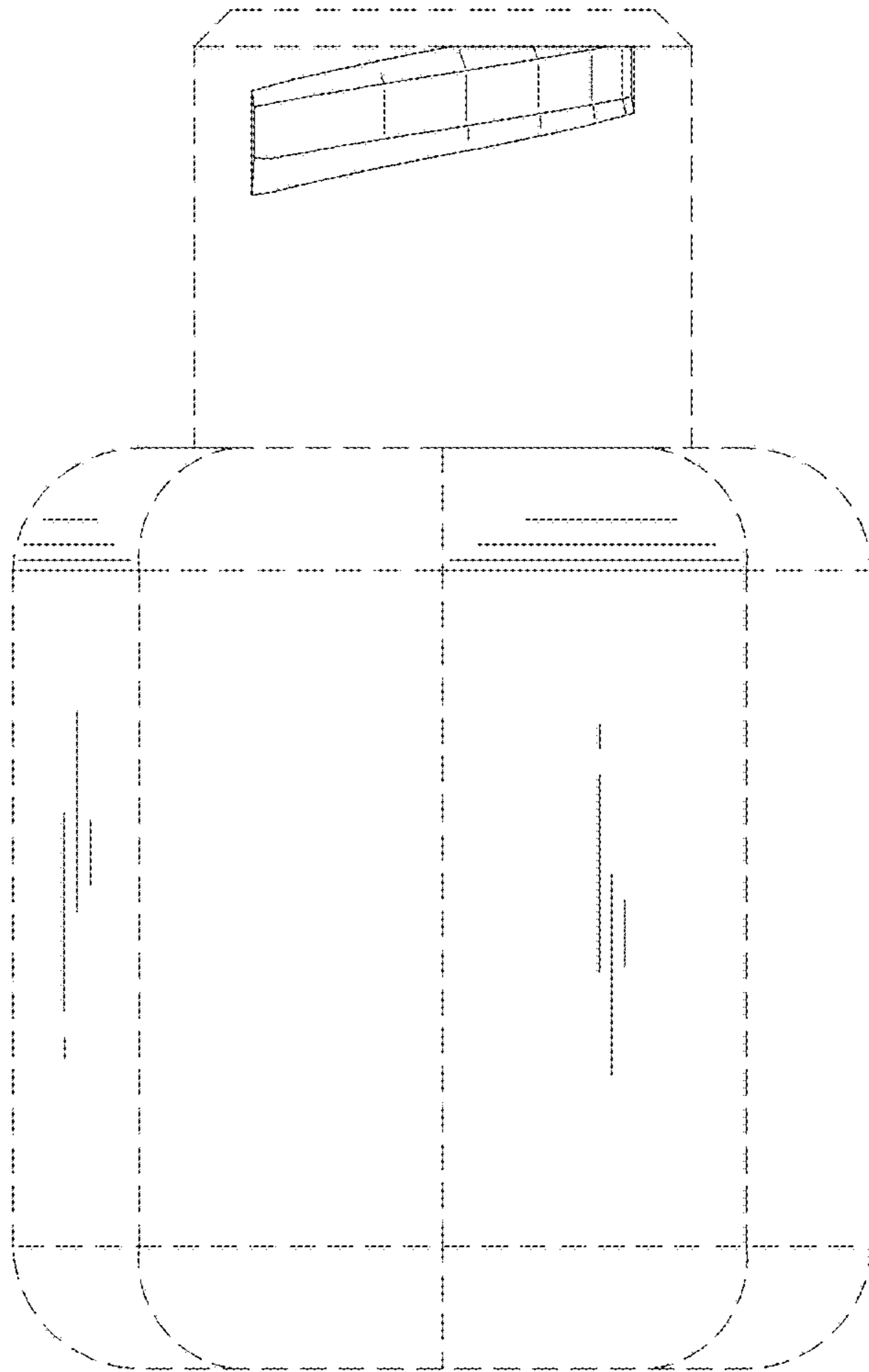


FIG. 3

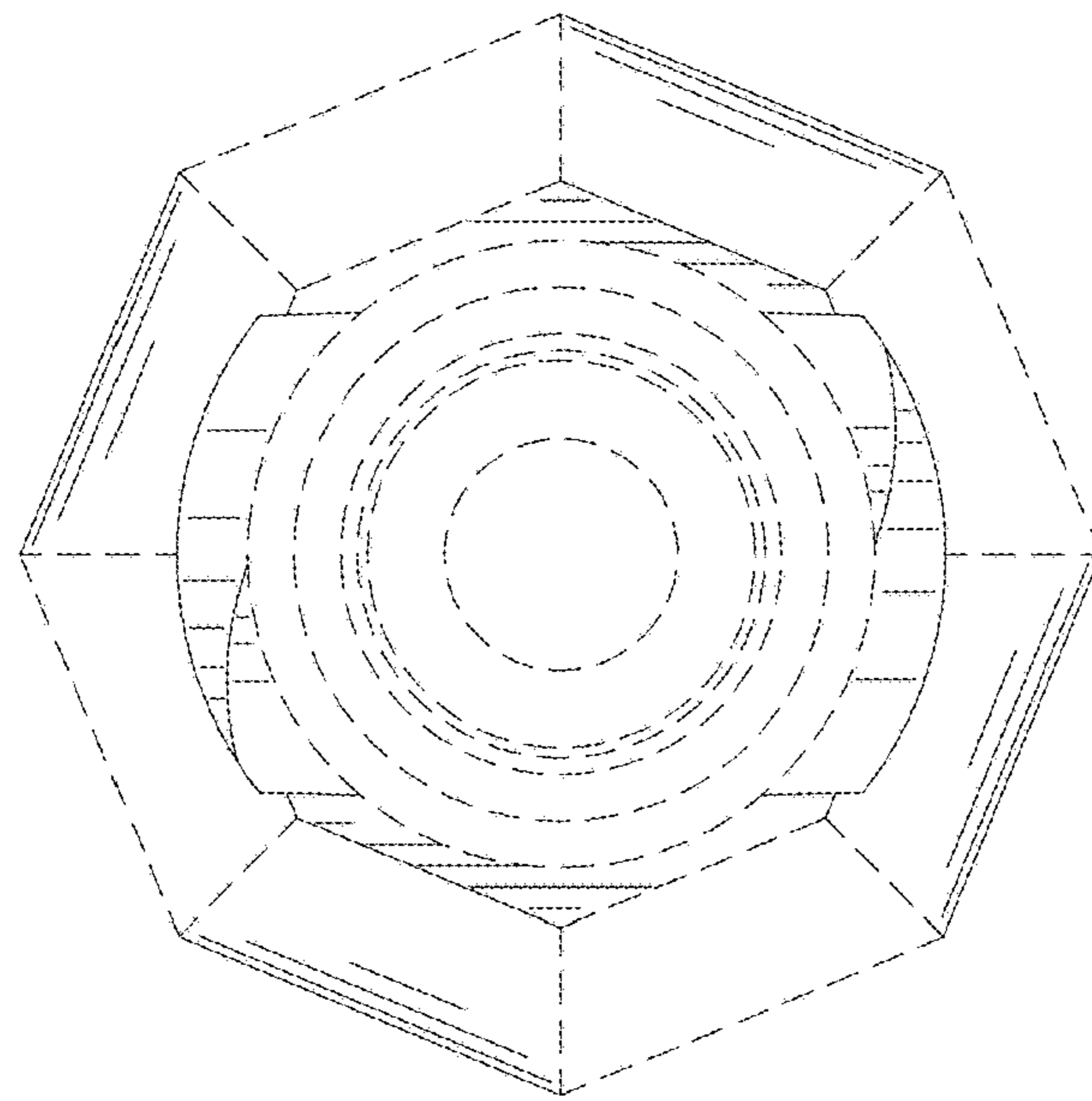


FIG. 4

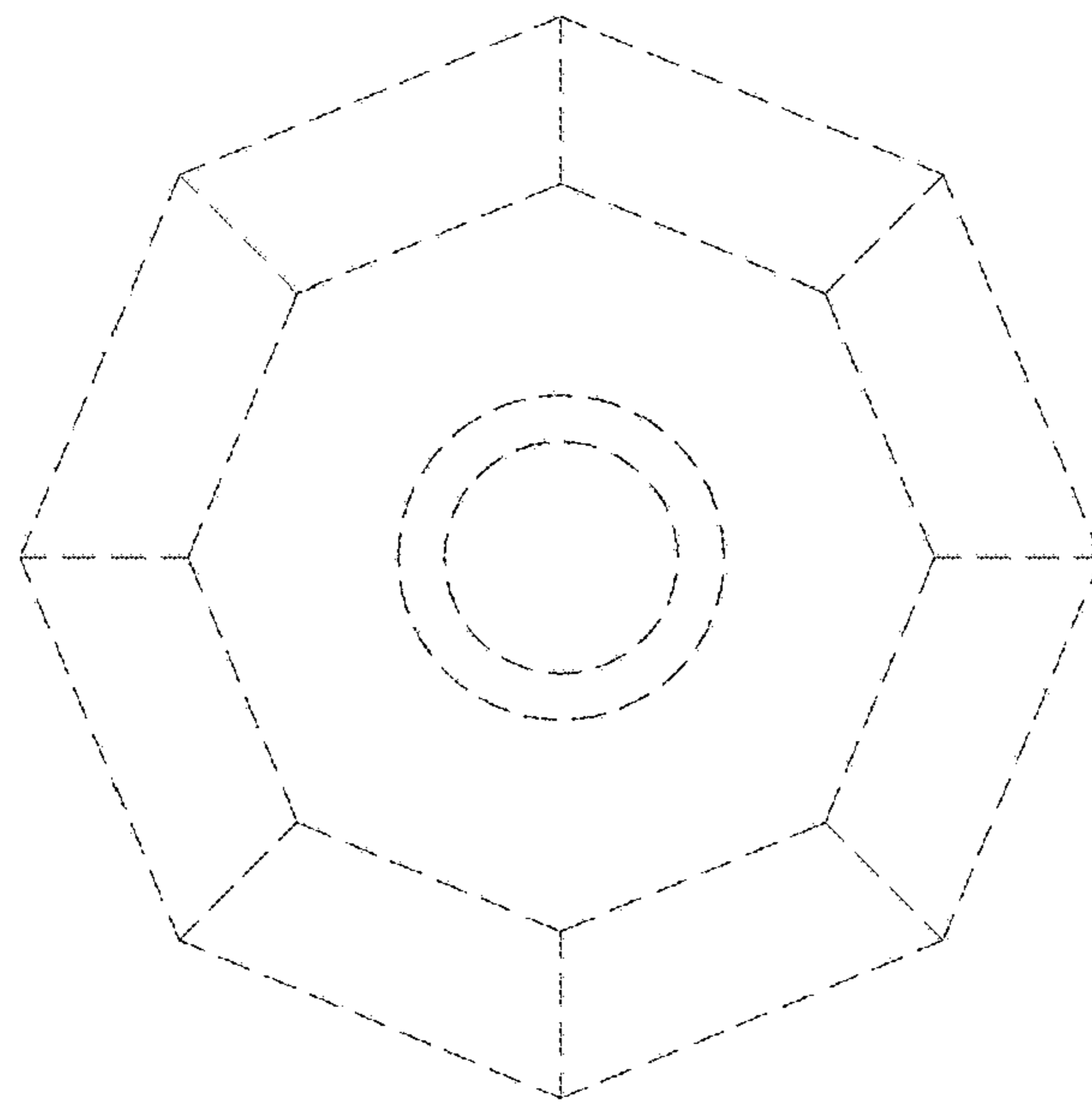


FIG. 5