



US00D841152S

(12) **United States Design Patent** (10) **Patent No.:** **US D841,152 S**
Naylor (45) **Date of Patent:** **** Feb. 19, 2019**

(54) **EYE DROP CONTAINER**
(71) Applicant: **Monica S. Naylor**, Hewitt, TX (US)
(72) Inventor: **Monica S. Naylor**, Hewitt, TX (US)
(**) Term: **15 Years**
(21) Appl. No.: **29/608,897**
(22) Filed: **Jun. 27, 2017**
(51) **LOC (11) Cl.** **24-02**
(52) **U.S. Cl.**
USPC **D24/120**
(58) **Field of Classification Search**
USPC D24/110, 115, 116, 120, 121; D9/521,
D9/529, 549, 558, 574-575, 686-694,
D9/435, 444; 215/382-384; 220/660,
220/675; D7/700; D23/200
CPC A61F 9/0008; A61F 9/0026; A61F
2230/0091; A61F 2250/0004; B65D
47/18; B65D 83/30; A61H 35/02; A61H
2201/0153; A61M 35/003; A61M 35/00;
A61M 2210/0612
See application file for complete search history.

8,673,341 B2 3/2014 Hughes
D713,737 S * 9/2014 Adamson-Mohan D9/521
9,034,830 B2 5/2015 Nanduri et al.
9,168,212 B2 10/2015 Kang et al.
D748,475 S * 2/2016 Hunter D9/444
D777,576 S * 1/2017 Peng D9/521
2006/0081726 A1* 4/2006 Gerondale A61F 9/0008
239/590
2010/0204335 A1 8/2010 Beddingfield et al.
2012/0312840 A1 12/2012 Hasegawa et al.
2014/0045741 A1 2/2014 Karla et al.

* cited by examiner

Primary Examiner — Cathron C Brooks
Assistant Examiner — Samantha Q. Lawrence
(74) *Attorney, Agent, or Firm* — Cramer Patent & Design,
PLLC; Aaron R. Cramer

(57) **CLAIM**

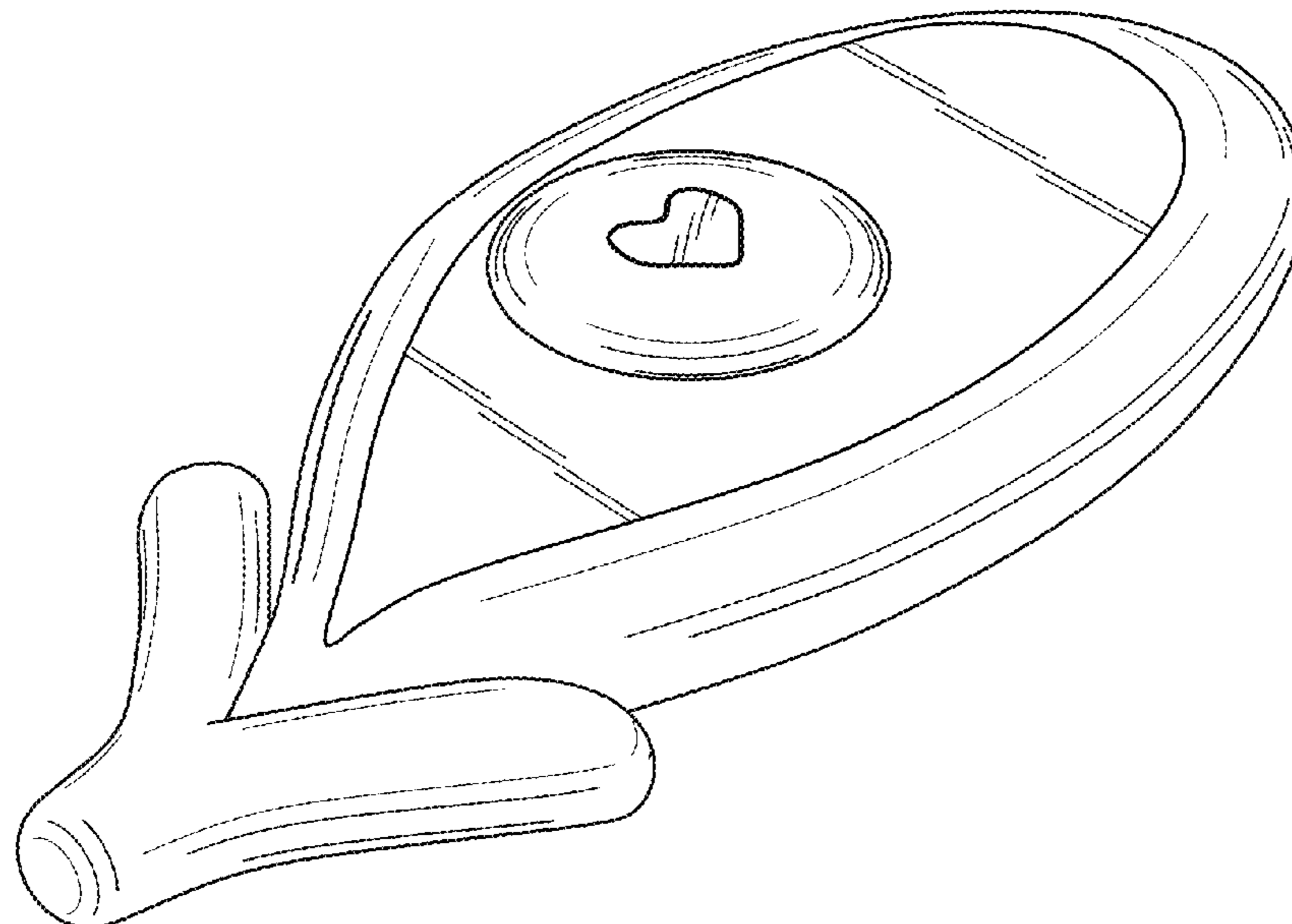
The ornamental design for an eye drop container, as shown and described.

DESCRIPTION

FIG. 1 is a perspective top front right view of an eye drop container, showing my new design;
FIG. 2 is a perspective top rear left view thereof;
FIG. 3 is a front elevation view thereof;
FIG. 4 is a rear elevation view thereof;
FIG. 5 is a left elevation view thereof;
FIG. 6 is a right elevation view thereof;
FIG. 7 is a top plan view thereof; and,
FIG. 8 is a bottom plan view thereof.

1 Claim, 8 Drawing Sheets

(56) **References Cited**
U.S. PATENT DOCUMENTS
5,474,979 A 12/1995 Ding et al.
D426,300 S * 6/2000 Conforti D24/115
D444,227 S * 6/2001 Hennemann D24/115
D546,442 S * 7/2007 Collins D24/115
D627,458 S * 11/2010 Bisson D24/115
8,309,605 B2 11/2012 Chang et al.
D673,059 S * 12/2012 Park D9/529



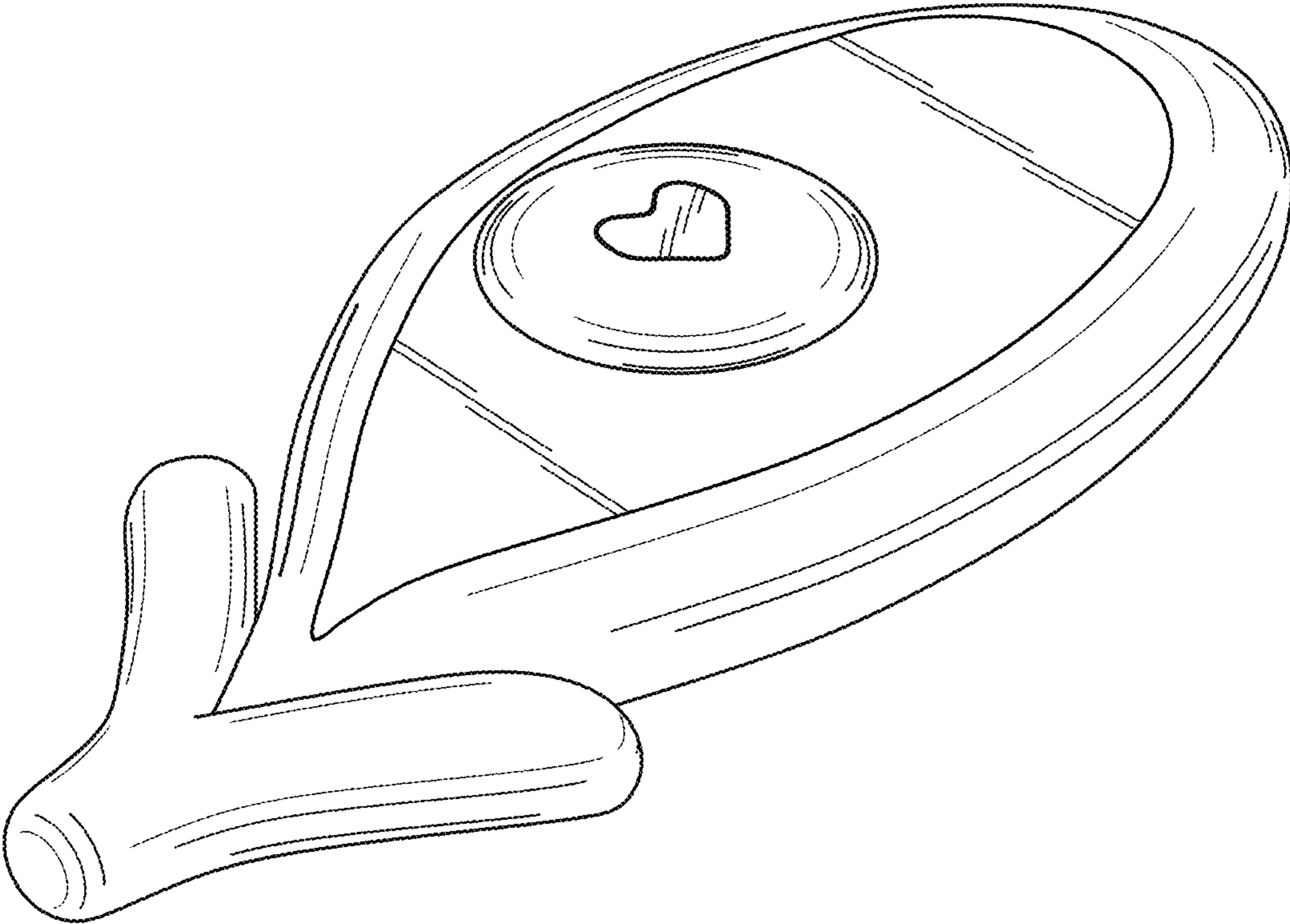


FIG. 1

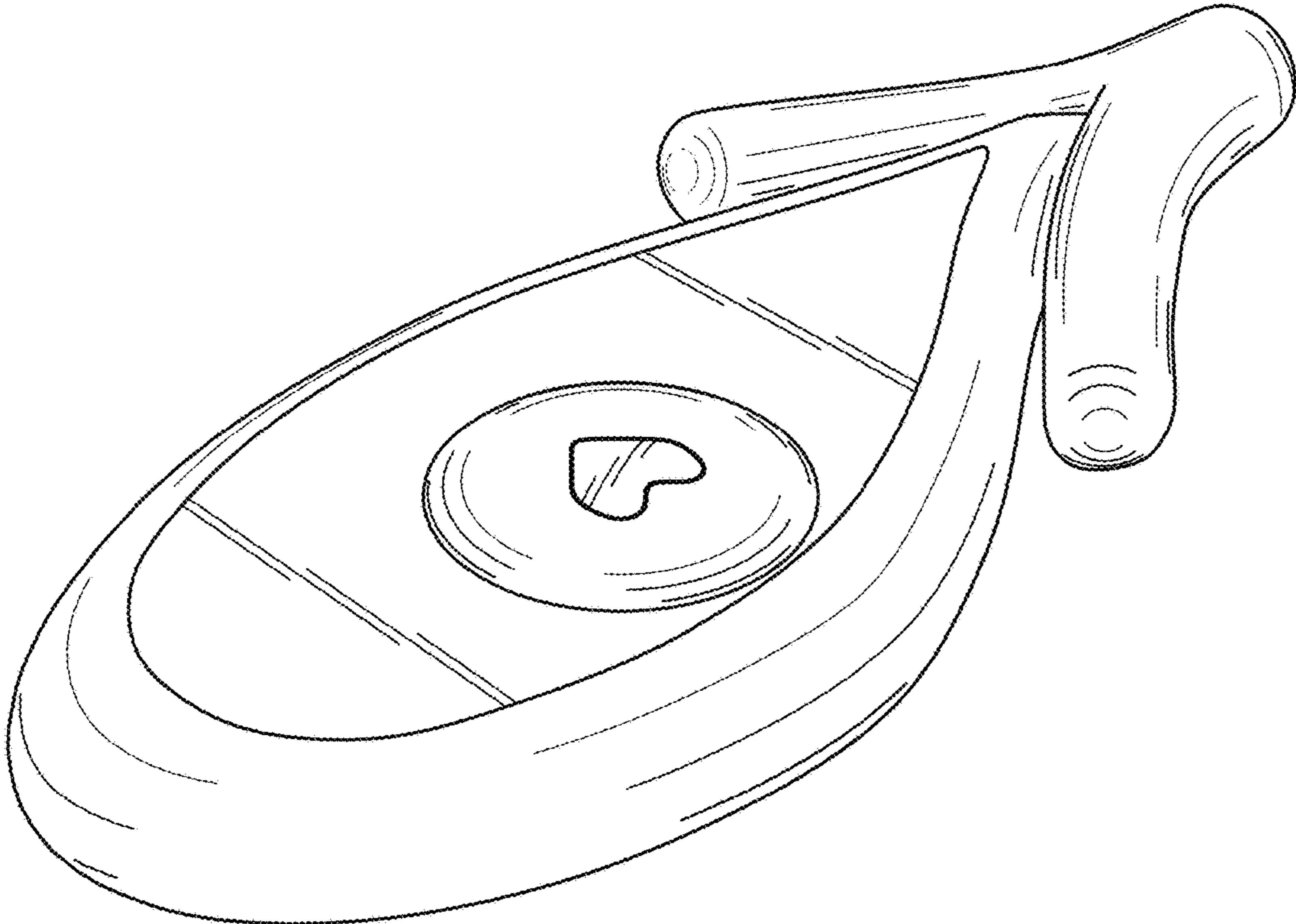


FIG. 2

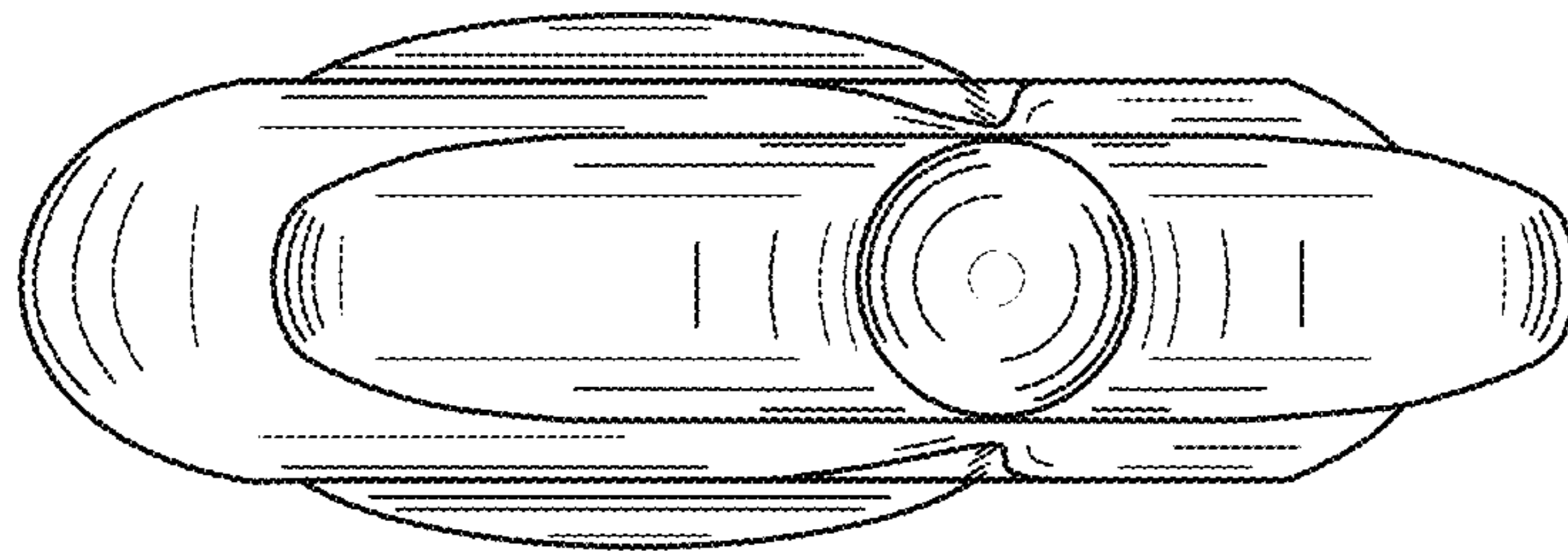


FIG. 3

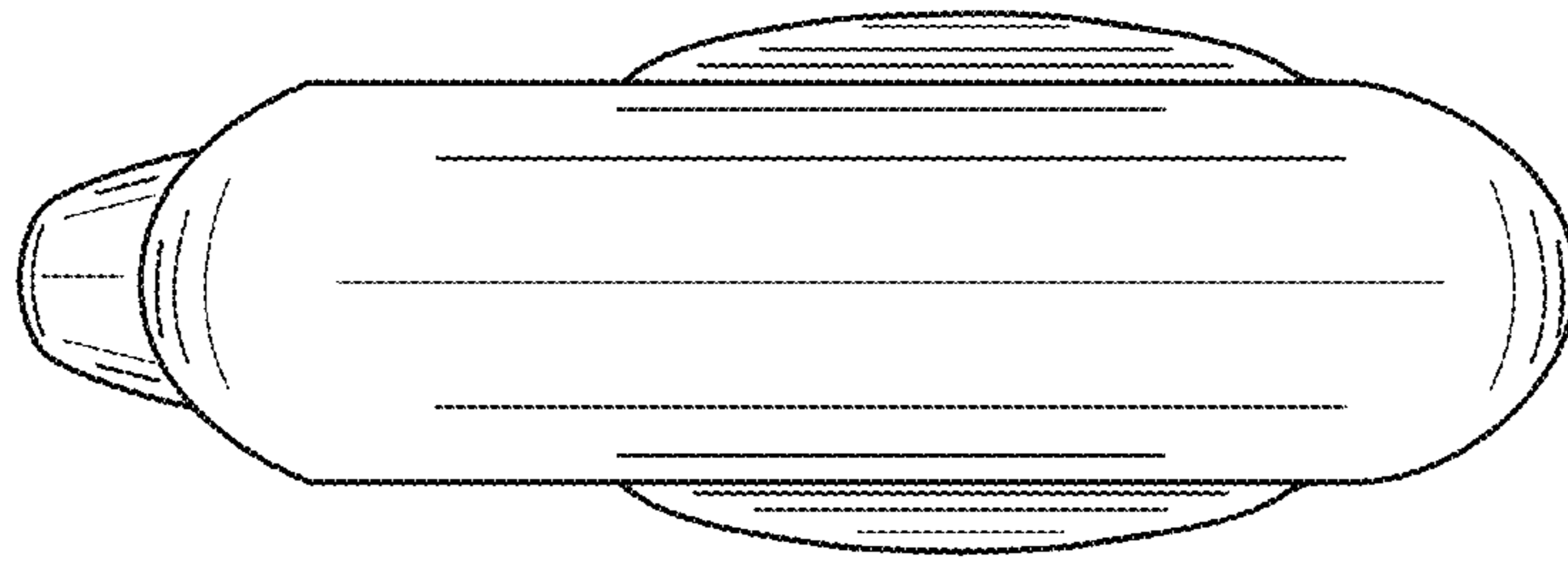


FIG. 4

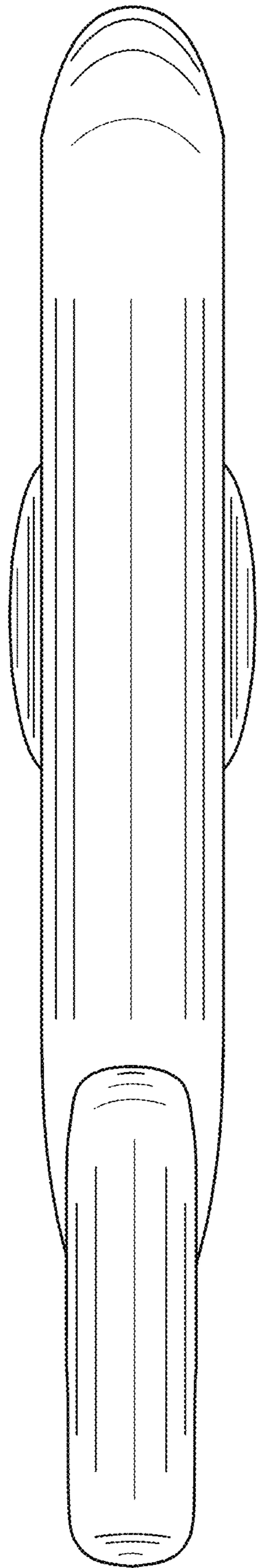


FIG. 5

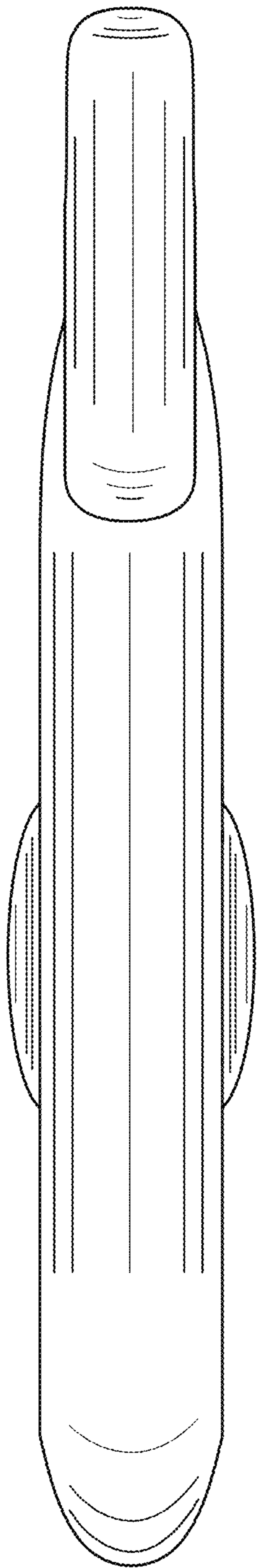


FIG. 6

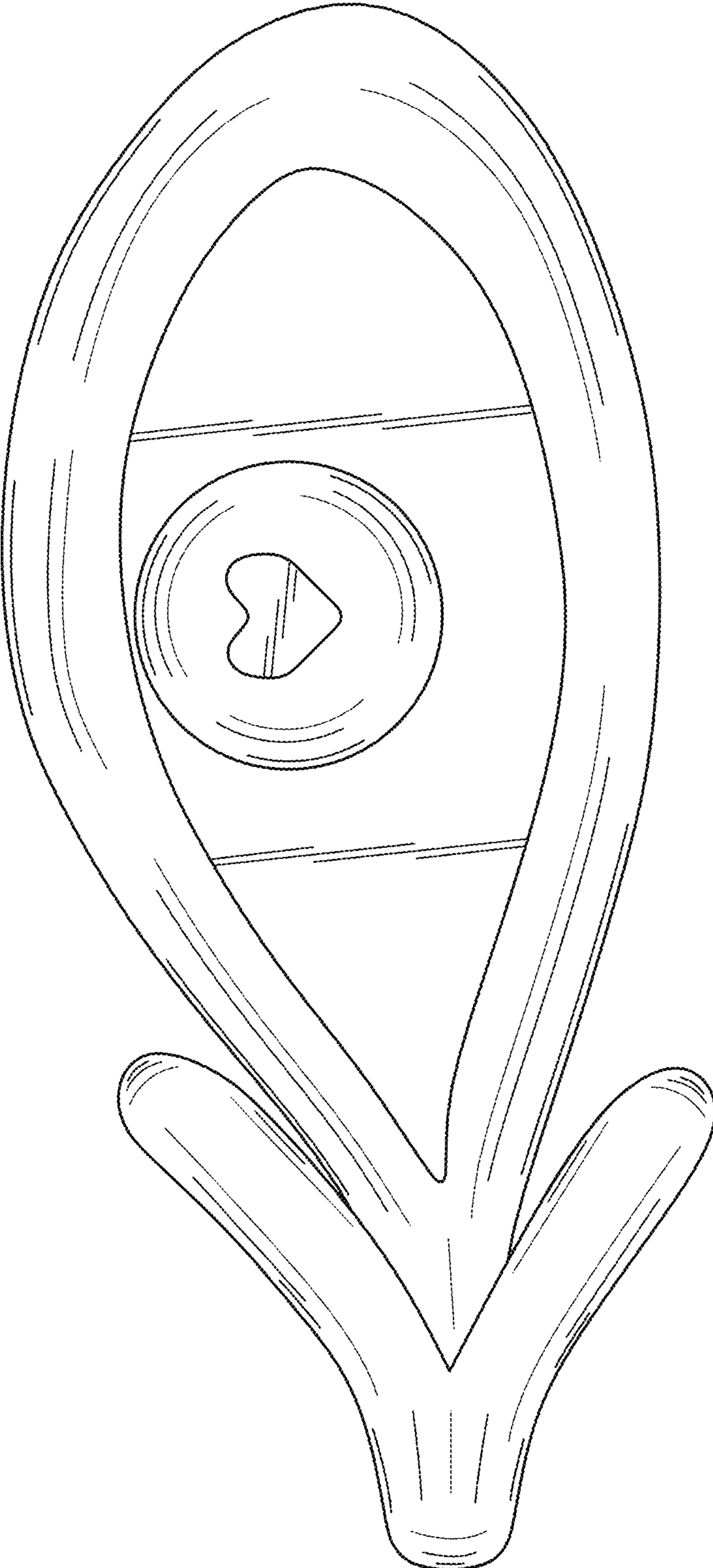


FIG. 7

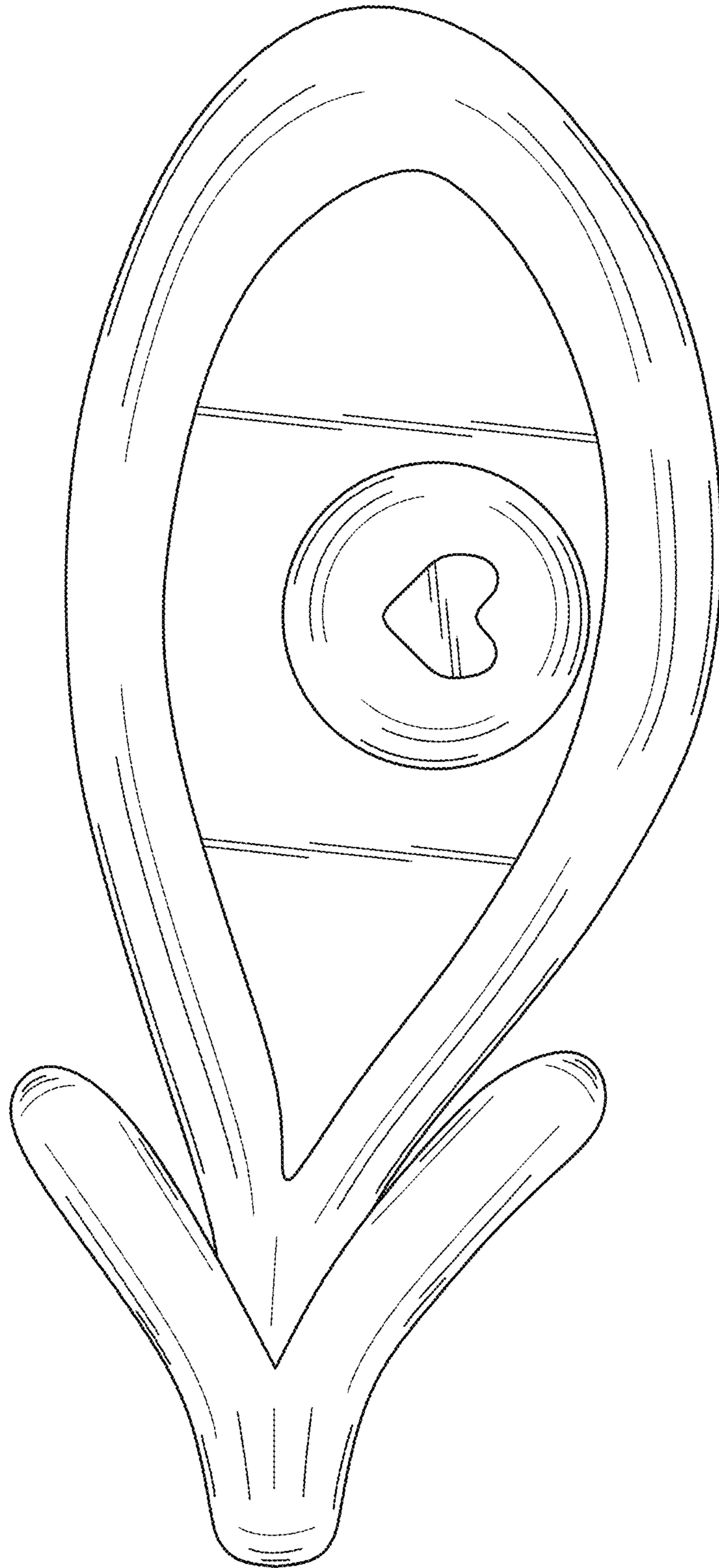


FIG. 8