



US00D841151S

(12) **United States Design Patent** (10) **Patent No.:** **US D841,151 S**  
**Bullington et al.** (45) **Date of Patent:** **\*\* Feb. 19, 2019**

(54) **BODILY-FLUID SAMPLING DEVICE**  
(71) Applicant: **Magnolia Medical Technologies, Inc.**,  
Seattle, WA (US)  
(72) Inventors: **Gregory J. Bullington**, Bellevue, WA  
(US); **Richard G. Patton**, Seattle, WA  
(US); **Shan E. Gaw**, Seattle, WA (US);  
**Jay M. Miazga**, Seattle, WA (US)  
(73) Assignee: **Magnolia Medical Technologies, Inc.**,  
Seattle, WA (US)  
(\*\*) Term: **15 Years**  
(21) Appl. No.: **29/610,102**  
(22) Filed: **Jul. 10, 2017**

**Related U.S. Application Data**

(62) Division of application No. 29/525,256, filed on Apr.  
28, 2015, now Pat. No. Des. 794,779, which is a  
division of application No. 29/434,421, filed on Oct.  
12, 2012, now Pat. No. Des. 731,643.  
(51) **LOC (11) Cl.** ..... **24-02**  
(52) **U.S. Cl.**  
USPC ..... **D24/117**  
(58) **Field of Classification Search**  
USPC ..... D24/117, 112-114, 133, 186, 130, 127,  
D24/129, 108; 600/400, 473-476, 101,  
600/139, 143; 606/15-16, 181, 185;  
604/264, 280, 256, 164, 283, 174;  
128/200.24, 207.14, 207.15  
CPC ..... A61B 10/0045; A61B 10/0096; A61B  
5/150099; A61B 5/150221; A61B  
5/150236

See application file for complete search history.

(56) **References Cited**

U.S. PATENT DOCUMENTS

D286,426 S	10/1986	Lin	
4,832,232 A	5/1989	Broccoli	
5,307,994 A	5/1994	Hieronymus	
5,322,094 A	6/1994	Janesko	
5,458,640 A	10/1995	Gerrone	
5,485,857 A	1/1996	Amundsen	
5,807,338 A	9/1998	Smith et al.	
5,842,638 A	12/1998	Reents et al.	
6,056,766 A	5/2000	Thompson et al.	
6,159,164 A	12/2000	Neese et al.	
D461,226 S *	8/2002	Hunter	D23/225
D467,991 S *	12/2002	Ibele	D23/225
D477,384 S *	7/2003	Williams	D23/225
6,626,380 B1 *	9/2003	Williams	B05B 9/0861 222/333

(Continued)

*Primary Examiner* — David G Muller  
*Assistant Examiner* — Nathan M Johnson  
(74) *Attorney, Agent, or Firm* — Cooley LLP

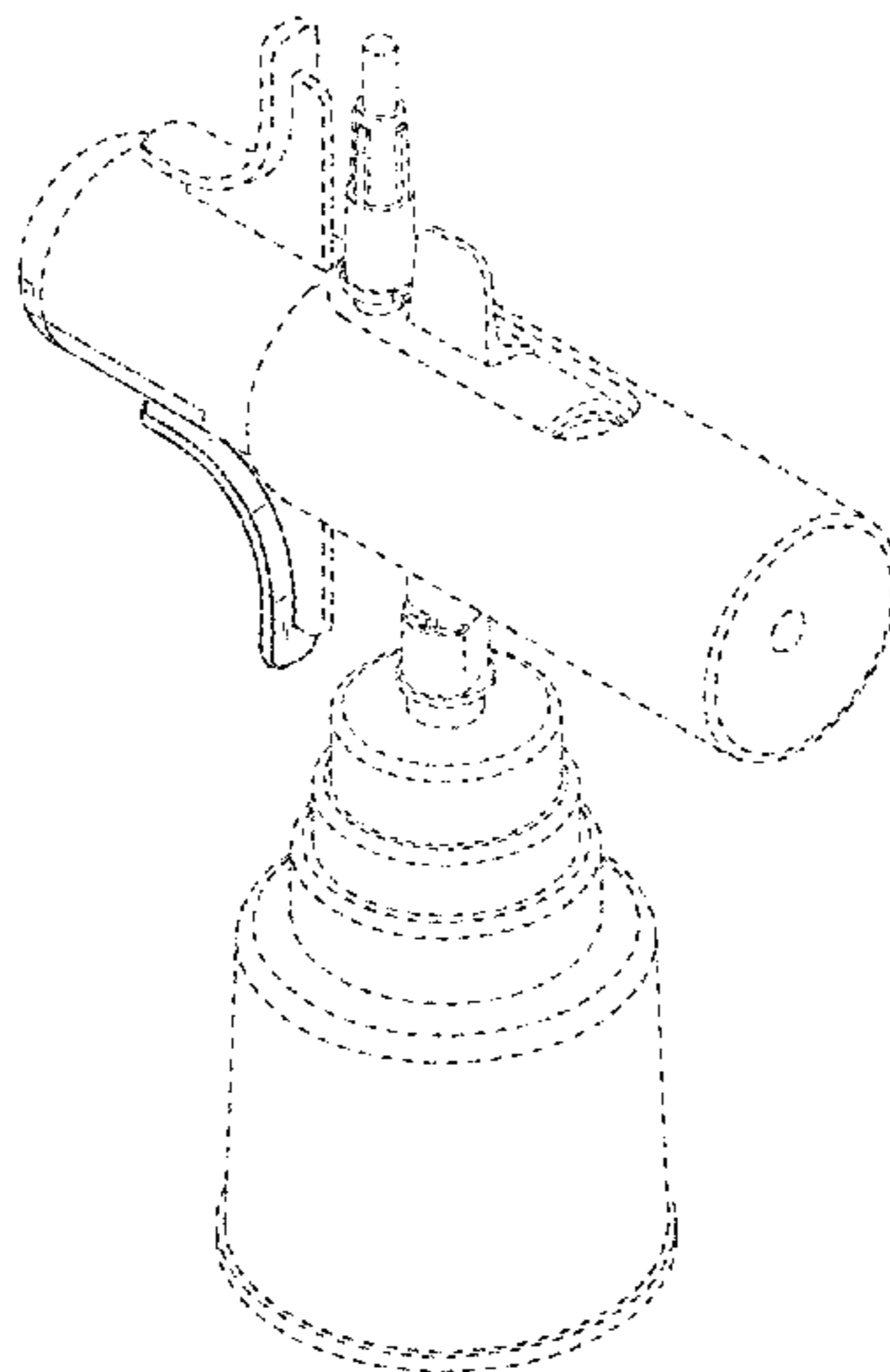
(57) **CLAIM**

The ornamental design for a bodily-fluid sampling device, as shown and described.

**DESCRIPTION**

FIG. 1 is a top perspective view of the bodily-fluid sampling device showing our new design;  
FIG. 2 is a bottom perspective view thereof;  
FIG. 3 is a front elevation view thereof;  
FIG. 4 is a rear elevation view thereof;  
FIG. 5 is a left side elevation view thereof;  
FIG. 6 is a right side elevation view thereof;  
FIG. 7 is a top plan view thereof; and,  
FIG. 8 is a bottom plan view thereof.  
The broken lines immediately adjacent the shaded areas represent the bounds of the claimed design while all other broken lines are directed to environment and are for illustrative purposes only; the broken lines form no part of the claimed design.

**1 Claim, 7 Drawing Sheets**



(56)

References Cited

U.S. PATENT DOCUMENTS

6,631,855	B2 *	10/2003	Huang	.....	B05B 9/0861				
						239/302			
D490,500	S *	5/2004	Ye	.....	D23/225				
D495,400	S *	8/2004	Hopper	.....	D23/225				
D503,213	S	3/2005	Stevens et al.						
D503,215	S *	3/2005	Stevens	.....	D23/225				
D519,603	S	4/2006	Schumann et al.						
7,066,406	B2 *	6/2006	Williams	.....	B05B 15/40				
						239/375			
D532,514	S	11/2006	Schmal						
D541,903	S *	5/2007	Hopper	.....	D23/225				
7,258,694	B1	8/2007	Choi et al.						
D564,623	S *	3/2008	Nathan	.....	D23/225				
7,377,452	B2	5/2008	Jones et al.						
D570,956	S	6/2008	Everett et al.						
D573,226	S *	7/2008	Everett	.....	D23/225				
D589,116	S *	3/2009	Bruggeman	.....	D23/225				
D604,393	S *	11/2009	Johnson	.....	D23/225				
D605,765	S	12/2009	Gaab						
D609,778	S *	2/2010	Woodgate	.....	D23/225				
7,798,429	B1	9/2010	Porter						
D644,715	S *	9/2011	Woodling	.....	D23/225				
8,062,305	B2	11/2011	Wenchell						
D660,426	S *	5/2012	Hermle	.....	D24/138				
D660,941	S *	5/2012	Perez	.....	D23/225				
D664,628	S	7/2012	Zhou et al.						
8,267,332	B1 *	9/2012	Jones	.....	B05B 1/3436				
						239/463			
8,308,083	B2 *	11/2012	Woodgate	.....	B05B 1/3046				
						239/296			
8,535,241	B2	9/2013	Bullington et al.						
8,596,555	B2 *	12/2013	Thompson	.....	B05B 9/01				
						239/152			
D713,500	S	9/2014	Muhl et al.						
8,864,684	B2 *	10/2014	Bullington	.....	A61B 5/150221				
						600/576			
D731,643	S	6/2015	Bullington et al.						
9,060,724	B2	6/2015	Bullington et al.						
D740,393	S *	10/2015	Gehrun	.....	D23/226				
D759,199	S *	6/2016	Wrobel	.....	D23/225				
D772,380	S *	11/2016	Fontaine	.....	D23/225				
D794,779	S *	8/2017	Bullington	.....	D24/117				
2009/0005740	A1	1/2009	Smith						
2010/0322795	A1	12/2010	Jones et al.						
2011/0152910	A1	6/2011	Smith						

\* cited by examiner

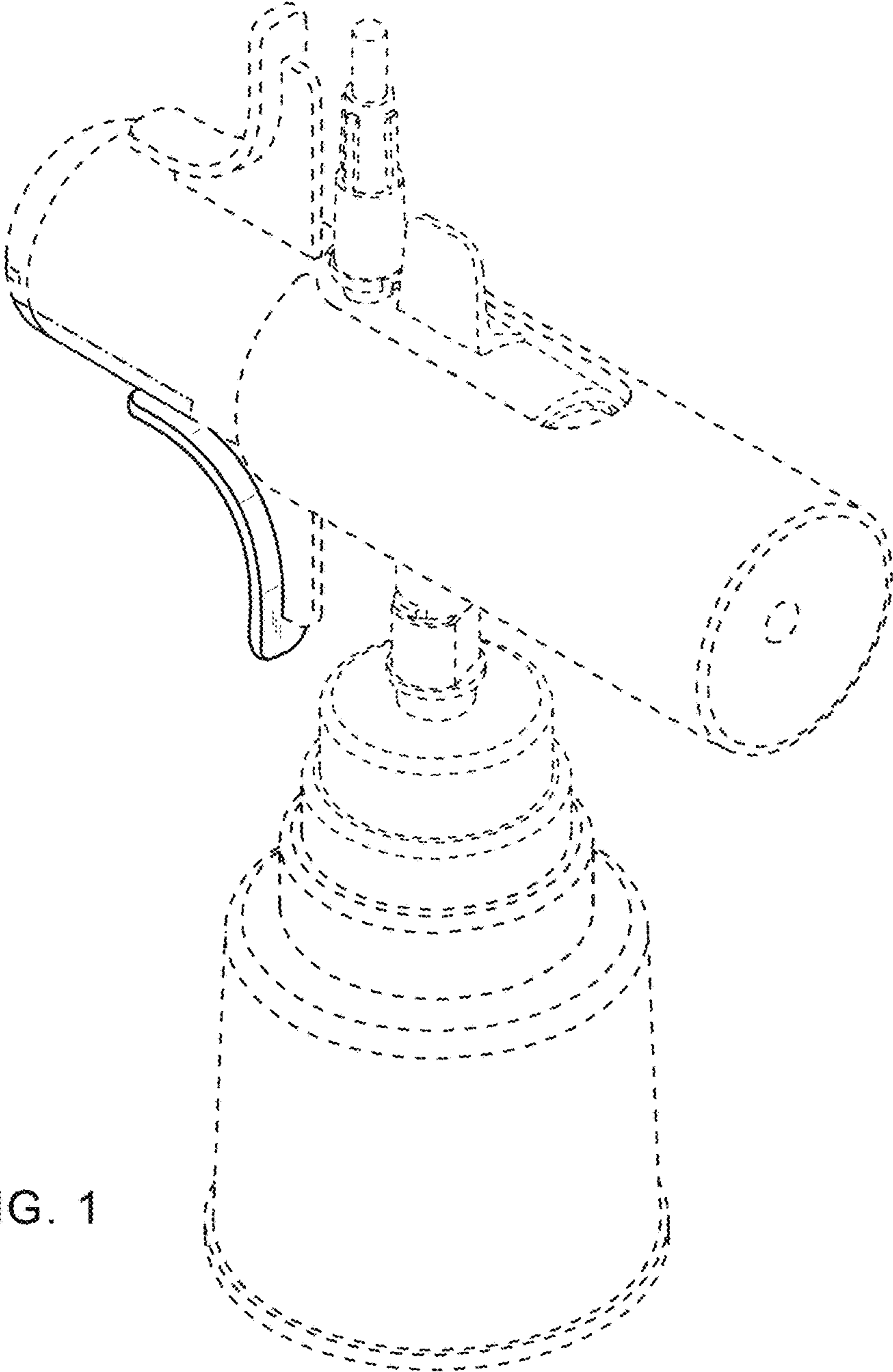


FIG. 1

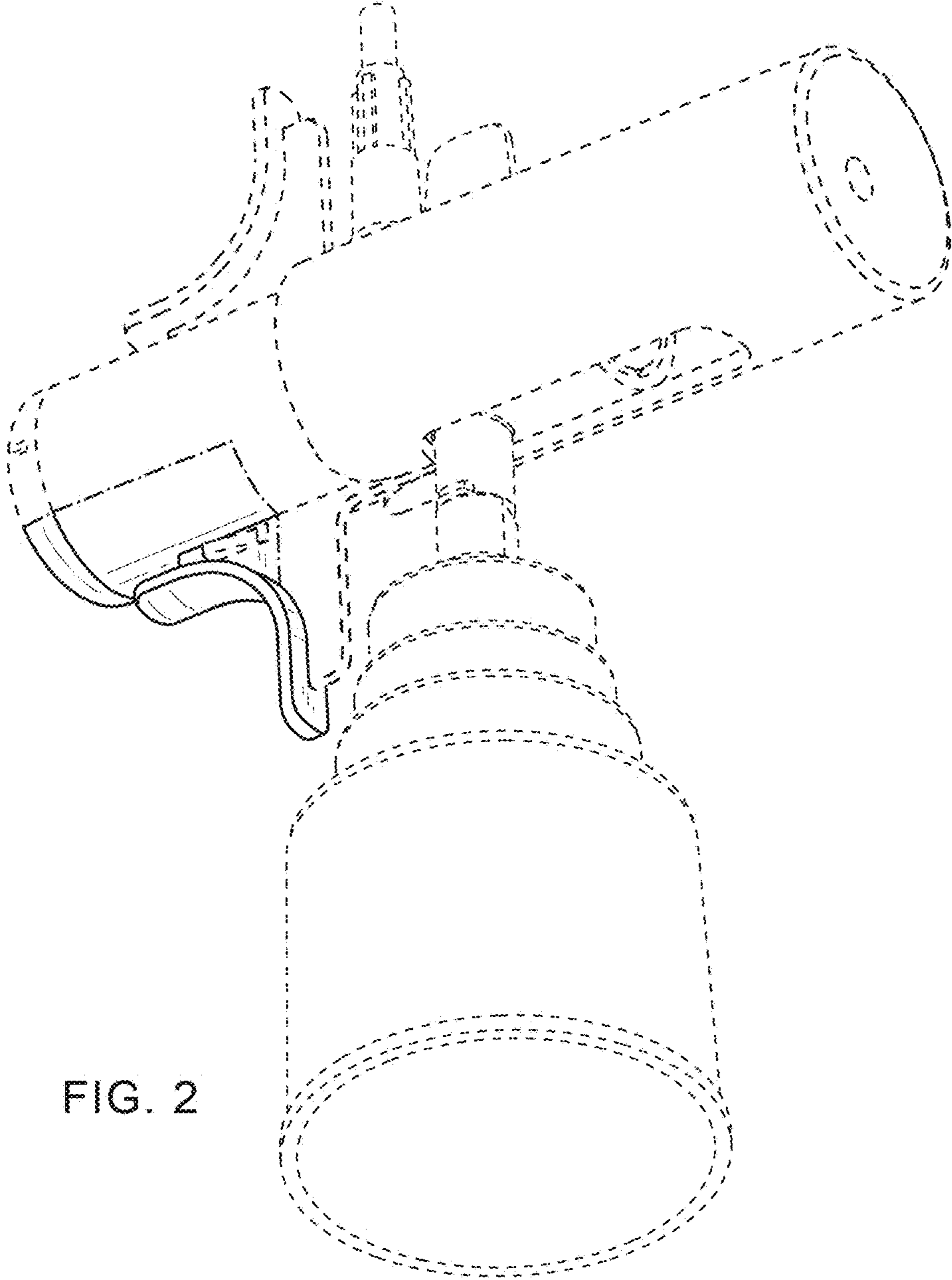


FIG. 2

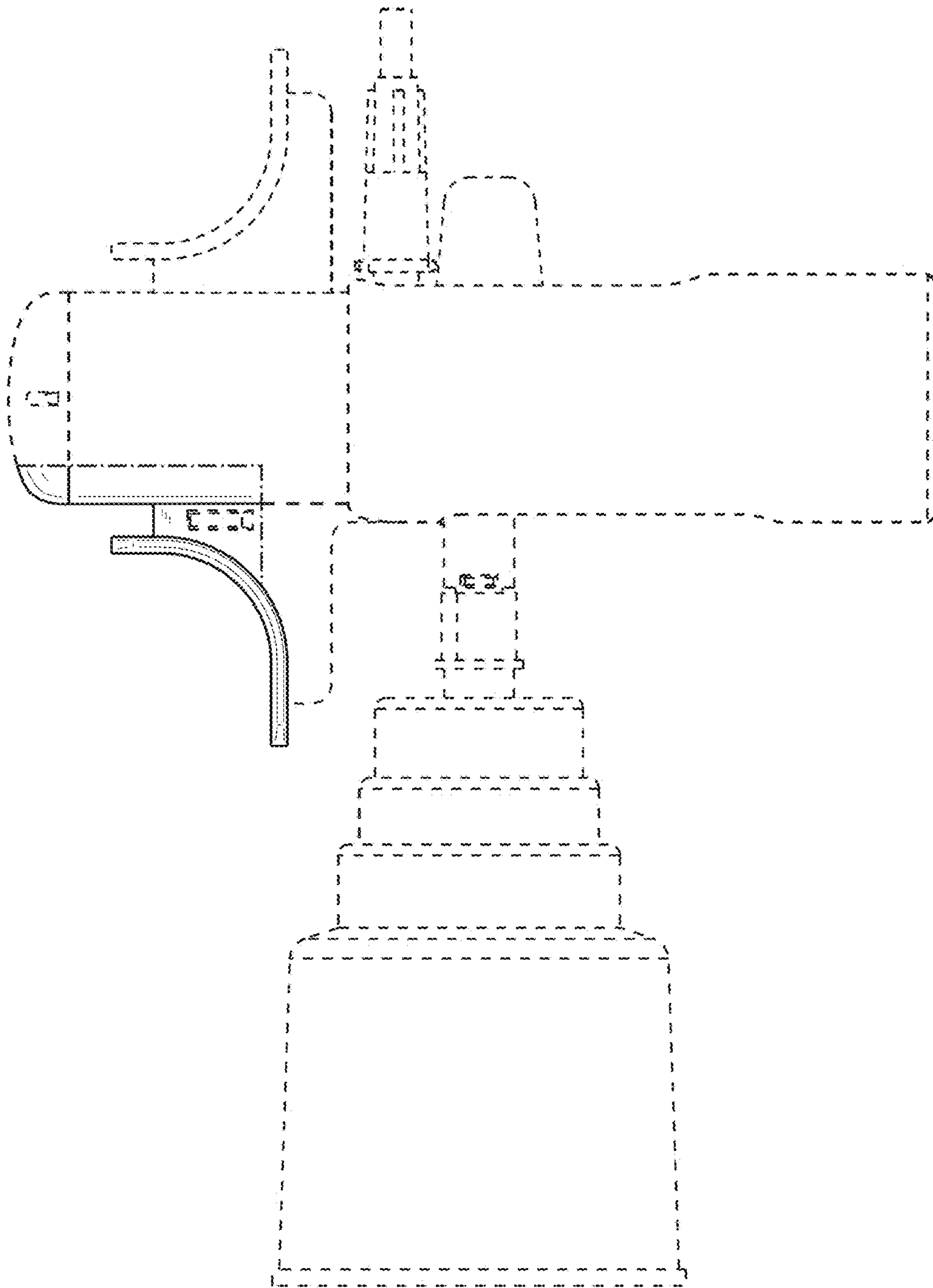


FIG. 3

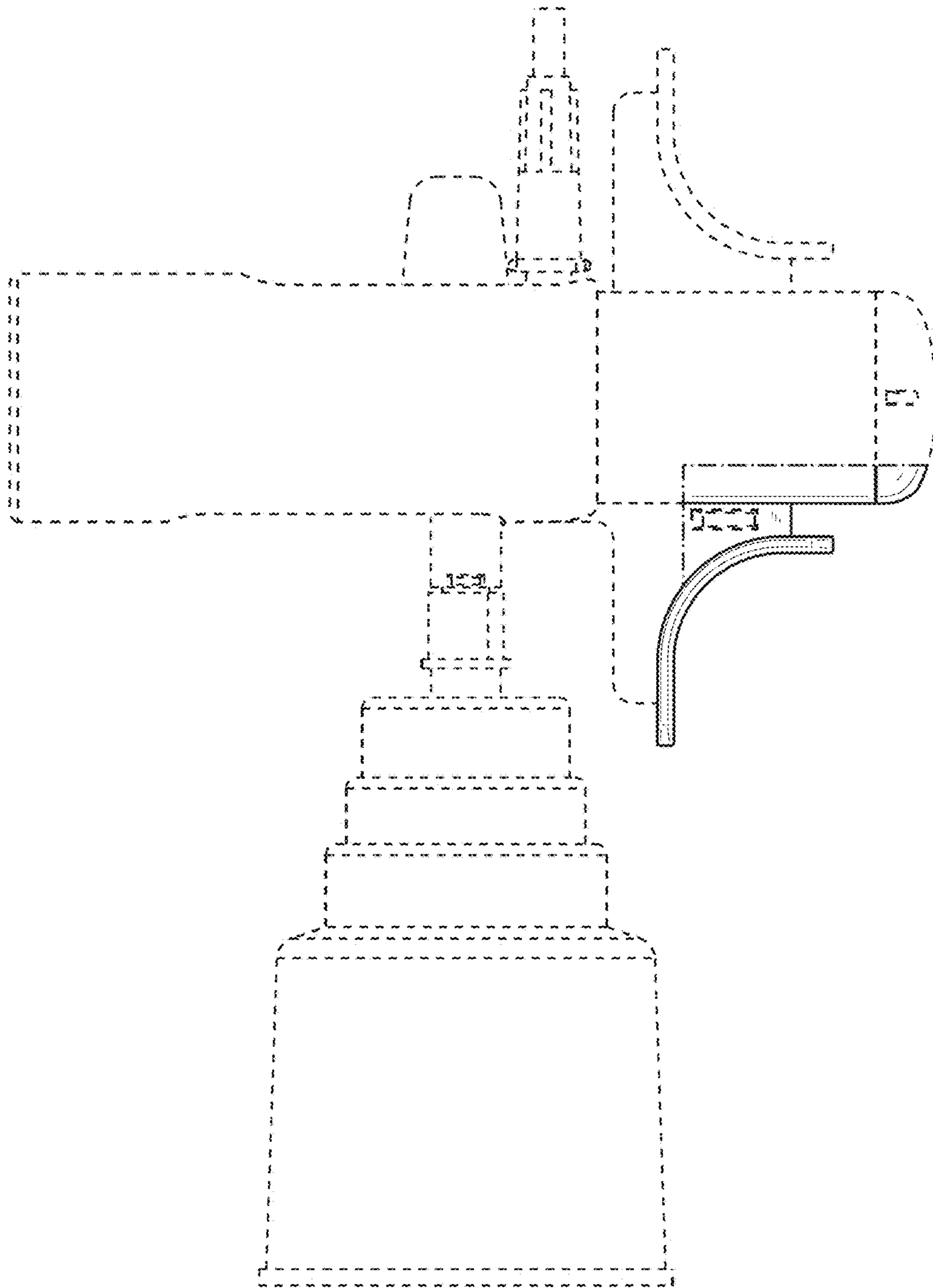


FIG. 4

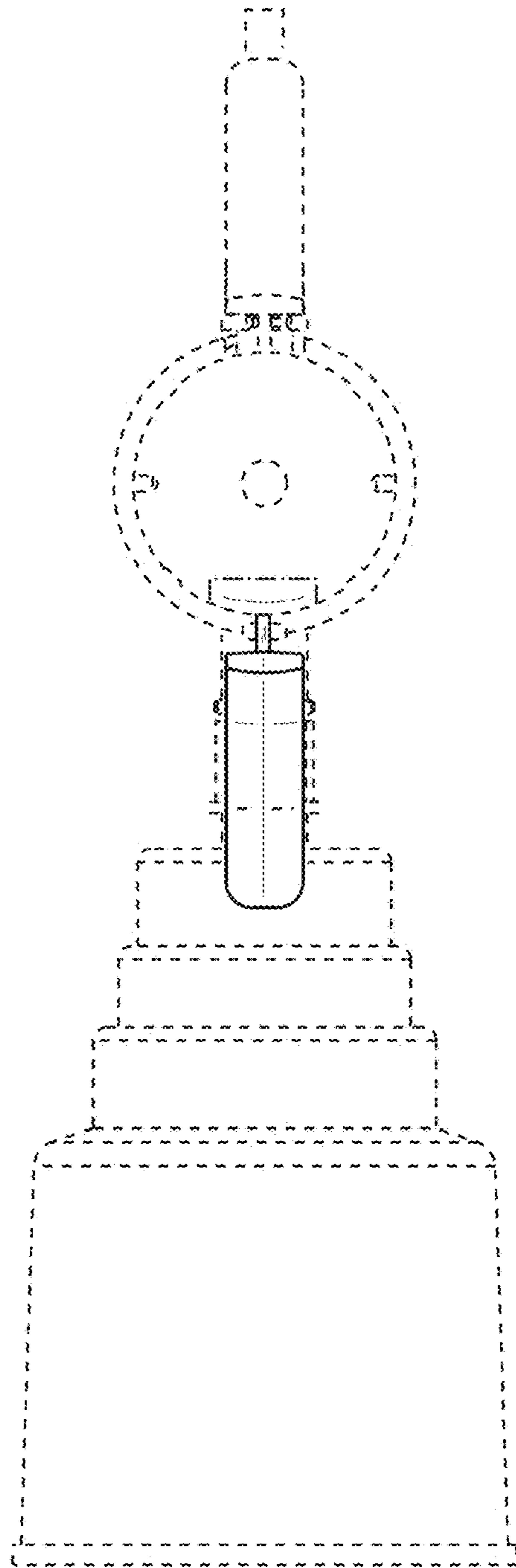


FIG. 5

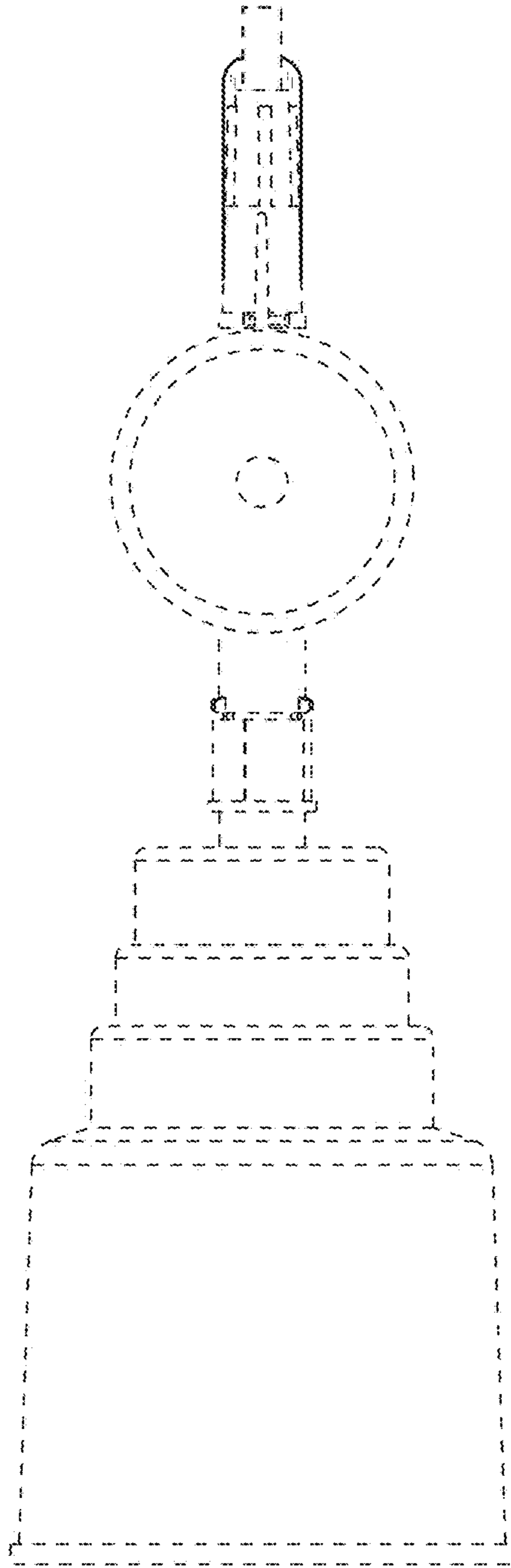


FIG. 6



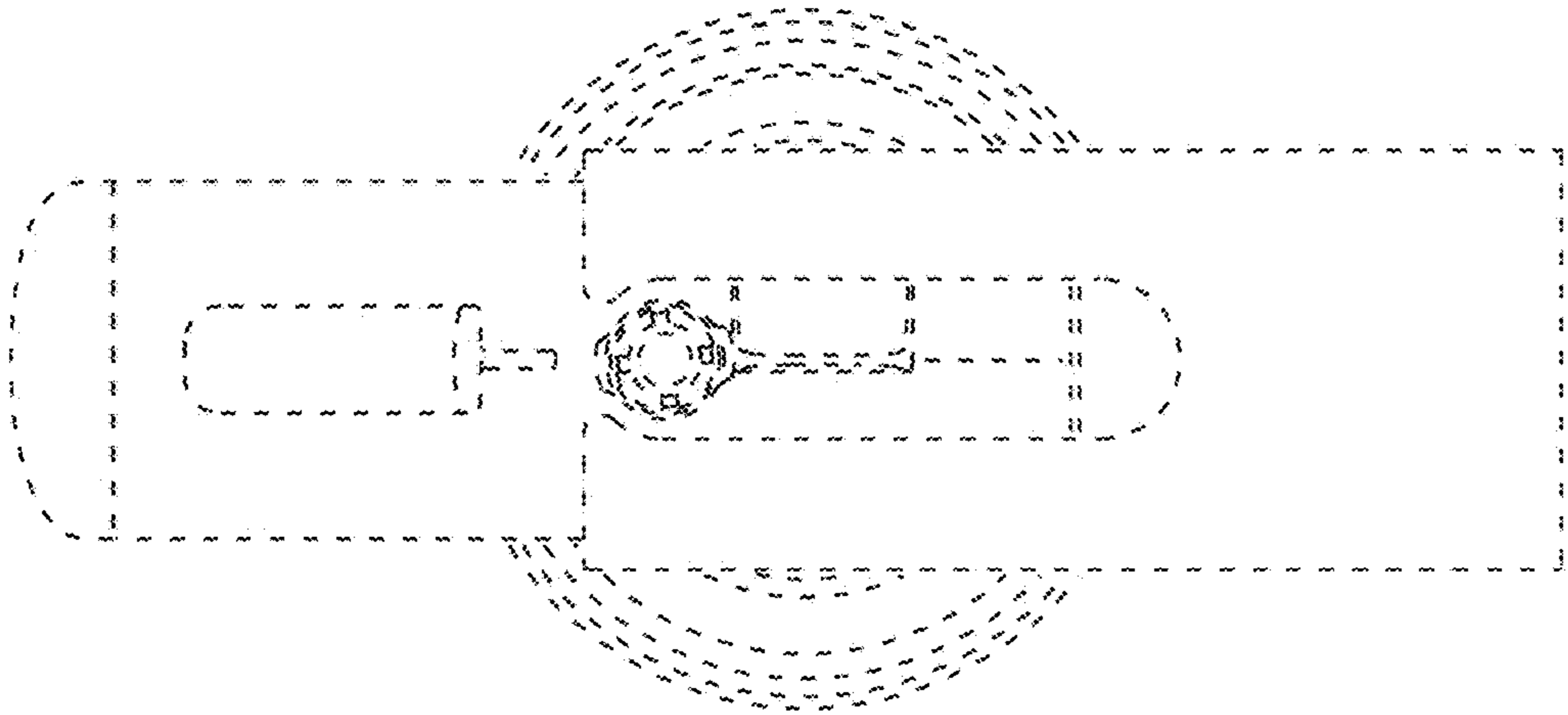


FIG. 7

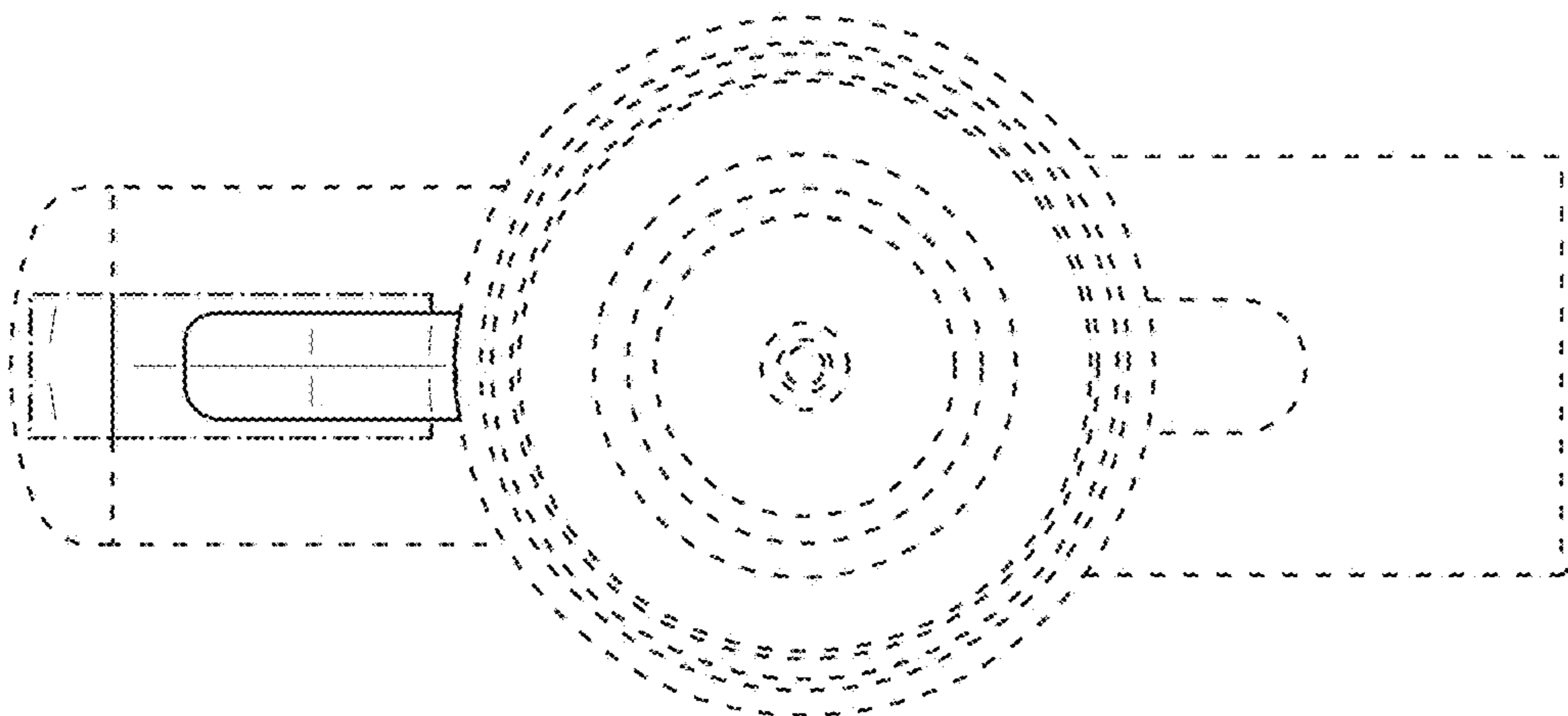


FIG. 8