



US00D841148S

(12) **United States Design Patent** (10) **Patent No.:** **US D841,148 S**
Stoks et al. (45) **Date of Patent:** **** *Feb. 19, 2019**

(54) **BREATHING TUBE**
(71) Applicant: **Fisher & Paykel Healthcare Limited**,
Auckland (NZ)
(72) Inventors: **Elmo Benson Stoks**, Auckland (NZ);
Gareth James Hobbs, Auckland (NZ)
(73) Assignee: **Fisher & Paykel Healthcare Limited**,
Auckland (NZ)
(*) Notice: This patent is subject to a terminal dis-
claimer.
(**) Term: **15 Years**
(21) Appl. No.: **29/571,806**
(22) Filed: **Jul. 21, 2016**
(51) **LOC (11) Cl.** **29-02**
(52) **U.S. Cl.**
USPC **D24/110**
(58) **Field of Classification Search**
USPC D24/110, 110.1-110.5, 127, 129
(Continued)

(56) **References Cited**
U.S. PATENT DOCUMENTS
2,516,864 A * 8/1950 Gilmore B29B 13/00
138/133
4,188,081 A * 2/1980 Holden A47L 9/246
439/192
(Continued)

FOREIGN PATENT DOCUMENTS
WO WO 2012/164407 A1 12/2012
WO WO 2014/077706 A1 5/2014
(Continued)

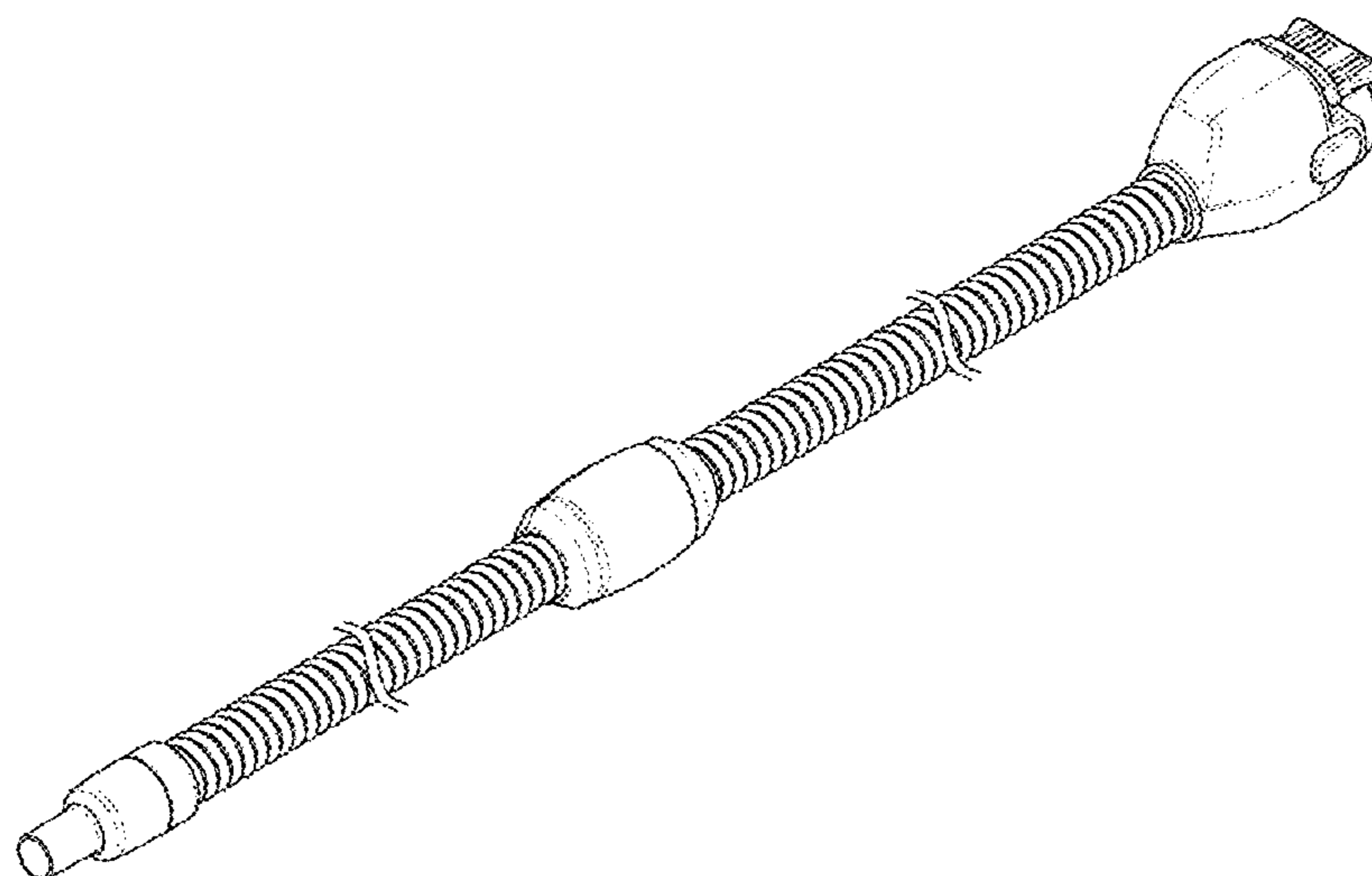
OTHER PUBLICATIONS
International Standard, ISO 11664-4, dated Nov. 1, 2008; 18 pages.
(Continued)

Primary Examiner — Karen E Kearney
Assistant Examiner — Lilyana Bekic
(74) *Attorney, Agent, or Firm* — Knobbe, Martens, Olson
& Bear, LLP

(57) **CLAIM**
The ornamental design for a breathing tube, as shown and
described.

DESCRIPTION
FIG. 1 is a top, front, and side perspective view of a
breathing tube embodying our new design.
FIG. 2 is a front view thereof.
FIG. 3 is a rear view thereof.
FIG. 4 is a right side view thereof.
FIG. 5 is a left side view thereof.
FIG. 6 is a top view thereof.
FIG. 7 is a bottom view thereof; and,
FIG. 8 is an enlarged view of a portion of FIG. 4 taken at 8-8,
showing a bead that is lined for the color blue with the bead
being positioned between intervening portions of a wall of
a conduit of the breathing tube.
The breathing tube assembly is shown with a symbolic break
in its length. The appearance of any portion of the article
between the break lines forms no part of the claimed design.
The drawing is lined for color. The color and shading of the
bead is a blue color value in the L*a*b* color space of L =42
to 48; a =10 to 18; b =-69 to -53 according to color
measurement standard ISO 11664-4:2008(E)/CIE S 014-4/
E:2007.
The references to “left,” “right,” “front,” “rear,” “top,” and
“bottom” in the figure descriptions are not meant to require
certain in-use orientation; the breathing tube according to
the claim design may be used in any orientation.
The broken lines in the drawings depict portions of the
breathing tube that form no part of the claimed design.

1 Claim, 5 Drawing Sheets



(58) **Field of Classification Search**

CPC A61M 16/0616; A61M 16/0633; A61M
 16/06; A61M 16/0666; A61M 16/0683;
 A61M 16/0875; A61M 16/0816; A61M
 16/08; A61M 16/0605; A61M 16/0622;
 A61M 16/0644

See application file for complete search history.

D751,687 S * 3/2016 Daly D24/110
 D751,688 S * 3/2016 Daly D24/110
 D761,422 S * 7/2016 Row D24/129
 D762,843 S * 8/2016 Formica D24/110
 2012/0227738 A1* 9/2012 Virr A61M 16/0051
 128/204.21
 2013/0333701 A1* 12/2013 Herron A61M 16/0875
 128/203.27
 2015/0128944 A1* 5/2015 Buechi A61M 16/1065
 128/203.27
 2015/0306332 A1* 10/2015 Bafle A61M 16/0666
 128/202.27
 2017/0100556 A1* 4/2017 Munkelt A61M 16/0816

(56) **References Cited**

U.S. PATENT DOCUMENTS

4,686,354 A * 8/1987 Makin A61M 16/1075
 128/204.17
 7,226,302 B2* 6/2007 Walter A47L 9/246
 15/377
 D628,288 S * 11/2010 Row D24/129
 D629,891 S * 12/2010 Virr D24/129
 D629,892 S * 12/2010 Hill D24/129
 D638,536 S * 5/2011 Row D24/129
 D638,537 S * 5/2011 Virr D24/129
 D638,933 S * 5/2011 Hill D24/129
 D652,917 S * 1/2012 Hill D24/129
 D671,209 S * 11/2012 Row D24/129
 D742,508 S * 11/2015 Row D24/129

FOREIGN PATENT DOCUMENTS

WO WO 2014/088430 A1 6/2014
 WO WO 2015/142192 A1 9/2015

OTHER PUBLICATIONS

News Release; Airvo Nasal High Flow System; May 12, 2015; 2
 pages.

* cited by examiner

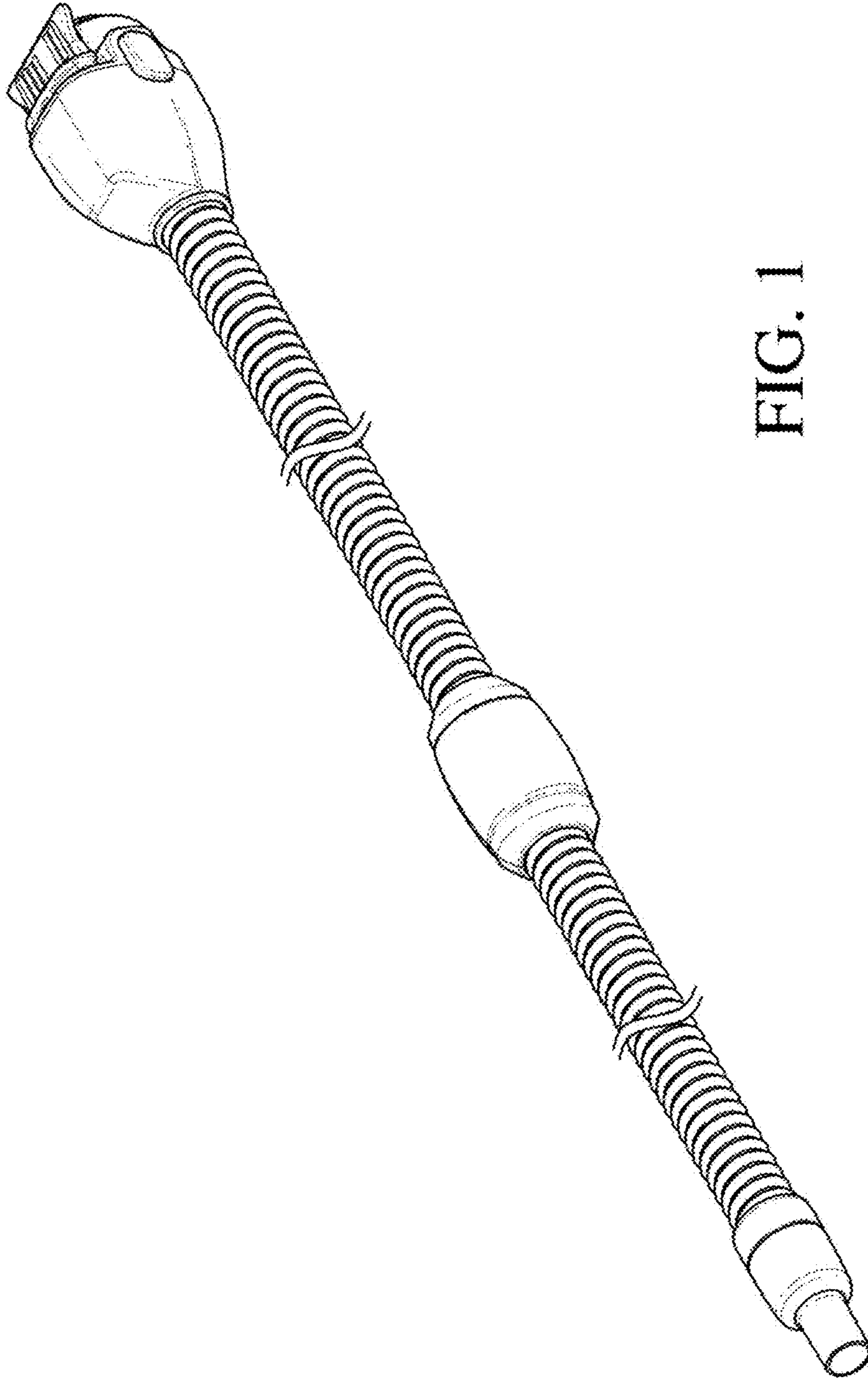


FIG. 1

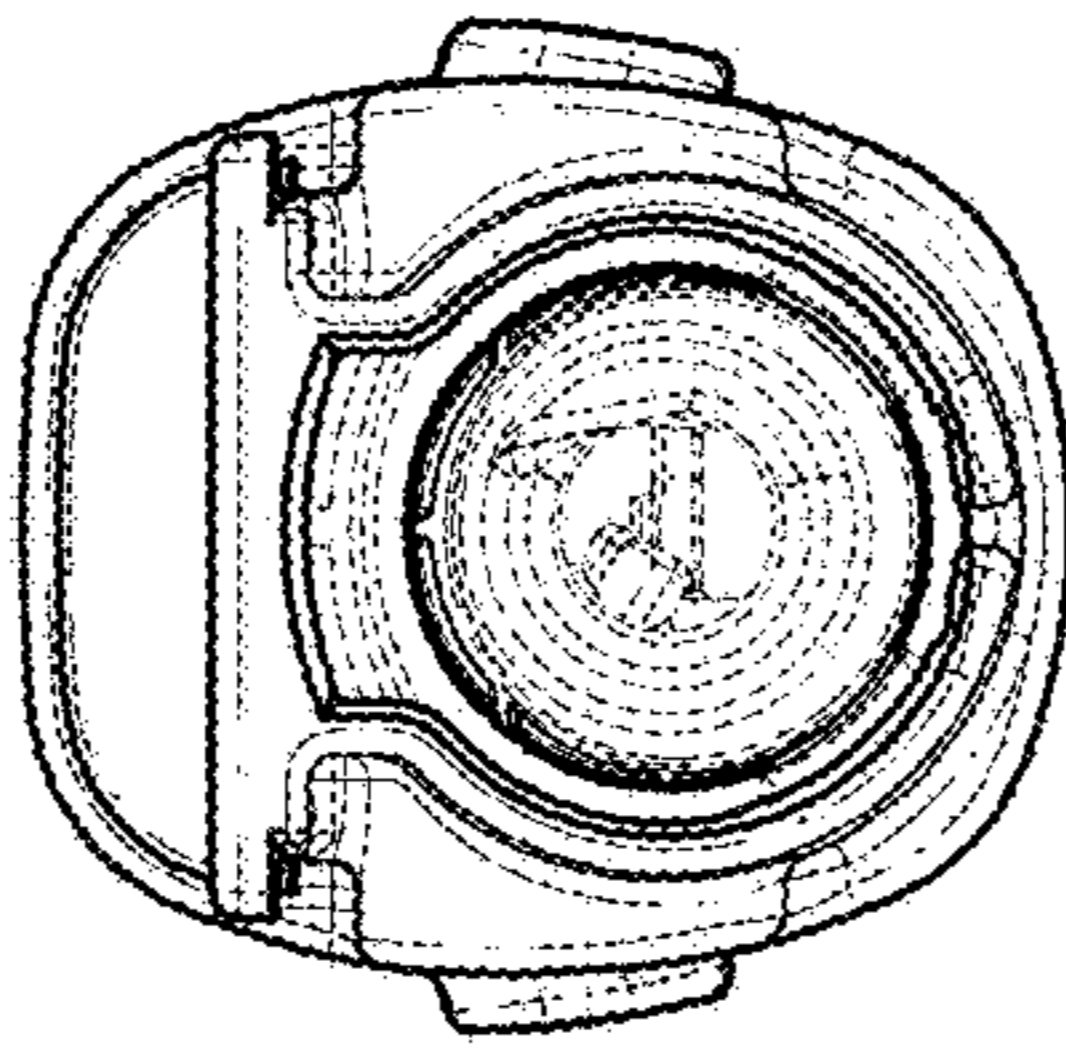


FIG. 3

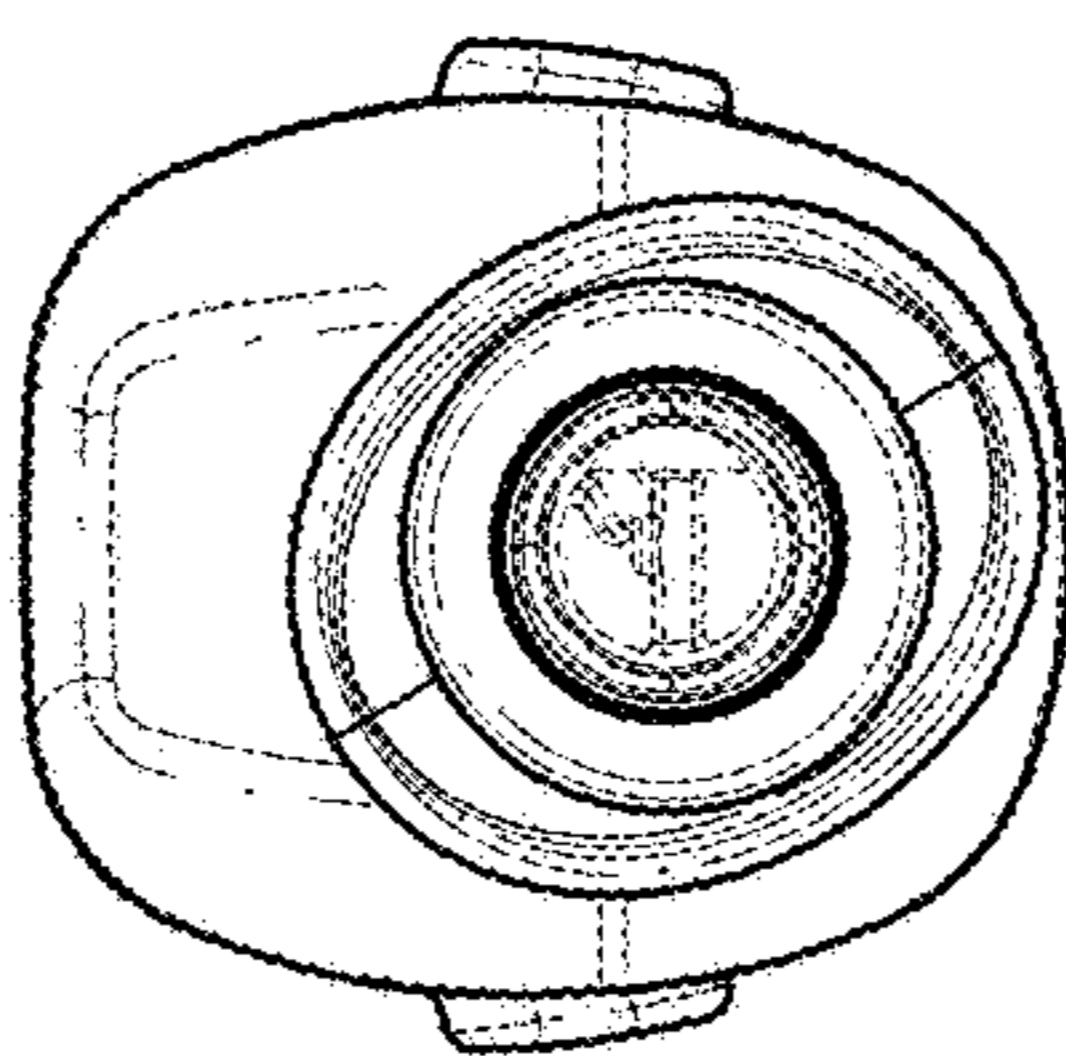


FIG. 2

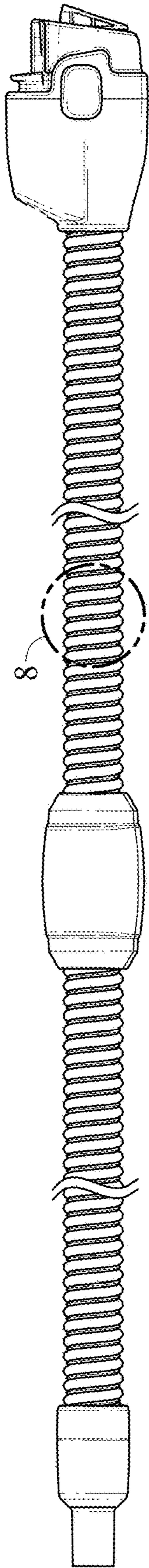


FIG. 4

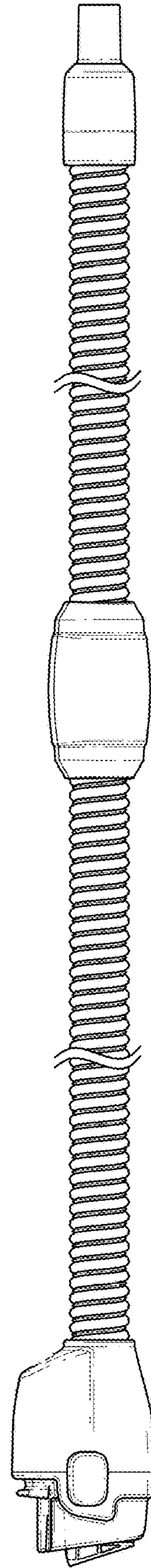


FIG. 5

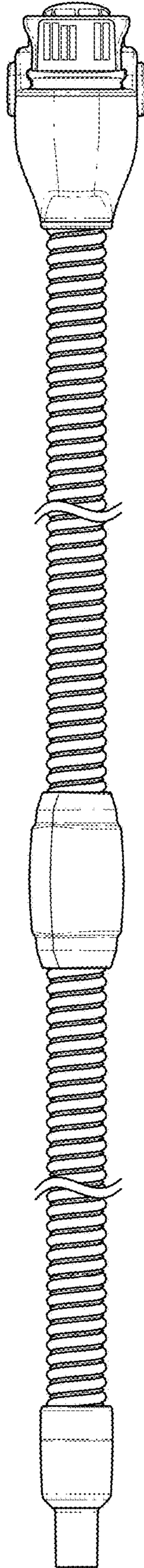


FIG. 6

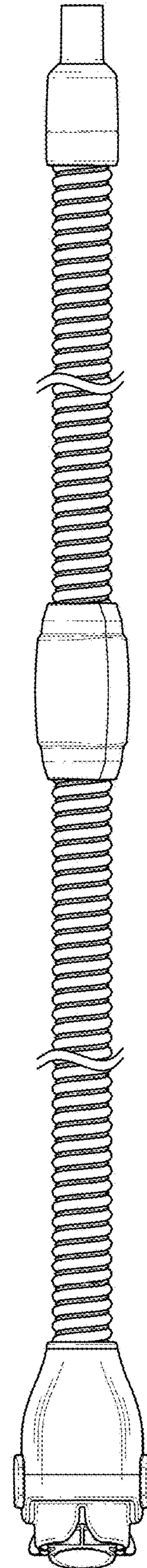


FIG. 7

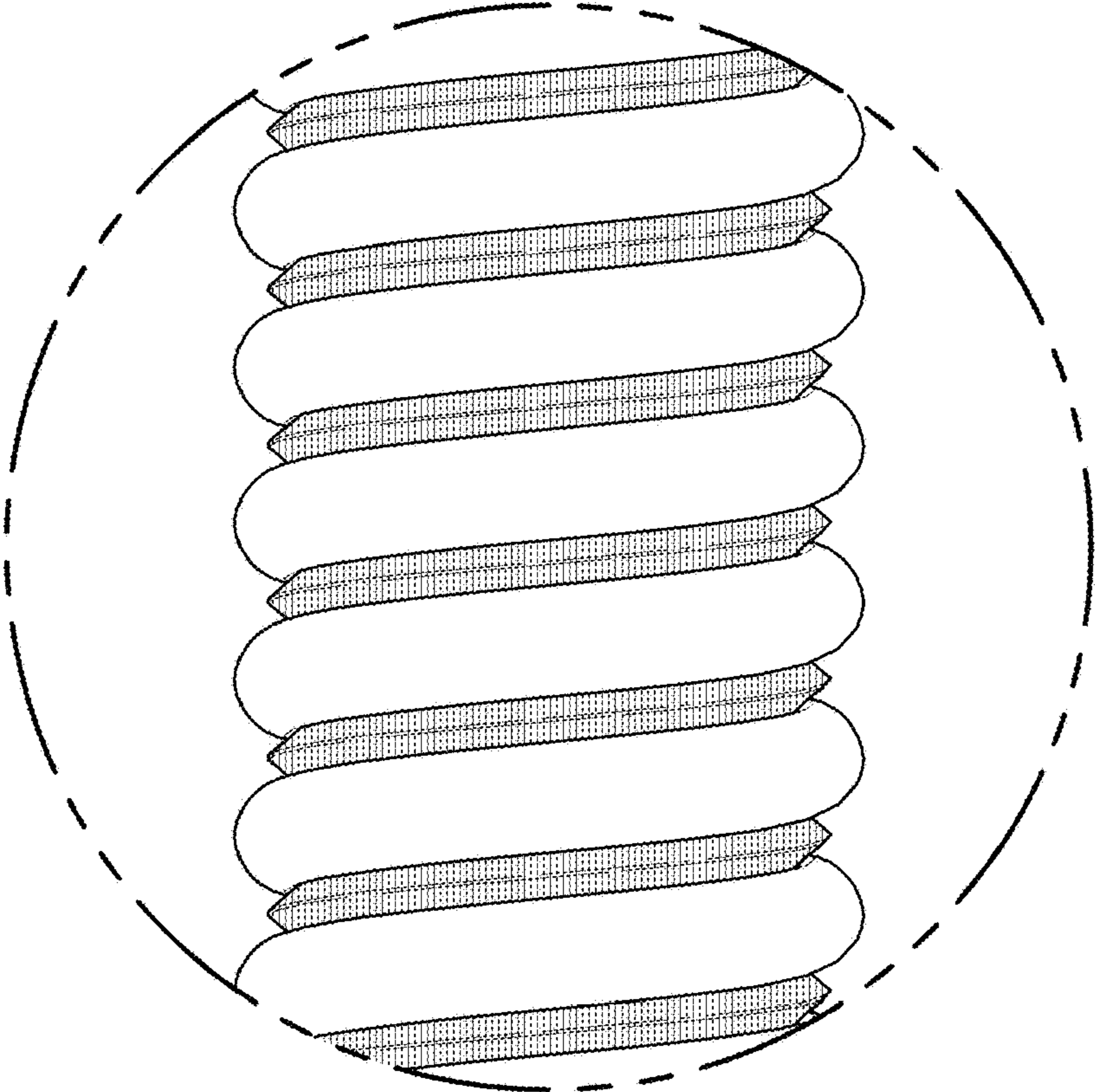


FIG. 8