



US00D841147S

(12) **United States Design Patent**
McCool et al.

(10) **Patent No.: US D841,147 S**

(45) **Date of Patent: ** *Feb. 19, 2019**

(54) **CIRCUIT KIT FOR A HUMIDIFIER**

(71) Applicant: **Fisher & Paykel Healthcare Limited,**
Auckland (NZ)

(72) Inventors: **Kiel Anthony McCool,** Auckland (NZ);
Callum McDonald Ross, Auckland
(NZ)

(73) Assignee: **Fisher & Paykel Healthcare Limited,**
Auckland (NZ)

(*) Notice: This patent is subject to a terminal disclaimer.

(**) Term: **15 Years**

(21) Appl. No.: **29/541,180**

(22) Filed: **Sep. 30, 2015**

(51) **LOC (11) Cl.** **29-02**

(52) **U.S. Cl.**
USPC **D24/110**

(58) **Field of Classification Search**
USPC D24/110, 110.1-110.5, 127, 129
CPC A61M 16/0616; A61M 16/0633; A61M
16/06; A61M 16/0666; A61M 16/0683;
A61M 16/0875; A61M 16/0816; A61M
16/08; A61M 16/0605; A61M 16/0622;
A61M 16/0644

See application file for complete search history.

(56) **References Cited**

U.S. PATENT DOCUMENTS

- 2,516,864 A * 8/1950 Gilmore B29B 13/00
138/133
- 4,188,081 A * 2/1980 Holden A47L 9/246
439/192
- 4,686,354 A * 8/1987 Makin A61M 16/1075
128/204.17
- 7,226,302 B2 * 6/2007 Walter A47L 9/246
15/377
- D628,288 S * 11/2010 Row D24/129

- D629,891 S * 12/2010 Virr D24/129
- D629,892 S * 12/2010 Hill D24/129
- D638,536 S * 5/2011 Row D24/129
- D638,537 S * 5/2011 Virr D24/129

(Continued)

Primary Examiner — Karen E Kearney

Assistant Examiner — Lilyana Bekic

(74) *Attorney, Agent, or Firm* — Knobbe, Martens, Olson
& Bear, LLP

(57) **CLAIM**

The ornamental design for a circuit kit for a humidifier, as shown and described.

DESCRIPTION

FIG. 1 is a top, front, and side perspective view of a first embodiment of a circuit kit for a humidifier embodying our new design;

FIG. 2 is a first side view thereof;

FIG. 3 is a second side view thereof;

FIG. 4 is a top view thereof;

FIG. 5 is a bottom view thereof;

FIG. 6 is a front view thereof; and

FIG. 7 is a rear view thereof.

FIG. 8 is a top, rear, and side perspective view of a second embodiment of a circuit kit for a humidifier embodying our new design;

FIG. 9 is a first side view thereof, the second side being a mirror image thereof;

FIG. 10 is a top view thereof;

FIG. 11 is a bottom view thereof;

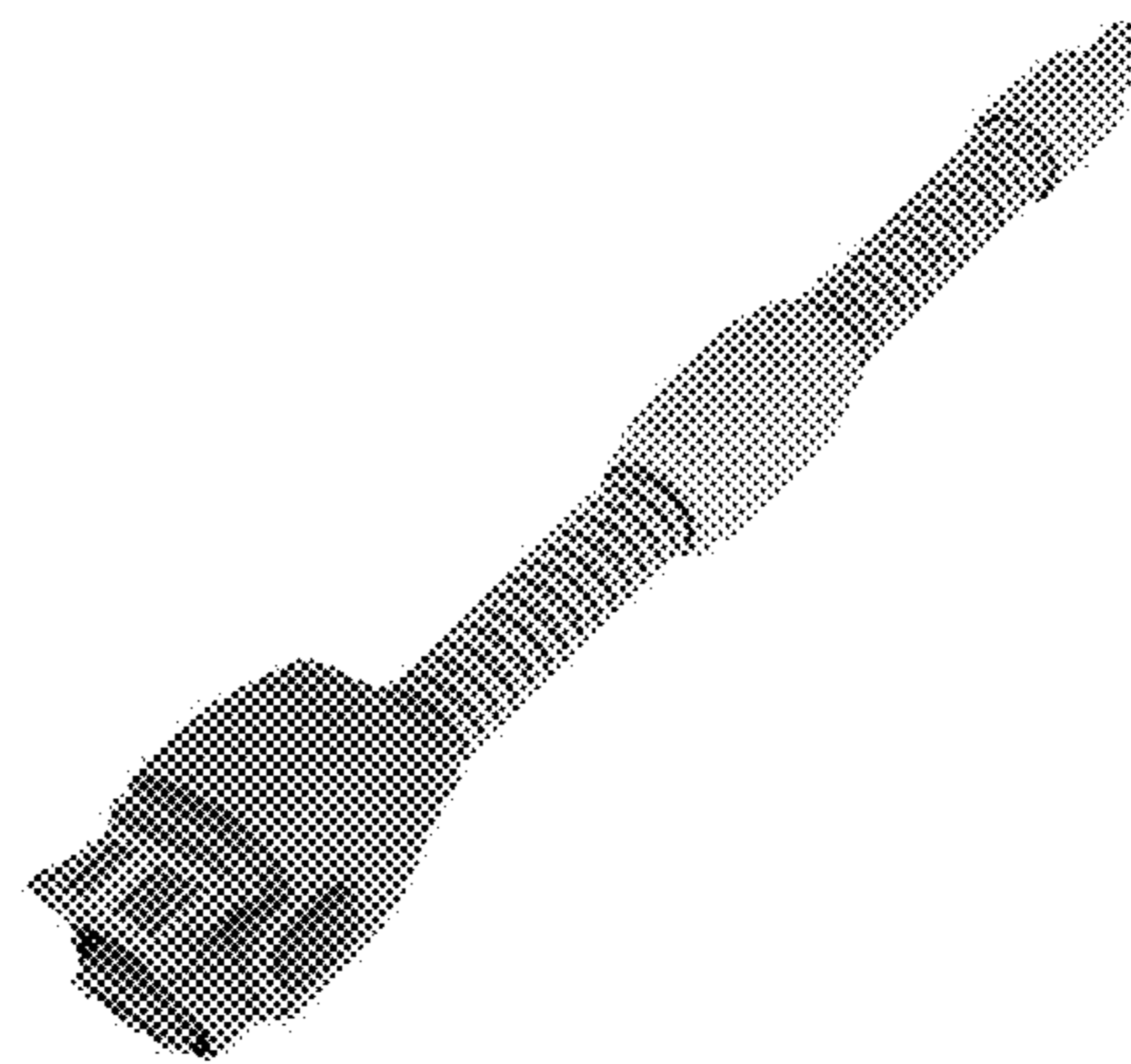
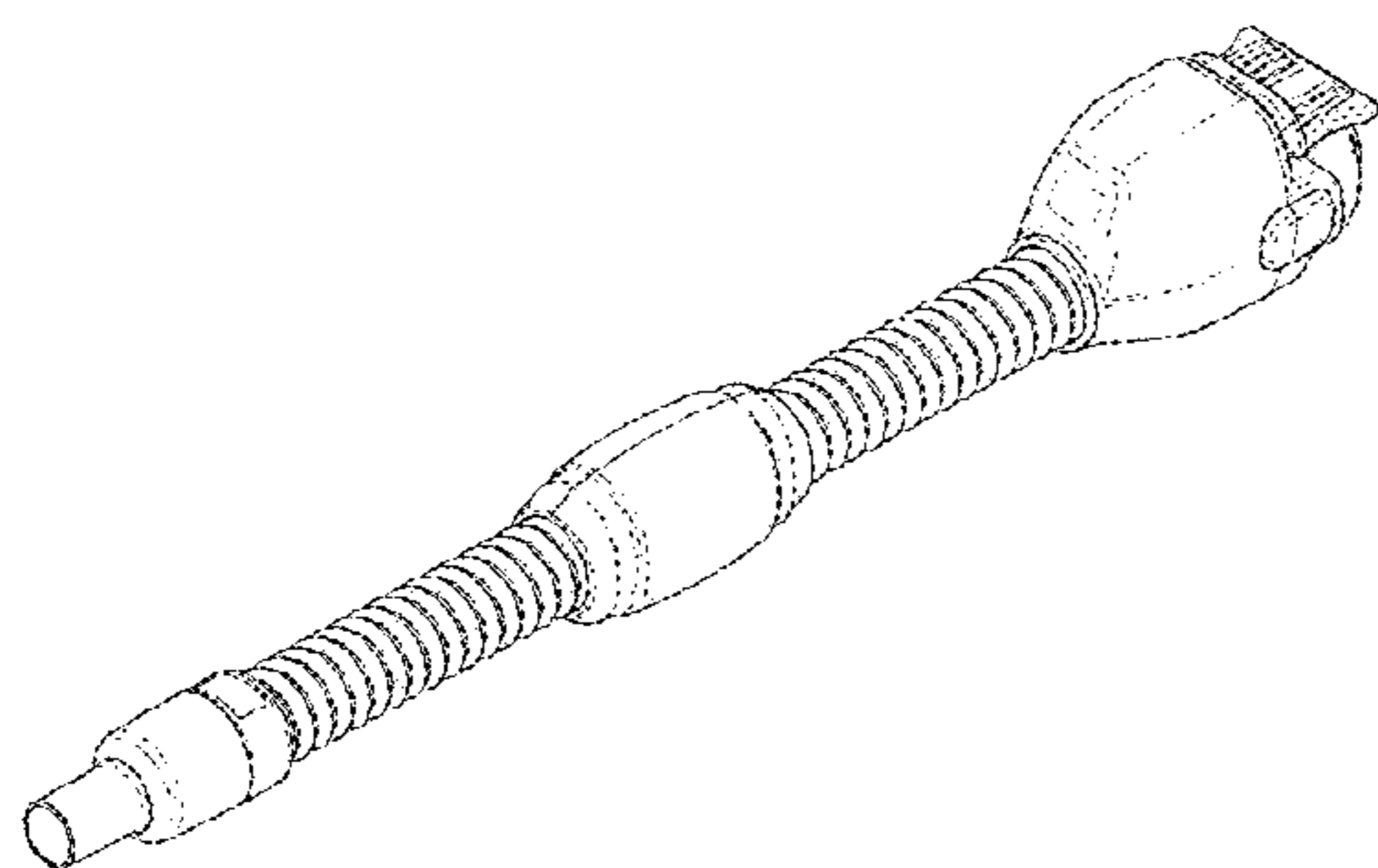
FIG. 12 is a front view thereof; and,

FIG. 13 is a rear view thereof.

Broken lines are used to illustrate features of the circuit kit for a humidifier which form no part of the claimed design.

The dot-dash lines in the figures show boundaries that form no part of the claimed design. The masked areas adjacent the dot-dash lines form no part of the claimed design.

1 Claim, 10 Drawing Sheets



(56)

References Cited

U.S. PATENT DOCUMENTS

D638,933 S * 5/2011 Hill D24/129
D652,917 S * 1/2012 Hill D24/129
D671,209 S * 11/2012 Row D24/129
D742,508 S * 11/2015 Row D24/129
D751,687 S * 3/2016 Daly D24/110
D751,688 S * 3/2016 Daly D24/110
D761,422 S * 7/2016 Row D24/129
D762,843 S * 8/2016 Formica D24/110
2012/0227738 A1* 9/2012 Virr A61M 16/0051
128/204.21
2013/0333701 A1* 12/2013 Herron A61M 16/0875
128/203.27
2015/0128944 A1* 5/2015 Buechi A61M 16/1065
128/203.27
2015/0306332 A1* 10/2015 Bafle A61M 16/0666
128/202.27
2017/0100556 A1* 4/2017 Munkelt A61M 16/0816

* cited by examiner

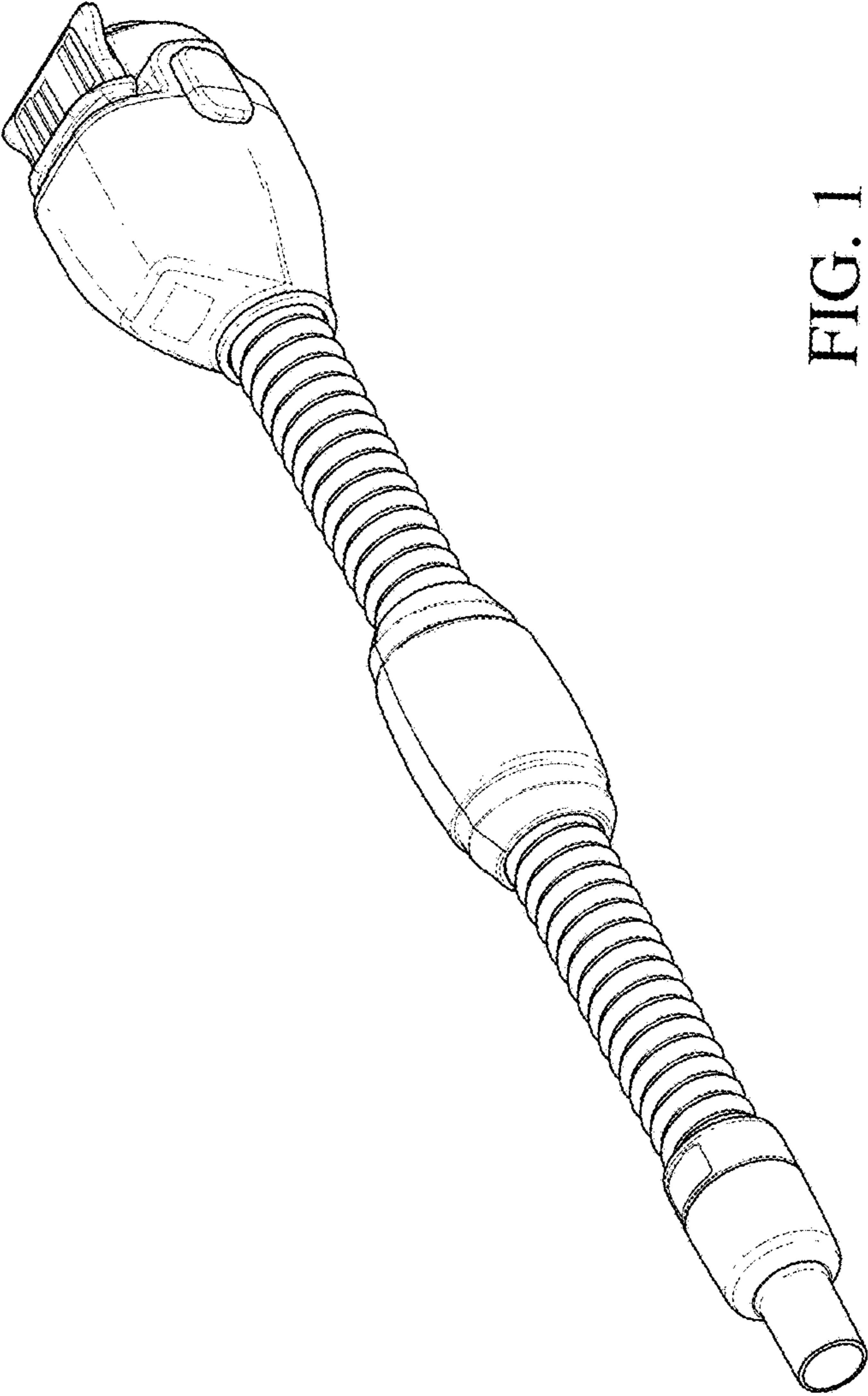


FIG. 1

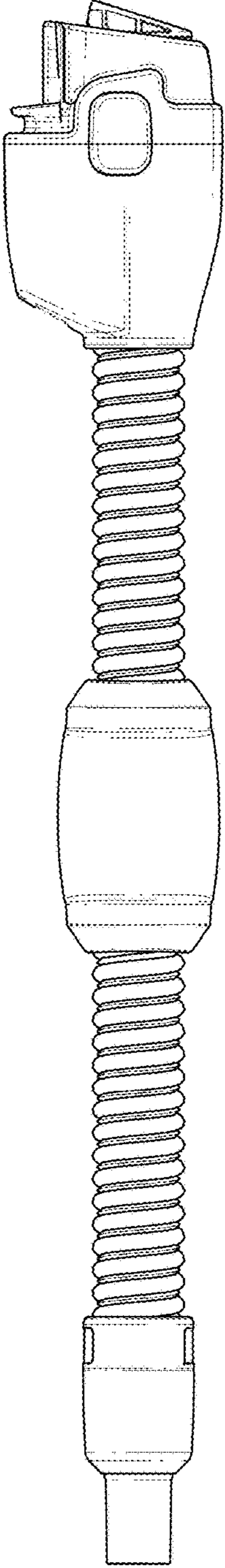


FIG. 2

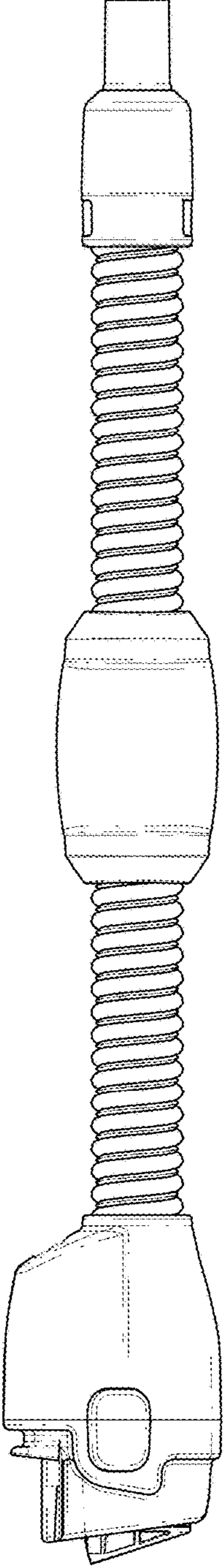


FIG. 3

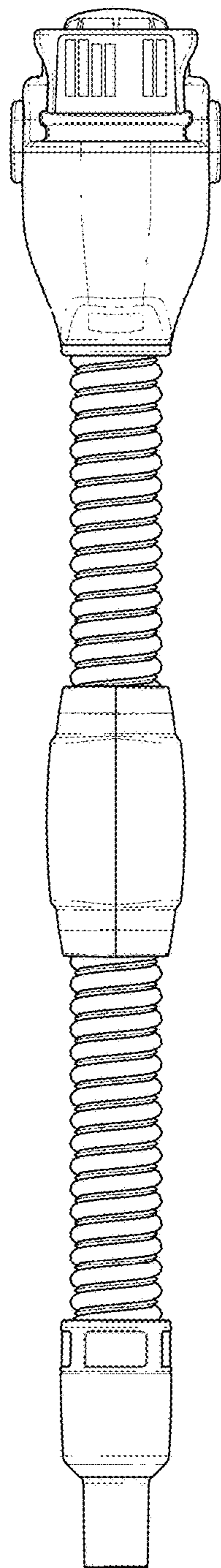


FIG. 4

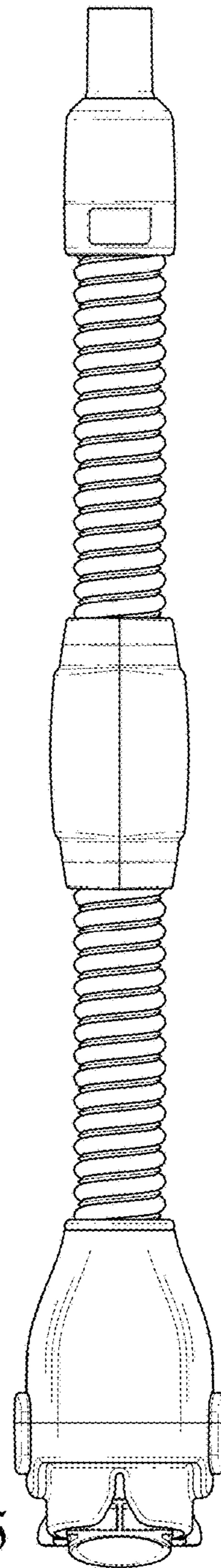


FIG. 5

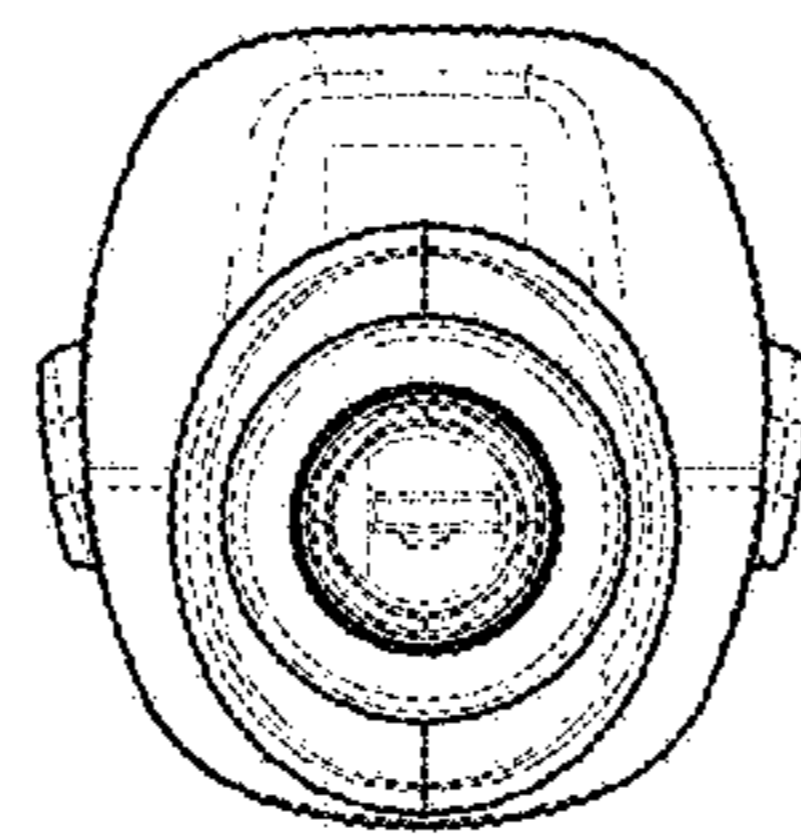


FIG. 6

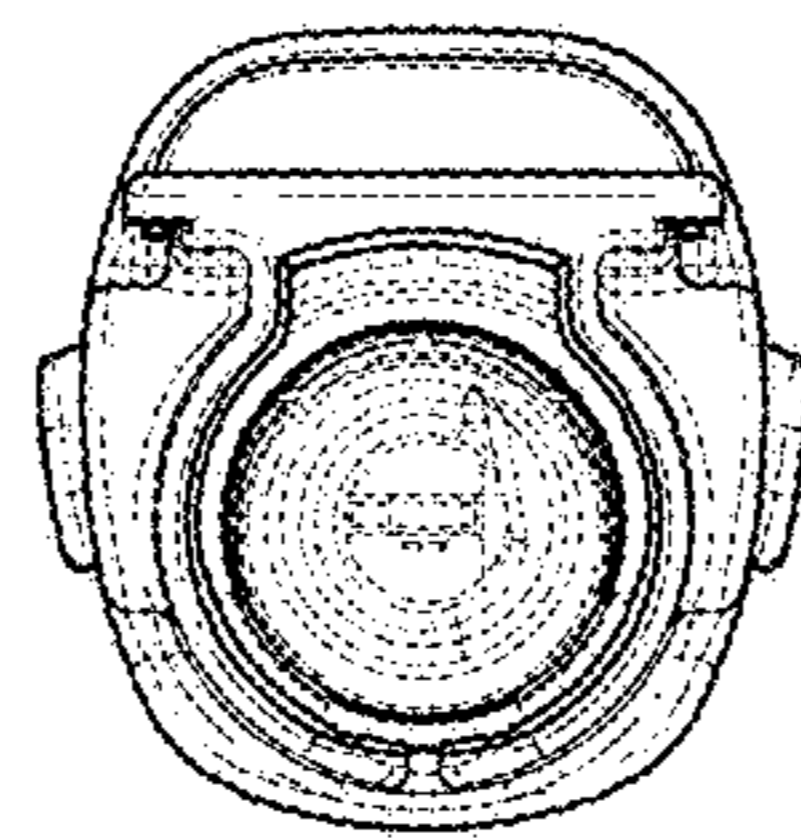


FIG. 7



FIG. 8

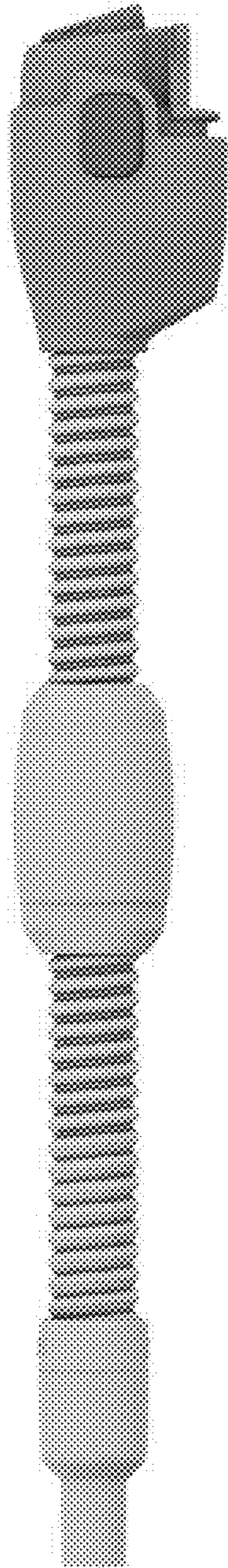


FIG. 9

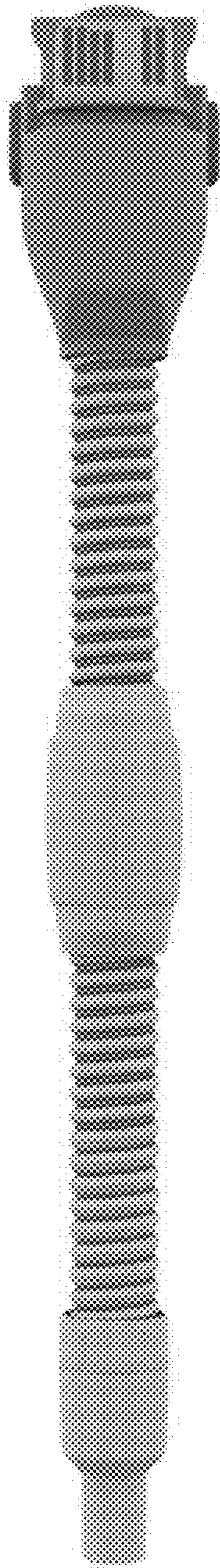


FIG. 10

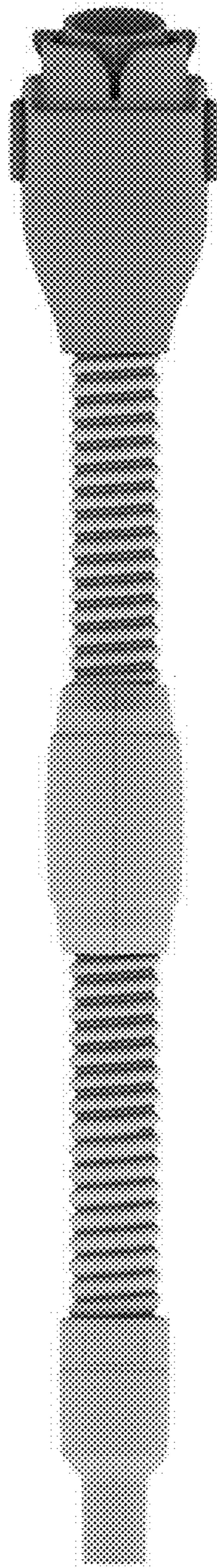


FIG. 11

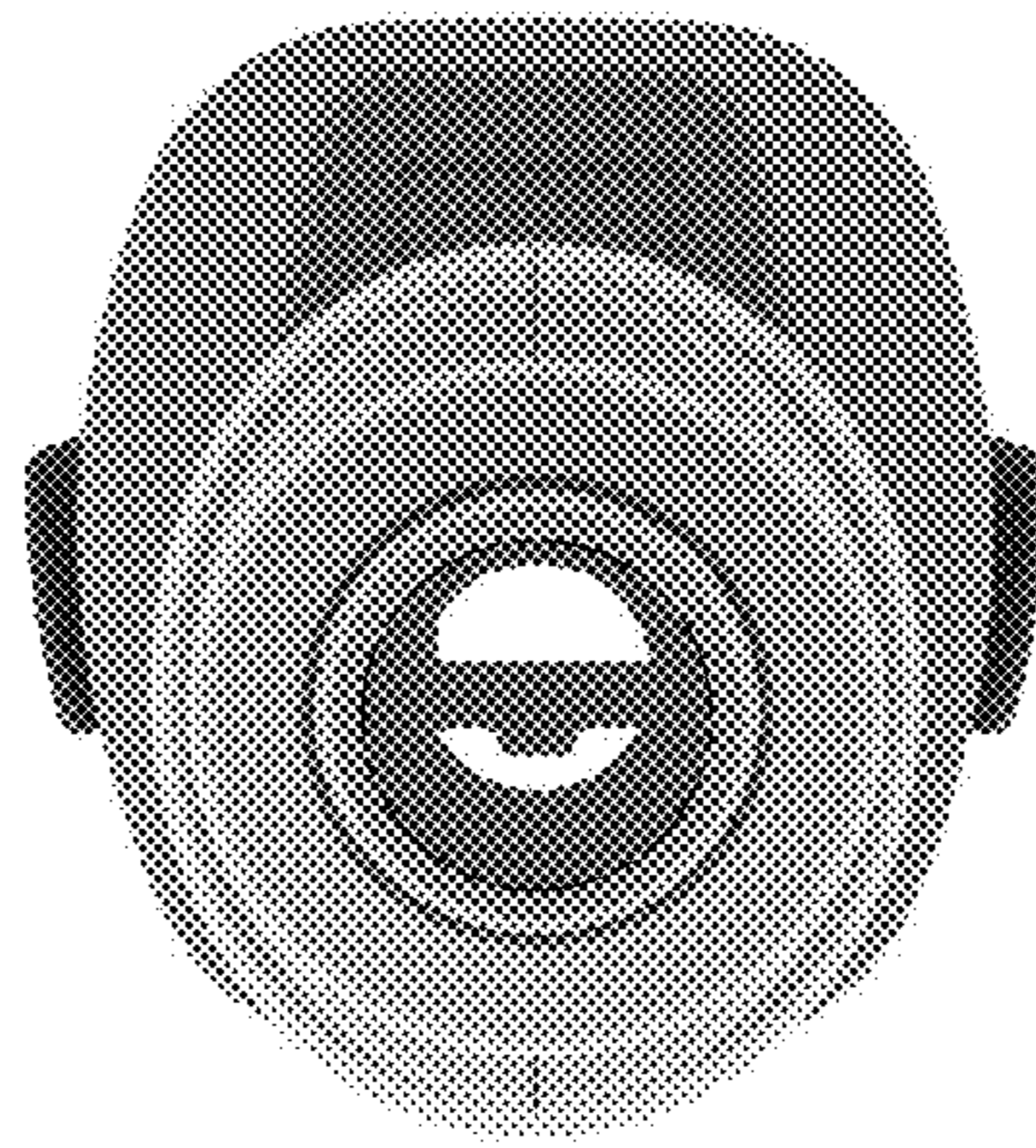


FIG. 12



FIG. 13