



US00D841146S

(12) **United States Design Patent**
Cui

(10) **Patent No.:** **US D841,146 S**

(45) **Date of Patent:** **** Feb. 19, 2019**

(54) **AXIAL FAN RACK**

(71) Applicant: **Foshan Naibao Electric Co., Ltd.**,
Foshan (CN)

(72) Inventor: **Jiayao Cui**, Foshan (CN)

(73) Assignee: **Foshan Naibao Electric Co., Ltd.**
(CN)

(**) Term: **15 Years**

(21) Appl. No.: **29/611,324**

(22) Filed: **Jul. 20, 2017**

(30) **Foreign Application Priority Data**

Jun. 15, 2017 (CN) 2017 3 0246425

(51) **LOC (11) Cl.** **23-04**

(52) **U.S. Cl.**
USPC **D23/411**

(58) **Field of Classification Search**

USPC D23/370-379, 381-385, 411-414, 360,
D23/314, 335, 332; D26/59, 106, 61-62,
D26/104, 63-65; D32/15
CPC F04D 5/00; F04D 27/00; F04D 29/329;
F24H 3/04

See application file for complete search history.

(56) **References Cited**

U.S. PATENT DOCUMENTS

D329,696 S * 9/1992 Ediger D23/411
D358,639 S * 5/1995 Chiu D13/162

D442,274 S * 5/2001 Lee D23/411
D570,469 S * 6/2008 Hsu D23/411
D632,777 S * 2/2011 Sterpka D23/411
D778,420 S * 2/2017 Israel D23/370
D791,927 S * 7/2017 Cartwright D23/370
D818,110 S * 5/2018 Ediger D23/411
D818,111 S * 5/2018 Ediger D23/411

* cited by examiner

Primary Examiner — Janice Hallmark

(74) *Attorney, Agent, or Firm* — Lerner, David,
Littenberg, Krumholz & Mentlik, LLP

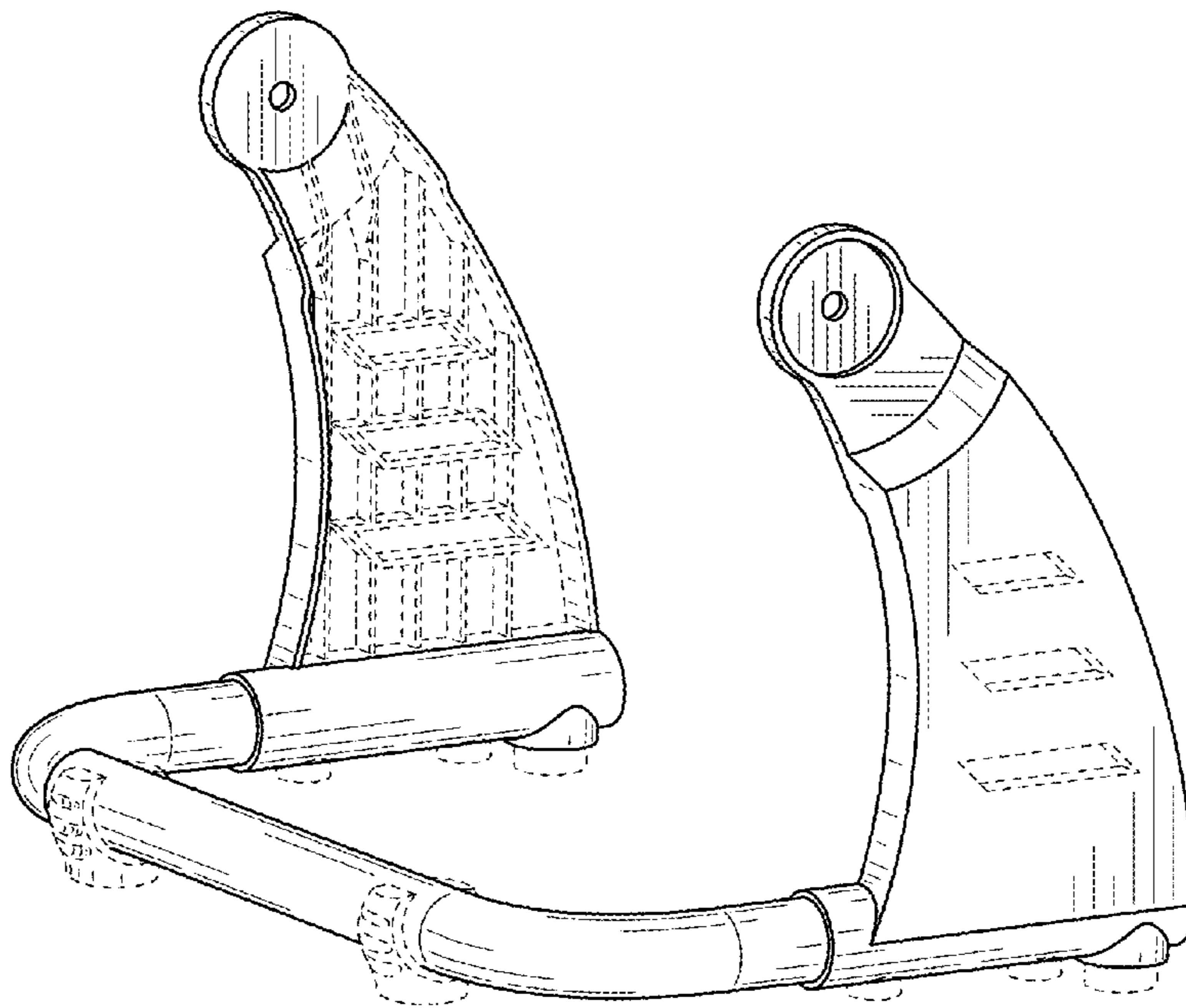
(57) **CLAIM**

The ornamental design for an axial fan rack, as shown and described.

DESCRIPTION

FIG. 1 is a front perspective view of an axial fan rack according to my design;
FIG. 2 is a front elevational view thereof;
FIG. 3 is a rear elevational view thereof;
FIG. 4 is a right side elevational view thereof;
FIG. 5 is a left side elevational view thereof;
FIG. 6 is a top plan view thereof;
FIG. 7 is a bottom plan view thereof; and,
FIG. 8 is a rear perspective view of thereof.
The broken lines shown in the drawings are for the purpose of illustrating environmental structure and form no part of the claimed design.

1 Claim, 4 Drawing Sheets



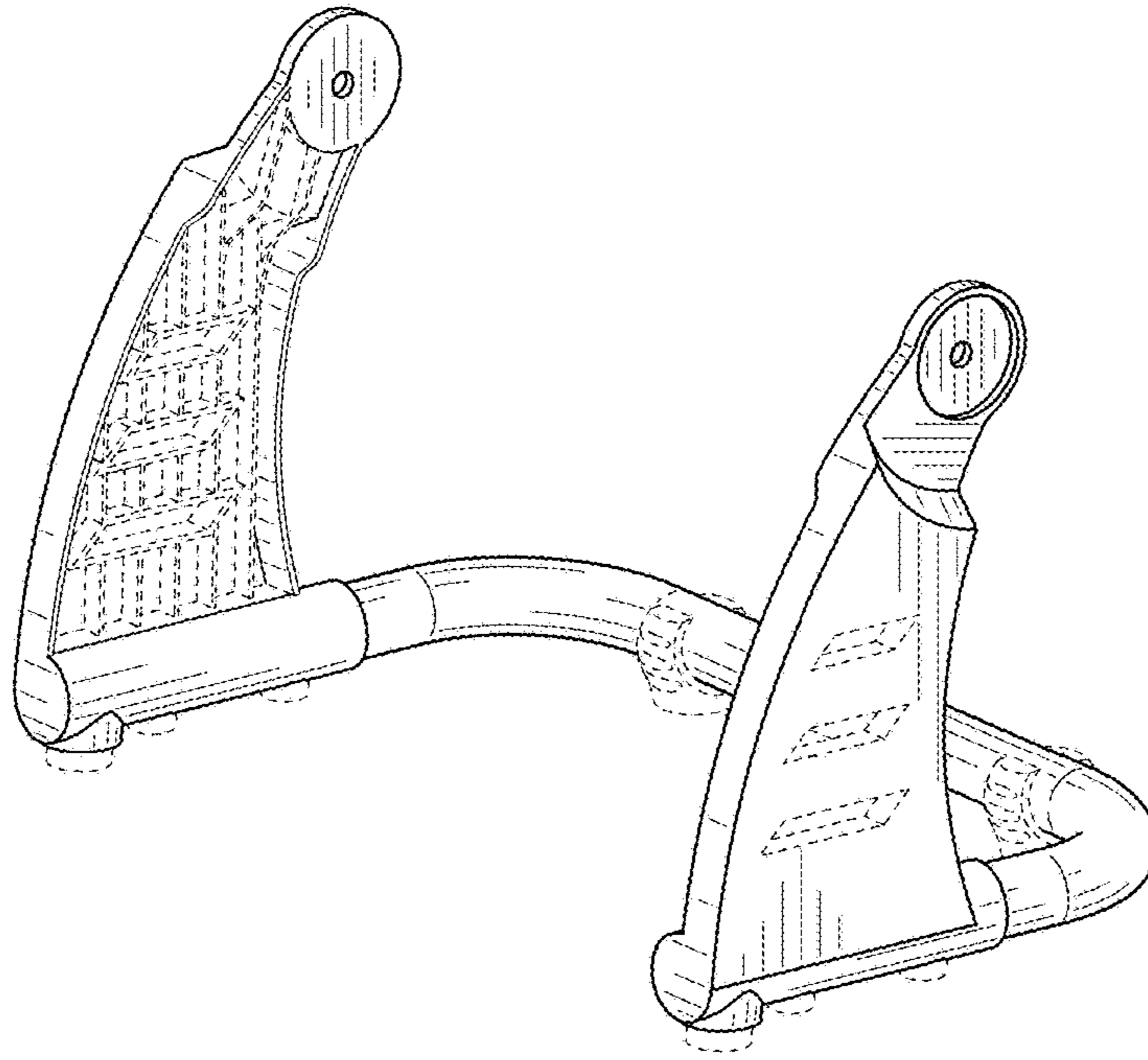


FIG.1

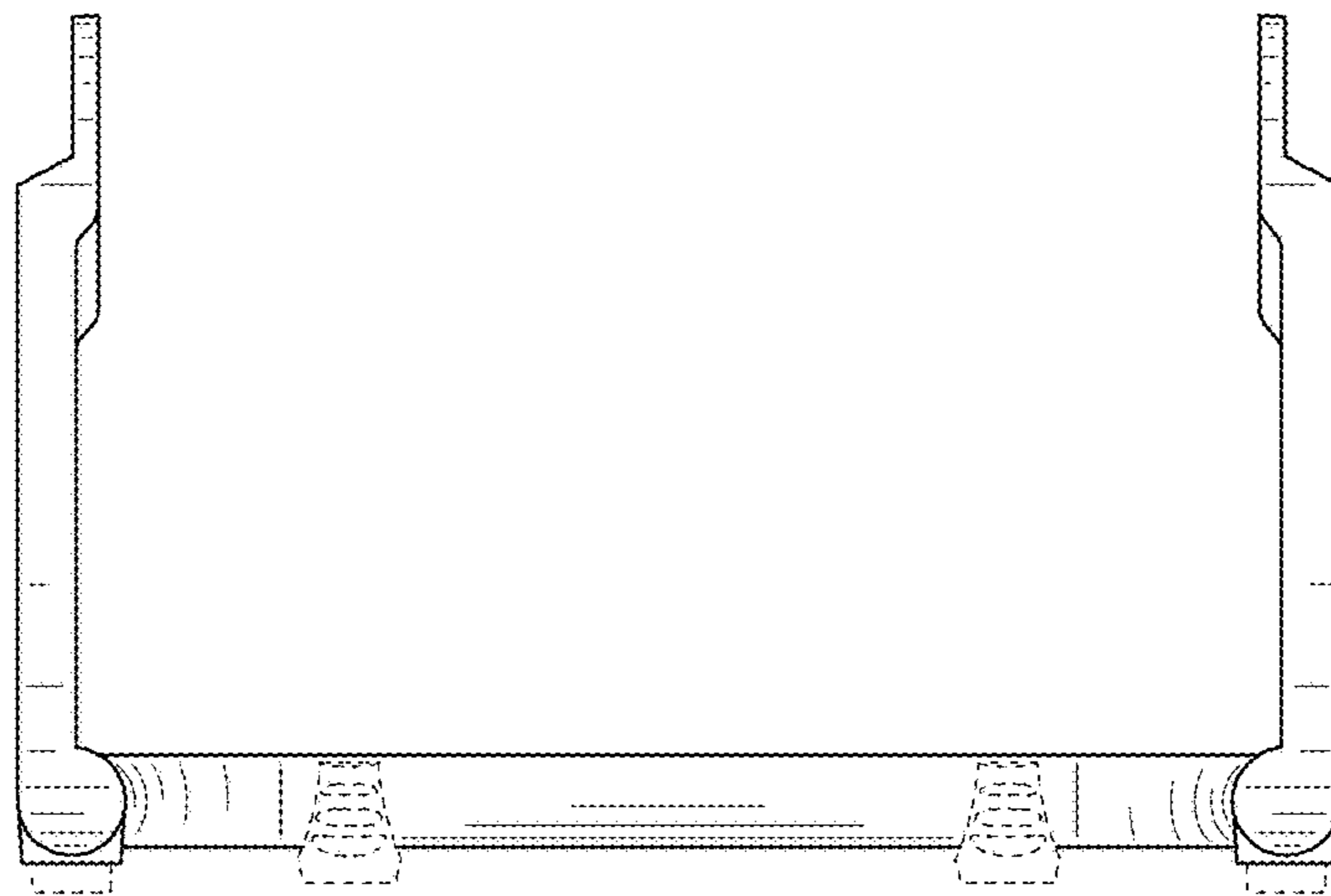


FIG.2

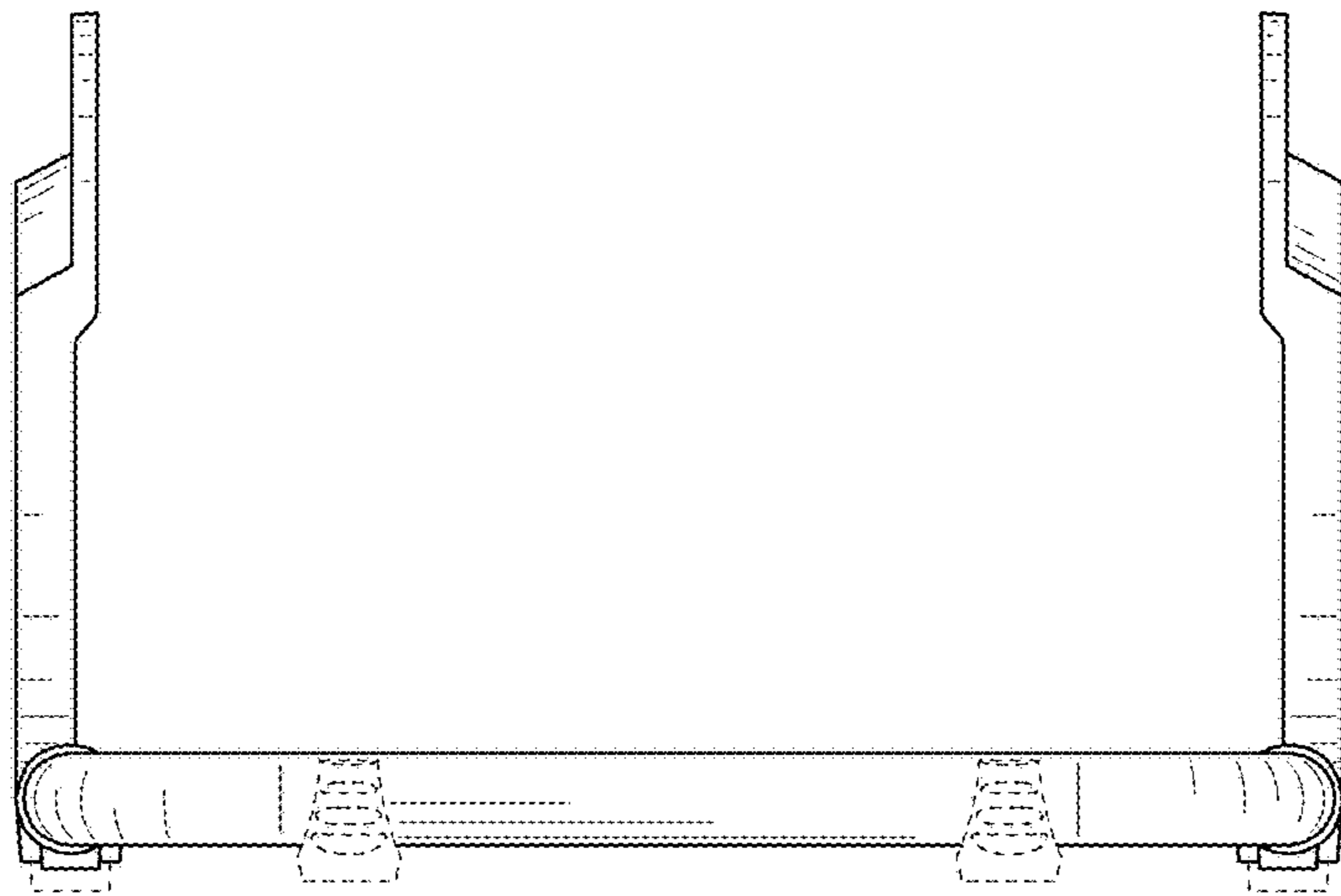


FIG.3

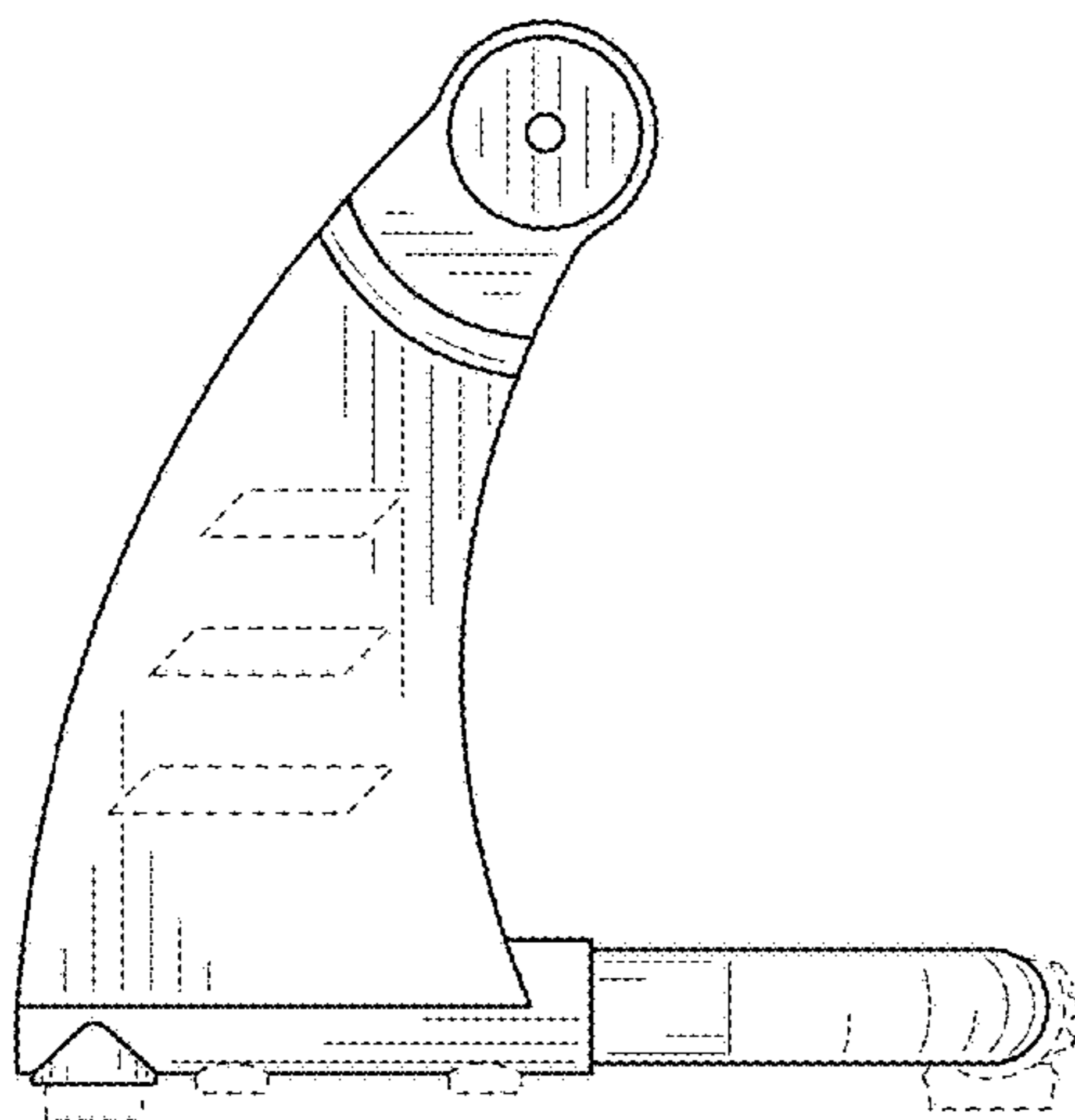


FIG.4

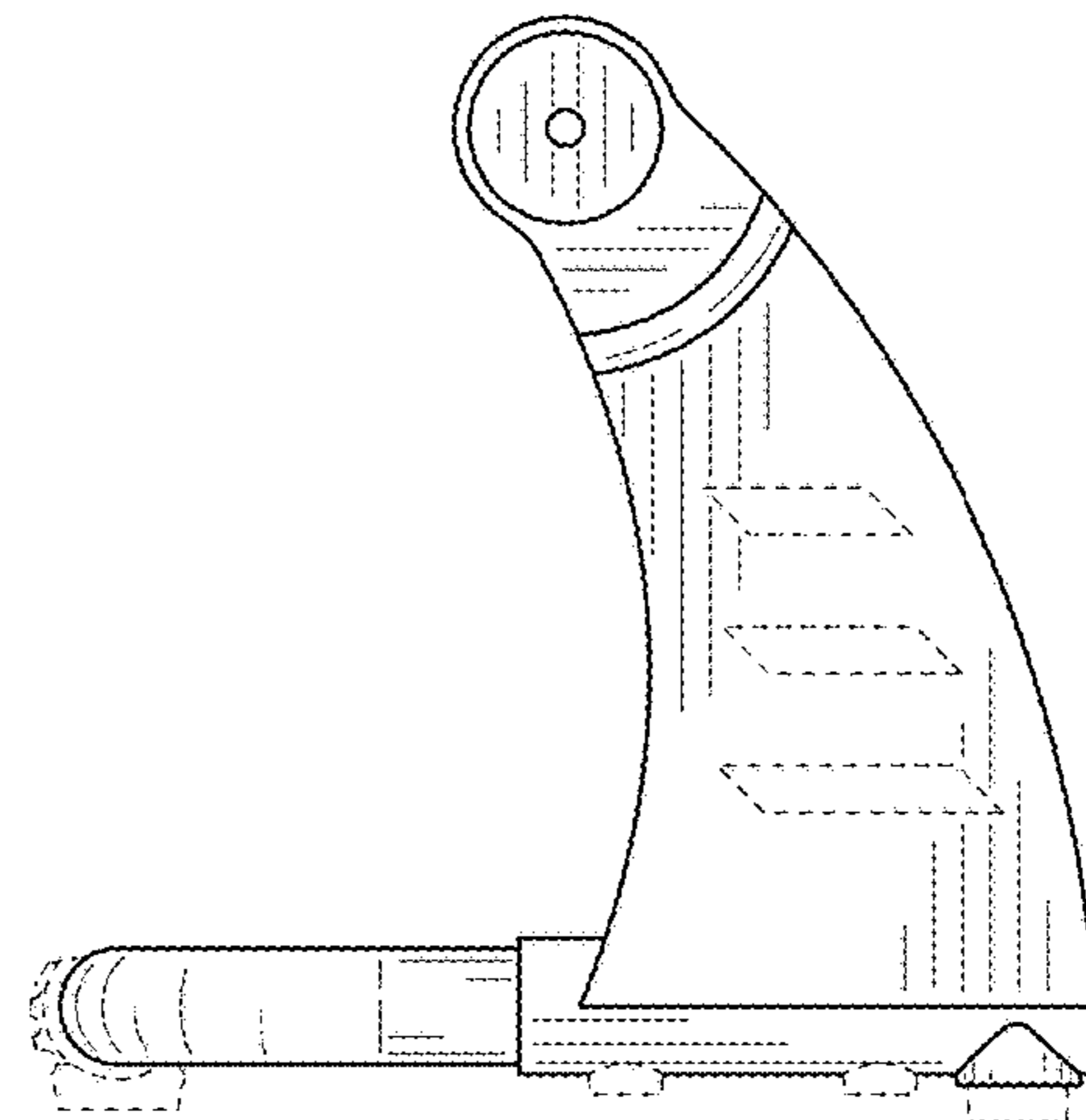


FIG.5

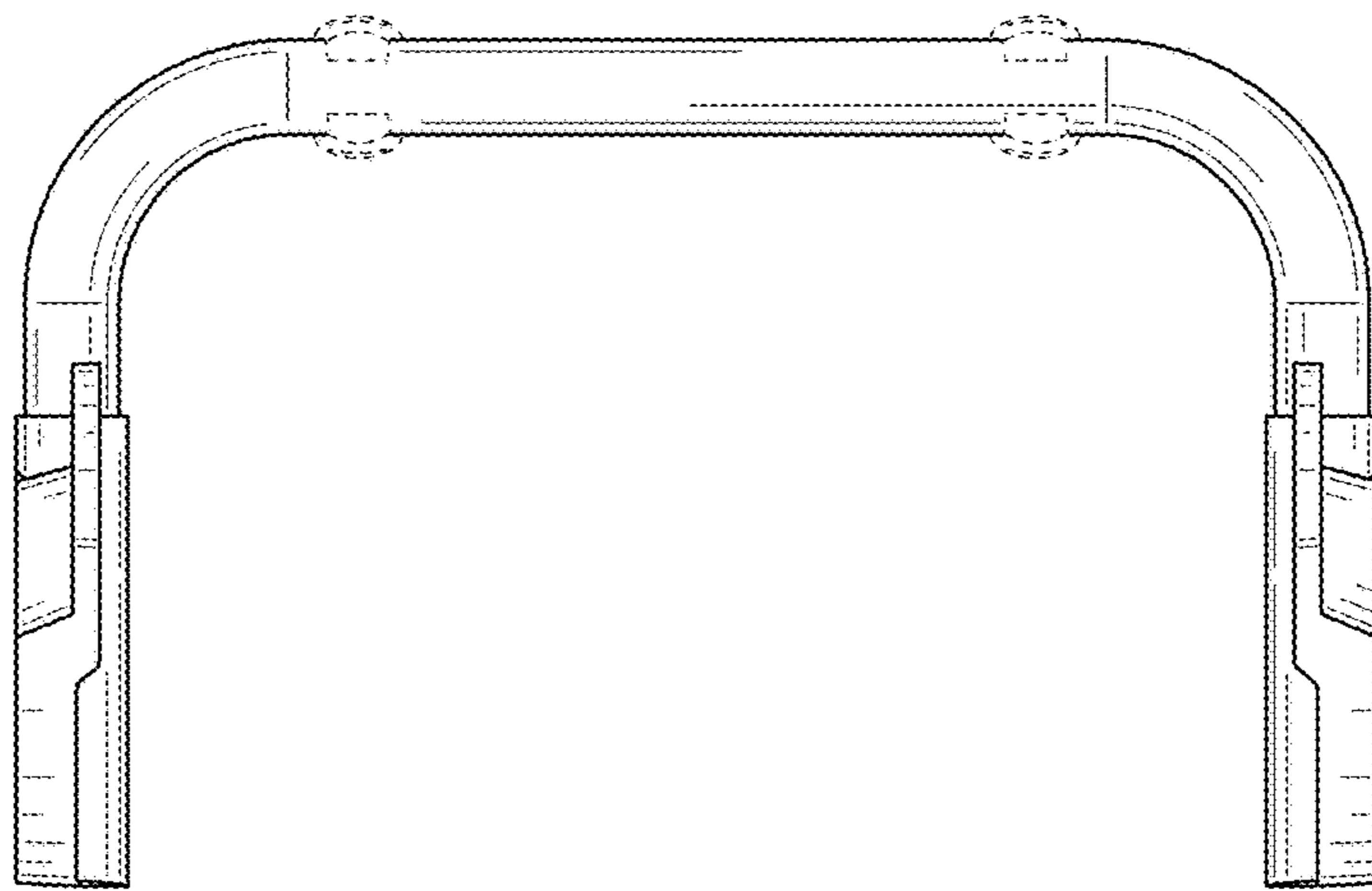


FIG. 6

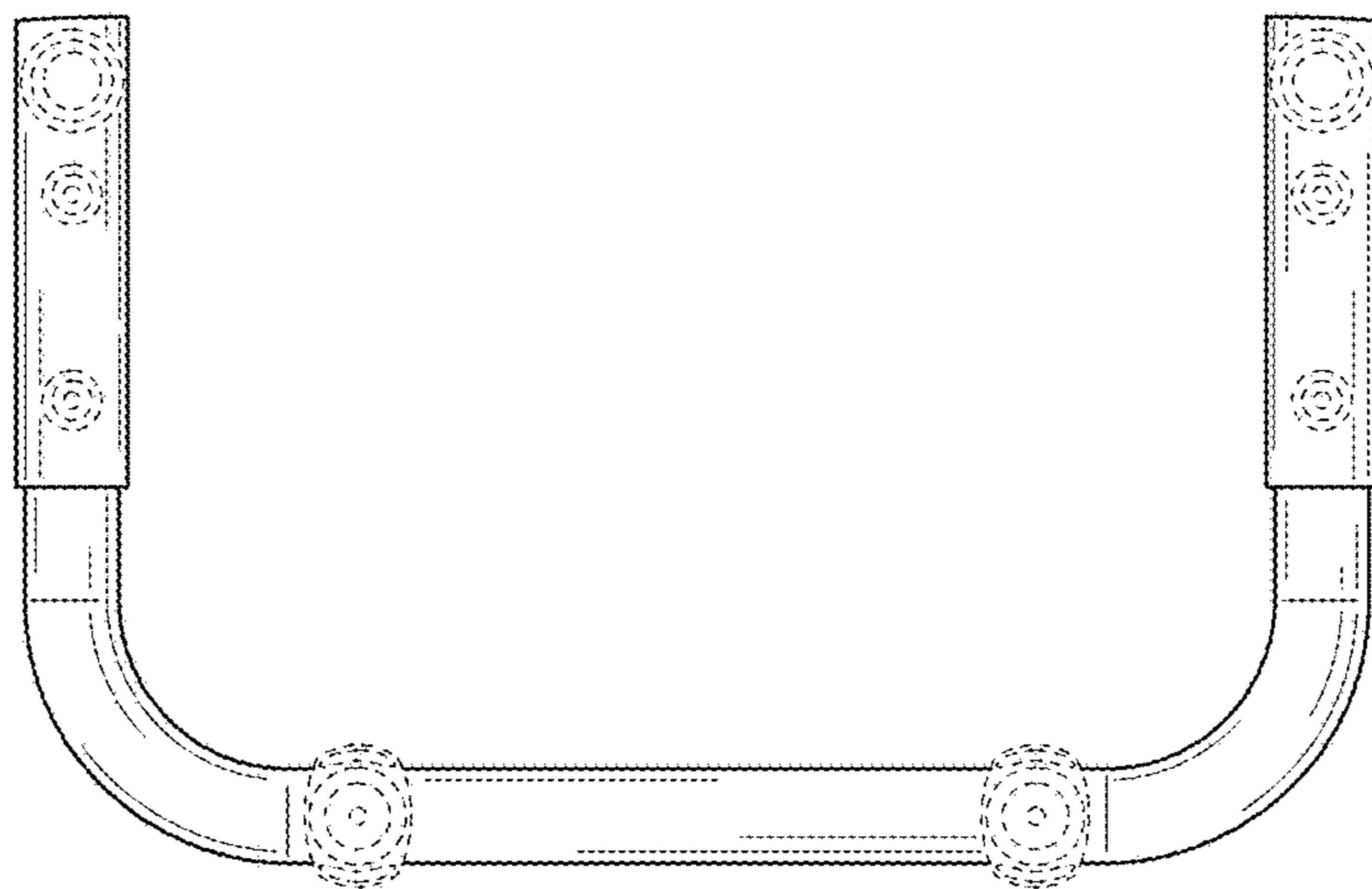


FIG. 7

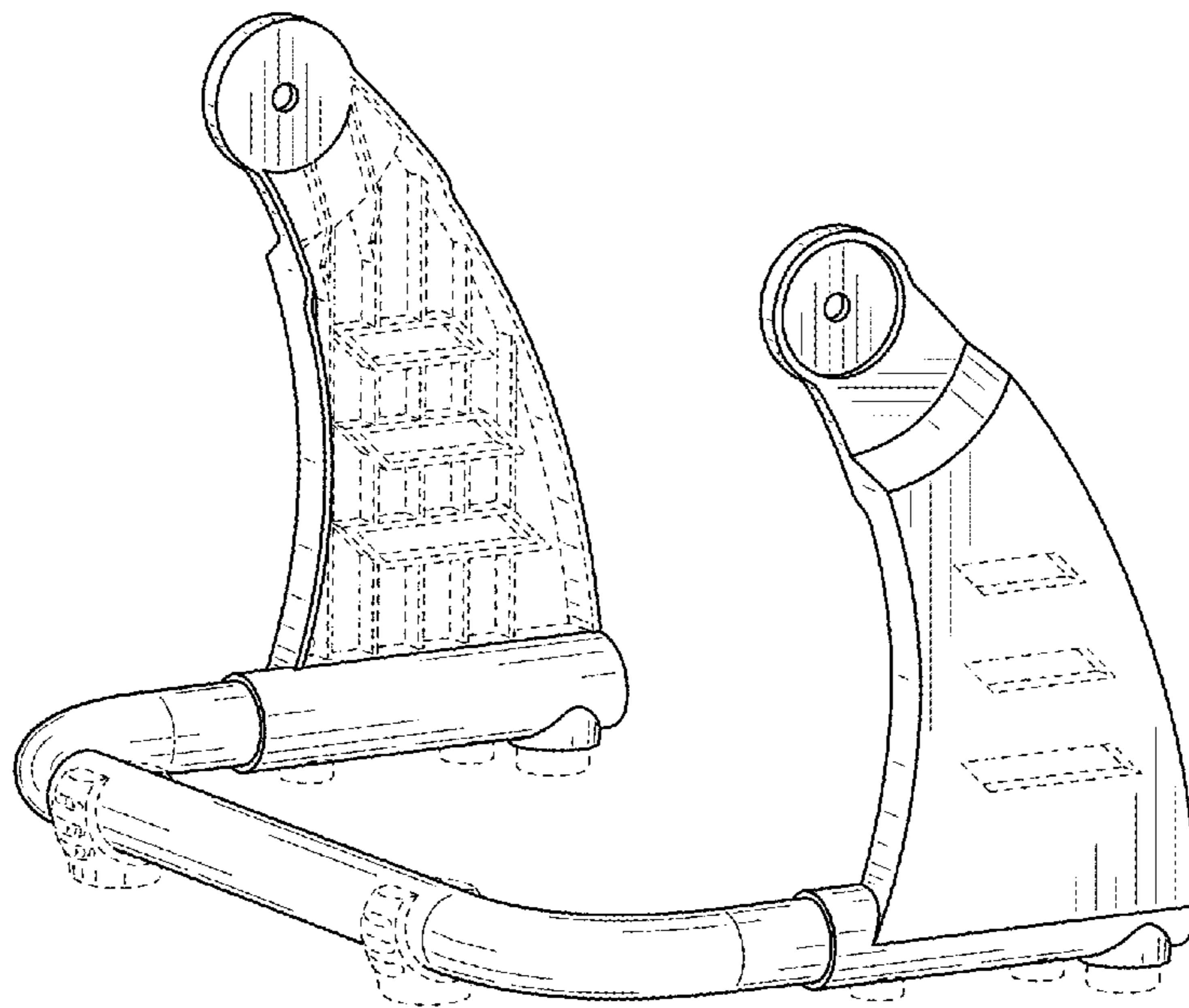


FIG.8