

US00D841141S

(12) **United States Design Patent**  
**Neigut**

(10) **Patent No.:** **US D841,141 S**

(45) **Date of Patent:** **\*\* Feb. 19, 2019**

(54) **EMBER HOLDER**

(71) Applicant: **Stephen Joseph Neigut**, Houston, TN  
(US)

(72) Inventor: **Stephen Joseph Neigut**, Houston, TN  
(US)

(\*\*) Term: **15 Years**

(21) Appl. No.: **29/587,853**

(22) Filed: **Dec. 15, 2016**

(51) **LOC (11) Cl.** ..... **23-03**

(52) **U.S. Cl.**

USPC ..... **D23/342**

(58) **Field of Classification Search**

USPC ..... D6/403-405, 556-558, 681-681.3;  
D11/143-156; D23/262-264, 266, 323,  
D23/336, 342-350, 410; D26/60, 62, 63,  
D26/65, 72-76, 93, 103, 107, 109,  
D26/140-142, 149; 47/17, 18, 32.7, 33,  
47/39, 41.01, 41.11-41.15, 65, 65.5, 66.1,  
47/66.6, 66.7, 67-71; D7/412, 601, 620;  
211/71, 74, 87, 181; 220/737, 738, 743

CPC ..... A01G 31/00; A01G 27/00; A47B 96/06;  
F16B 45/00

See application file for complete search history.

(56) **References Cited**

**U.S. PATENT DOCUMENTS**

- 915,577 A \* 3/1909 Farmer ..... A47J 19/04  
241/169.2
- D88,581 S \* 12/1932 Scott et al. .... D6/403
- 2,520,818 A \* 8/1950 Terry ..... A45F 3/44  
248/153
- 4,131,259 A \* 12/1978 Franks ..... A47G 7/044  
211/75
- D308,802 S \* 6/1990 Ward ..... 248/156
- D337,226 S \* 7/1993 Rosenbaum ..... D6/513
- D367,998 S \* 3/1996 Graw ..... D7/620
- D375,229 S \* 11/1996 DiBella ..... A47G 23/0216  
D7/619.1

- D391,812 S \* 3/1998 Shafa ..... D7/704
- 5,806,239 A \* 9/1998 Wesolowski ..... A01G 27/005  
47/39
- D404,074 S \* 1/1999 Sarriugarte ..... D19/86
- D404,973 S \* 2/1999 Goodman ..... D7/601
- 6,119,393 A \* 9/2000 Wourms ..... A47G 7/041  
248/175
- D487,862 S \* 3/2004 Tincher ..... D7/620
- D534,258 S \* 12/2006 Wilson ..... D23/342
- 7,152,837 B1 \* 12/2006 Babjak ..... F16B 45/00  
248/304

(Continued)

**OTHER PUBLICATIONS**

“Stainless Steel Egg Spiral Spring Holder Kitchen Boiled Egg Cup.” imcarmarket.top. Date not available accessed Jun. 21, 2018. Available online at URL: <[https://www.imcarmarket.top/milk-frothers-c-1\\_92\\_159\\_168\\_1632/stainless-steel-egg-spiral-spring-holder-kitchen-boiled-egg-cup-stand-hyfg-p-20859.html](https://www.imcarmarket.top/milk-frothers-c-1_92_159_168_1632/stainless-steel-egg-spiral-spring-holder-kitchen-boiled-egg-cup-stand-hyfg-p-20859.html)>.\*

(Continued)

*Primary Examiner* — Cathron C Brooks

*Assistant Examiner* — Christian P. McLean

(74) *Attorney, Agent, or Firm* — Matthew J Patterson

(57)

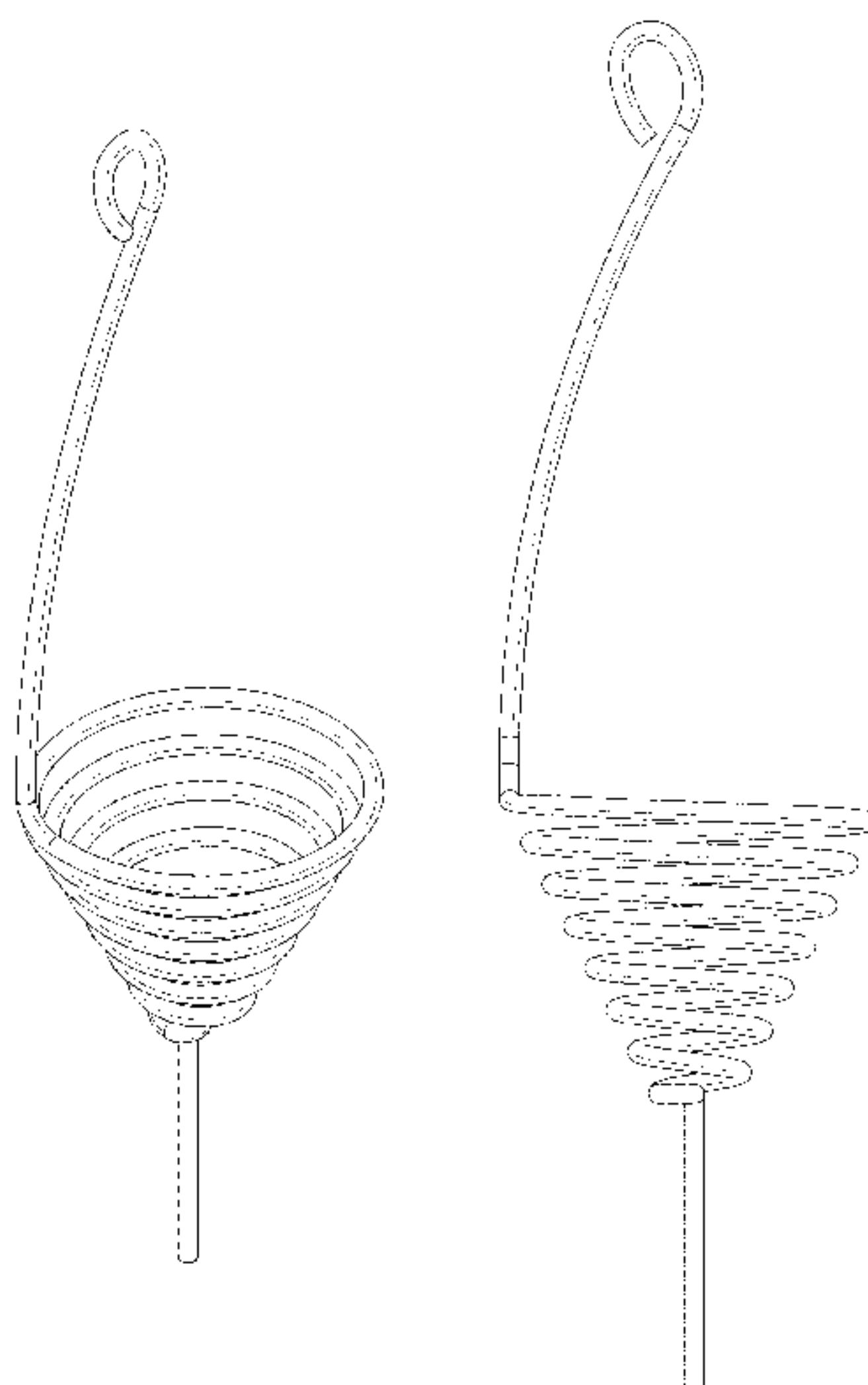
**CLAIM**

The ornamental design for an ember holder, as shown and described.

**DESCRIPTION**

FIG. 1 is a top perspective view of the ember holder of the present invention;  
FIG. 2 is a bottom perspective view thereof;  
FIG. 3 is a left side view thereof;  
FIG. 4 is a right side view thereof;  
FIG. 5 is a back view thereof;  
FIG. 6 is a front view thereof;  
FIG. 7 is a top view thereof; and,  
FIG. 8 is a bottom view thereof.

**1 Claim, 4 Drawing Sheets**



(56)

**References Cited**

U.S. PATENT DOCUMENTS

D567,030 S \* 4/2008 Goodman ..... D3/306  
D568,203 S \* 5/2008 Lindberg ..... D11/146  
D594,593 S \* 6/2009 Ohmori ..... D26/140  
D628,835 S \* 12/2010 Valentine, Jr. .... D6/513  
D649,709 S \* 11/2011 Loman ..... D27/183  
D664,392 S \* 7/2012 Enghard ..... D7/376  
8,430,366 B2 \* 4/2013 Tincher ..... A01K 97/10  
248/214  
D703,369 S \* 4/2014 Jones ..... D26/114  
D729,456 S \* 5/2015 Craven ..... D28/73  
D735,939 S \* 8/2015 Petruccelli ..... D28/10  
D748,251 S \* 1/2016 Ku ..... D24/129  
9,271,587 B2 \* 3/2016 Newby ..... A47G 7/06  
D753,941 S \* 4/2016 Boen ..... D6/681.1  
D766,046 S \* 9/2016 Guindi ..... D7/601  
D820,048 S \* 6/2018 Peninger ..... D7/601

OTHER PUBLICATIONS

“Spiral Bottom Ornament Stand, Silver.” amazon.com. Commented  
Jan. 6, 2015. Accessed Jun. 21, 2018. Available online at URL:  
<[https://www.amazon.com/Spiral-Bottom-Ornament-Stand-Silver/  
dp/B002YVZOF6](https://www.amazon.com/Spiral-Bottom-Ornament-Stand-Silver/dp/B002YVZOF6)> (Year: 2015).\*

\* cited by examiner

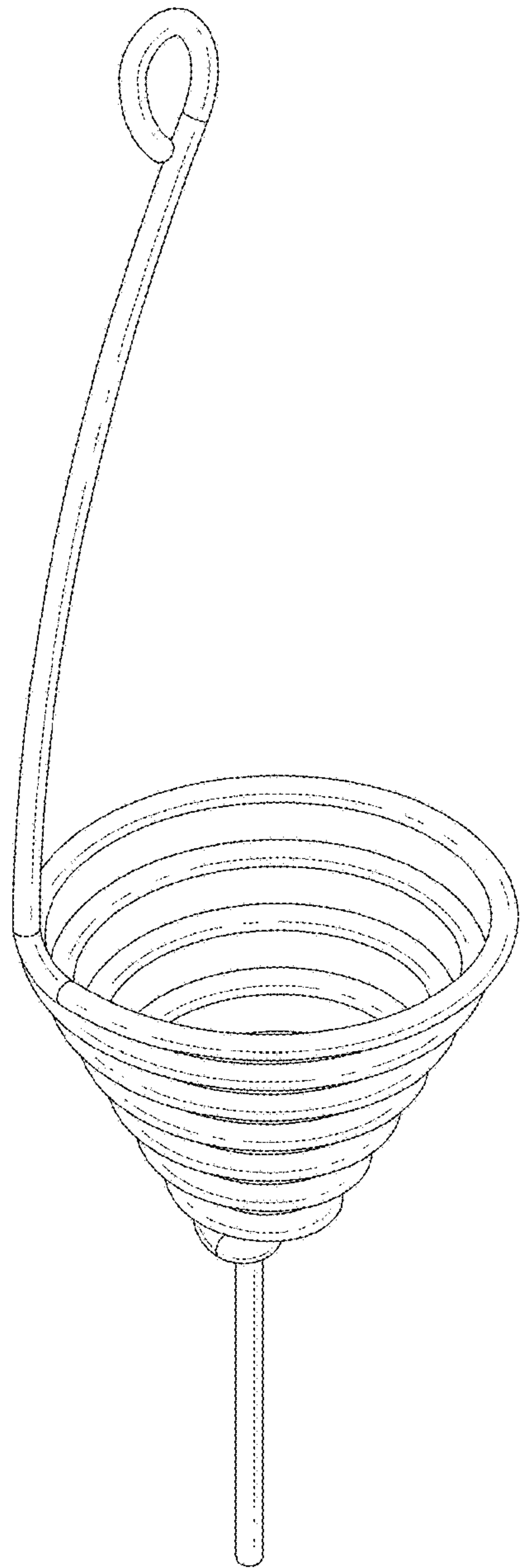


FIG. 1

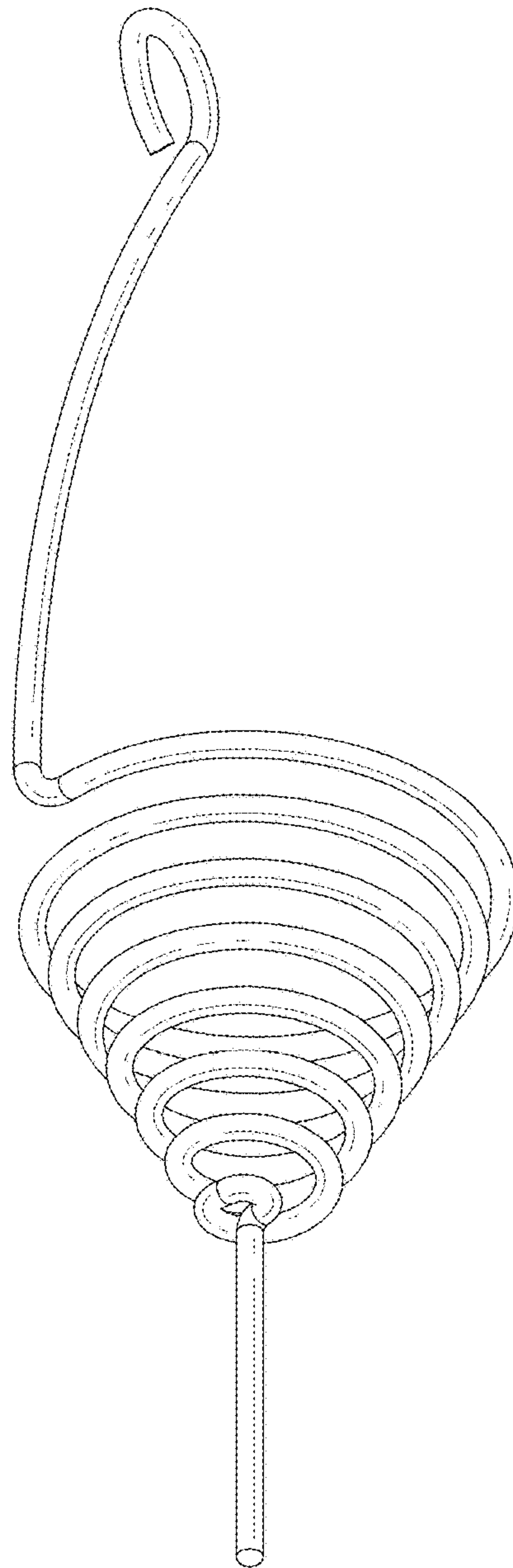


FIG. 2

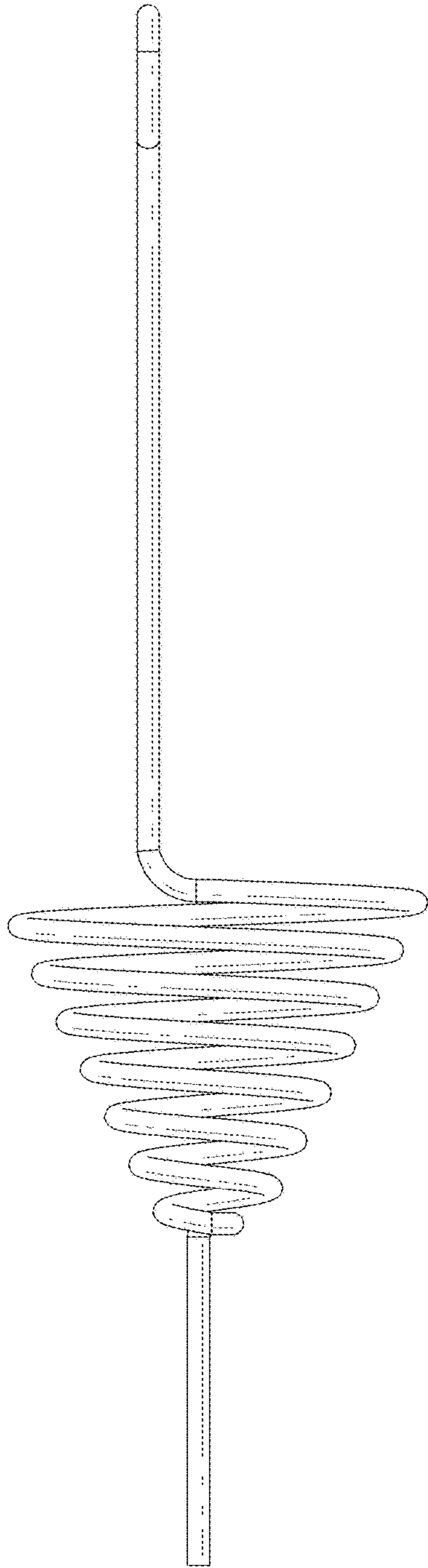


FIG. 3

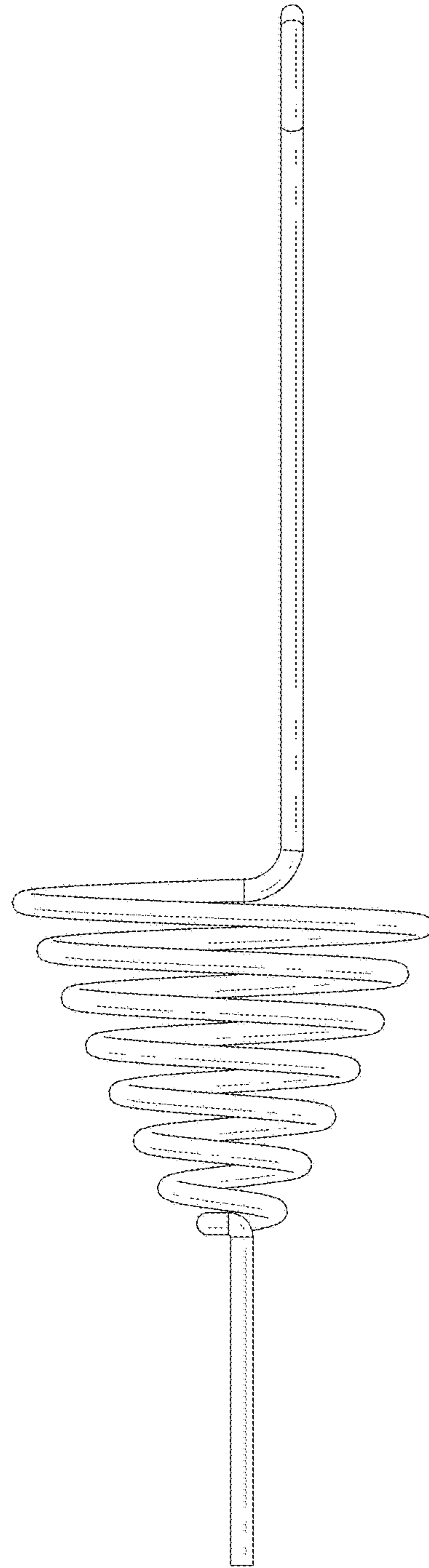


FIG. 4

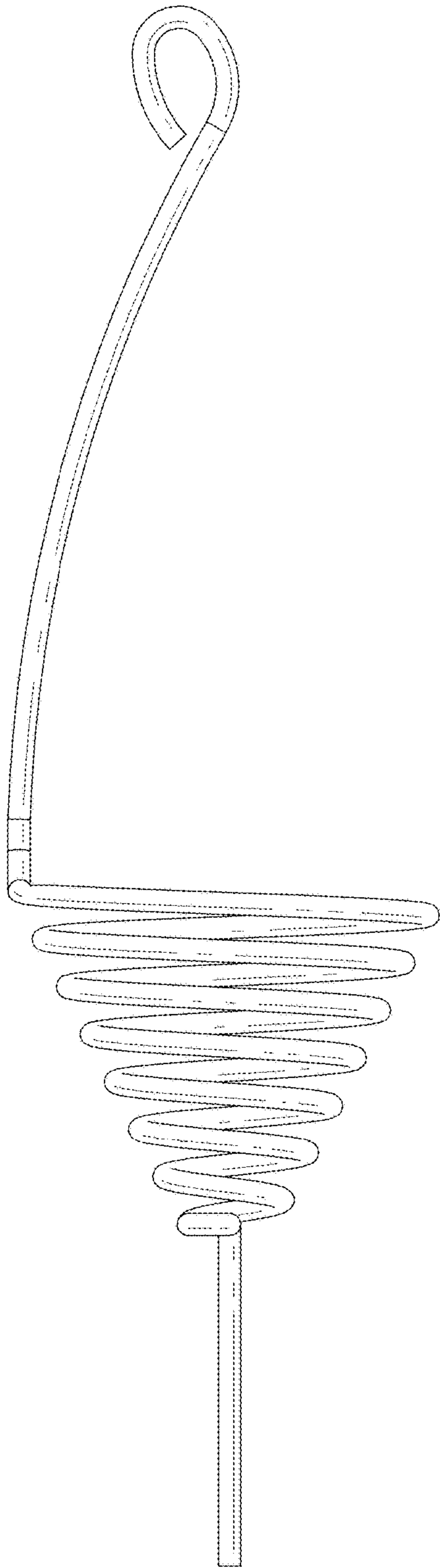


FIG. 5

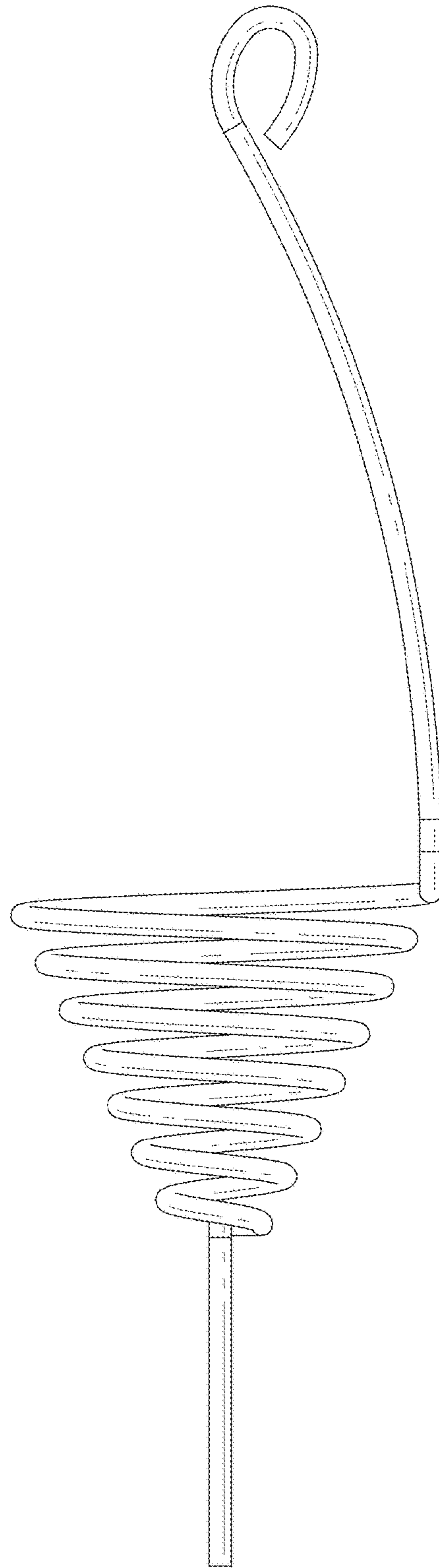
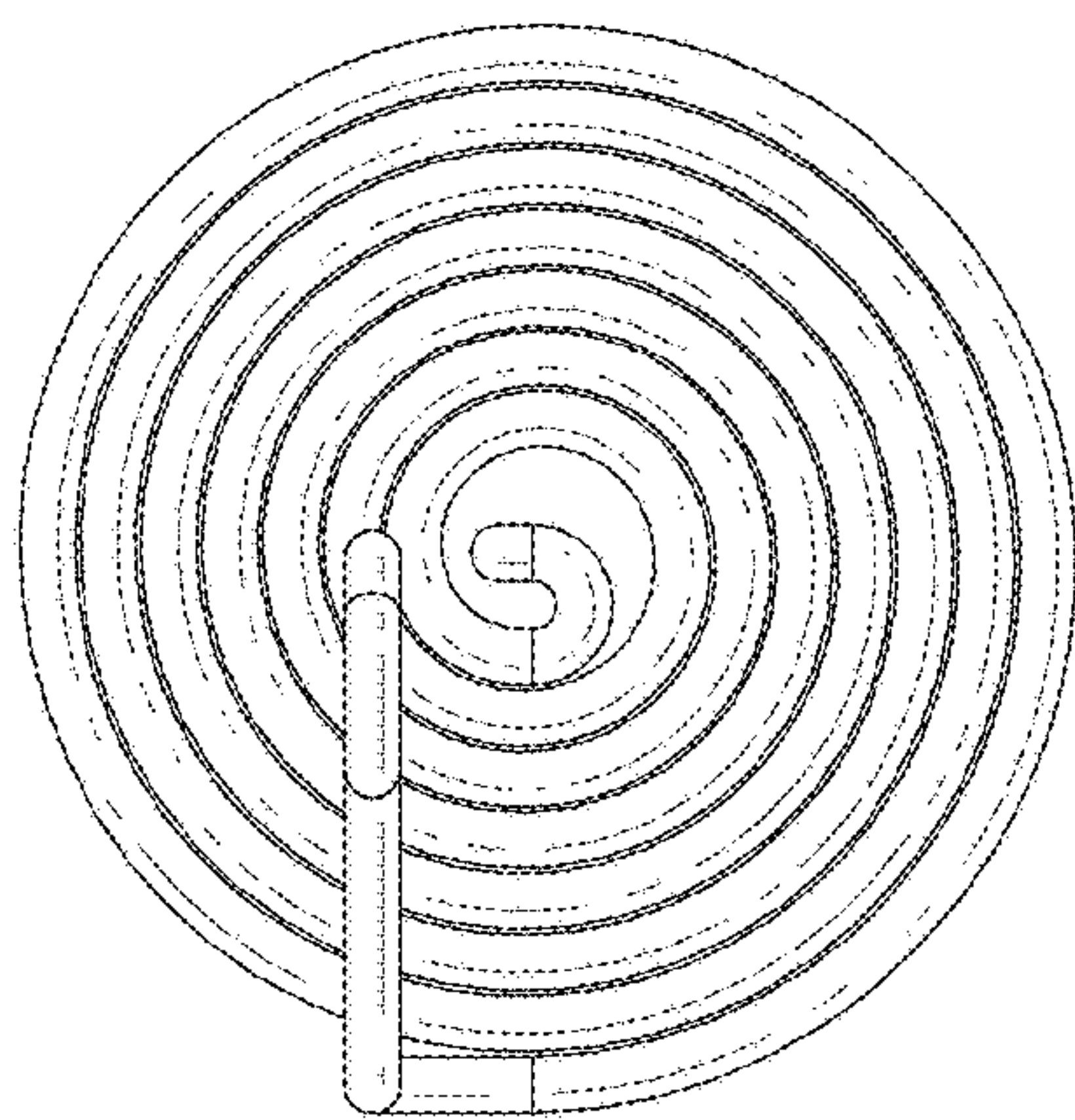
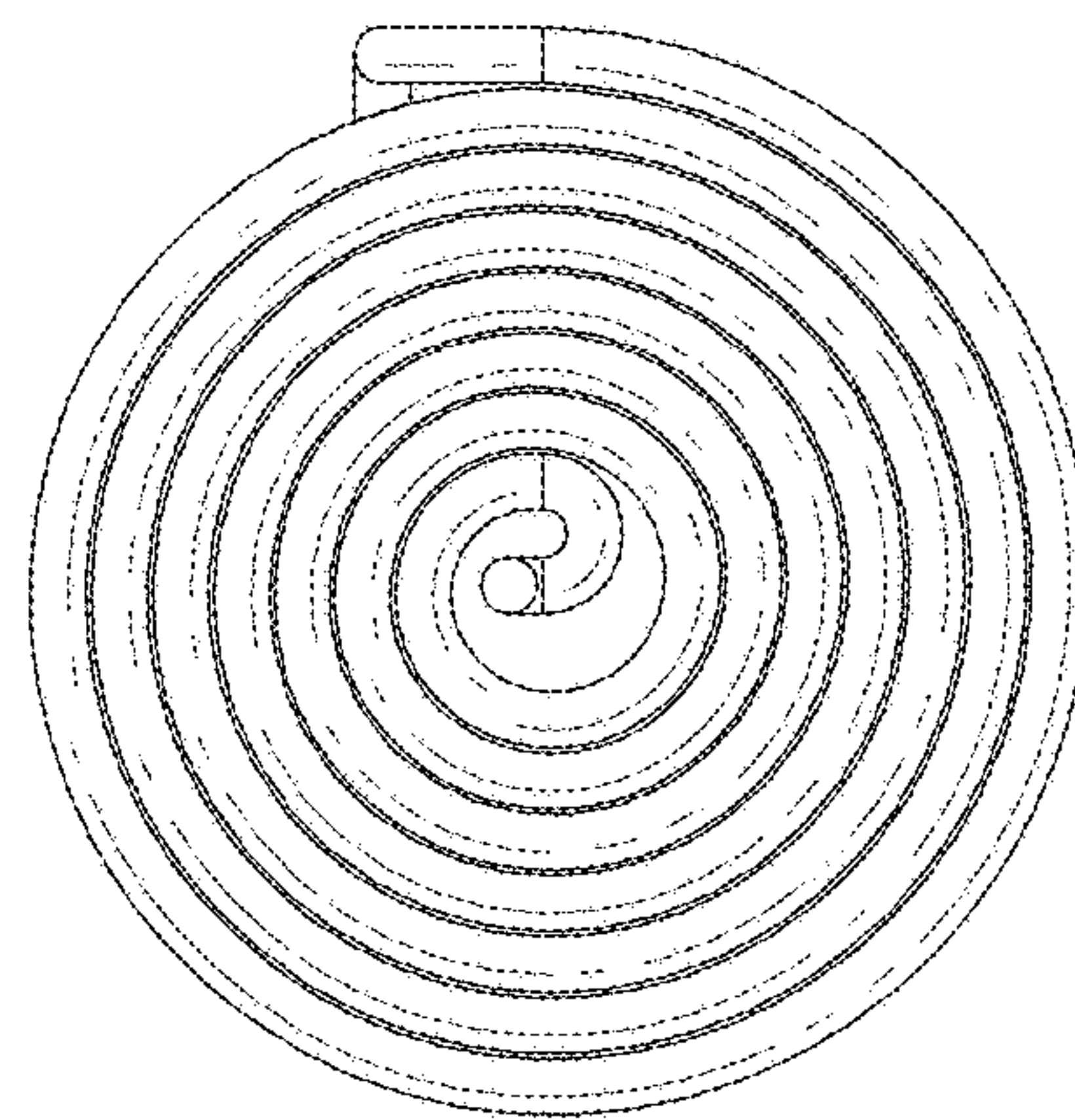


FIG. 6





*FIG. 7*



*FIG. 8*