



US00D841139S

(12) **United States Design Patent** (10) **Patent No.:** **US D841,139 S**
Bergin (45) **Date of Patent:** **** Feb. 19, 2019**

- (54) **ROOF FAN SHROUD**
- (71) Applicant: **DOMETIC SWEDEN AB**, Solna (SE)
- (72) Inventor: **Bryan B. Bergin**, Granger, IN (US)
- (73) Assignee: **Dometic Sweden AB**, Solna (SE)
- (**) Term: **15 Years**
- (21) Appl. No.: **29/642,946**
- (22) Filed: **Apr. 3, 2018**

4,872,722 A 10/1989 Farmont
 5,407,038 A 4/1995 Pedlar
 5,672,101 A 9/1997 Thomas
 (Continued)

FOREIGN PATENT DOCUMENTS

AU 359397 12/2014
 AU 359396 2/2015
 (Continued)

OTHER PUBLICATIONS

Transmittal Letter of Related Cases.
 (Continued)

Related U.S. Application Data

- (62) Division of application No. 29/580,801, filed on Oct. 13, 2016.
- (51) **LOC (11) Cl.** **12-16**
- (52) **U.S. Cl.**
USPC **D23/325**
- (58) **Field of Classification Search**
USPC D23/324–325; 454/94, 136, 143–146,
454/151
CPC B60H 1/00364; B60H 1/26
See application file for complete search history.

Primary Examiner — Cynthia Ramirez
Assistant Examiner — Gino Colan
 (74) *Attorney, Agent, or Firm* — Middleton Reutlinger

(57) **CLAIM**

The ornamental design for a roof fan shroud, as shown and described.

DESCRIPTION

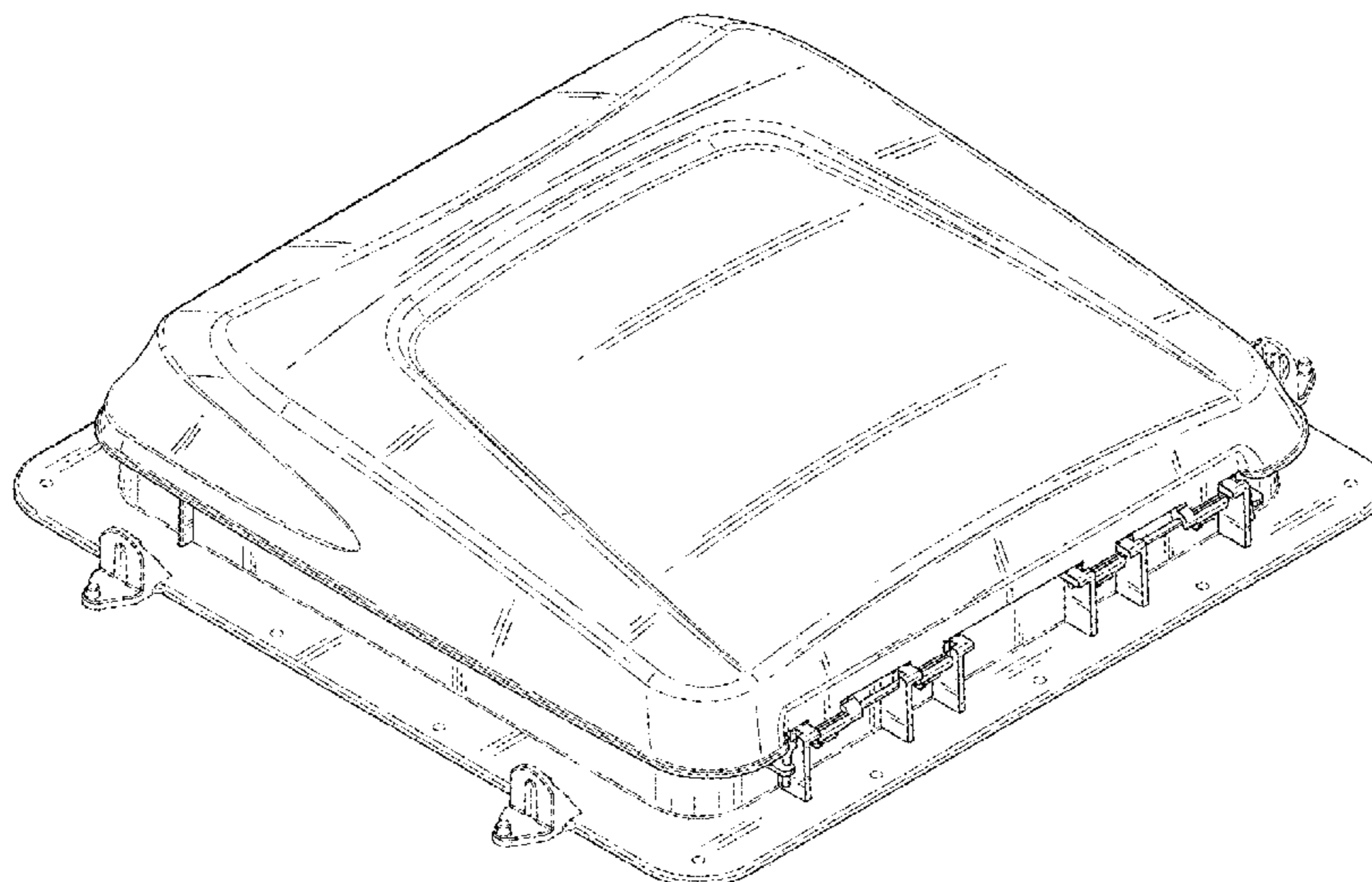
Cross-reference is made to U.S. patent application Ser. No. 15/292,239 titled “Roof Fan Assembly,” filed on Oct. 13, 2016, and is expressly incorporated herein by reference. FIG. 1 is a perspective view of a roof fan shroud showing my new design; FIG. 2 is a top plan view of the design of FIG. 1; FIG. 3 is a front elevation view of the design of FIG. 1; FIG. 4 is a rear elevation view of the design of FIG. 1; FIG. 5 is a right side elevation view of the design of FIG. 1; and, FIG. 6 is a left side elevation view of the design of FIG. 1. The broken lines are included for the purpose of illustrating portions of the roof fan shroud that form no part of the claimed design.

(56) **References Cited**

U.S. PATENT DOCUMENTS

- 536,156 A 3/1895 Rice
- 1,692,073 A 11/1928 Brenner
- 2,372,164 A 3/1945 Woodhams
- 3,016,952 A 1/1962 Shero
- 3,934,383 A 1/1976 Perry et al.
- 3,979,148 A 9/1976 Martin
- 4,038,911 A 8/1977 Hart
- 4,300,440 A 11/1981 Holter
- 4,395,939 A 8/1983 Hough et al.
- 4,615,263 A 10/1986 Titterud
- 4,633,769 A 1/1987 Milks
- 4,759,270 A 7/1988 Linden

1 Claim, 6 Drawing Sheets



(56)

References Cited

U.S. PATENT DOCUMENTS

5,730,583 A 3/1998 Alizadeh
 5,797,648 A 8/1998 Fiegel et al.
 5,839,229 A 11/1998 Briggs et al.
 5,984,405 A 11/1999 Ciacci
 D421,798 S 3/2000 Liang
 6,179,034 B1 1/2001 Fuss
 6,241,474 B1 6/2001 Alizadeh et al.
 D446,295 S 8/2001 Williams et al.
 6,347,484 B1 2/2002 Swanger
 6,438,800 B1 8/2002 Narang et al.
 6,442,896 B1 9/2002 Chapin, III
 D495,041 S * 8/2004 Thomas D23/325
 7,021,006 B2 4/2006 Farrar et al.
 7,419,368 B2 9/2008 Milks
 7,731,574 B2 6/2010 Milks
 7,762,765 B2 7/2010 Milks
 D654,920 S 2/2012 Wang et al.
 8,177,496 B2 5/2012 Wilson et al.
 D661,386 S * 6/2012 Bergin D23/325
 D712,531 S * 9/2014 Bergin D23/325
 D715,907 S * 10/2014 Bergin D23/325
 D716,925 S * 11/2014 Bergin D23/325
 D723,152 S 2/2015 Xu et al.
 D725,257 S 3/2015 Huang et al.
 D726,300 S 4/2015 DeFilippis
 D734,845 S 7/2015 Xu et al.
 D736,368 S 8/2015 Xu et al.
 D742,294 S 11/2015 Iancului
 9,399,183 B2 7/2016 McVay et al.
 D762,528 S 8/2016 Allard et al.
 9,557,072 B2 1/2017 Tolinski et al.
 D782,939 S 4/2017 Allard et al.
 D782,940 S 4/2017 Allard et al.
 D782,941 S 4/2017 Allard et al.
 D785,771 S * 5/2017 Bergin D23/325
 D787,037 S 5/2017 Allard et al.
 D806,223 S 12/2017 Allard et al.
 2003/0012656 A1 1/2003 Cho et al.
 2004/0175270 A1 9/2004 Havel et al.
 2005/0003751 A1 1/2005 Thomas
 2005/0180849 A1 8/2005 Chen et al.
 2005/0207894 A1 9/2005 Park
 2007/0166165 A1 7/2007 Lee
 2008/0139101 A1 6/2008 Bickel et al.
 2008/0156282 A1 7/2008 Aschermann
 2008/0210409 A1 9/2008 Saksager
 2009/0155076 A1 6/2009 Jarrah
 2010/0056035 A1 3/2010 Hua
 2010/0068060 A1 3/2010 Ota et al.
 2010/0260630 A1 10/2010 Bilodeau et al.

2011/0135494 A1 6/2011 Nicgorski et al.
 2011/0236211 A1 9/2011 Schneider et al.
 2012/0224988 A1 9/2012 Maier et al.
 2012/0244000 A1 9/2012 Turcas
 2013/0147312 A1 6/2013 Qin et al.
 2013/0323062 A1 12/2013 Henner et al.
 2014/0030104 A1 1/2014 Lee et al.
 2014/0056710 A1 2/2014 Henner et al.
 2014/0119922 A1 5/2014 Nakano et al.
 2014/0334952 A1 11/2014 Ziegler et al.
 2015/0064011 A1 3/2015 Xu et al.
 2015/0078937 A1 3/2015 Crevel et al.
 2015/0352924 A1 12/2015 Allard et al.
 2016/0200174 A1 7/2016 Tremer et al.

FOREIGN PATENT DOCUMENTS

AU 367696 3/2016
 AU 367699 3/2016
 AU 367700 3/2016
 AU 367701 3/2016
 CA 159763 11/2014
 CA 166627 4/2016
 CA 166057 9/2016
 CA 170268 9/2016
 CA 174116 2/2018
 CA 179097 2/2018
 CN 3545706 12/2015
 DE 19607931 2/1998
 EM 002591586 2/2015
 EM 002919936 12/2015
 WO 2015191029 12/2015

OTHER PUBLICATIONS

Canadian Patent Application No. 2,951,956 entitled "Shrouded Roof Vent for a Vehicle" entered national stage on Dec. 9, 2016.
 US Patent and Trademark Office International Search Report for PCT/US2014/041566 dated Oct. 24, 2014.
 U.S. Appl. No. 15/198,697 entitled "Compact Fan for a Recreational Vehicle" filed Jun. 30, 2016.
 U.S. Appl. No. 15/292,239 entitled "Roof Fan Assembly" filed Oct. 13, 2016.
 U.S. Appl. No. 29/580,801 entitled "Roof Fan Shroud" filed Oct. 13, 2016.
 Fantastic® Vent Fan with fan blade Model No. 8138-81 dated Feb. 13, 2015.
 MaxxAir Fans, MaxxFan 4301K and 4401K; Jan. 22, 2016.
 Dometic Product Catalog 2016, Fan-Tastic Vent Models; EZ-Breeze; Ultra Breeze. pp. 90-91. 2016.

* cited by examiner

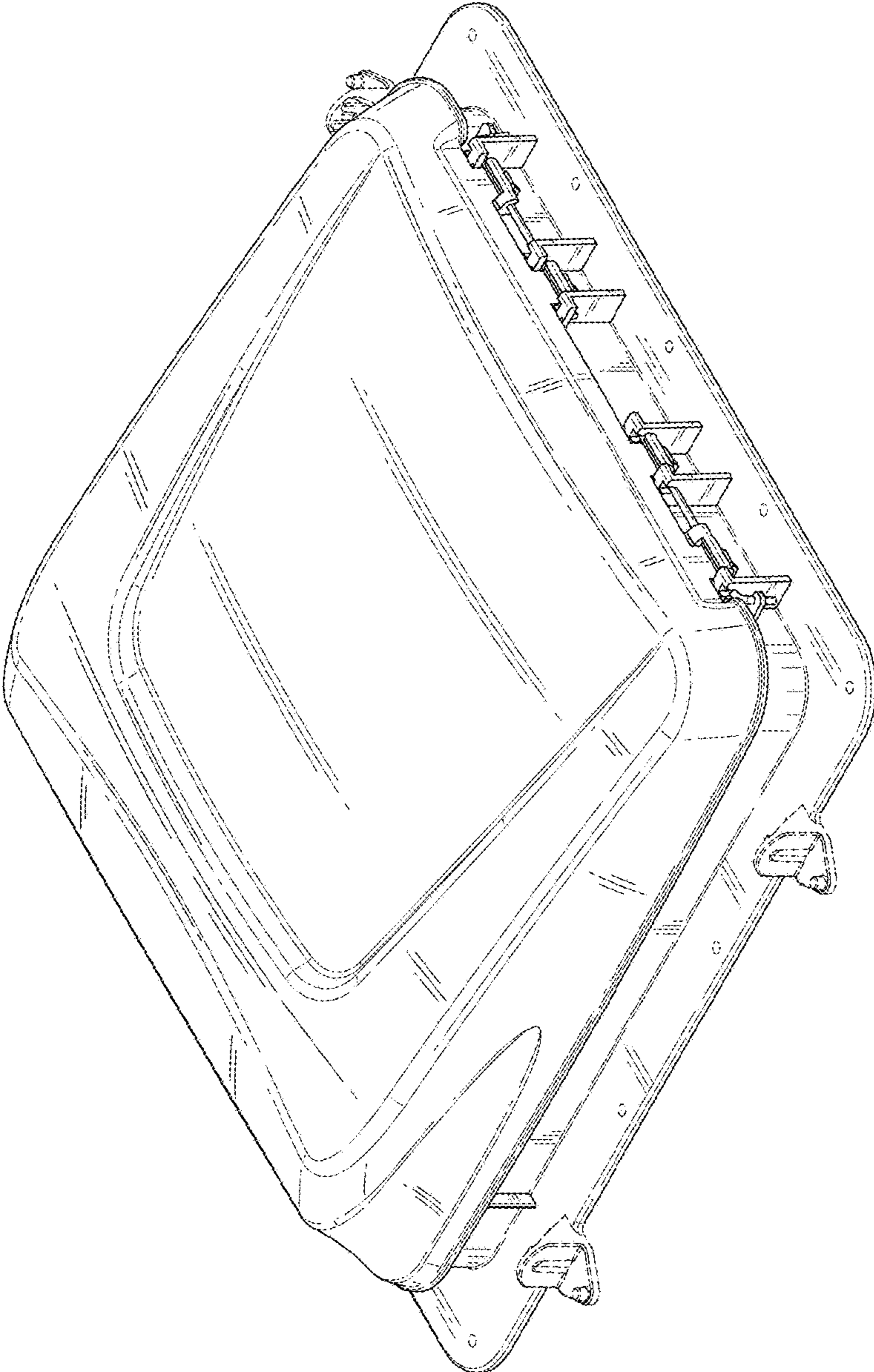


FIG. 1

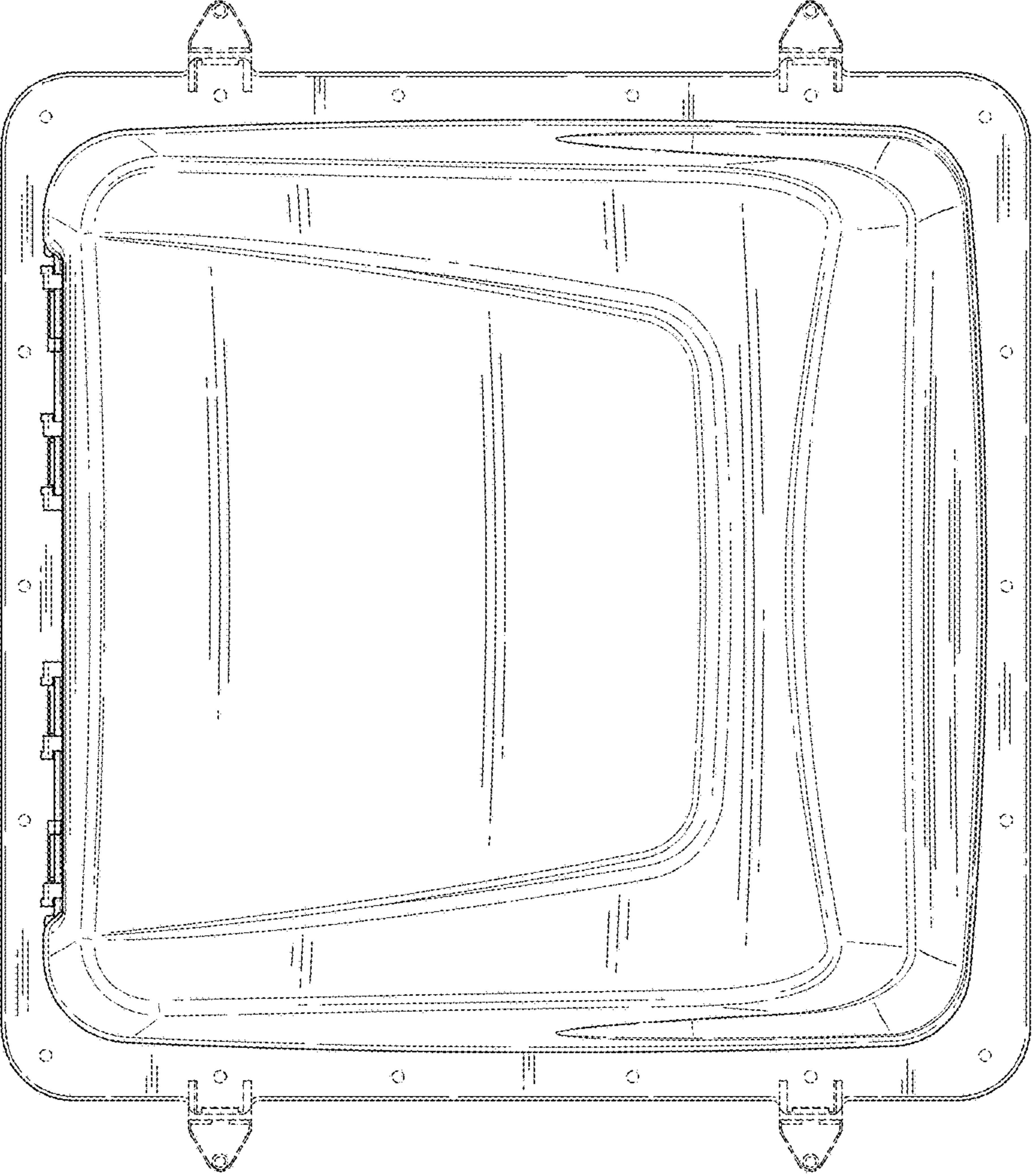


FIG. 2

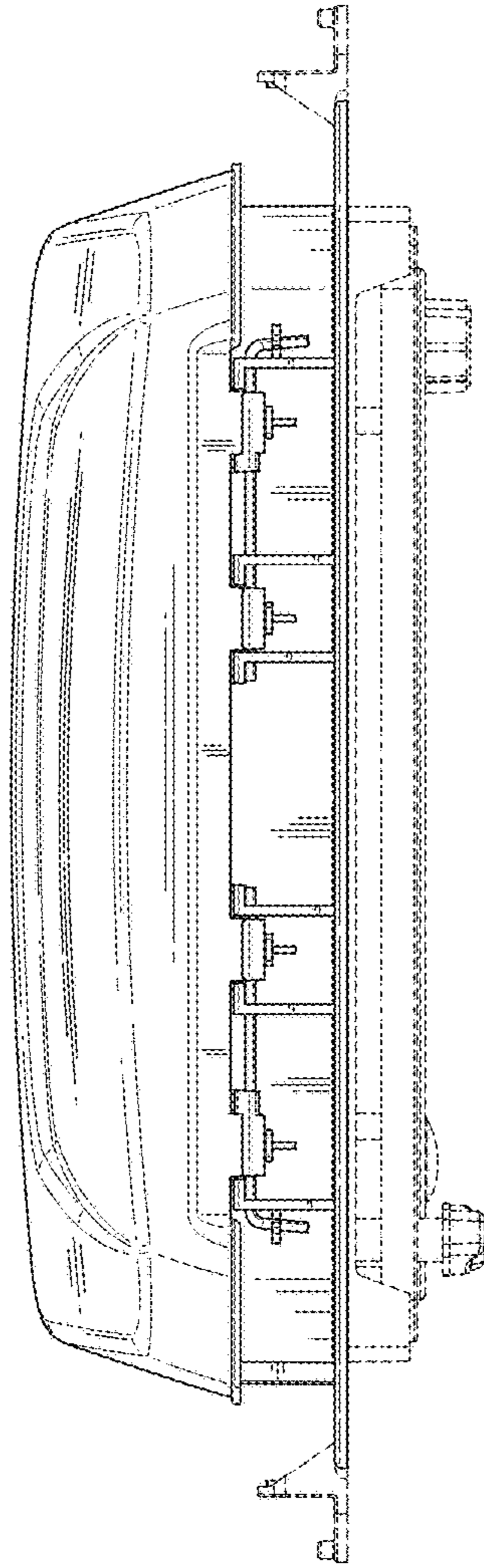


FIG. 3

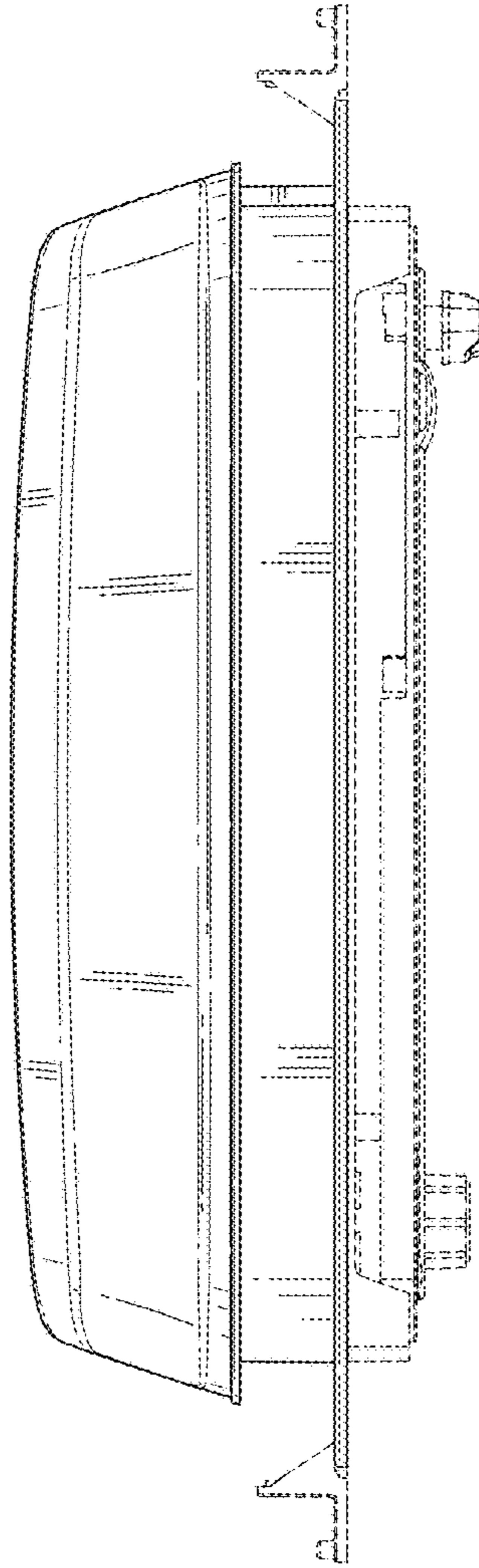


FIG. 4

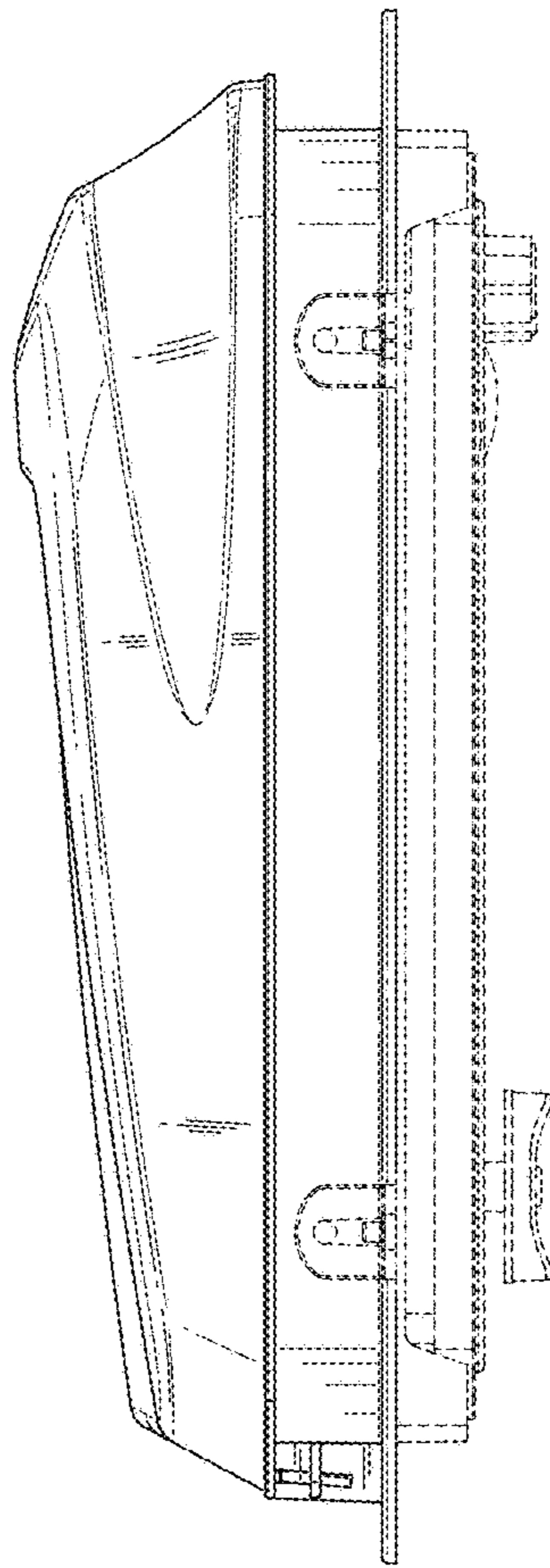


FIG. 5

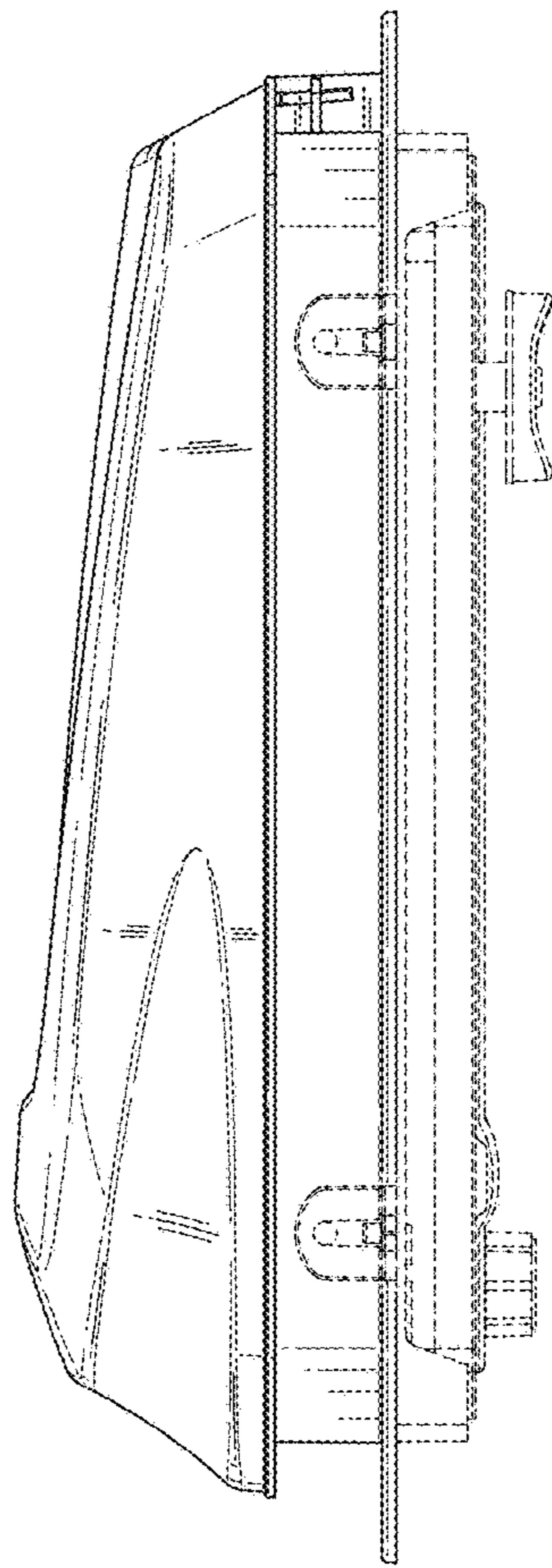


FIG. 6