



US00D841135S

(12) **United States Design Patent** (10) **Patent No.:** **US D841,135 S**
Richter (45) **Date of Patent:** **** Feb. 19, 2019**

(54) **WASHBASIN**

(71) Applicant: **Duravit Aktiengesellschaft**, Hornberg (DE)

(72) Inventor: **Frank Richter**, Hornberg (DE)

(73) Assignee: **Duravit Aktiengesellschaft**, Hornberg (DE)

(**) Term: **15 Years**

(21) Appl. No.: **29/613,844**

(22) Filed: **Aug. 14, 2017**

(30) **Foreign Application Priority Data**

Feb. 15, 2017 (WO) DM/095253

(51) **LOC (11) Cl.** **23-02**

(52) **U.S. Cl.**
USPC **D23/284**

(58) **Field of Classification Search**
USPC D23/284, 293.1, 303, 308
CPC E03C 1/18
See application file for complete search history.

(56) **References Cited**

U.S. PATENT DOCUMENTS

D630,716 S * 1/2011 Thomas D23/293.1
D636,855 S * 4/2011 Thomas D23/293.1
D697,596 S * 1/2014 Spangler D23/293.1
D797,907 S * 9/2017 Esteve D23/293.1

* cited by examiner

Primary Examiner — Robert A Delehanty

(74) *Attorney, Agent, or Firm* — Florek & Endres PLLC

(57) **CLAIM**

I claim the ornamental design for a washbasin, as shown and described.

DESCRIPTION

FIG. 1 is a perspective view of a first embodiment of a design for a washbasin.

FIG. 2 is a top plan view of a first embodiment of a design for a washbasin.

FIG. 3 is a bottom plan view of a first embodiment of a design for a washbasin.

FIG. 4 is a front elevation view of a first embodiment of a design for a washbasin.

FIG. 5 is a rear elevation view of a first embodiment of a design for a washbasin.

FIG. 6 is a right side elevation view of a first embodiment of a design for a washbasin.

FIG. 7 is a left side elevation view of a first embodiment of a design for a washbasin.

FIG. 8 is a perspective view of a second embodiment of a design for a washbasin.

FIG. 9 is a top plan view of a second embodiment of a design for a washbasin.

FIG. 10 is a bottom plan view of a second embodiment of a design for a washbasin.

FIG. 11 is a front elevation view of a second embodiment of a design for a washbasin.

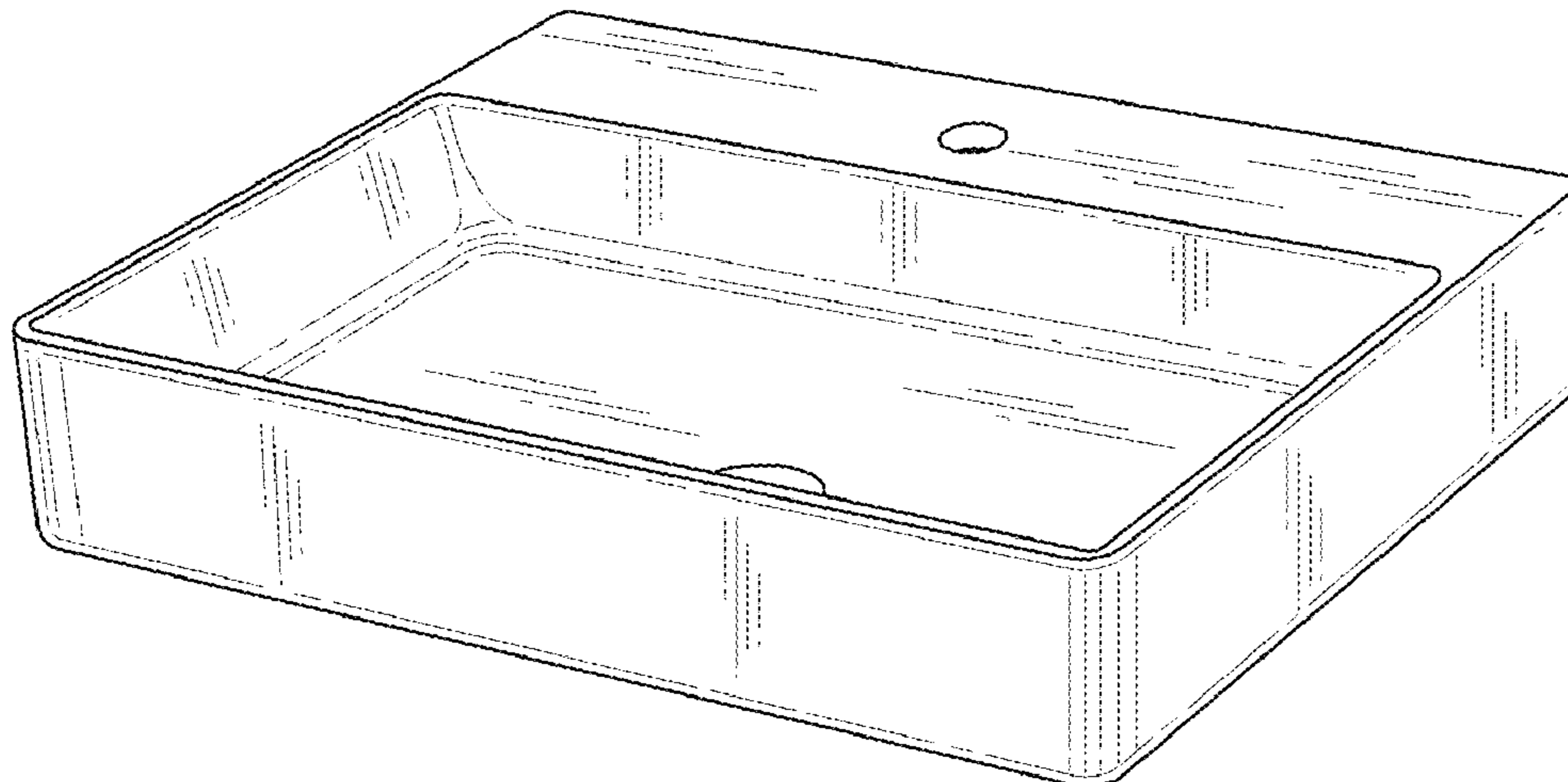
FIG. 12 is a rear elevation view of a second embodiment of a design for a washbasin.

FIG. 13 is a right side elevation view of a second embodiment of a design for a washbasin; and,

FIG. 14 is a left side elevation view of a second embodiment of a design for a washbasin.

The broken lines shown in the drawings represent unclaimed portions of the washbasin and forms no part of the claimed design.

1 Claim, 4 Drawing Sheets



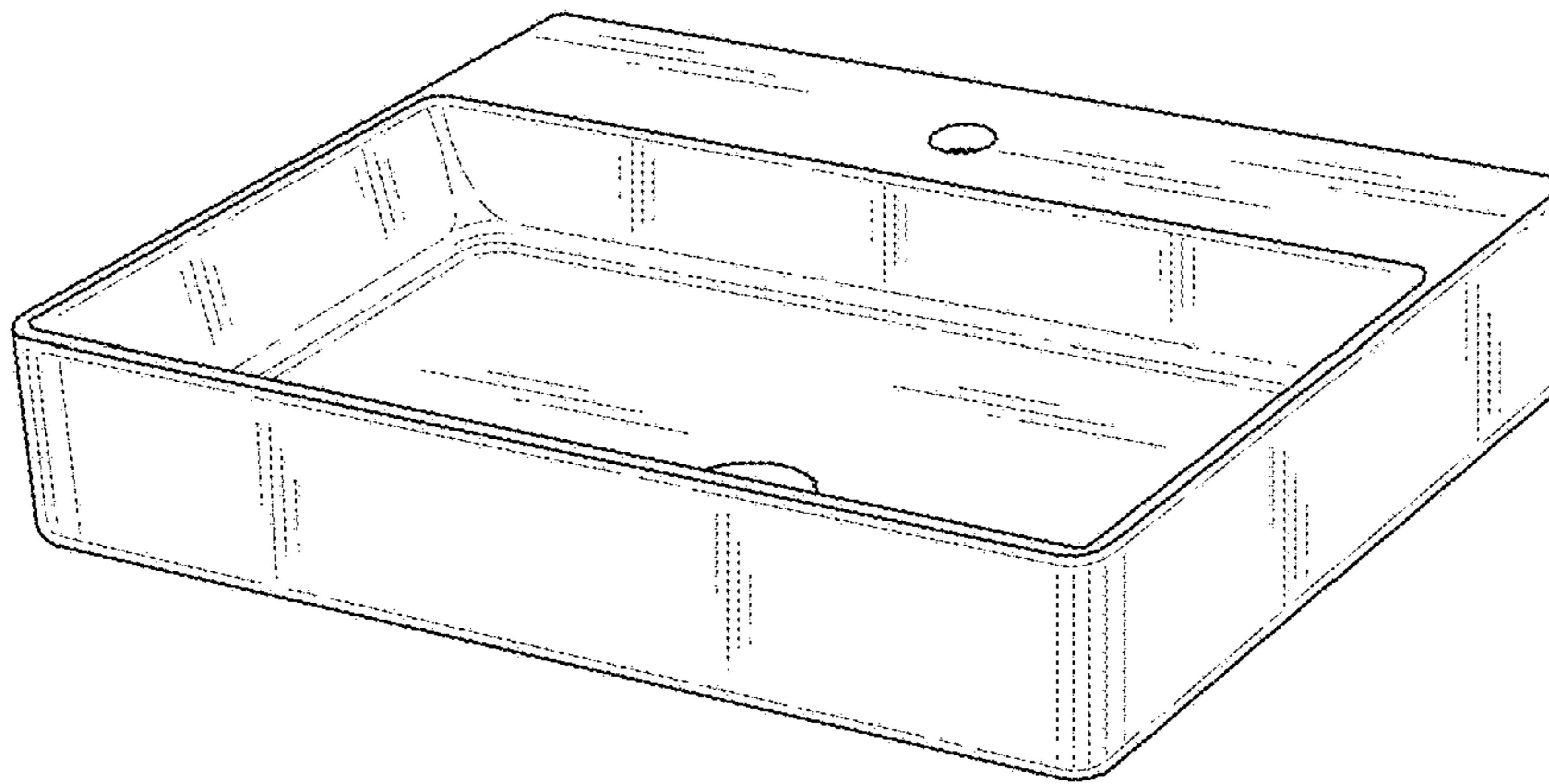


FIG. 1

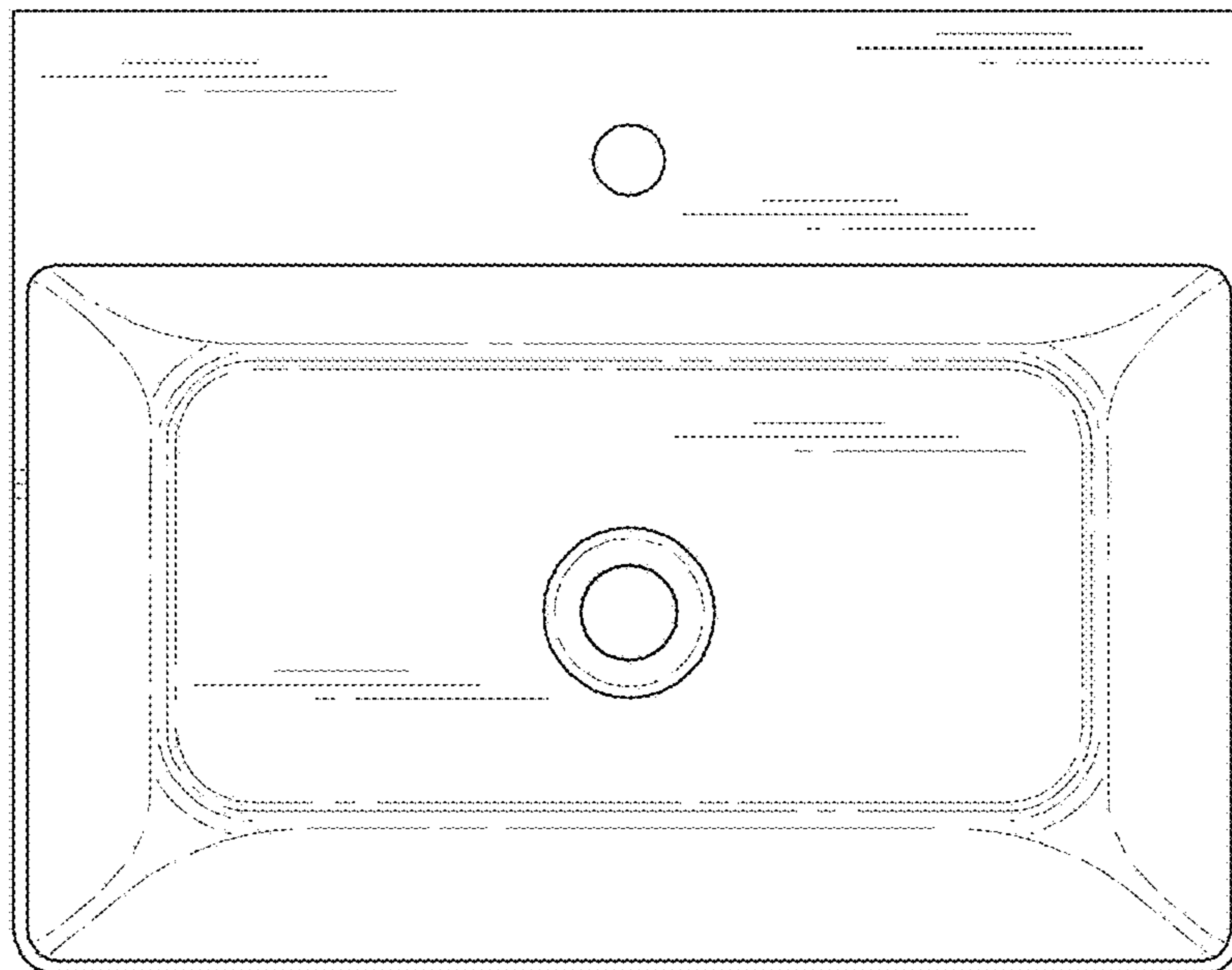


FIG. 2

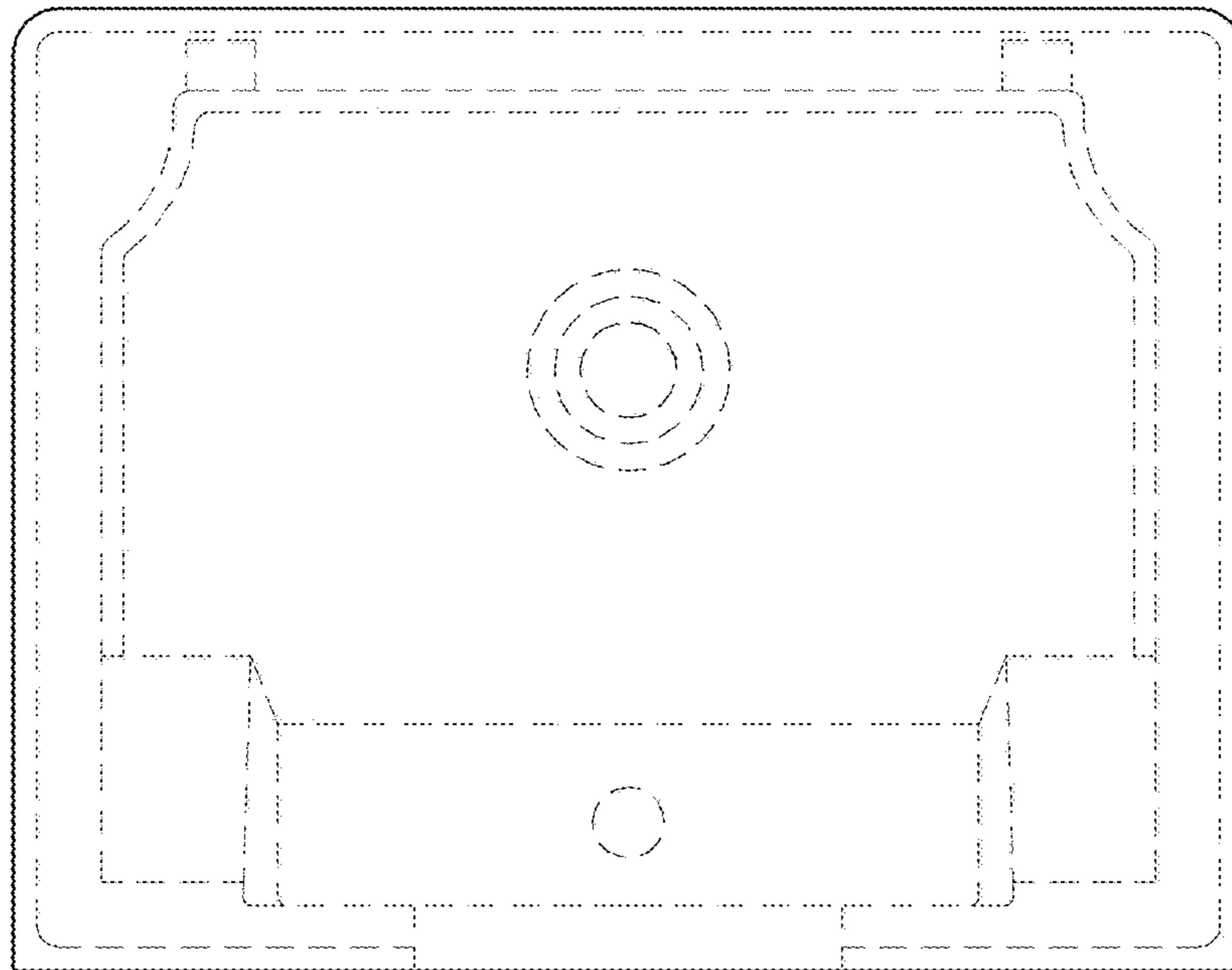


FIG. 3

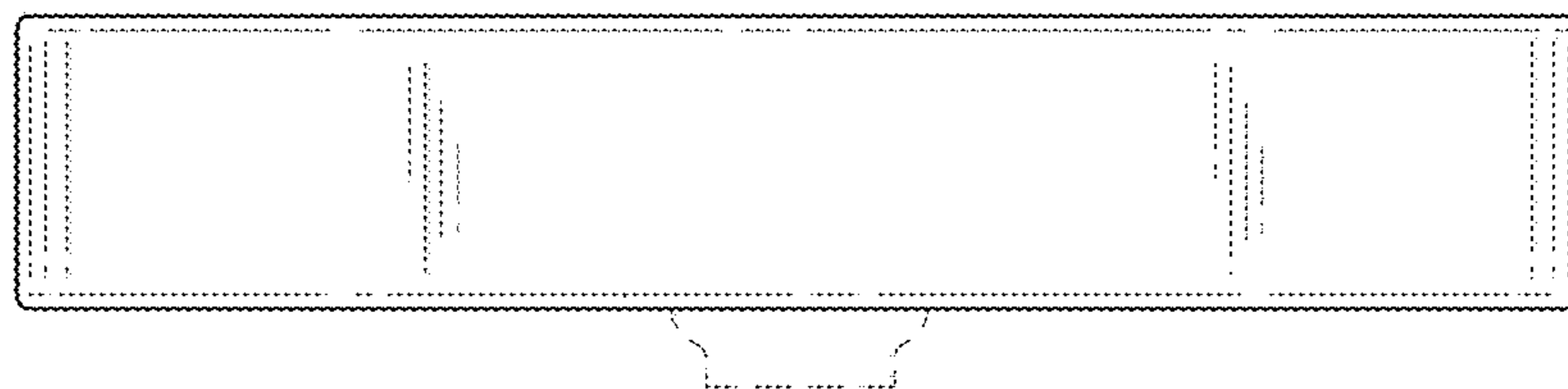


FIG. 4

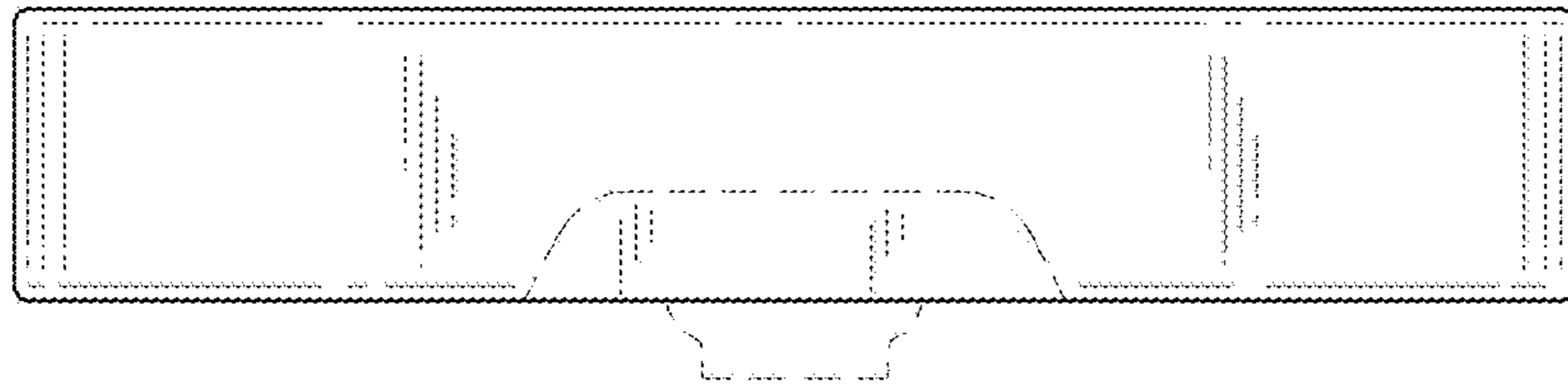


FIG. 5

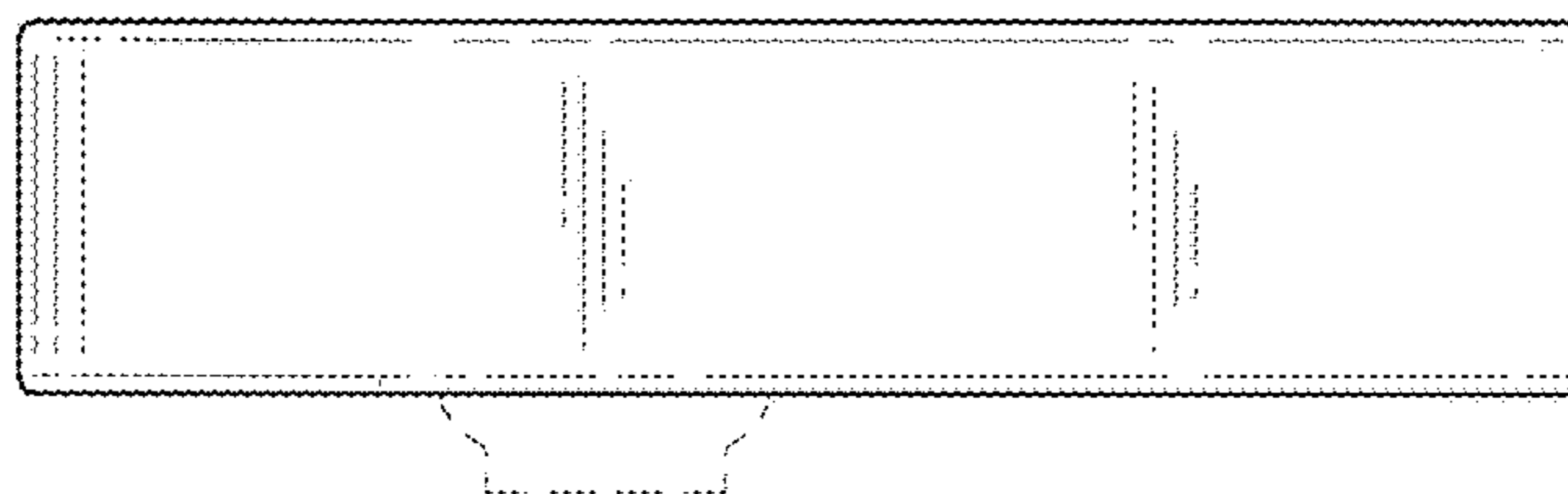


FIG. 6



FIG. 7