



US00D841134S

(12) **United States Design Patent**
Shill

(10) **Patent No.:** **US D841,134 S**

(45) **Date of Patent:** **** Feb. 19, 2019**

(54) **TAPPING TEE**

(71) Applicant: **Chevron Phillips Chemical Company LP**, The Woodlands, TX (US)

(72) Inventor: **Curt C. Shill**, Plano, TX (US)

(73) Assignee: **Chevron Phillips Chemical Company LP**, The Woodlands, TX (US)

(**) Term: **15 Years**

(21) Appl. No.: **29/547,422**

(22) Filed: **Dec. 3, 2015**

(51) **LOC (11) Cl.** **23-01**

(52) **U.S. Cl.**
USPC **D23/262**

(58) **Field of Classification Search**
USPC D23/262, 263, 266, 259, 233, 235, 237, 238, 239, 240, 241, 242, 244, 245-249; 137/318, 137/89; 285/133.11, 129.11, 110, 347, 285/294.1, 123.1, 133.21, 129.1
CPC B29C 53/76; B29C 66/52241; F16L 47/32; F16L 41/021
See application file for complete search history.

(56) **References Cited**

U.S. PATENT DOCUMENTS

D453,817 S * 2/2002 Patteson D23/262
D481,109 S * 10/2003 Dole D23/263
D481,110 S * 10/2003 Snyder, Sr. D23/263

D516,686 S * 3/2006 Wilk, Jr. D23/262
D517,176 S * 3/2006 Wilk, Jr. D23/262
7,686,346 B1 * 3/2010 Buccicone F16L 41/021
285/129.1
D652,121 S * 1/2012 Bonhag D23/263
D755,354 S * 5/2016 Coronado D23/262

* cited by examiner

Primary Examiner — Cynthia Ramirez

Assistant Examiner — Gino Colan

(57) **CLAIM**

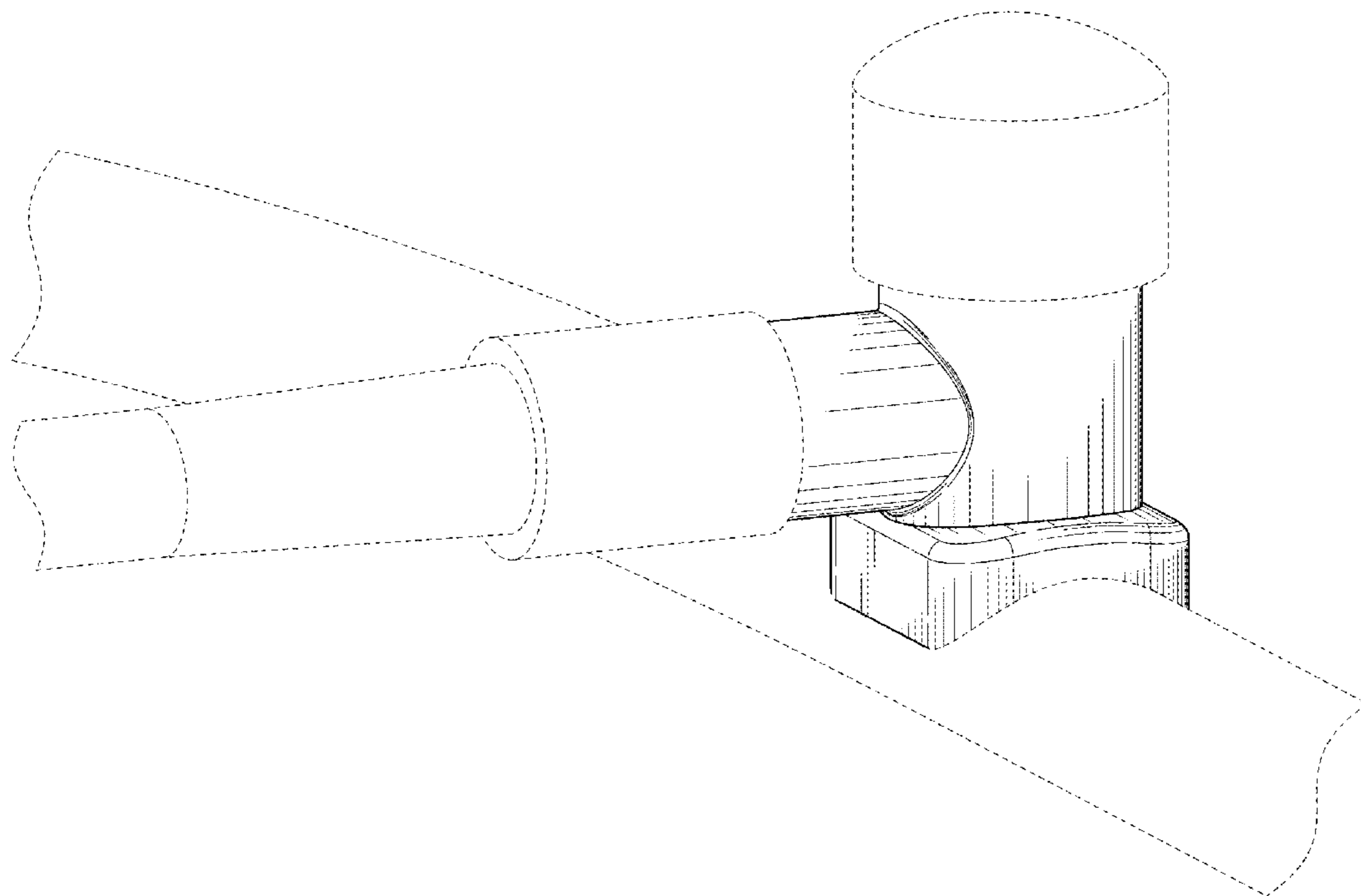
The ornamental design for a tapping tee, as shown and described.

DESCRIPTION

FIG. 1 is a perspective view of a tapping tee in an exemplary environment, showing my new design; FIG. 2 is a front elevational view thereof; FIG. 3 is a rear elevational view thereof; FIG. 4 is a side view thereof; FIG. 5 is a side view showing the side opposite that shown in FIG. 4; FIG. 6 is a top view thereof; FIG. 7 is a bottom view thereof; and, FIG. 8 is a cross-sectional view thereof, taken along line 8-8 of FIG. 6.

The broken lines shown in FIG. 1 are for the purpose of illustrating environment and form no part of the claimed design. The other broken lines shown in FIGS. 2 through 8 are for the purpose of illustrating portions of the tapping tee and form no part of the claimed design.

1 Claim, 7 Drawing Sheets



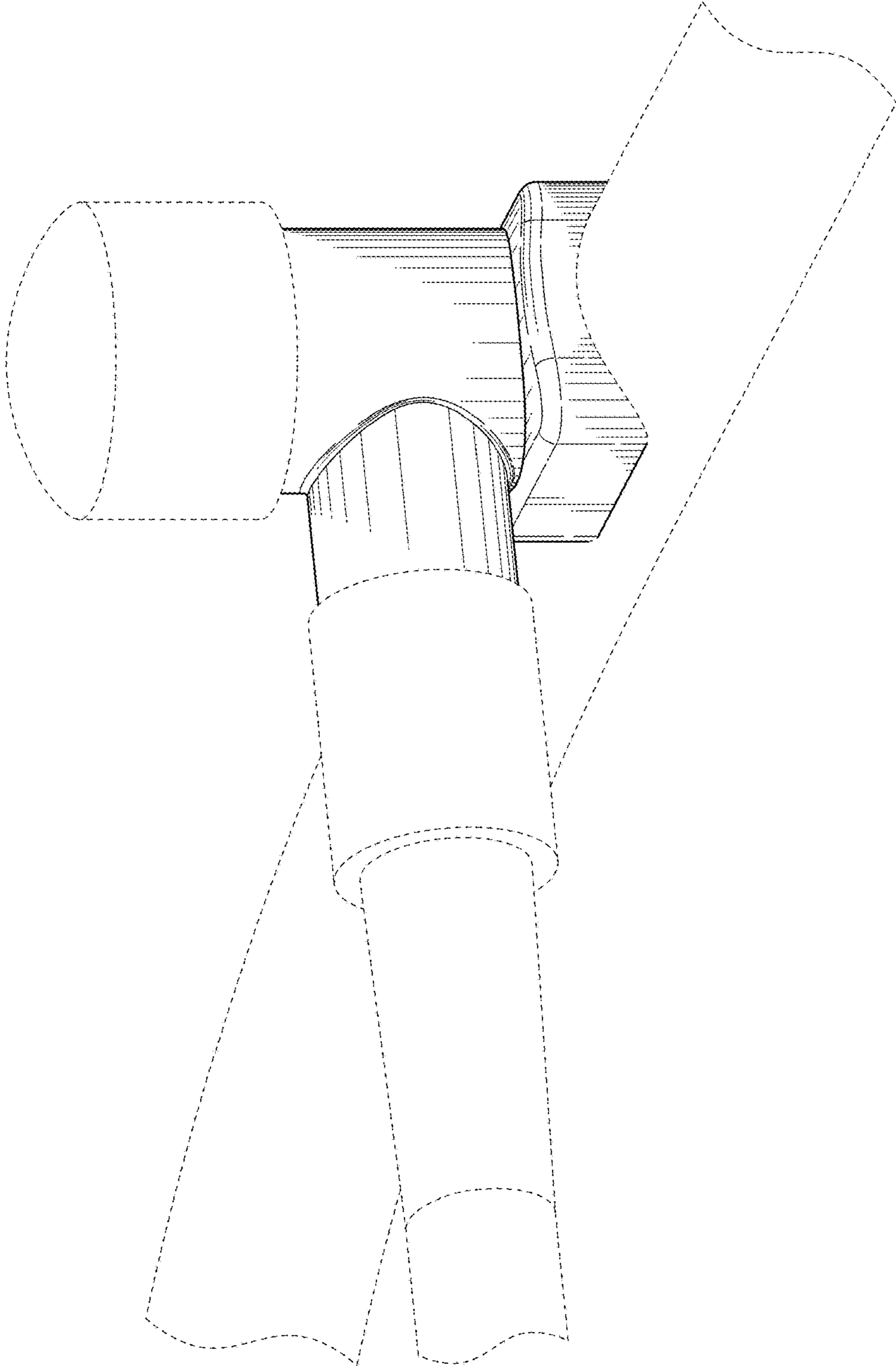


FIG. 1

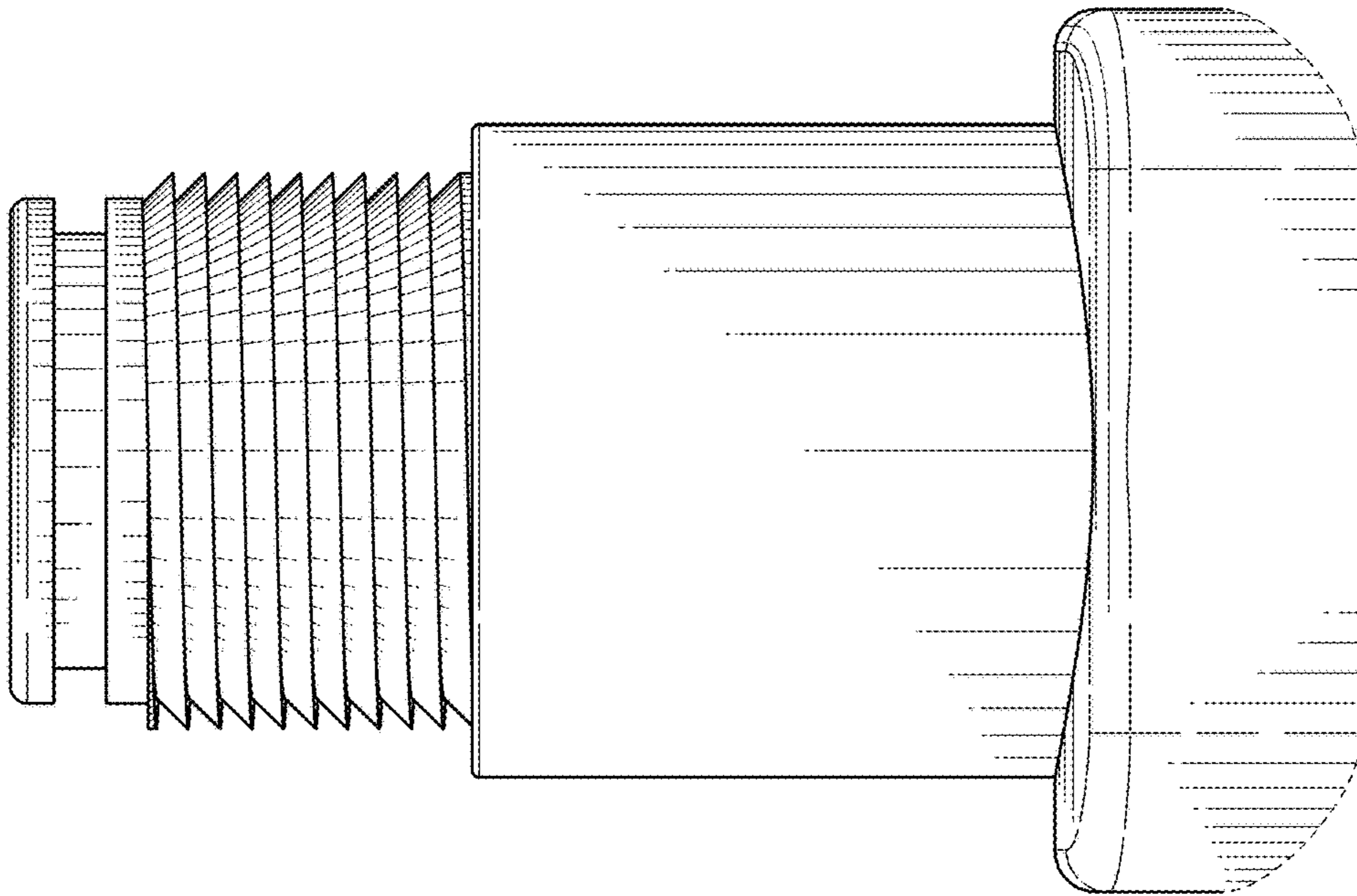


FIG. 3

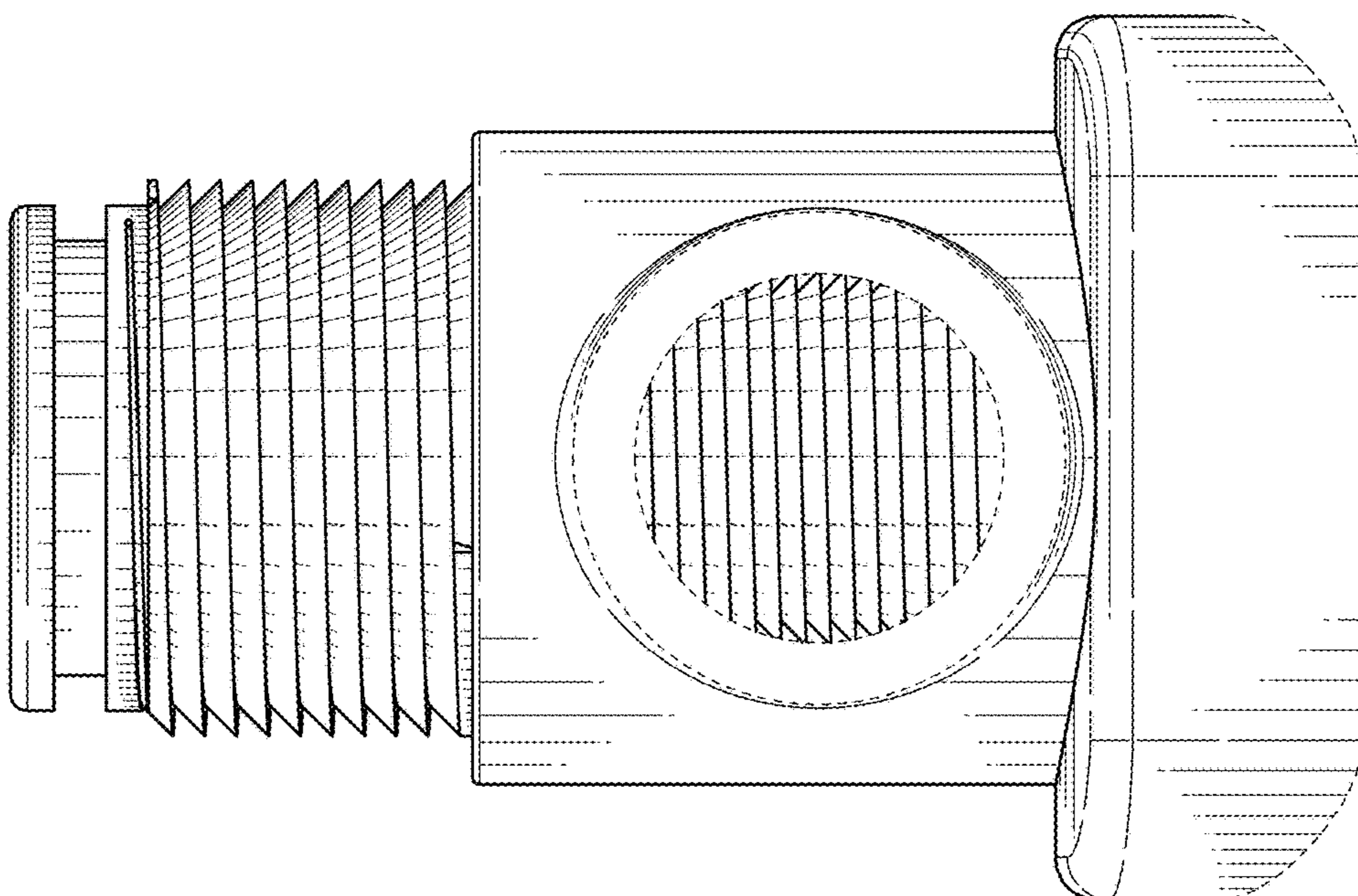


FIG. 2

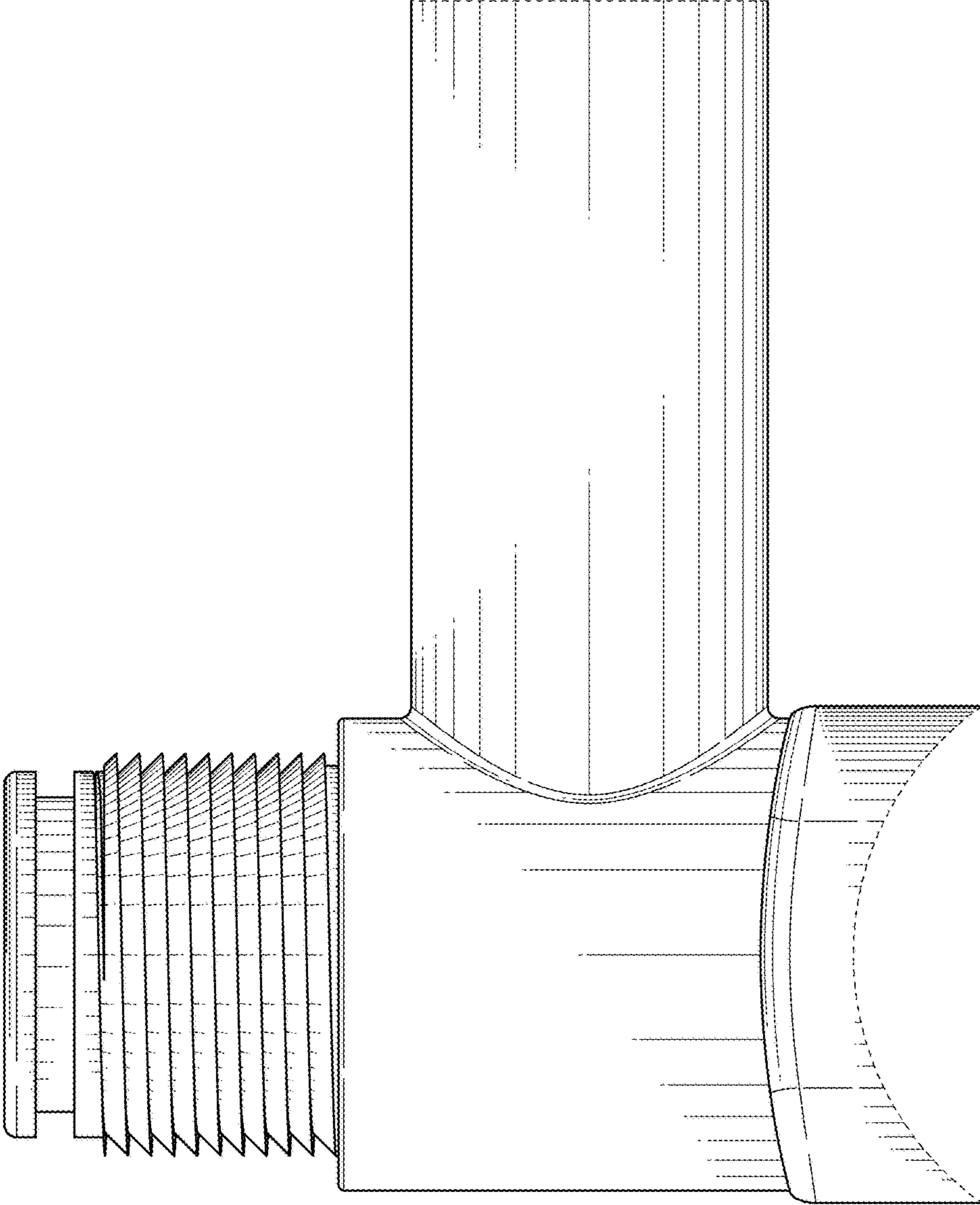


FIG. 4

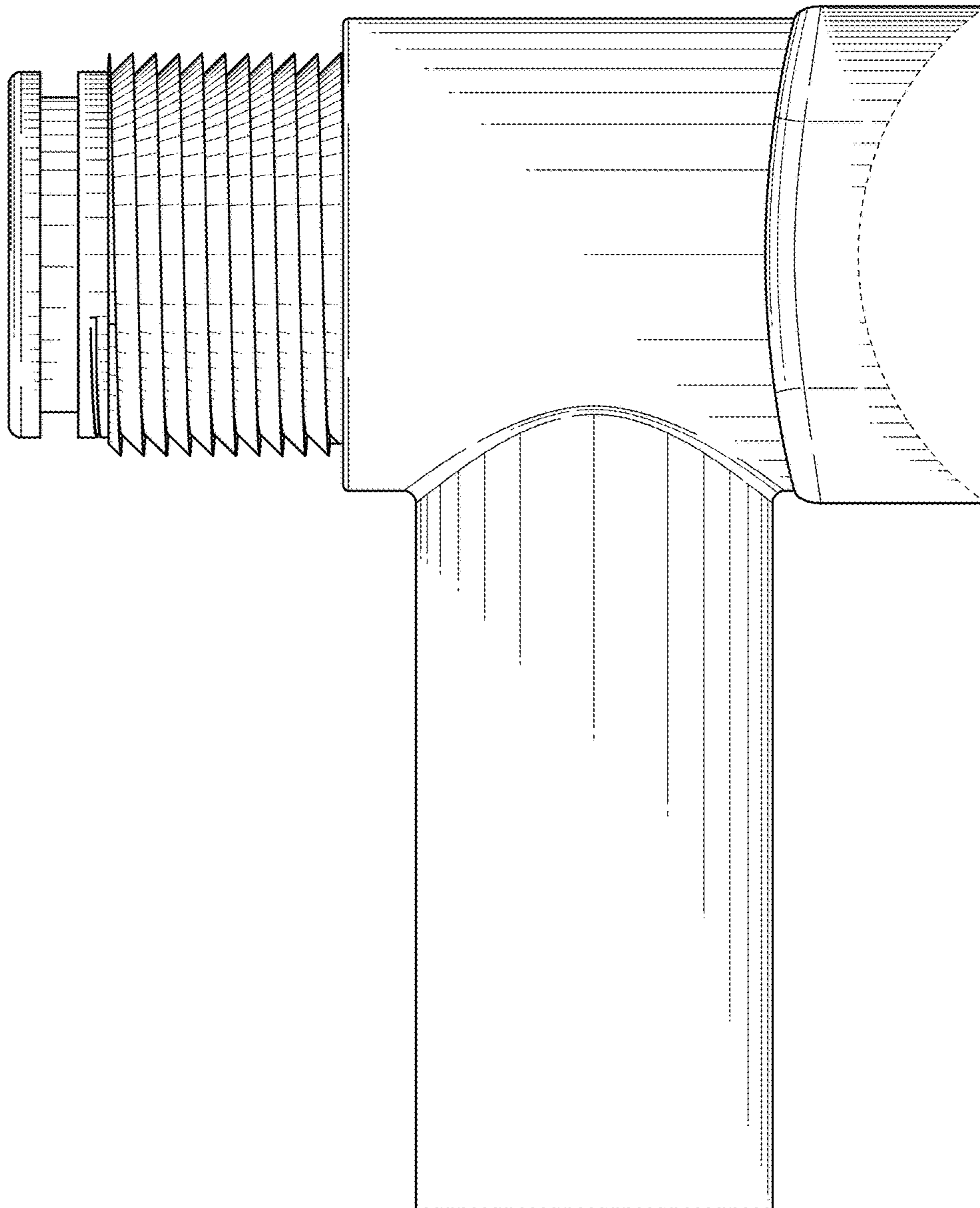


FIG. 5

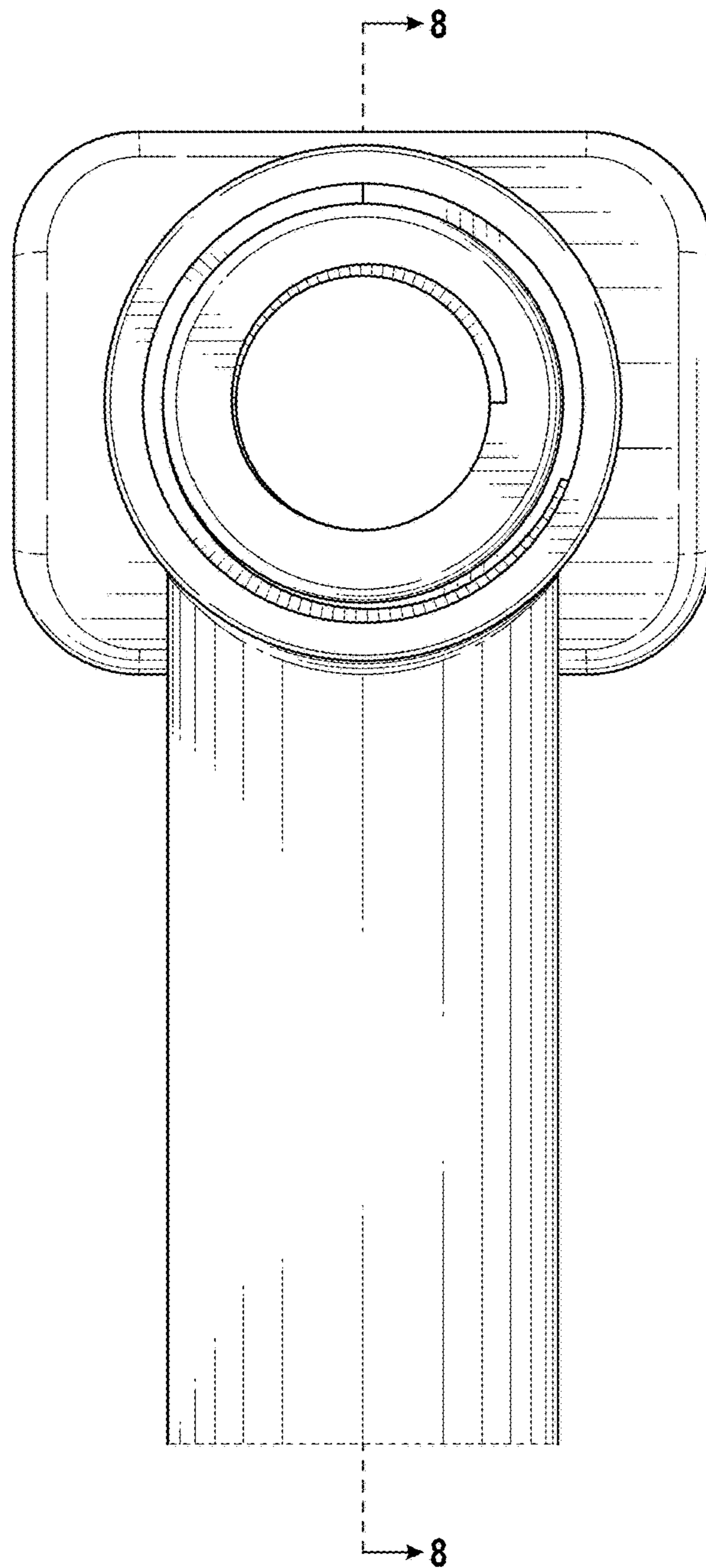


FIG. 6

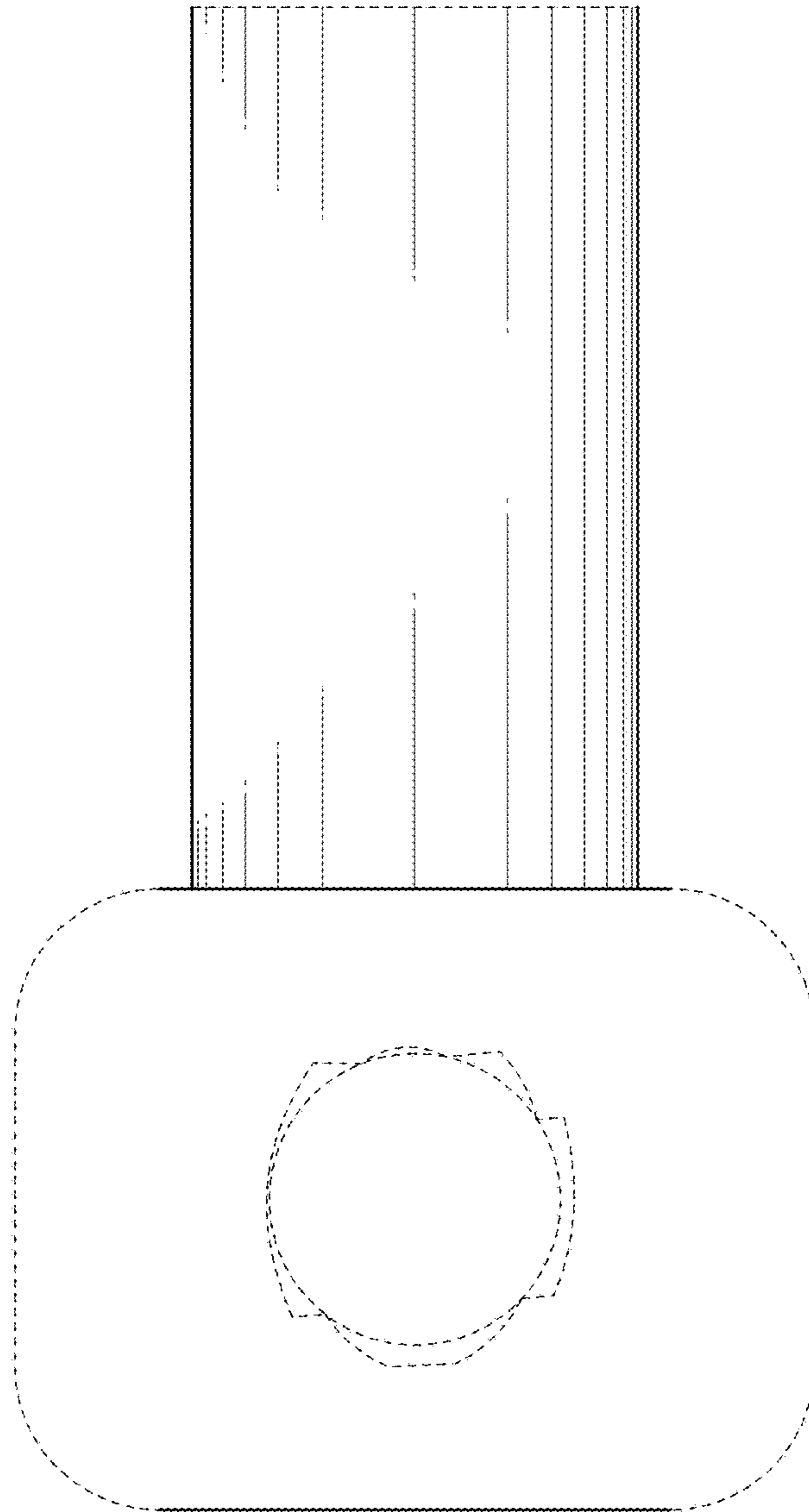


FIG. 7

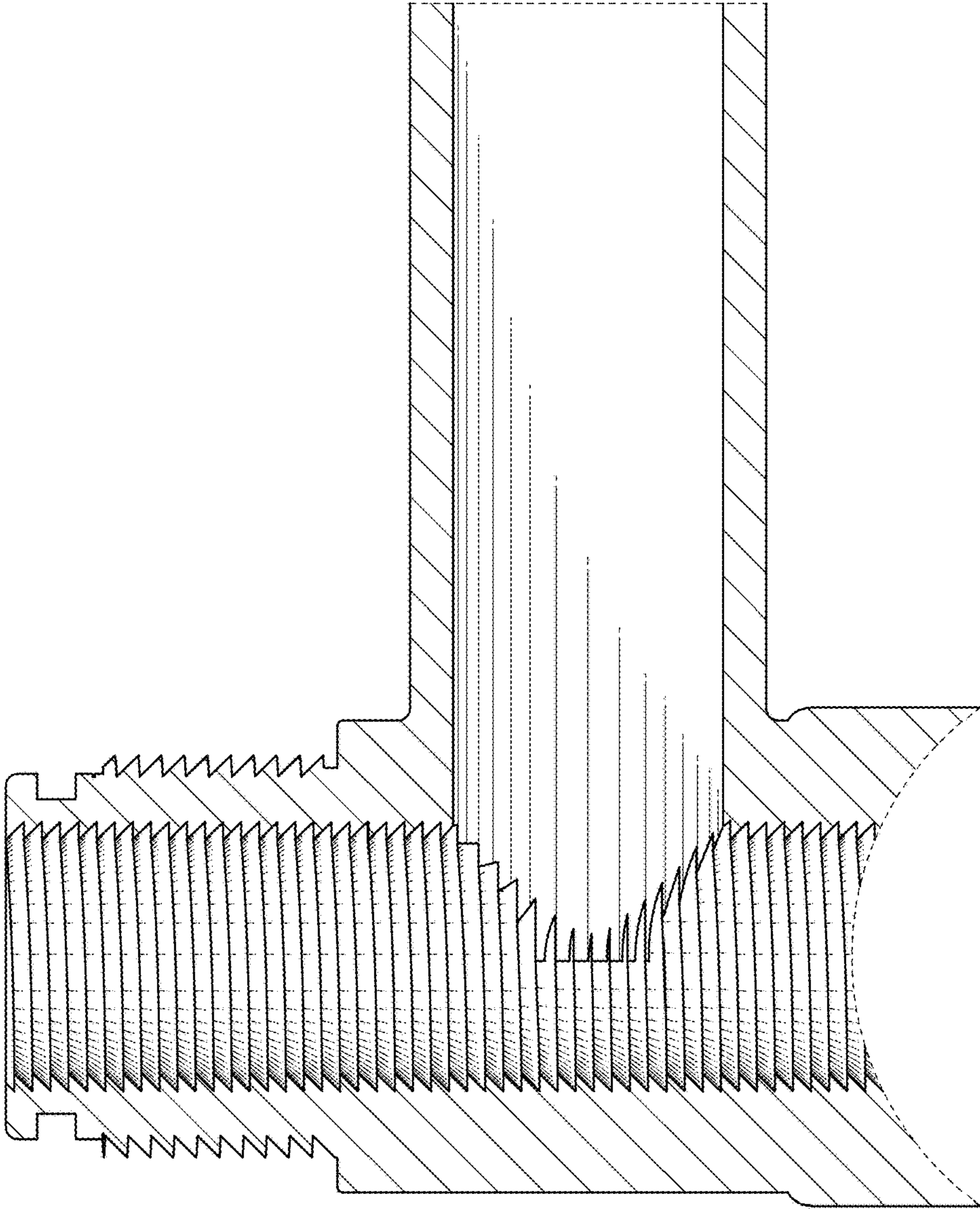


FIG. 8