

US00D841133S

(12) **United States Design Patent**
Karnegie

(10) **Patent No.:** **US D841,133 S**

(45) **Date of Patent:** **** Feb. 19, 2019**

- (54) **SINK DRAIN HAIR COLLECTOR**
- (71) Applicant: **Juka Innovations Corporation**,
Farmingdale, NY (US)
- (72) Inventor: **Serge Karnegie**, Farmingdale, NY (US)
- (73) Assignee: **JUKA INNOVATIONS CORPORATION**, Farmingdale, NY
(US)

- 2,337,331 A * 12/1943 Kirschner E03C 1/262
4/287
- 3,572,508 A * 3/1971 Rice B01D 29/23
210/130
- D246,109 S 10/1977 Rossen
- D550,819 S * 9/2007 Seehoff D23/261
- D643,508 S * 8/2011 Wilkinson D23/209
- D783,134 S 4/2017 Kamegie

(Continued)

(**) Term: **15 Years**

(21) Appl. No.: **29/662,453**

(22) Filed: **Sep. 5, 2018**

Related U.S. Application Data

(63) Continuation-in-part of application No. 29/641,385, filed on Mar. 21, 2018, and a continuation-in-part of application No. 29/644,282, filed on Apr. 16, 2018, and a continuation-in-part of application No. 14/990,476, filed on Jan. 7, 2016, and a continuation-in-part of application No. 15/464,576, filed on Mar. 21, 2017.

(51) **LOC (11) Cl.** **23-01**

(52) **U.S. Cl.**
USPC **D23/261**

(58) **Field of Classification Search**
USPC D23/208–210, 259–261; 210/155–159,
210/174; 4/286–292, 295, 680–682, 689,
4/693

CPC E03C 1/03; E03C 1/22; E03C 1/23; E03C
1/26; E03C 1/262; E03C 1/264

See application file for complete search history.

(56) **References Cited**

U.S. PATENT DOCUMENTS

- 394,213 A * 12/1888 Scannell E03C 1/264
4/289
- 1,436,294 A * 11/1922 Scott B60K 15/0406
210/473

FOREIGN PATENT DOCUMENTS

WO DM/091 585 3/2016

OTHER PUBLICATIONS

Drain Hair Catcher Strainer, Mifanstech, https://www.amazon.com/Strainer-Stainless-Mifanstech-Protector-Anti-rust/dp/B07F1KCWTM/ref=pd_sim_201_7? First Available Jun. 25, 2018, [Visited Online Nov. 17, 2018] (Year: 2018).*

(Continued)

Primary Examiner — Brandon M Rosati

Assistant Examiner — Amy C Wierenga

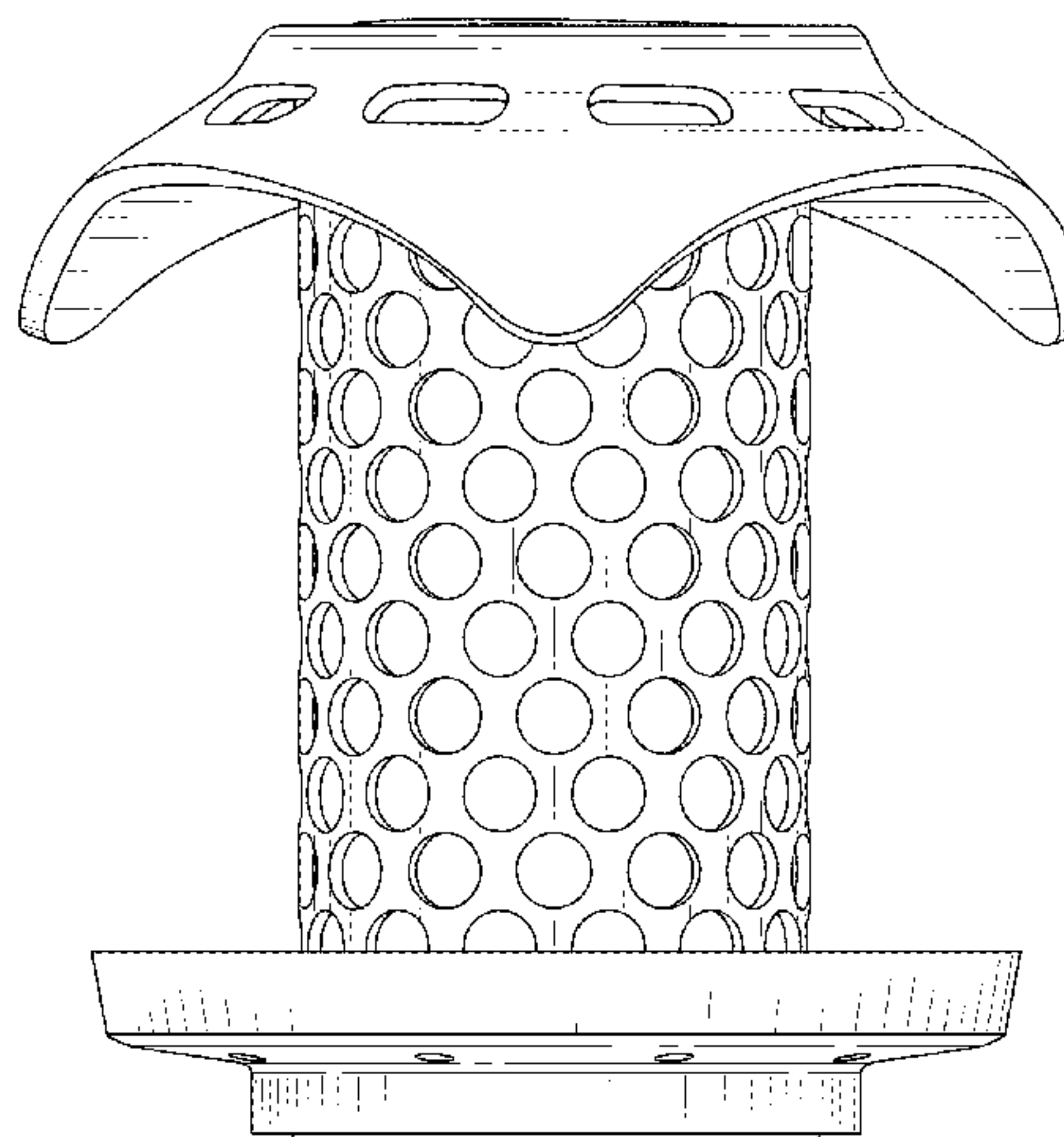
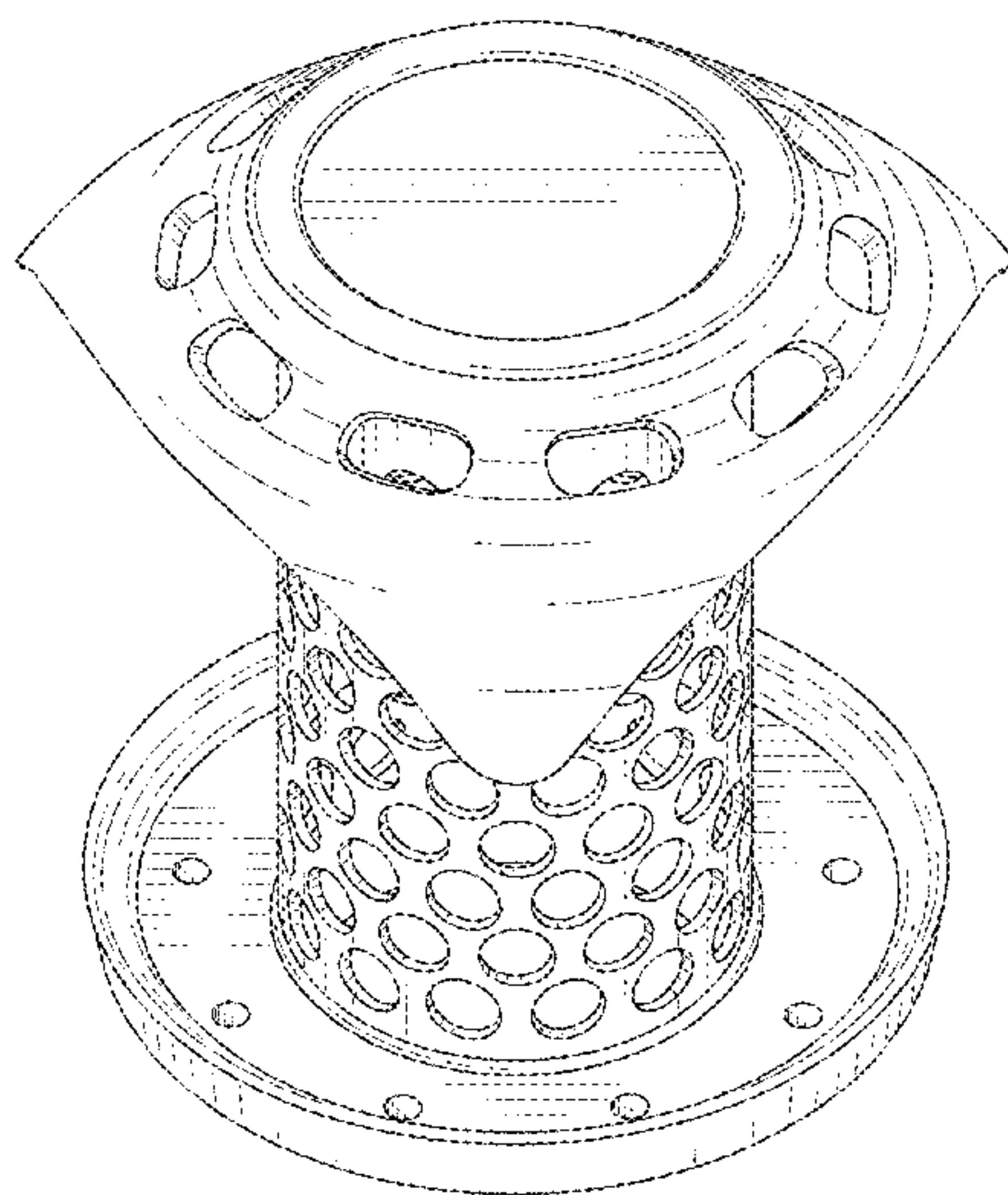
(57) **CLAIM**

The ornamental design for a sink drain hair collector, as shown and described.

DESCRIPTION

FIG. 1 is a top perspective view of a sink drain hair collector showing my new design;
 FIG. 2 is a bottom perspective view thereof;
 FIG. 3 is a front view thereof;
 FIG. 4 is a rear view thereof;
 FIG. 5 is a right view thereof, the left view being mirrored thereto;
 FIG. 6 is a top view thereof; and,
 FIG. 7 is a bottom view thereof.

1 Claim, 7 Drawing Sheets



(56)

References Cited

U.S. PATENT DOCUMENTS

D785,767 S * 5/2017 Karnegie E03C 1/264
 D23/261
 D794,759 S 8/2017 Kamegie
 D814,611 S * 4/2018 Karnegie D23/261
 2004/0255378 A1 * 12/2004 Tracy E03C 1/23
 4/689
 2010/0071122 A1 * 3/2010 Li E03C 1/262
 4/287
 2015/0321127 A1 * 11/2015 Arent E03C 1/264
 210/232
 2016/0130793 A1 * 5/2016 Lesmeister E03C 1/264
 4/287
 2017/0073949 A1 3/2017 Kamegie
 2018/0106025 A1 * 4/2018 Schuster E03C 1/262

OTHER PUBLICATIONS

Drain Hair Catcher, Drain Strainer, QcoQce Stainless Steel, <https://www.amazon.com/QcoQce-Stainless-Anti-rust-Anti-Mold-Protector/>

[dp/B07FYXLYJ1/ref=pp_sides_title](https://www.amazon.com/dp/B07FYXLYJ1/ref=pp_sides_title) Date First Available Jul. 27, 2018, [Visited Online Nov. 17, 2018] (Year: 2018).*

GBmall Tub Drain Hair Catcher/Strainer, https://www.amazon.com/dp/B07F2953N3/ref=sspa_dk_detail_4?psc=1#customerReviews Earliest Review Jul. 11, 2018, [Visited Online Nov. 17, 2018] (Year: 2018).*

Drain Head Catcher/Bathtub Drain Cover/Bathtub Shower Drain Protector/Filter / Stainless Steel and Four Sizes of Rubber Seal Ring, by WELAN, https://www.amazon.com/dp/B07GL5HP4G/ref=sspa_dk_detail_4?psc=1&pd_rd_i=B07GL5HP4G Date First Available Aug. 17, 2018, [Visited Online Aug. 17, 2018] (Year: 2018).*
 NewYork Magazine, The Strategist, Allison Freer, "This things Incredible-Best Shower Trap Review", Uxoz Drain Hair Catcher, p. 4, Published Apr. 11, 2017, [Visited Online Aug. 28, 2018], <http://nymag.com/strategist/article/best-shower-trap-tubshroom-review.html>.

Drain Hair Catcher Strainer, Earliest Review Jul. 11, 2018, [Visited Online Aug. 28, 2018], <https://www.amazon.com/Strainer-Stainless-Mifanstech-Protector-Anti-rust/dp/B07F1KCWTM>.

* cited by examiner

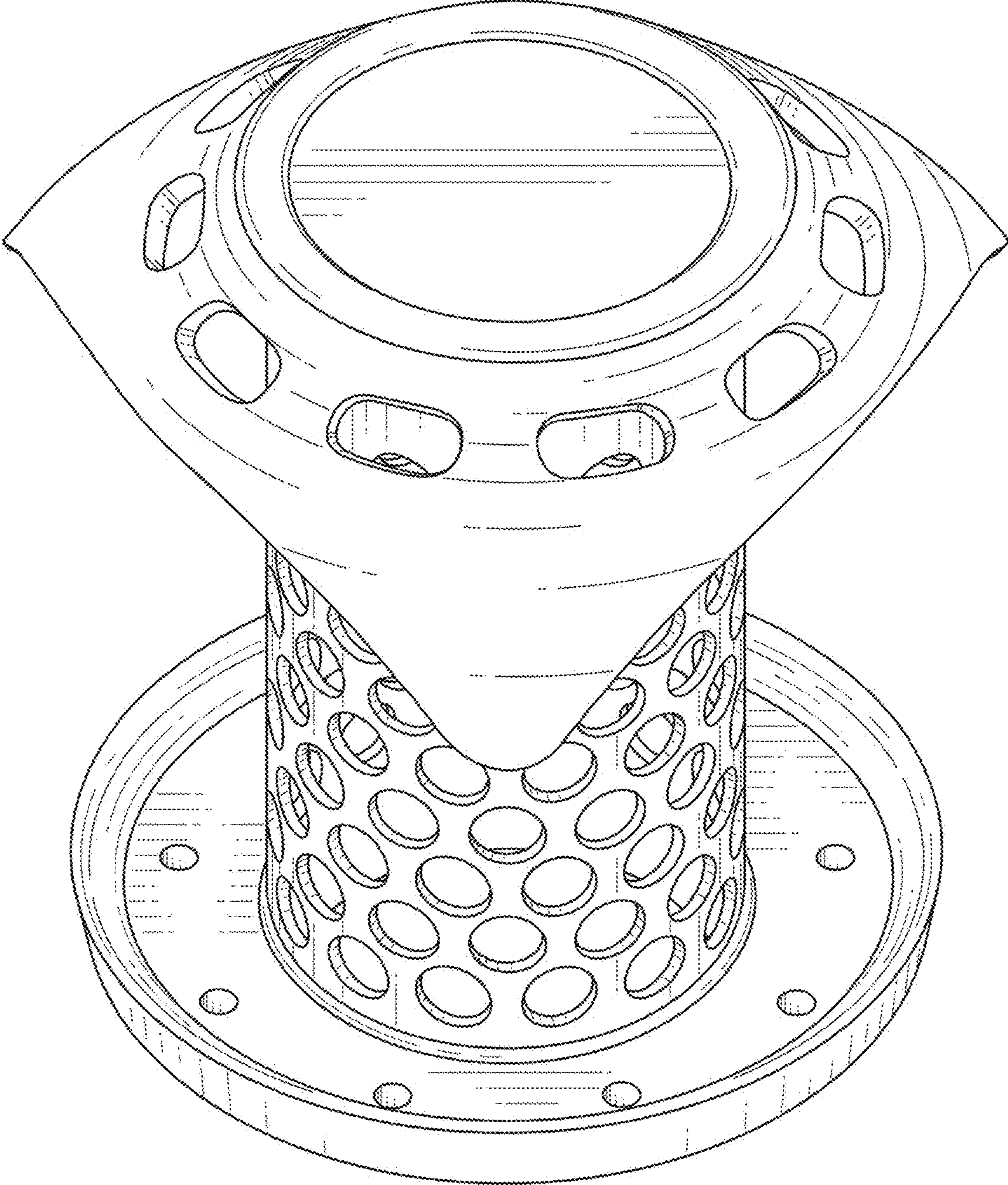


FIG. 1

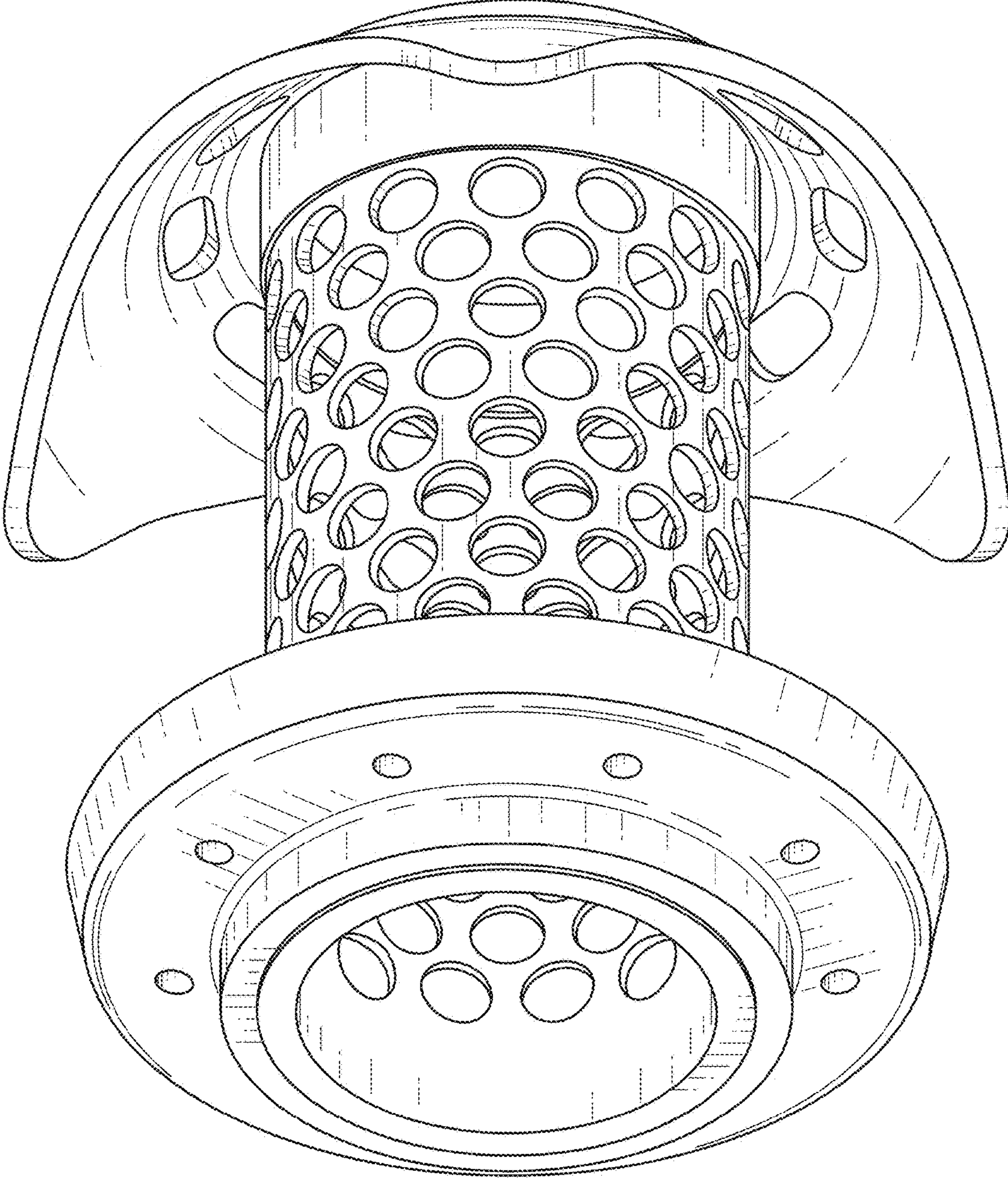


FIG. 2

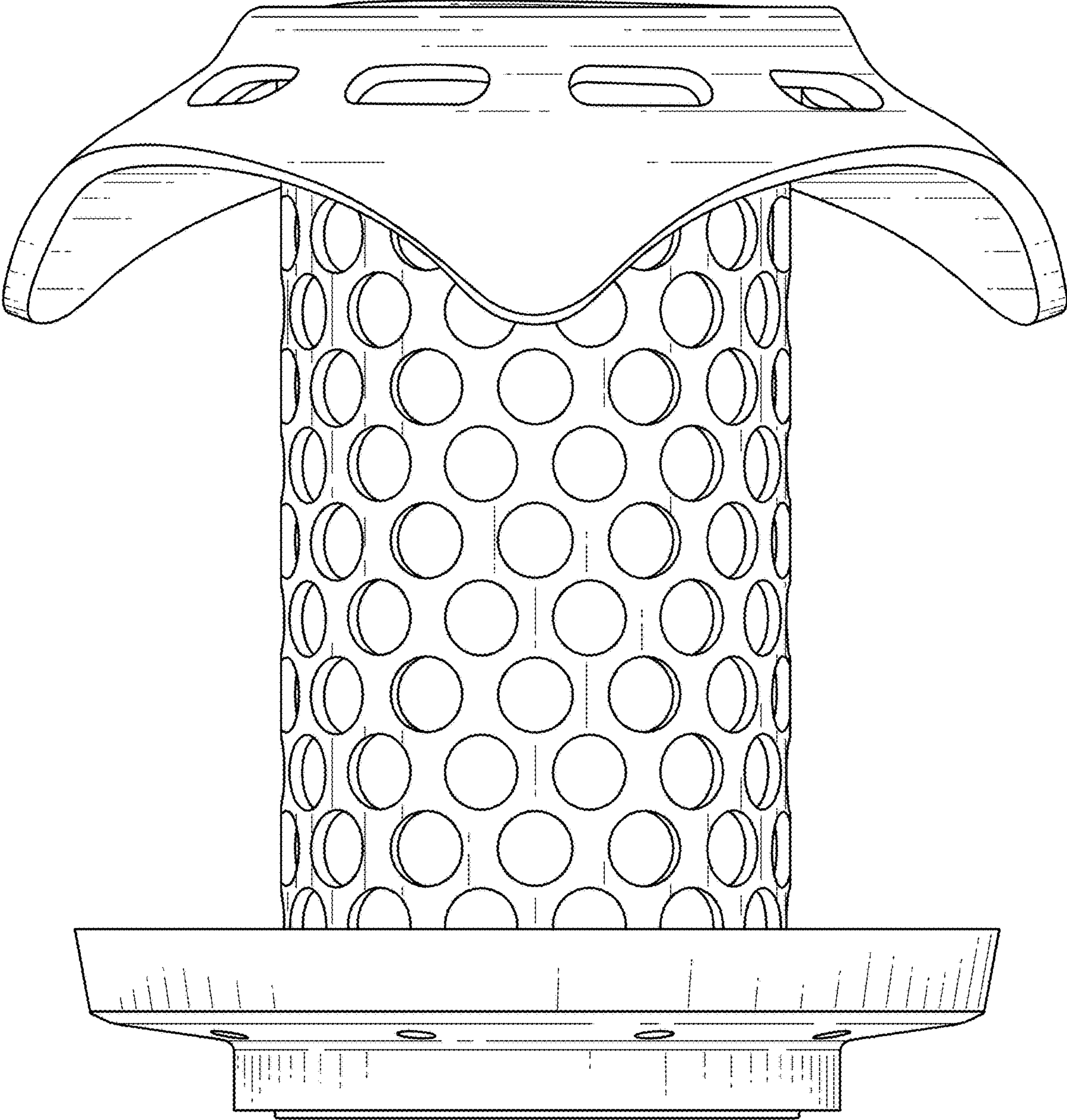


FIG. 3

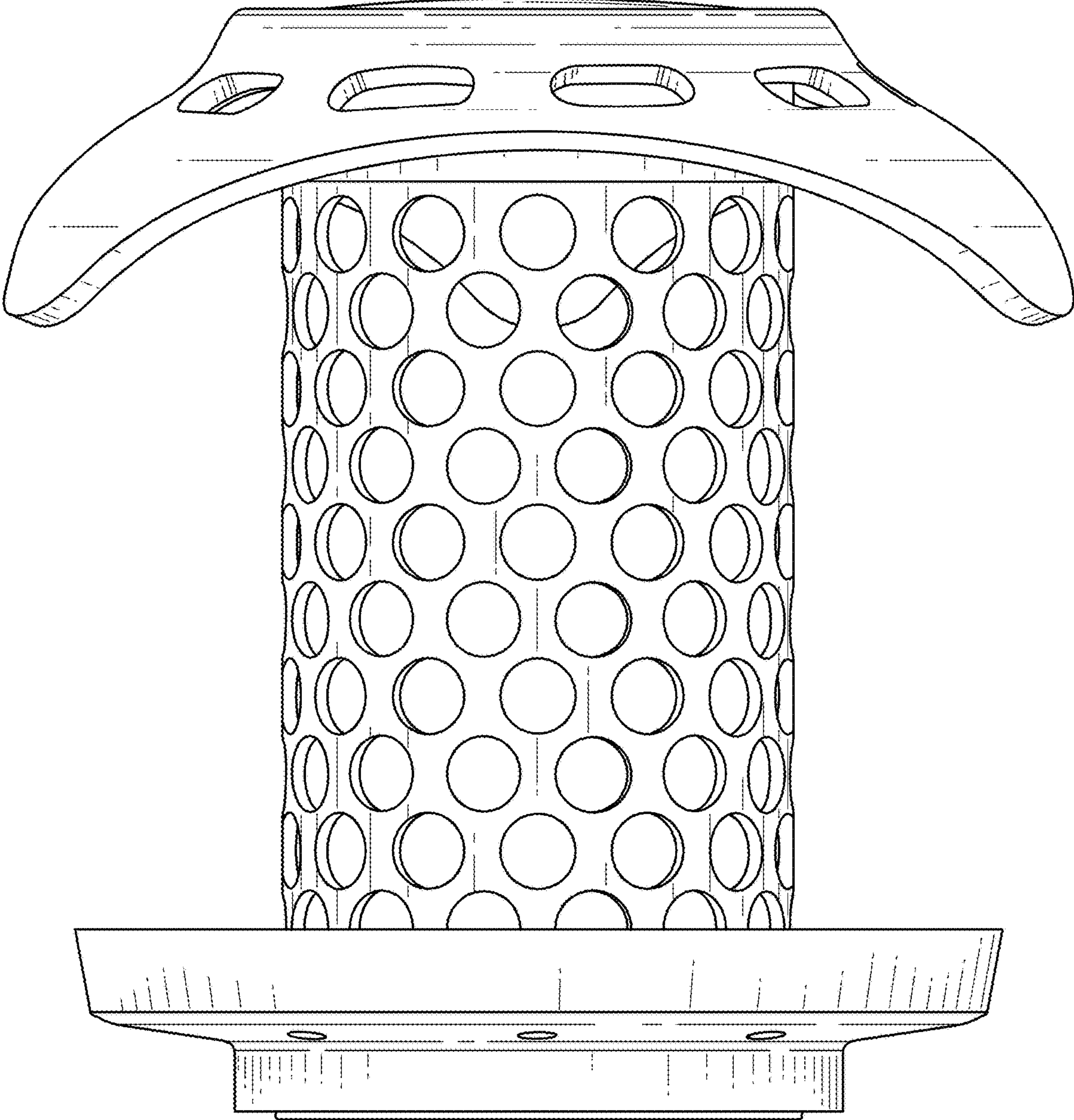


FIG. 4

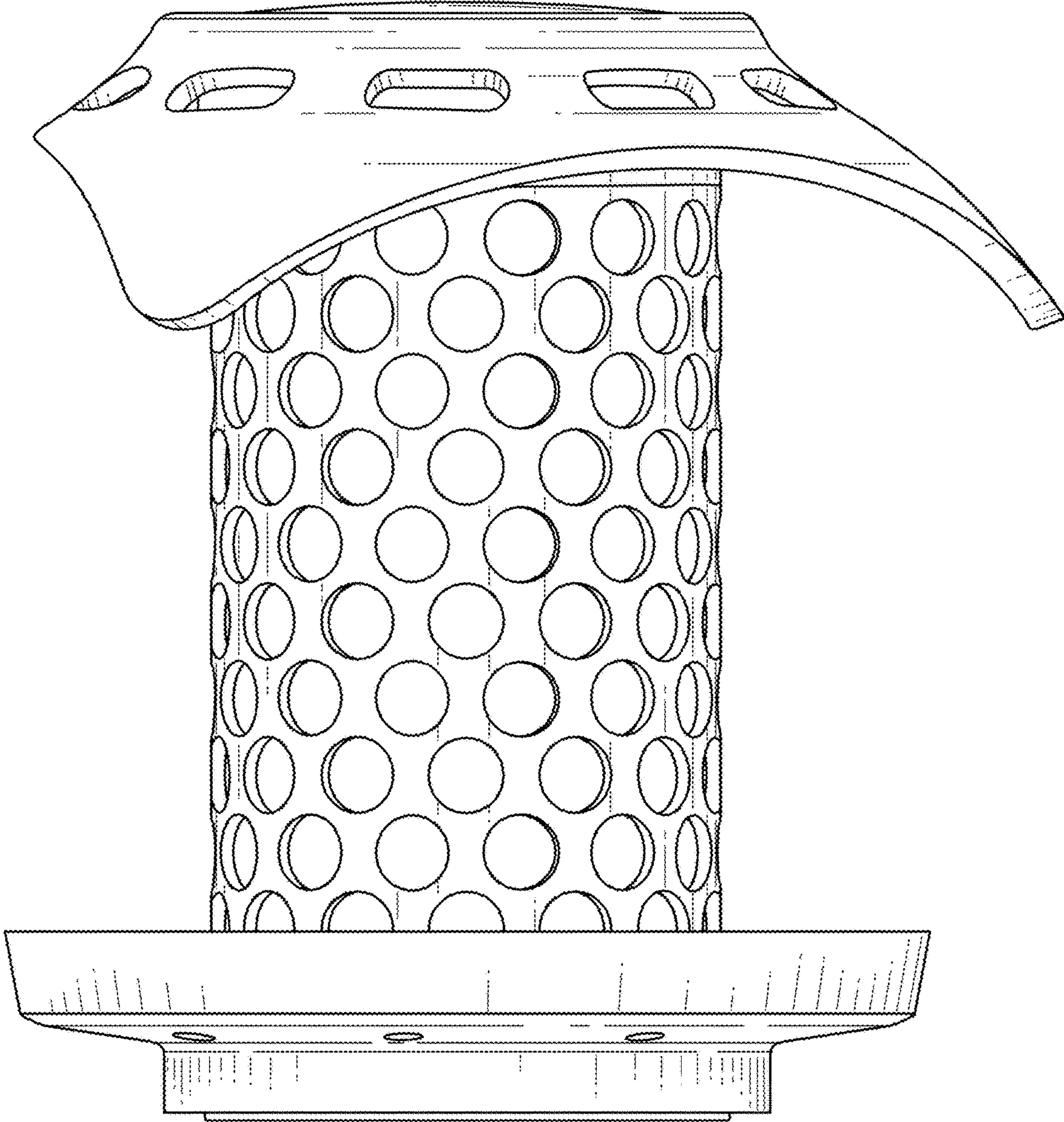


FIG. 5

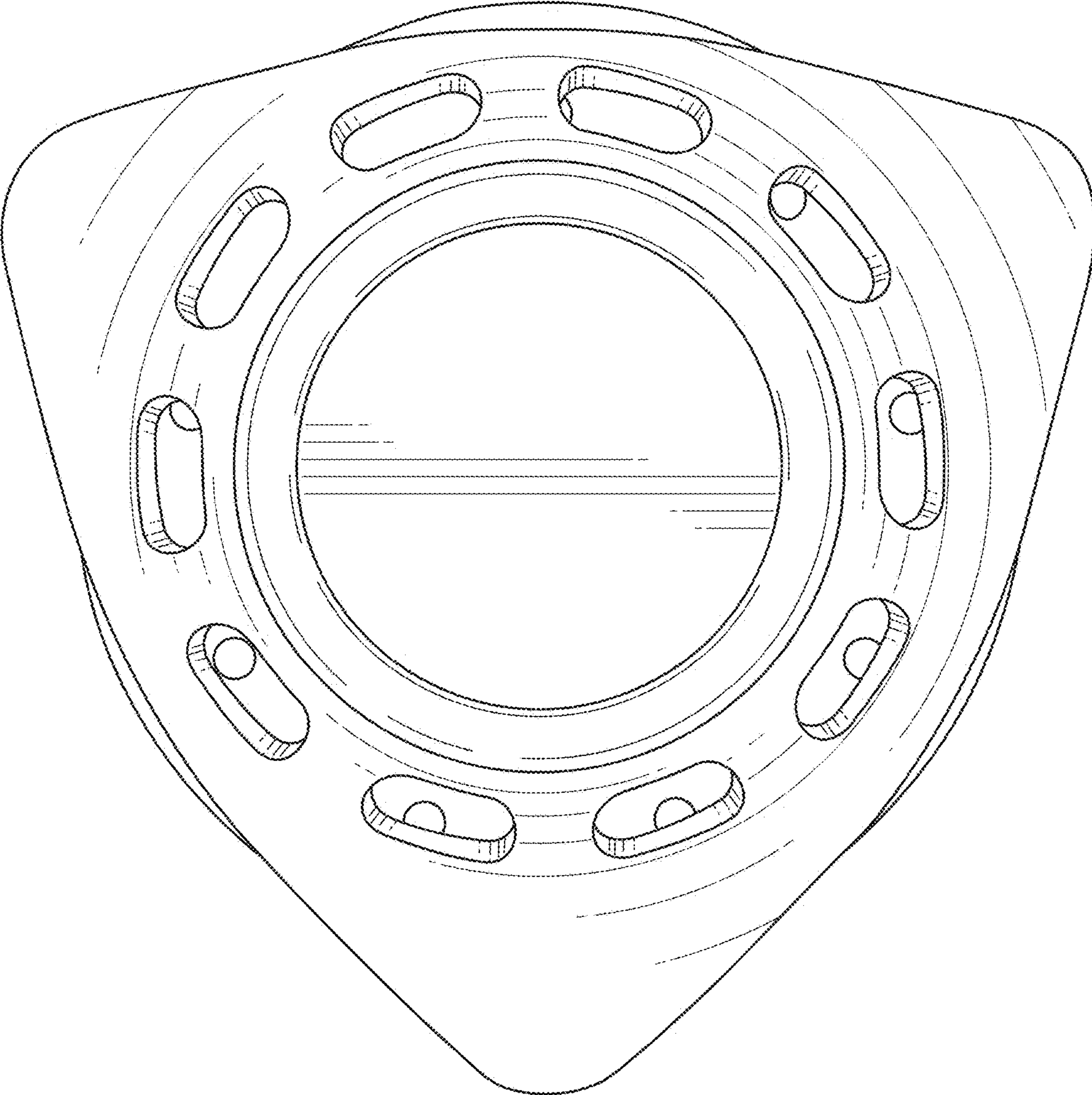


FIG. 6

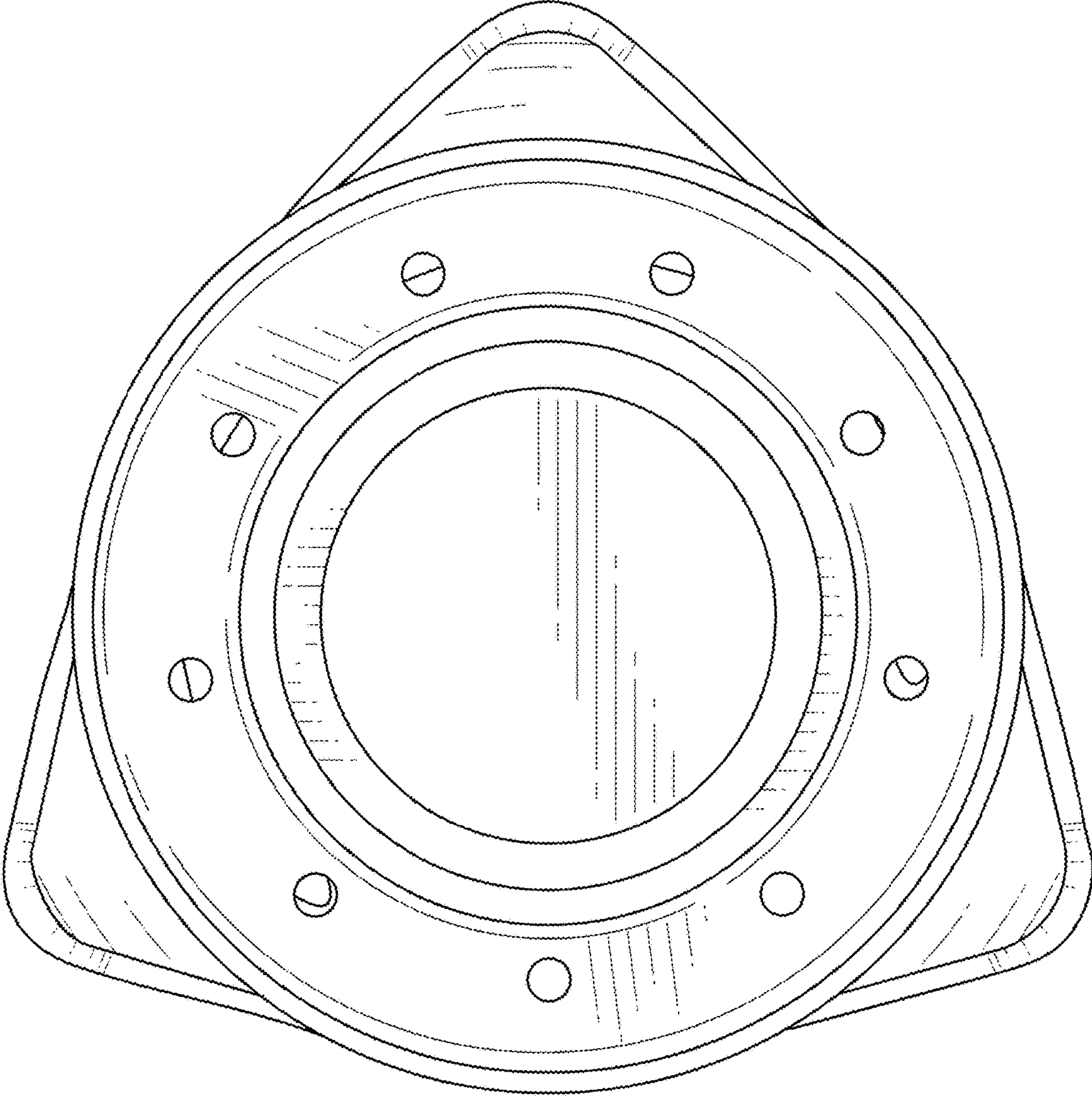


FIG. 7