



US00D841130S

(12) **United States Design Patent** (10) **Patent No.:** **US D841,130 S**  
**Eads** (45) **Date of Patent:** **\*\* Feb. 19, 2019**

- (54) **FAUCET SPOUT**
- (71) Applicant: **DELTA FAUCET COMPANY,**  
Indianapolis, IN (US)
- (72) Inventor: **Thad Eads,** Urbana, IN (US)
- (73) Assignee: **DELTA FAUCET COMPANY,**  
Indianapolis, IN (US)
- (\*\*) Term: **15 Years**
- (21) Appl. No.: **29/617,646**
- (22) Filed: **Sep. 15, 2017**
- (51) **LOC (11) Cl.** ..... **23-01**
- (52) **U.S. Cl.**  
USPC ..... **D23/255**
- (58) **Field of Classification Search**  
USPC ..... D23/238–243, 249, 255, 257  
CPC ..... Y10T 137/9464  
See application file for complete search history.

- D519,617 S \* 4/2006 Hoernig ..... D23/255
- D757,912 S \* 5/2016 Eads ..... D23/255
- D828,520 S \* 9/2018 Ryu ..... D23/255

\* cited by examiner

*Primary Examiner* — Robert A Delehanty  
(74) *Attorney, Agent, or Firm* — Edgar A. Zarins; Nirav D. Parikh

(57) **CLAIM**

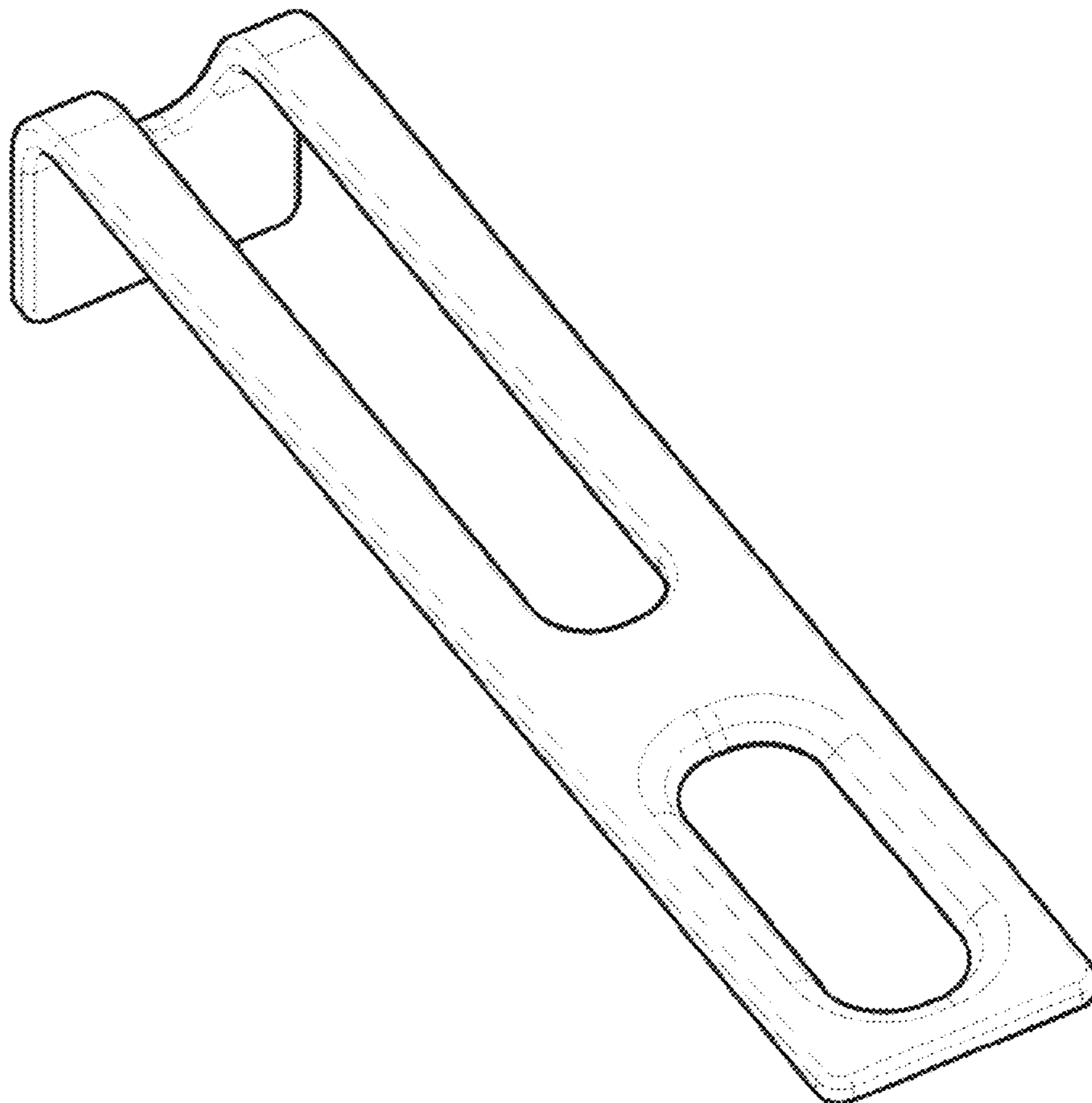
The ornamental design for a faucet spout, as shown and described.

**DESCRIPTION**

FIG. 1 is a front perspective view of a faucet spout showing my new design;  
FIG. 2 is a rear perspective view thereof;  
FIG. 3 is a bottom plan view thereof;  
FIG. 4 is a top plan view thereof;  
FIG. 5 is a right side view thereof, the opposite side being a mirror image of the side shown; and,  
FIG. 6 is a front end view thereof.

- (56) **References Cited**  
U.S. PATENT DOCUMENTS  
D203,244 S \* 12/1965 Bilkiss ..... D23/255

**1 Claim, 3 Drawing Sheets**



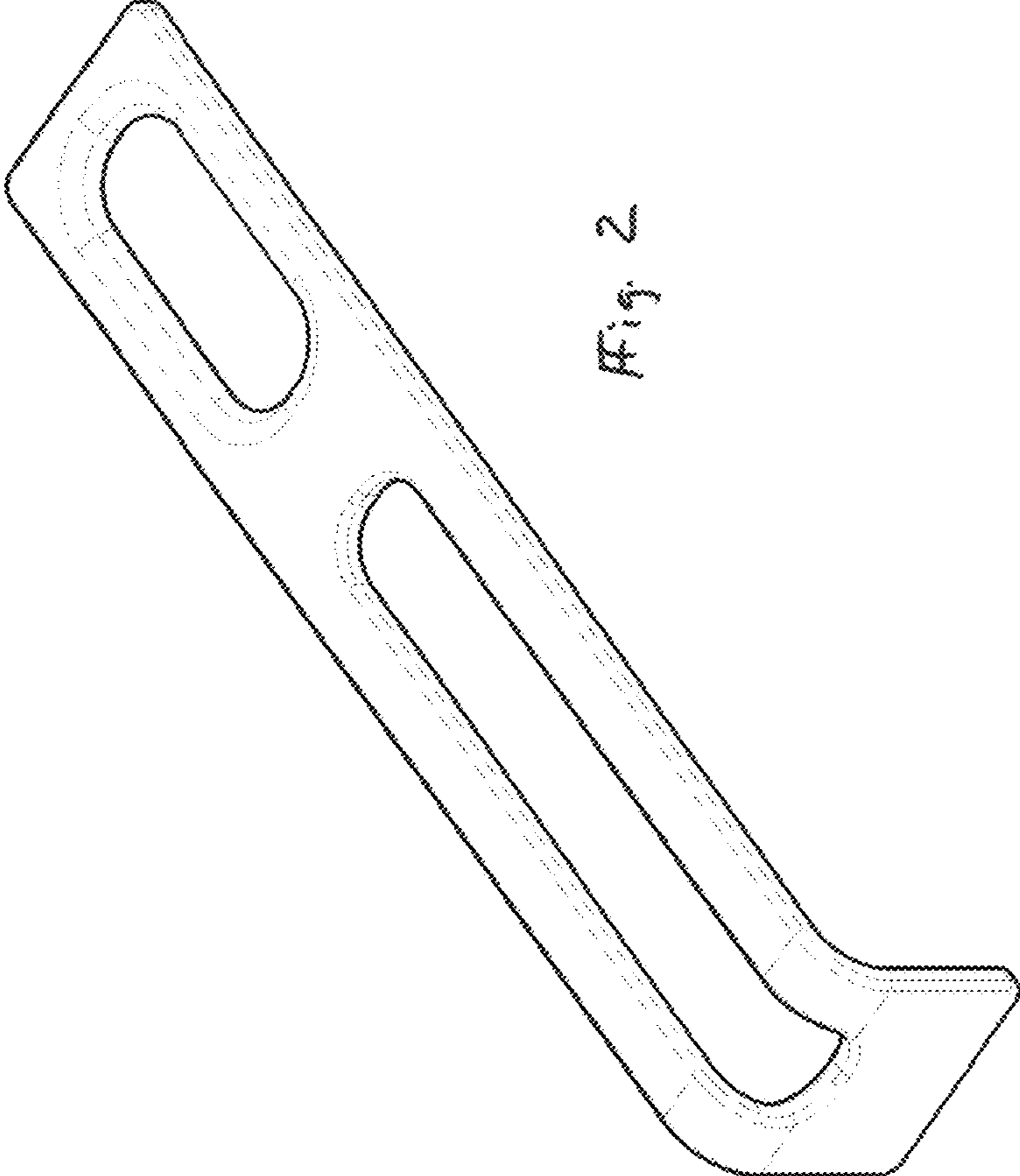


Fig. 2

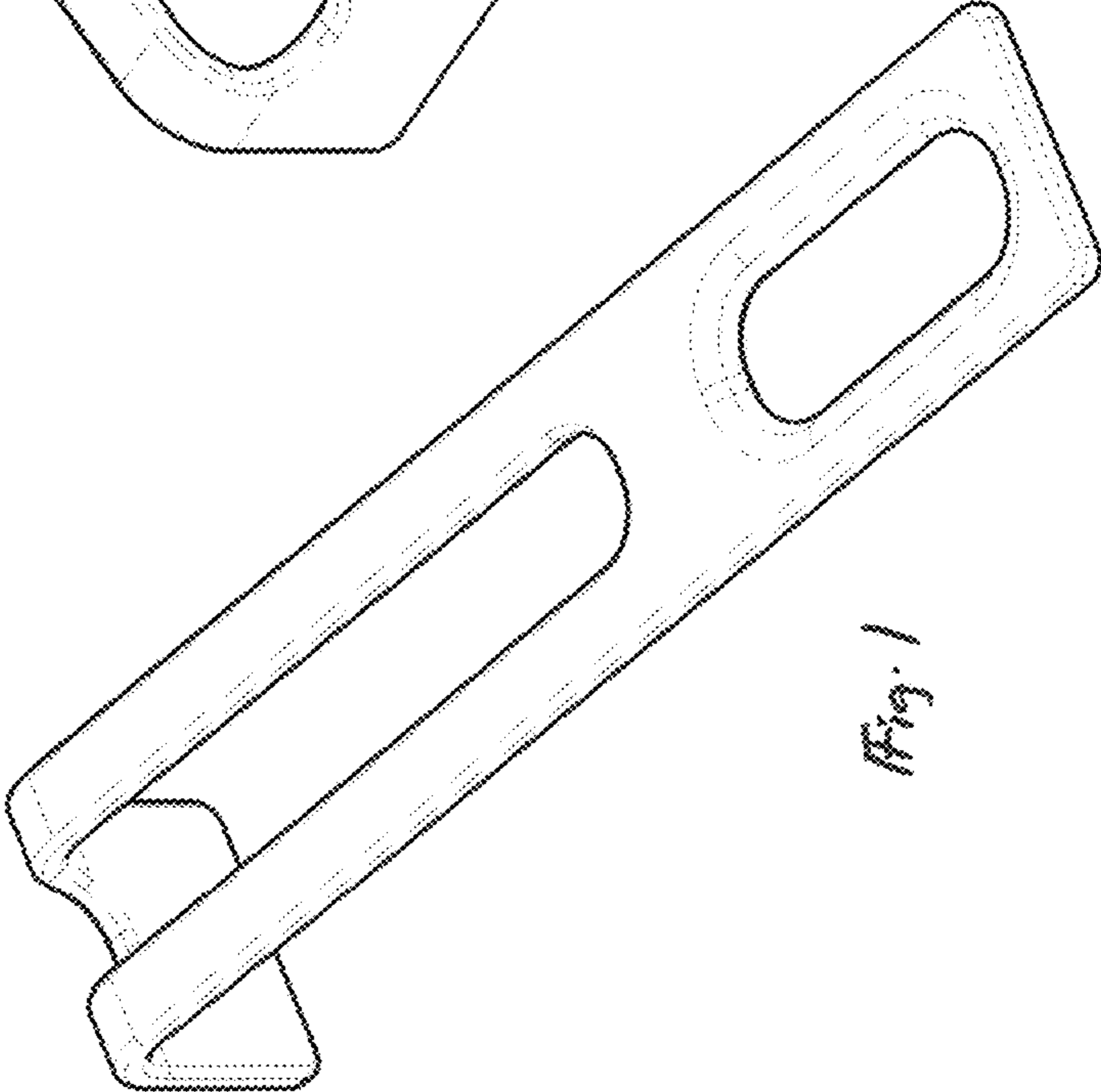


Fig. 1

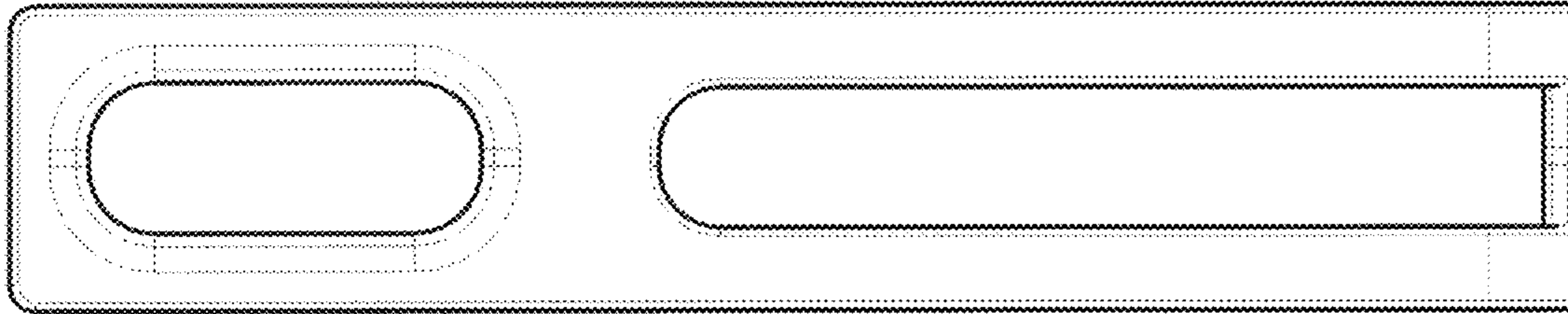


Fig. 4

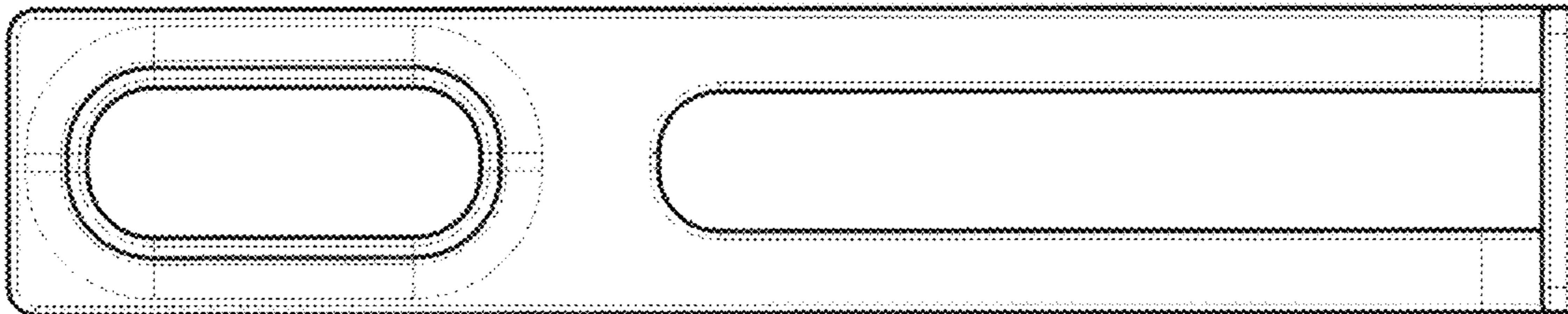


Fig. 3

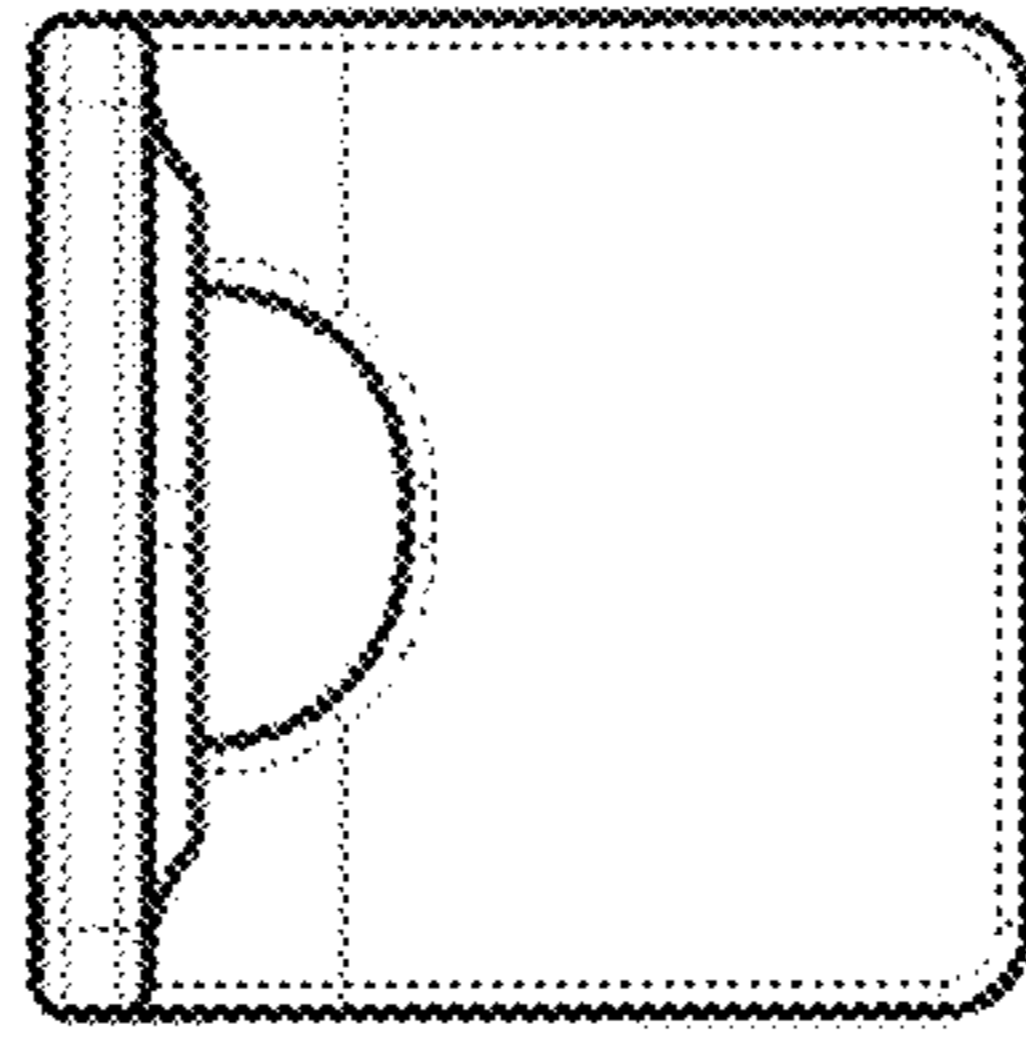


Fig. 6

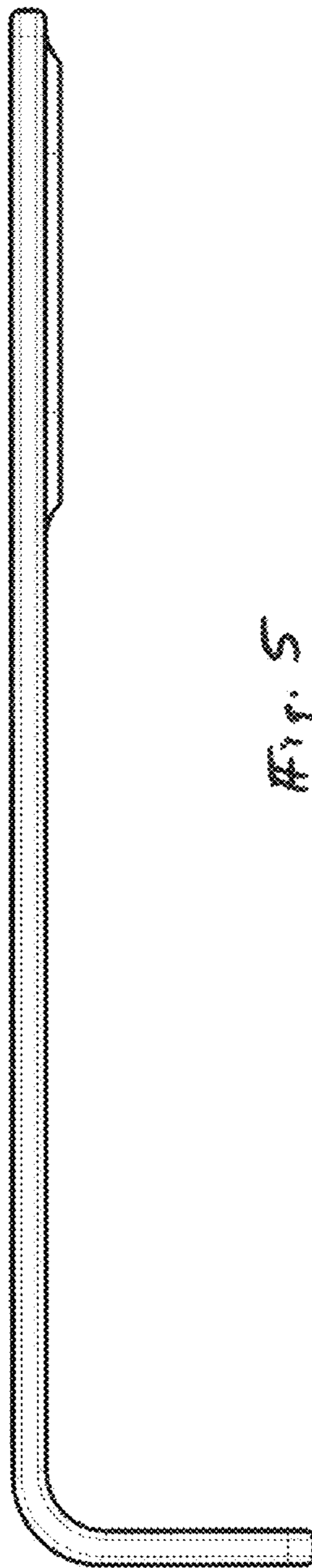


Fig. 5