



US00D841129S

(12) **United States Design Patent**
Garland et al.

(10) **Patent No.:** **US D841,129 S**

(45) **Date of Patent:** **** Feb. 19, 2019**

(54) **FAUCET**

(71) Applicant: **DELTA FAUCET COMPANY**,
Indianapolis, IN (US)

(72) Inventors: **Celine Kwok Garland**, Zionsville, IN
(US); **Alejandra Lazarini**, Carmel, IN
(US)

(73) Assignee: **DELTA FAUCET COMPANY**,
Indianapolis, IN (US)

(**) Term: **15 Years**

(21) Appl. No.: **29/621,104**

(22) Filed: **Oct. 4, 2017**

(51) **LOC (11) Cl.** **23-01**

(52) **U.S. Cl.**
USPC **D23/238**

(58) **Field of Classification Search**
USPC D23/238-243, 249, 255, 257;
D8/307-308
CPC E03C 1/04; E03C 1/0401; E03C 1/0402;
E03C 1/0404; Y10T 137/9464
See application file for complete search history.

(56) **References Cited**

U.S. PATENT DOCUMENTS

D486,563 S * 2/2004 Hsieh D23/238
D517,653 S * 3/2006 Ito D23/238

D628,277 S * 11/2010 Montgomery D23/252
D693,907 S * 11/2013 Mendoza D23/238
D811,547 S * 2/2018 Andrew D23/254
D825,032 S * 8/2018 He D23/238

* cited by examiner

Primary Examiner — Robert A Delehanty

(74) *Attorney, Agent, or Firm* — Edgar A. Zarins; Nirav
D. Parikh

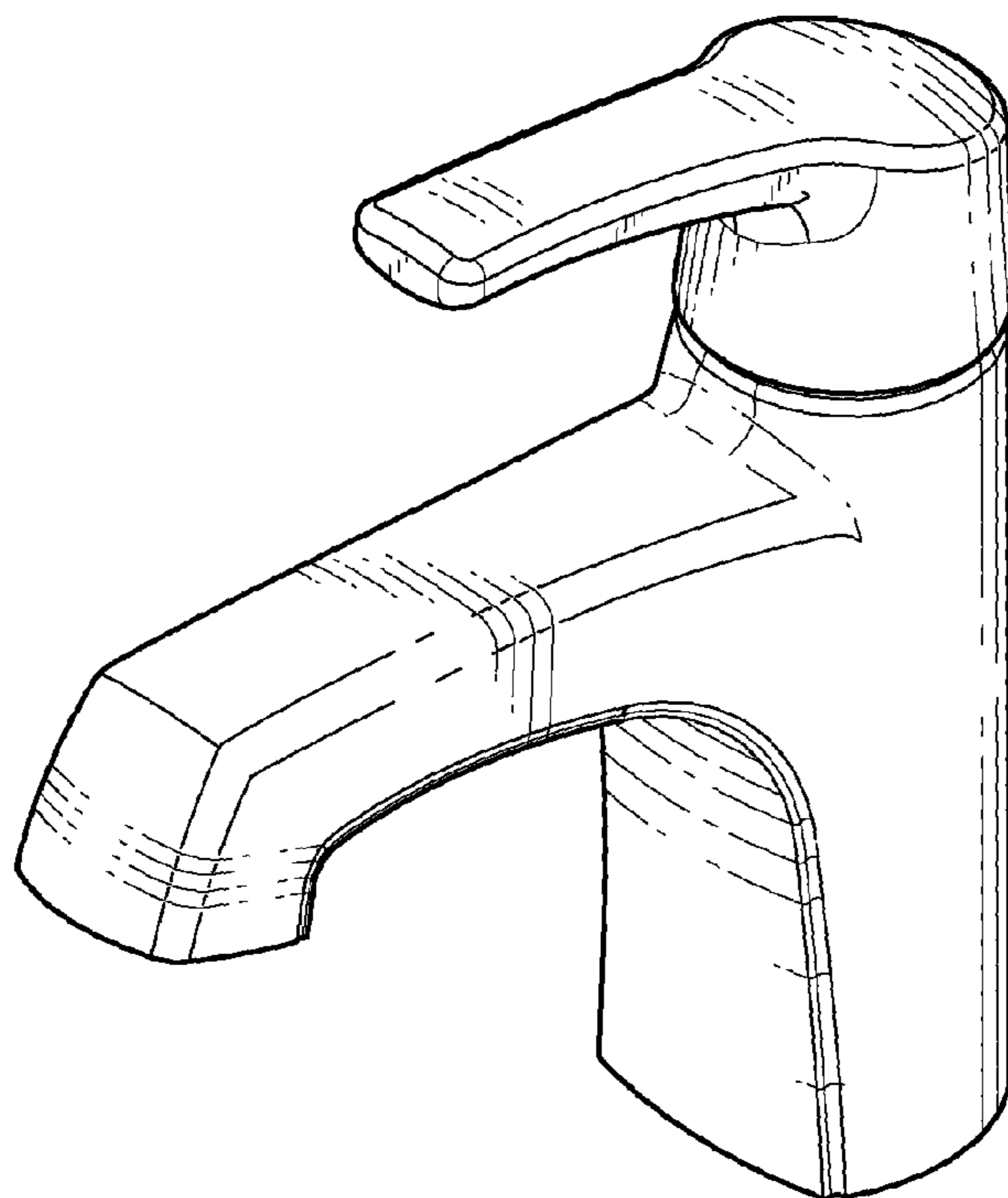
(57) **CLAIM**

The ornamental design for a faucet, as shown and described.

DESCRIPTION

FIG. 1 is a perspective view of a faucet showing our new design;
FIG. 2 is a top plan view thereof;
FIG. 3 is a bottom view thereof;
FIG. 4 is a left side view thereof, the opposite side being a mirror image of the side shown;
FIG. 5 is a front elevational view thereof; and,
FIG. 6 is a rear view thereof.
The broken lines in the drawings depict portions of the design that form no part of the claim.

1 Claim, 2 Drawing Sheets



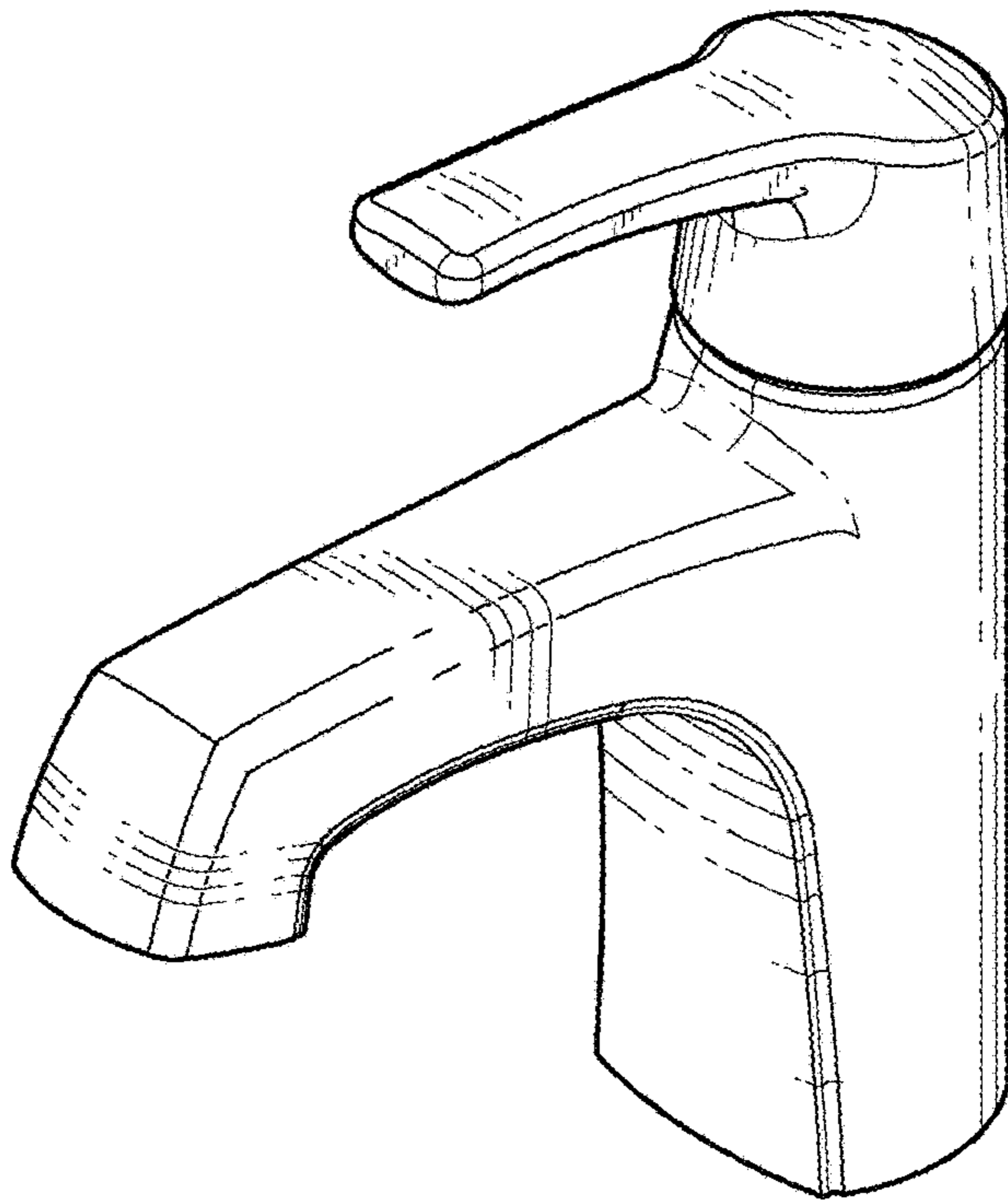


Fig-1

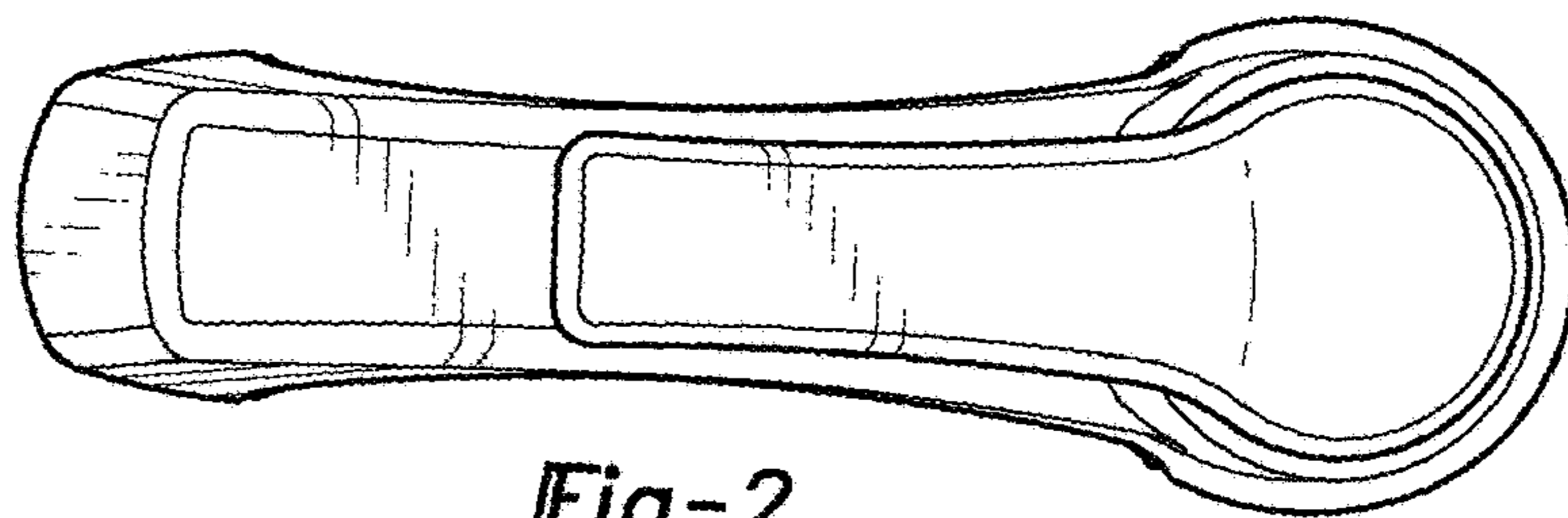


Fig-2

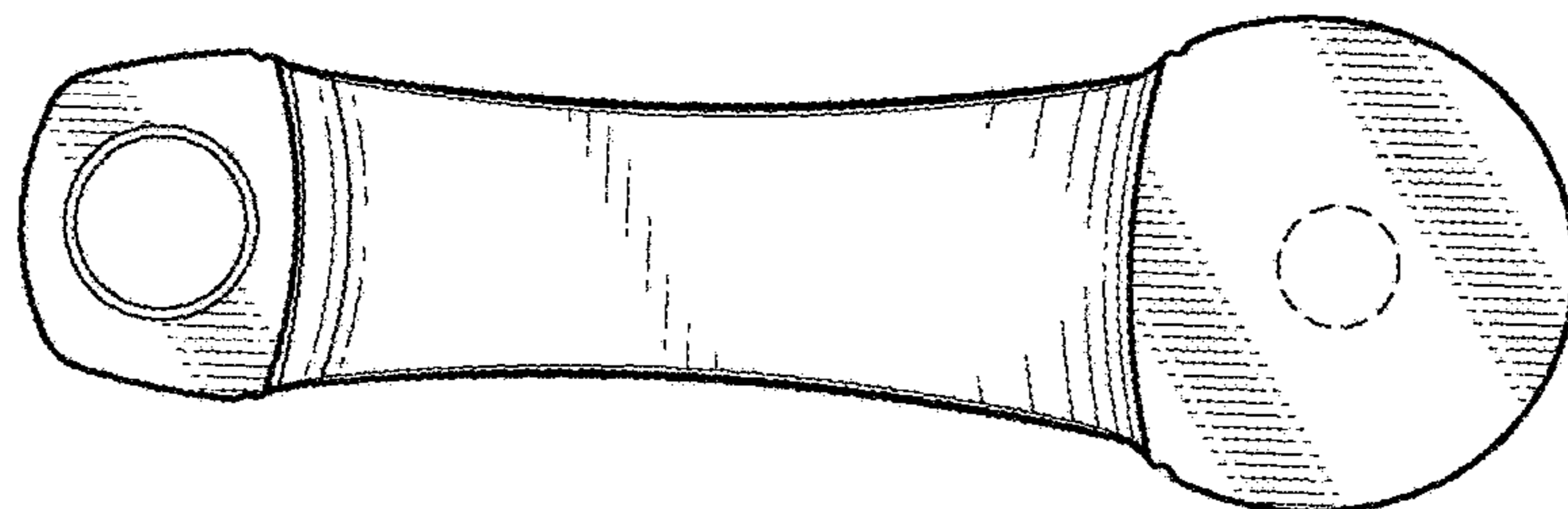


Fig-3

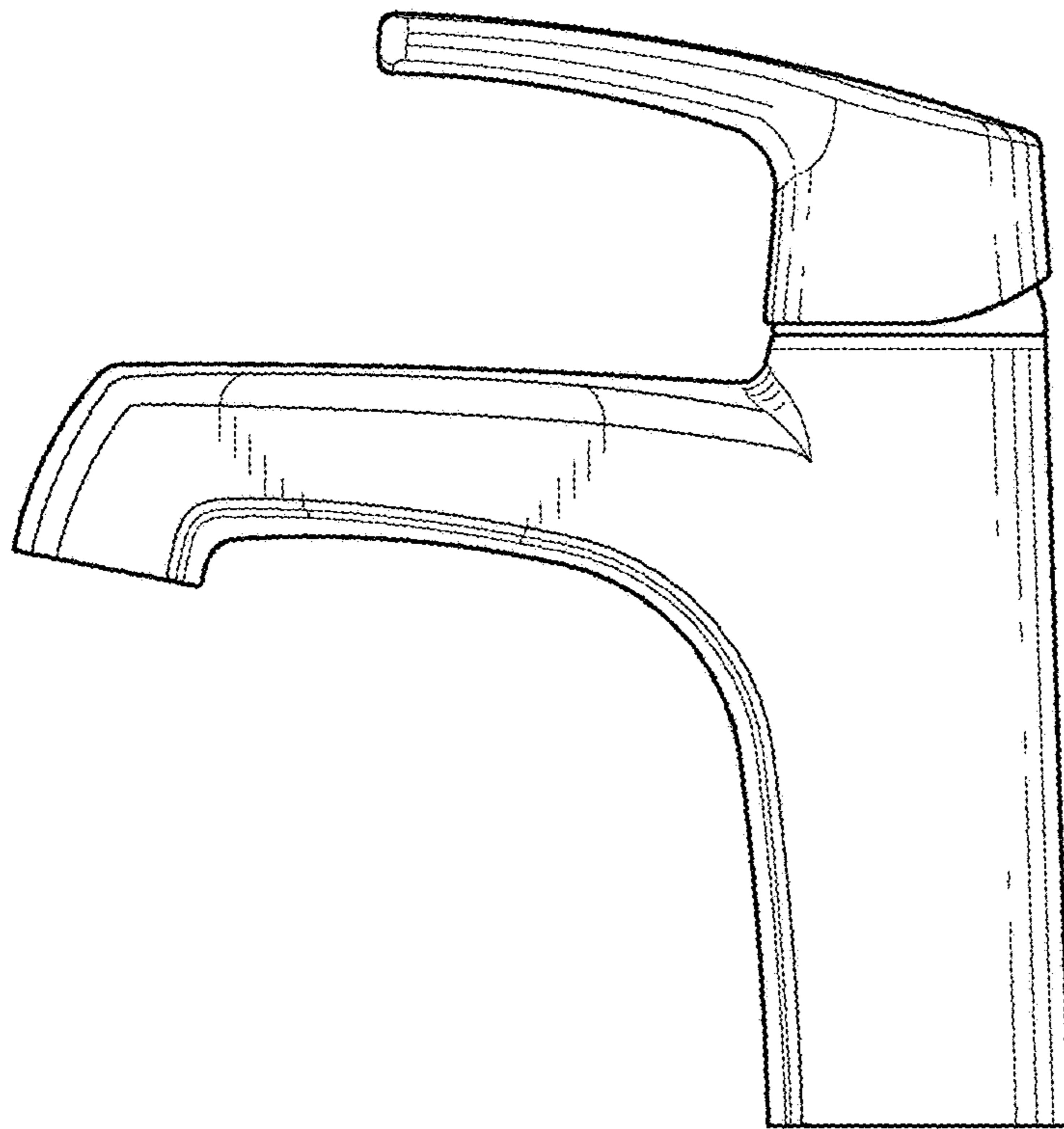


Fig-4

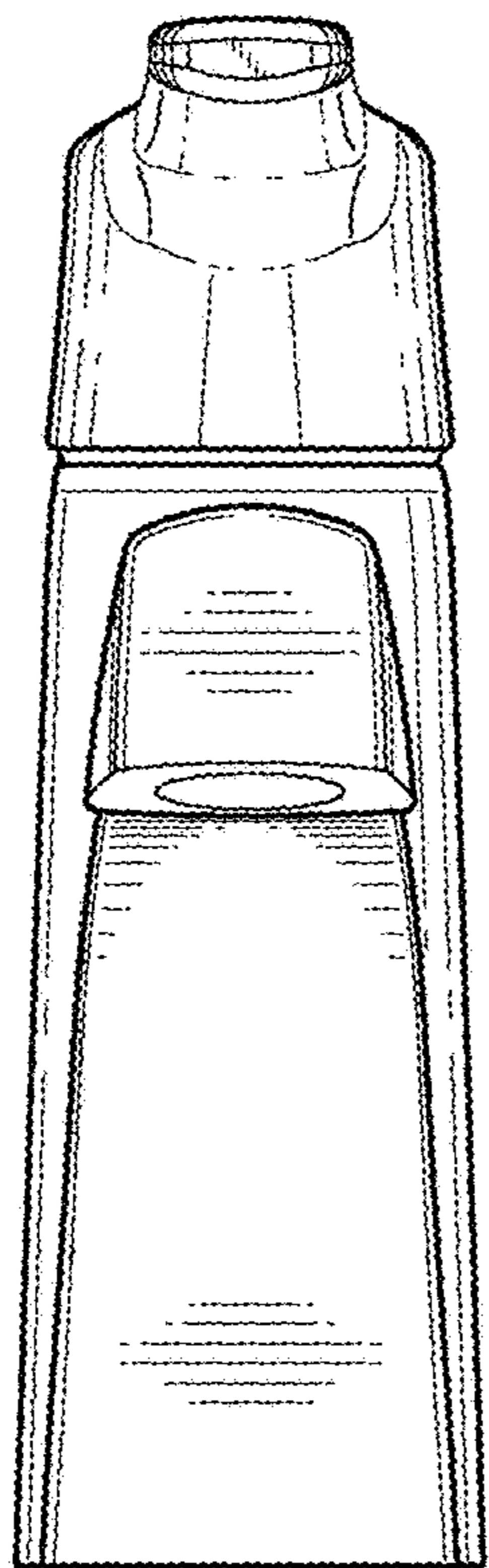


Fig-5

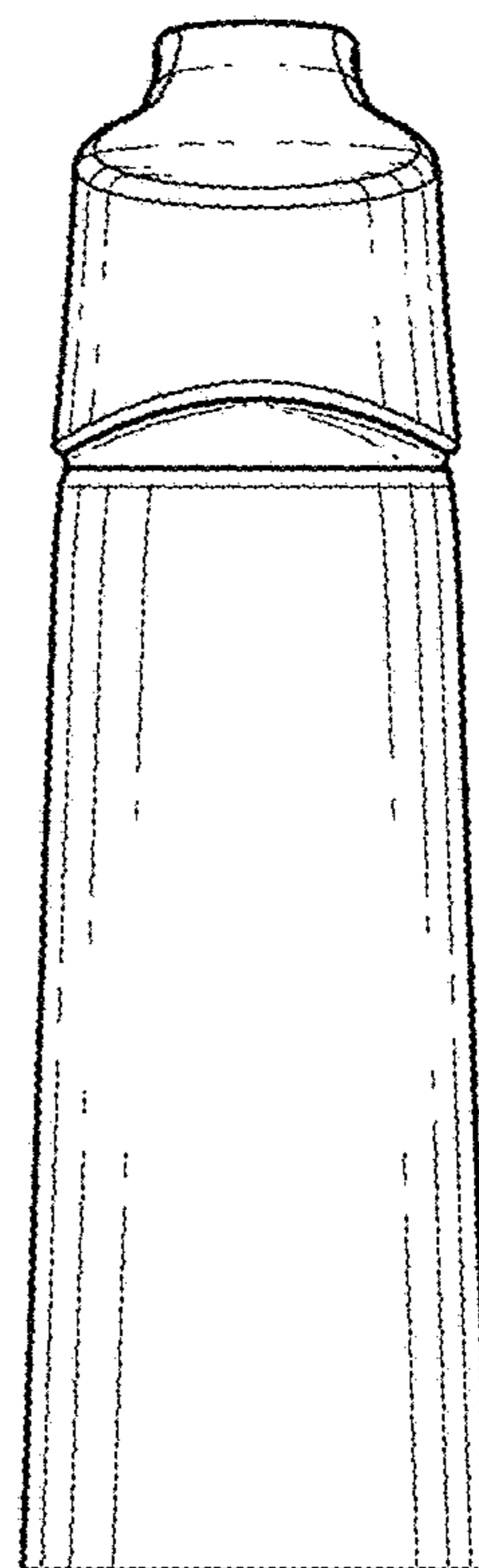


Fig-6