



US00D841128S

(12) **United States Design Patent** (10) **Patent No.:** **US D841,128 S**
Zhou (45) **Date of Patent:** **** Feb. 19, 2019**

(54) **SHOWER PANEL**
(71) Applicant: **Wei Zhou**, Guangdong (CN)
(72) Inventor: **Wei Zhou**, Guangdong (CN)
(73) Assignee: **Guangdong Yiduo Sanitary Technology Co., Ltd.**, Dongguan
(**) Term: **15 Years**
(21) Appl. No.: **29/640,219**
(22) Filed: **Mar. 13, 2018**
(51) **LOC (11) Cl.** **23-01**
(52) **U.S. Cl.**
USPC **D23/228**
(58) **Field of Classification Search**
USPC D23/213, 228, 304; 4/570, 612, 614
CPC A47K 7/00; A47K 3/281; A47K 3/283;
A47K 3/284; A47K 3/285; A47K 3/28;
A47K 2003/907; B05B 1/185
See application file for complete search history.

(56) **References Cited**
U.S. PATENT DOCUMENTS
D228,498 S * 10/1973 Ritzenthaler A47K 3/28
D23/228
5,678,258 A * 10/1997 Healy A47K 3/28
4/601

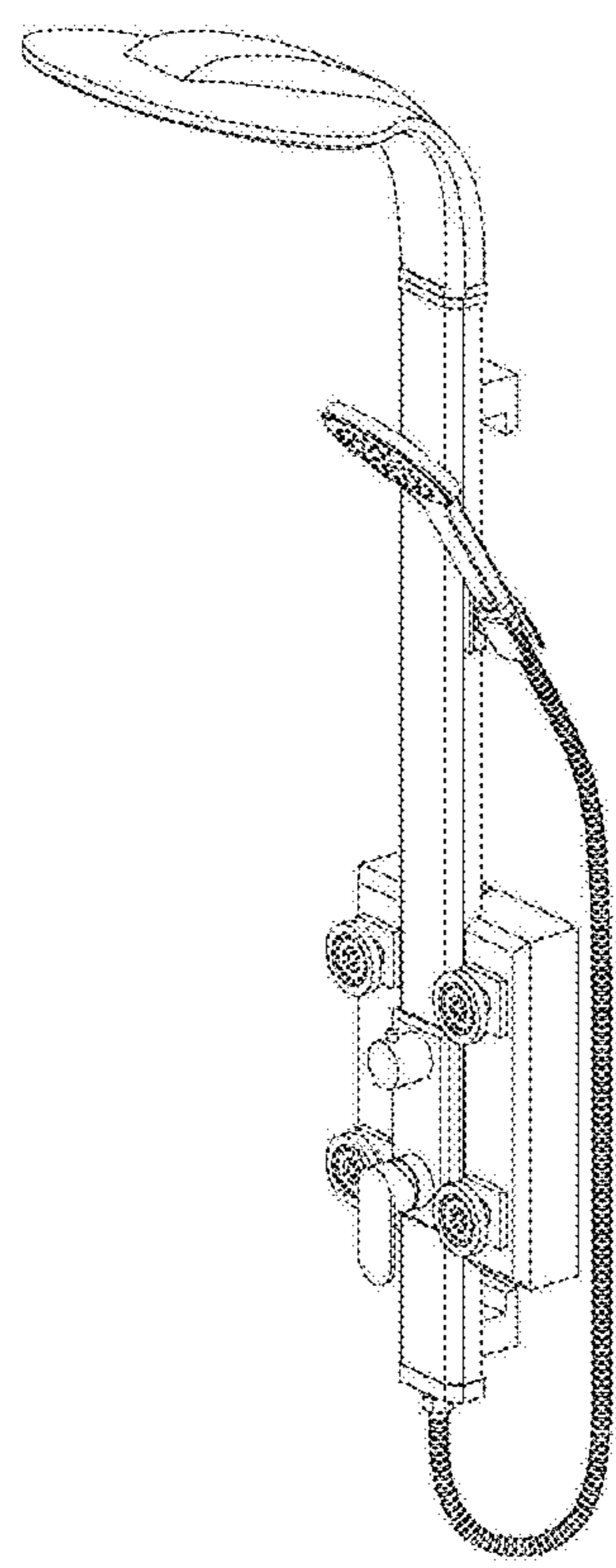
6,973,682 B2 * 12/2005 Zhadanov A47K 3/28
4/567
D541,394 S * 4/2007 Toyohara D23/304
D542,395 S * 5/2007 Bosio D23/304
D550,337 S * 9/2007 Stein D23/304
D561,313 S * 2/2008 Kolin D23/304
D575,846 S * 8/2008 Lobermeier D23/228
D592,294 S * 5/2009 Zetsche D23/304
D612,011 S * 3/2010 Cummings D23/228
D616,066 S * 5/2010 Cummings D23/228
D719,640 S * 12/2014 Yu D23/228
D768,821 S * 10/2016 Flowers D23/228
D787,018 S * 5/2017 Tseng D23/228
D787,635 S * 5/2017 Tseng D23/228

* cited by examiner
Primary Examiner — Robin V Webster

(57) **CLAIM**
The ornamental design for a shower panel, as shown and described.

DESCRIPTION
FIG. 1 is a perspective view of a shower panel showing my new design;
FIG. 2 is a front side view thereof;
FIG. 3 is a rear side view thereof;
FIG. 4 is a right side view thereof;
FIG. 5 is a left side view thereof;
FIG. 6 is a bottom plan view thereof; and,
FIG. 7 is a top plan view thereof.

1 Claim, 7 Drawing Sheets



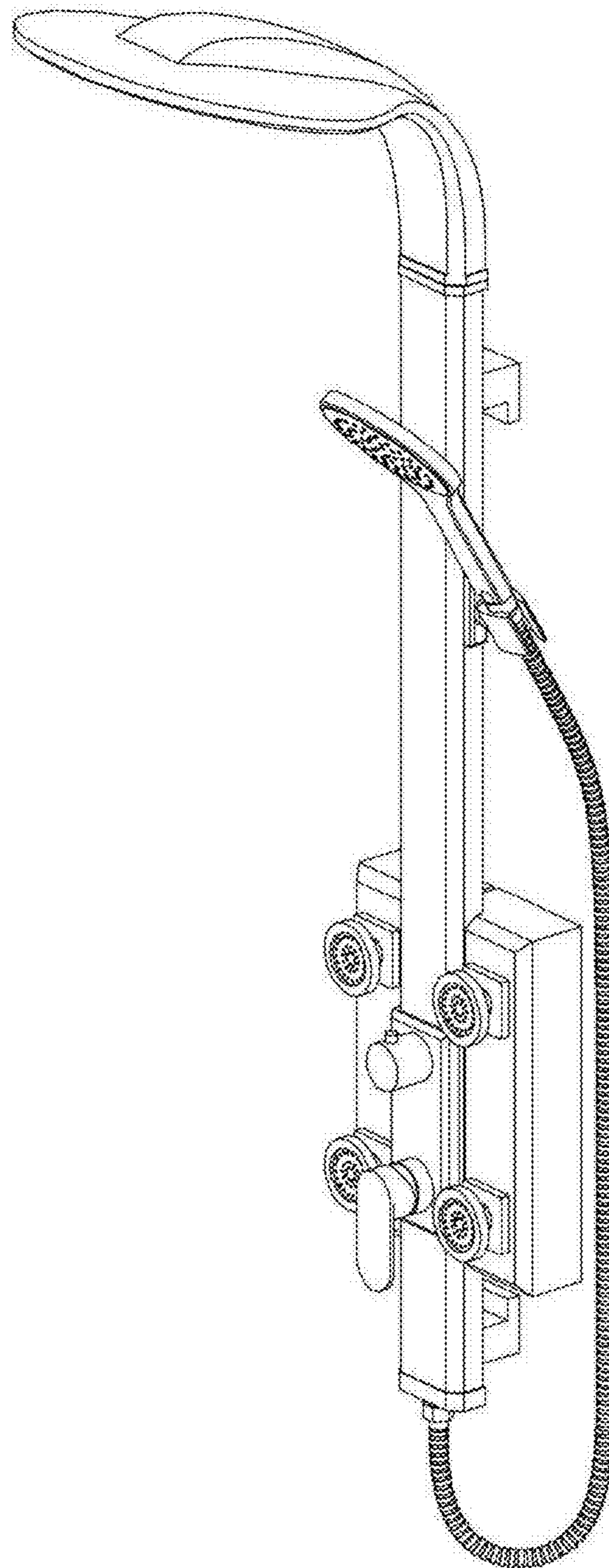


FIG. 1

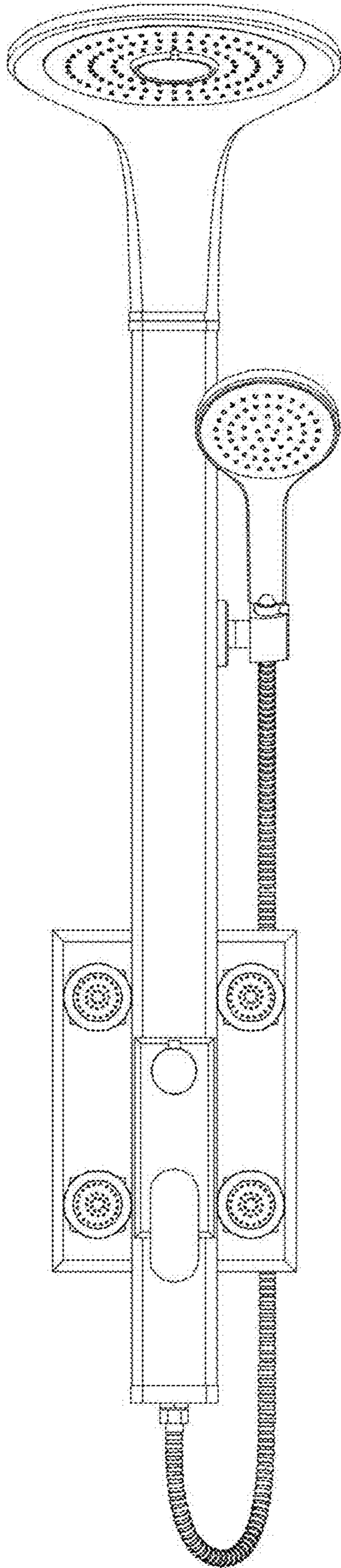


FIG. 2

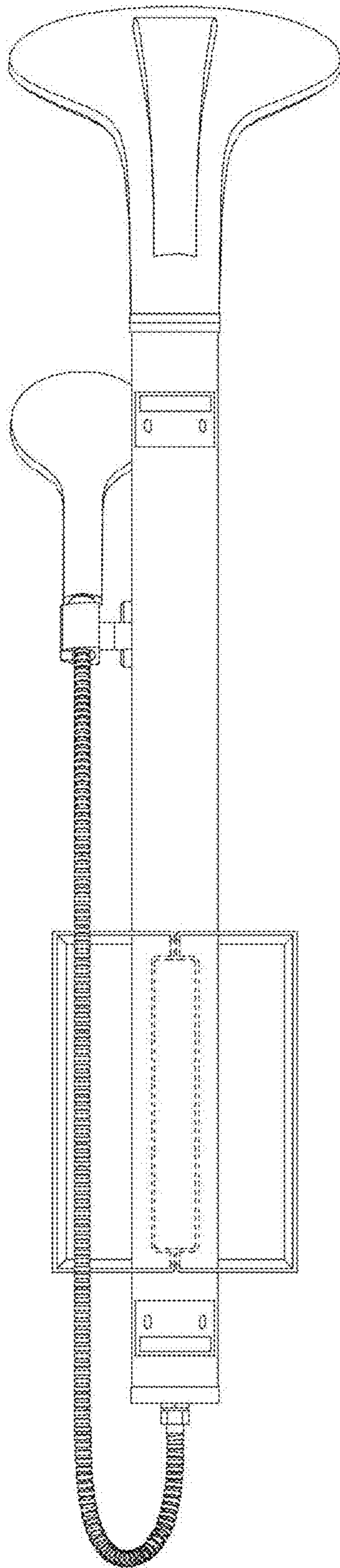


FIG. 3

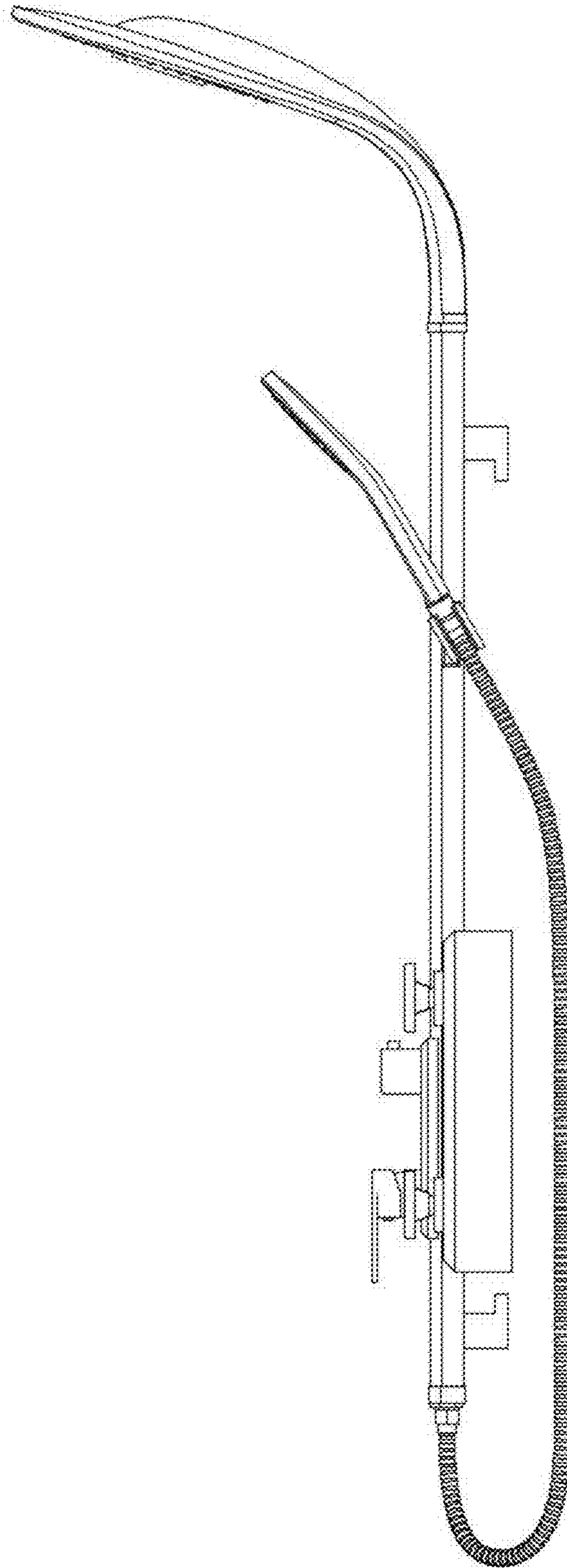


FIG. 4

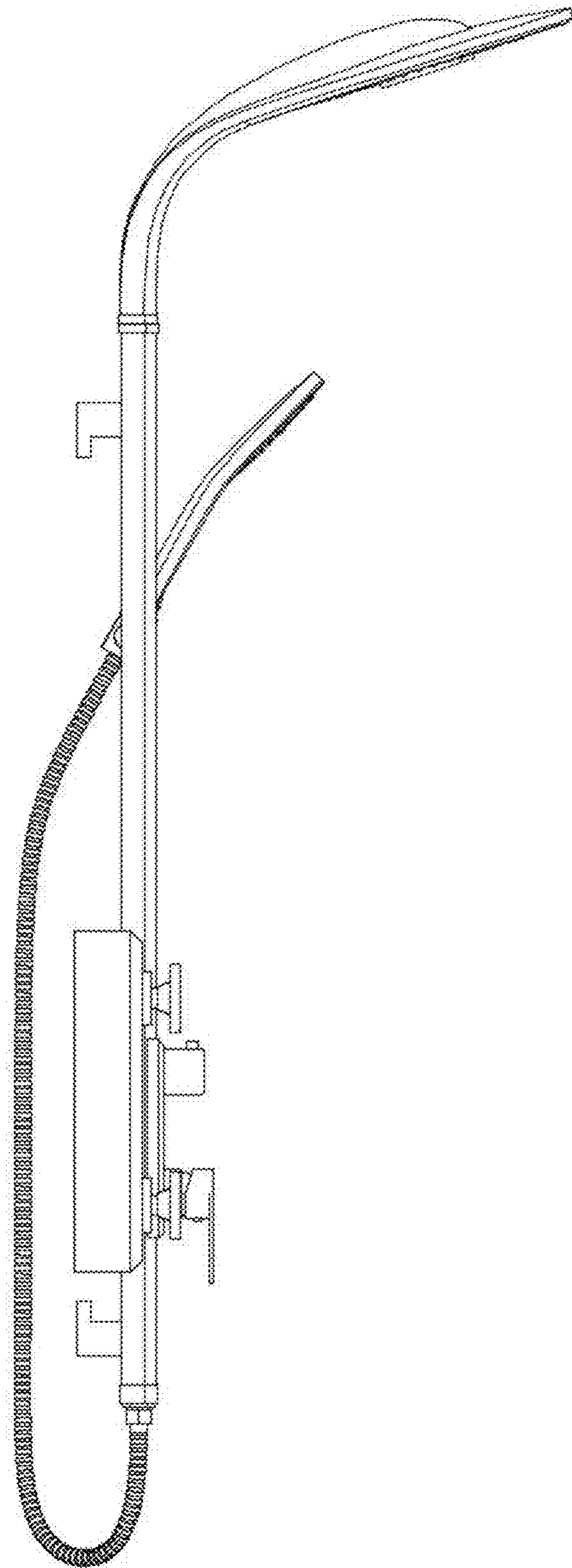


FIG. 5

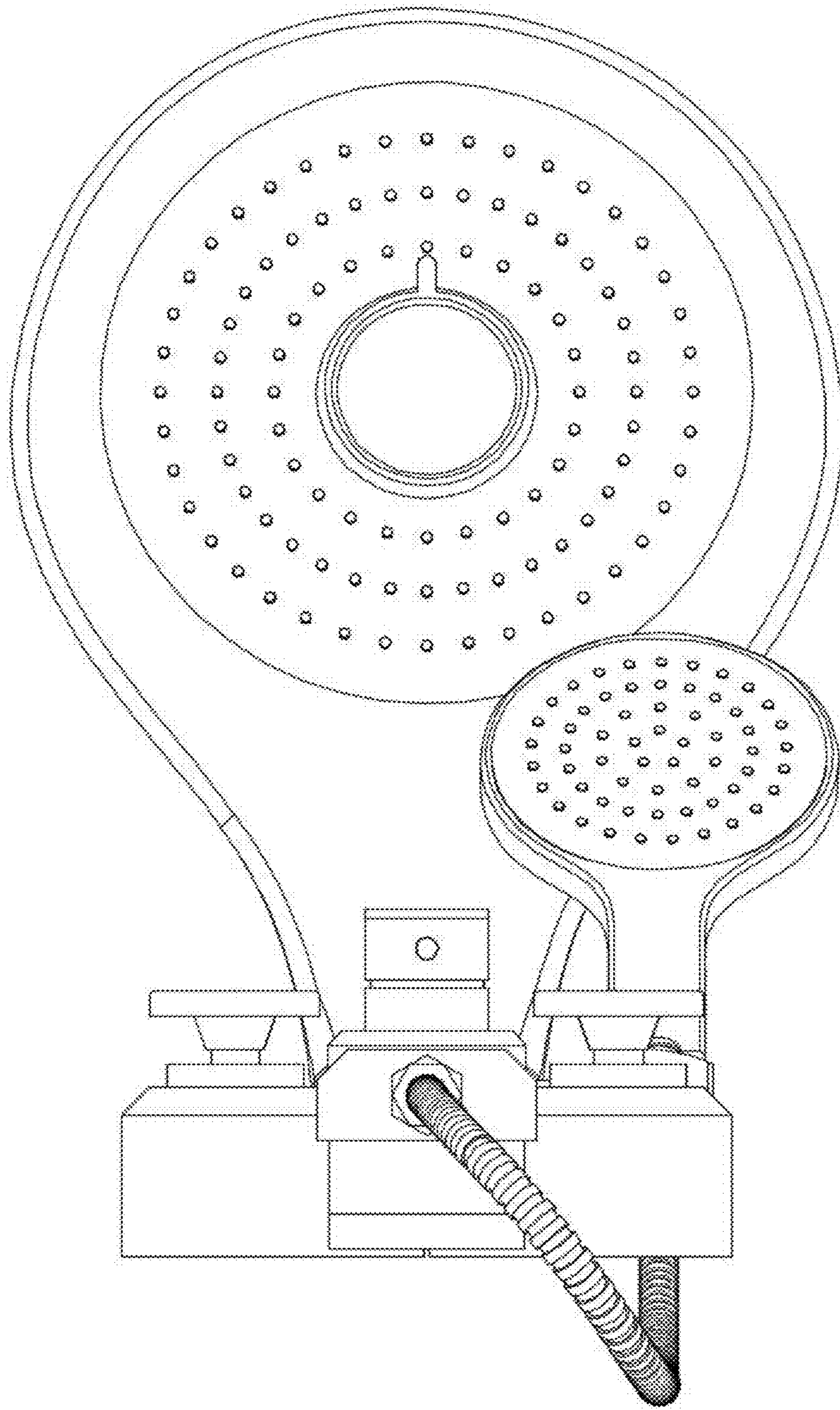


FIG. 6

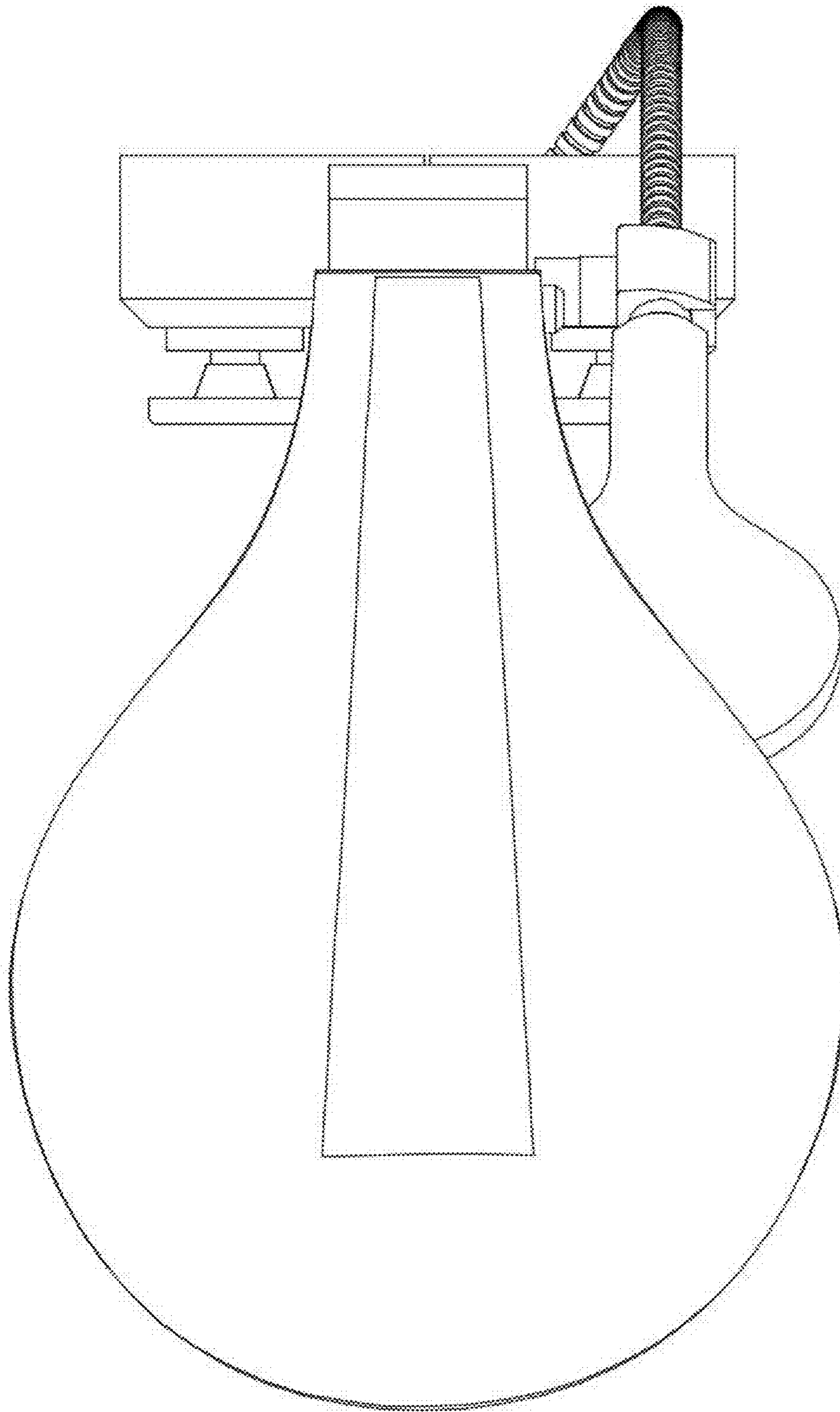


FIG. 7