



US00D841127S

(12) **United States Design Patent**  
**Butler**

(10) **Patent No.:** **US D841,127 S**

(45) **Date of Patent:** **\*\* Feb. 19, 2019**

(54) **BACKPACK WATER SPRAY TANK**

D720,429 S \* 12/2014 Tinius ..... B05B 9/0877  
D23/225

(71) Applicant: **The Fountainhead Group, Inc.**, New York Mills, NY (US)

D731,027 S \* 6/2015 Sanz Perez ..... A01C 23/008  
D23/225

(72) Inventor: **John Butler**, Newport, NY (US)

D749,698 S \* 2/2016 Pereira Dos Reis .....  
A01M 7/0046

(73) Assignee: **The Fountainhead Group, Inc.**, New York Mills, NY (US)

D759,786 S \* 6/2016 Laber ..... A01M 7/0046  
D15/13

(\*\*) Term: **15 Years**

\* cited by examiner

(21) Appl. No.: **29/610,388**

*Primary Examiner* — Robin V Webster

(22) Filed: **Jul. 12, 2017**

(74) *Attorney, Agent, or Firm* — Bond Schoeneck & King, PLLC; George R. McGuire

(51) **LOC (11) Cl.** ..... **23-01**

(57) **CLAIM**

(52) **U.S. Cl.**  
USPC ..... **D23/225**

The ornamental design for a backpack water spray tank, as shown and described.

(58) **Field of Classification Search**  
USPC ..... D23/213, 225; 239/152–154, 337, 373  
CPC ..... B05B 9/08; B05B 9/0816  
See application file for complete search history.

**DESCRIPTION**

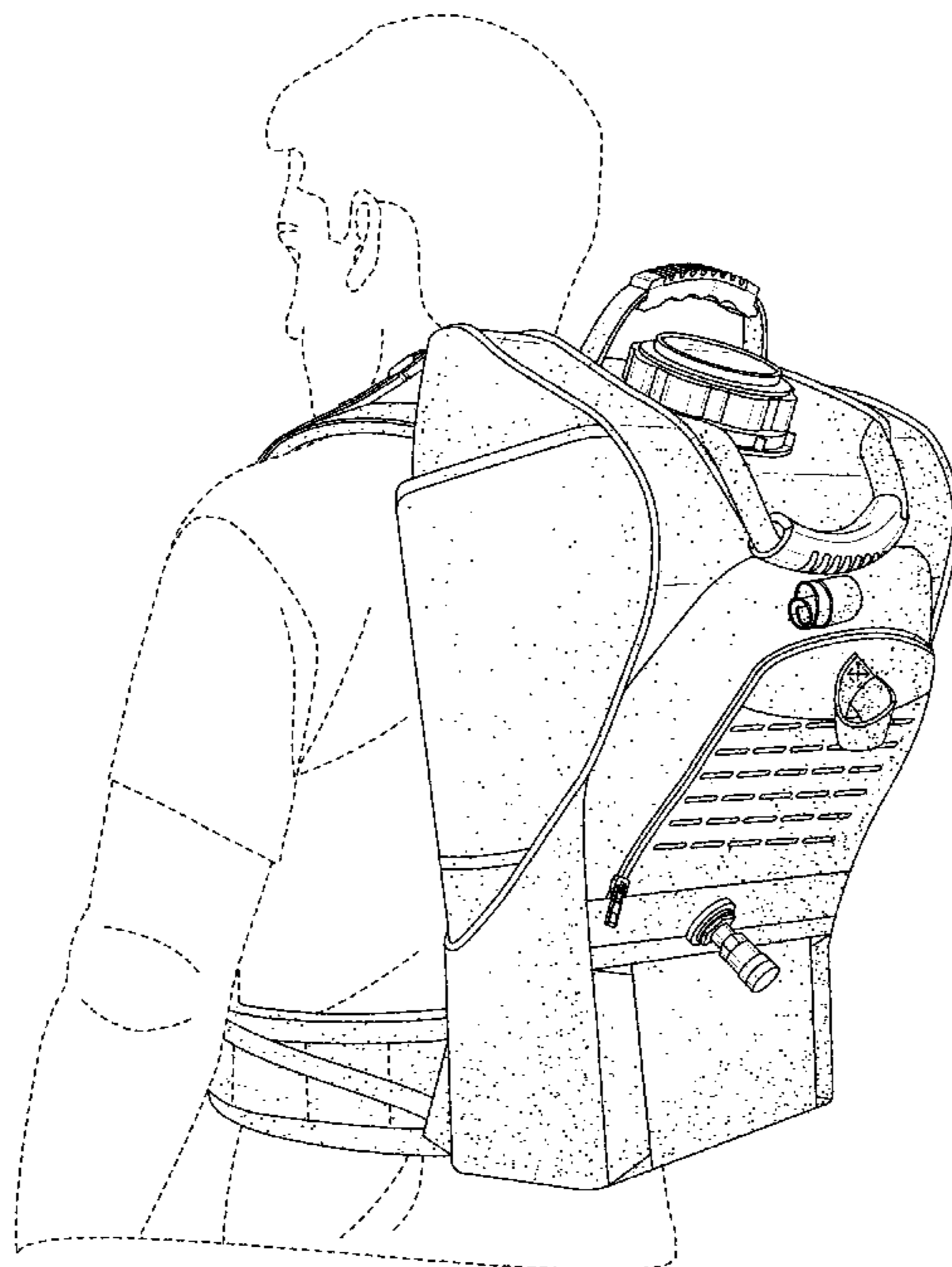
(56) **References Cited**

U.S. PATENT DOCUMENTS

- 2,162,057 A \* 6/1939 Brandt ..... B05B 9/0877  
239/154
- 5,150,837 A \* 9/1992 Ferrari ..... A01M 7/0046  
222/175
- 7,175,104 B2 \* 2/2007 Allen, IV ..... A01M 7/0046  
239/146
- 7,854,396 B2 \* 12/2010 Wu ..... A01C 23/008  
239/152
- 8,616,466 B2 \* 12/2013 Strauss ..... A01M 7/0046  
222/175
- D720,039 S \* 12/2014 Tinius ..... A01M 7/0046  
D23/225

FIG. 1 is a perspective view of a new and ornamental design for a backpack water spray tank;  
 FIG. 2 is a front elevation view thereof;  
 FIG. 3 is a rear elevation view thereof;  
 FIG. 4 is a first side elevation view thereof;  
 FIG. 5 is a second side elevation view thereof;  
 FIG. 6 is top plan view thereof;  
 FIG. 7 is a bottom plan view thereof; and,  
 FIG. 8 is a perspective view of a person wearing the backpack water spray tank with the person shown in phantom lines for environmental purposes only and forming no part of the claimed invention.  
 The broken lines shown on portions of the backpack water spray tank represent stitching.

**1 Claim, 8 Drawing Sheets**



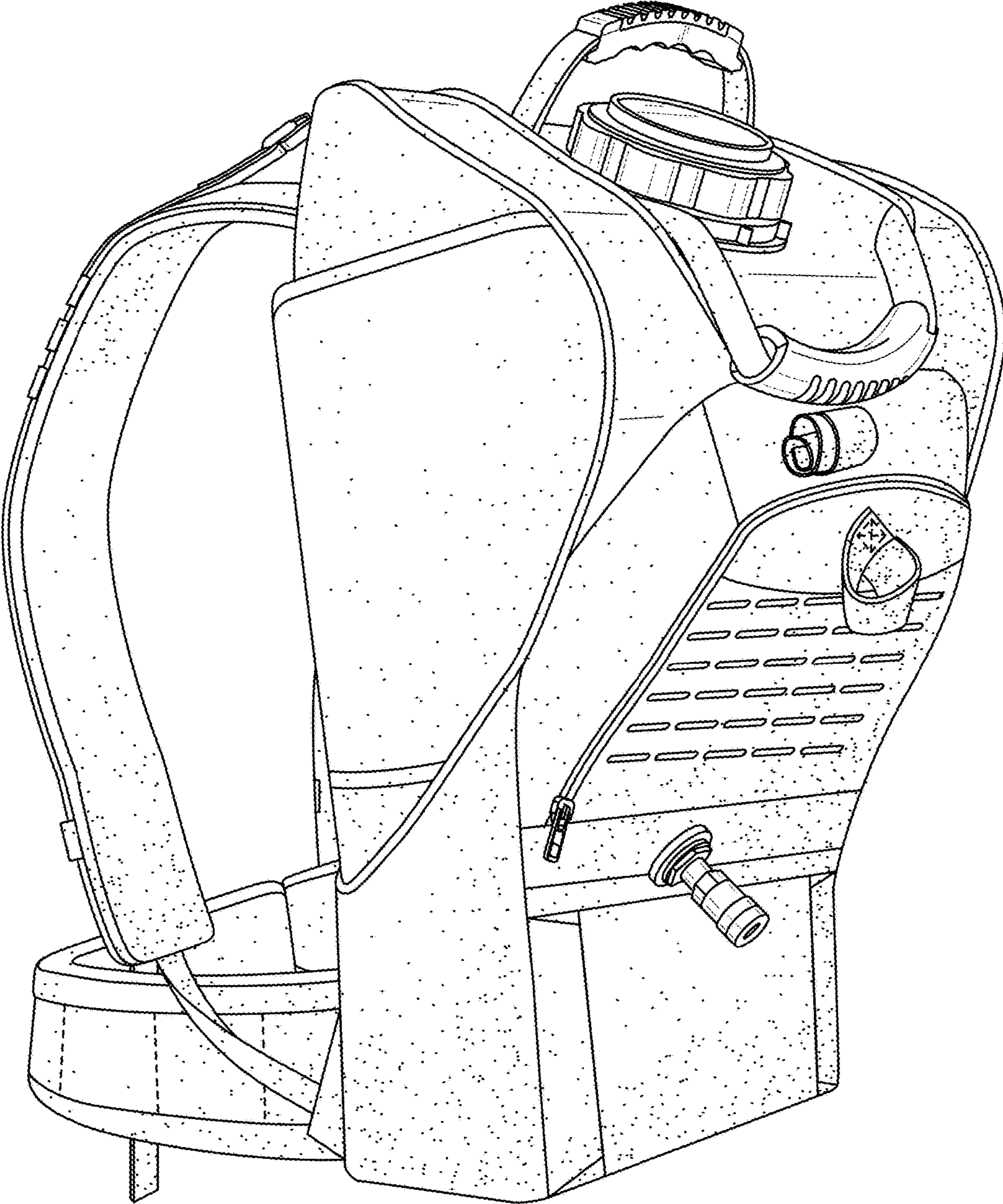


FIG. 1



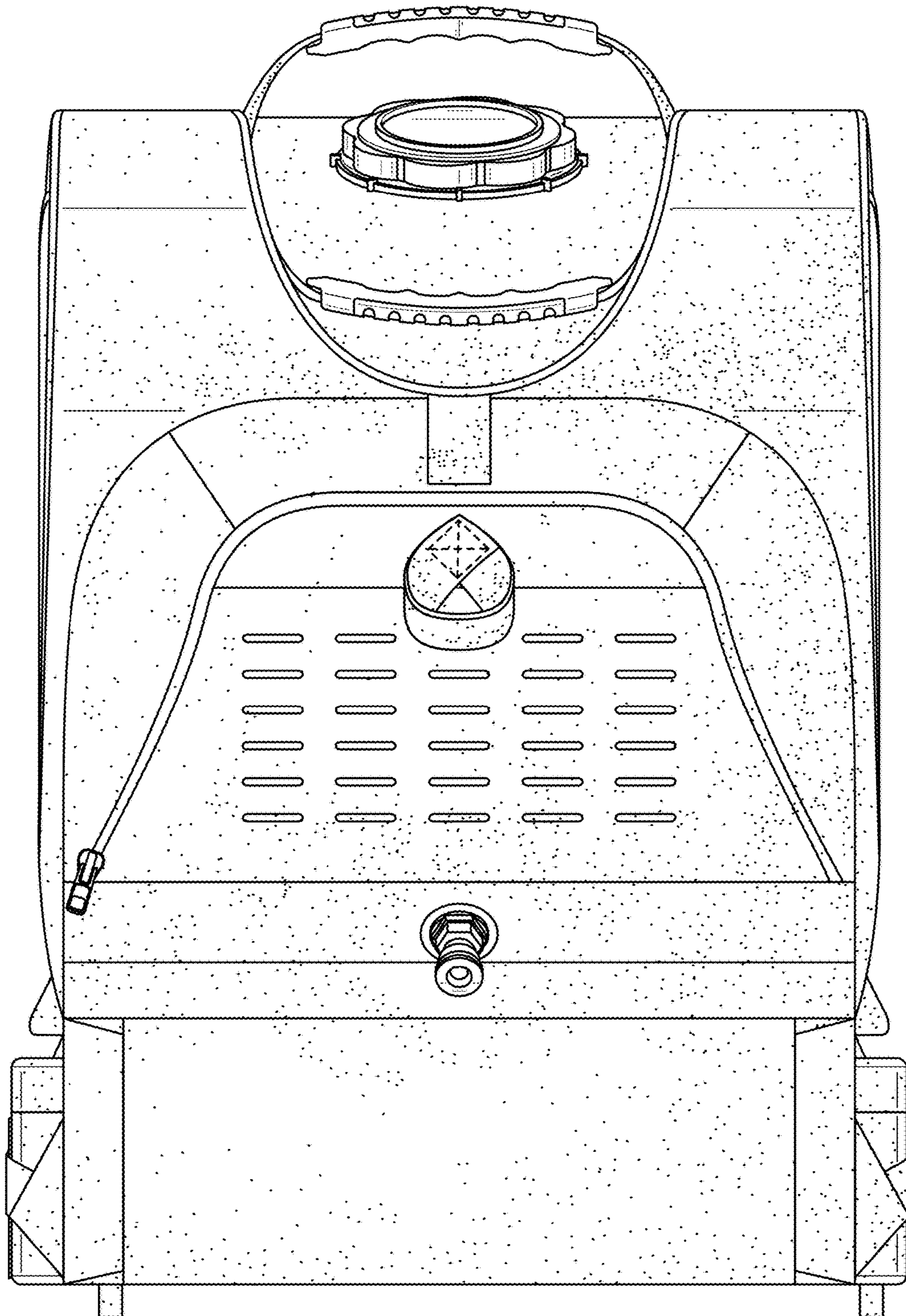


FIG. 2

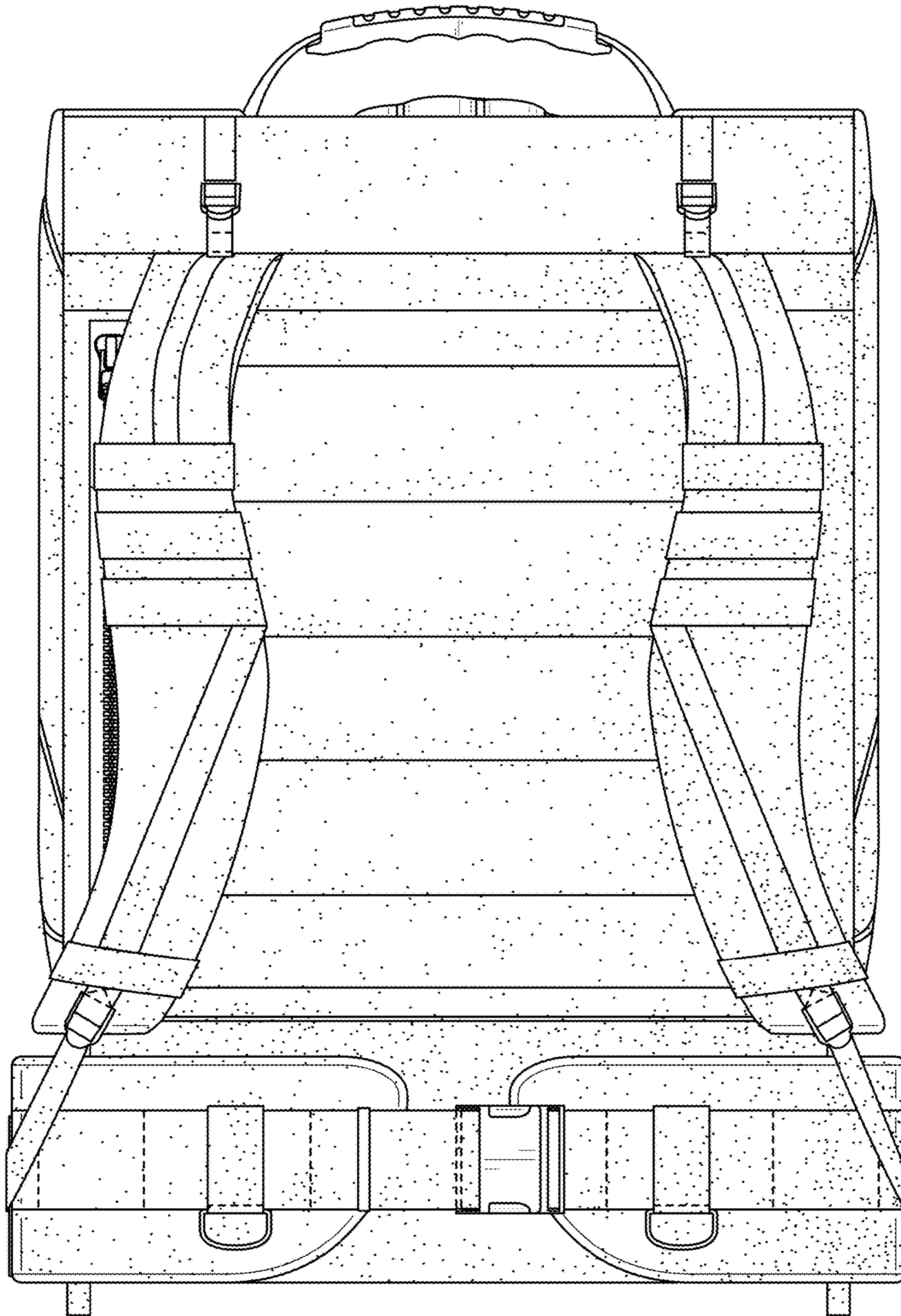


FIG. 3

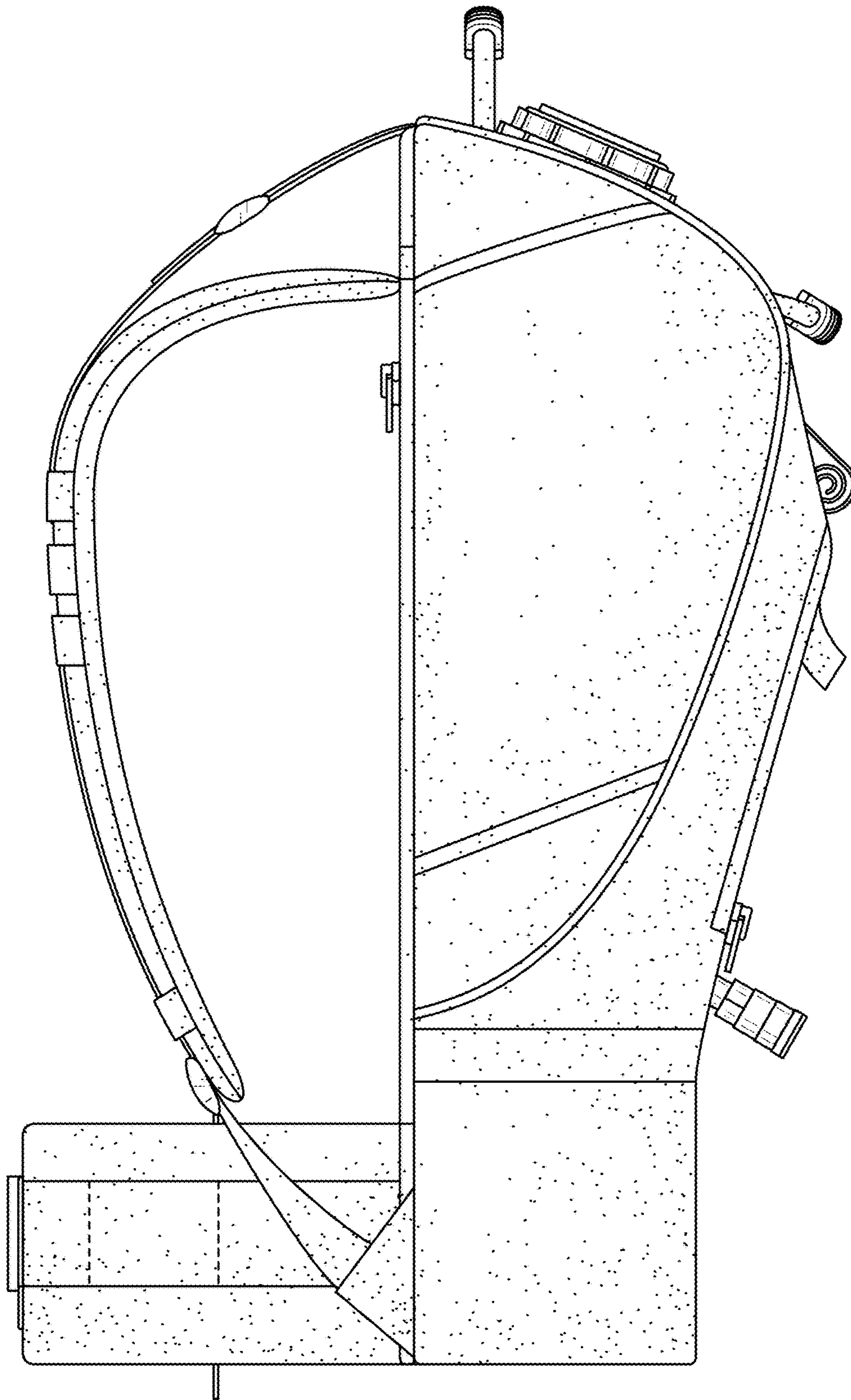


FIG. 4



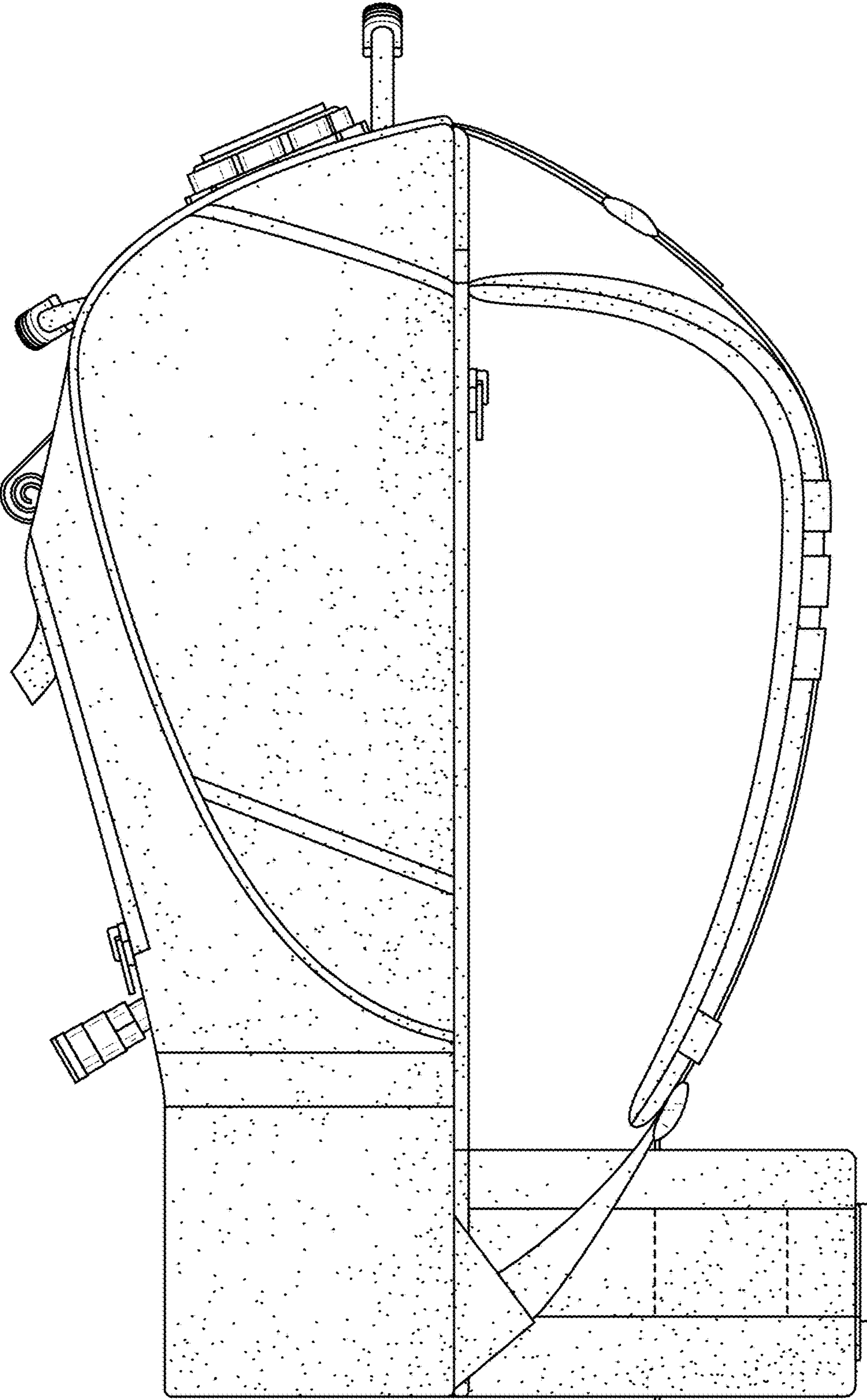


FIG. 5

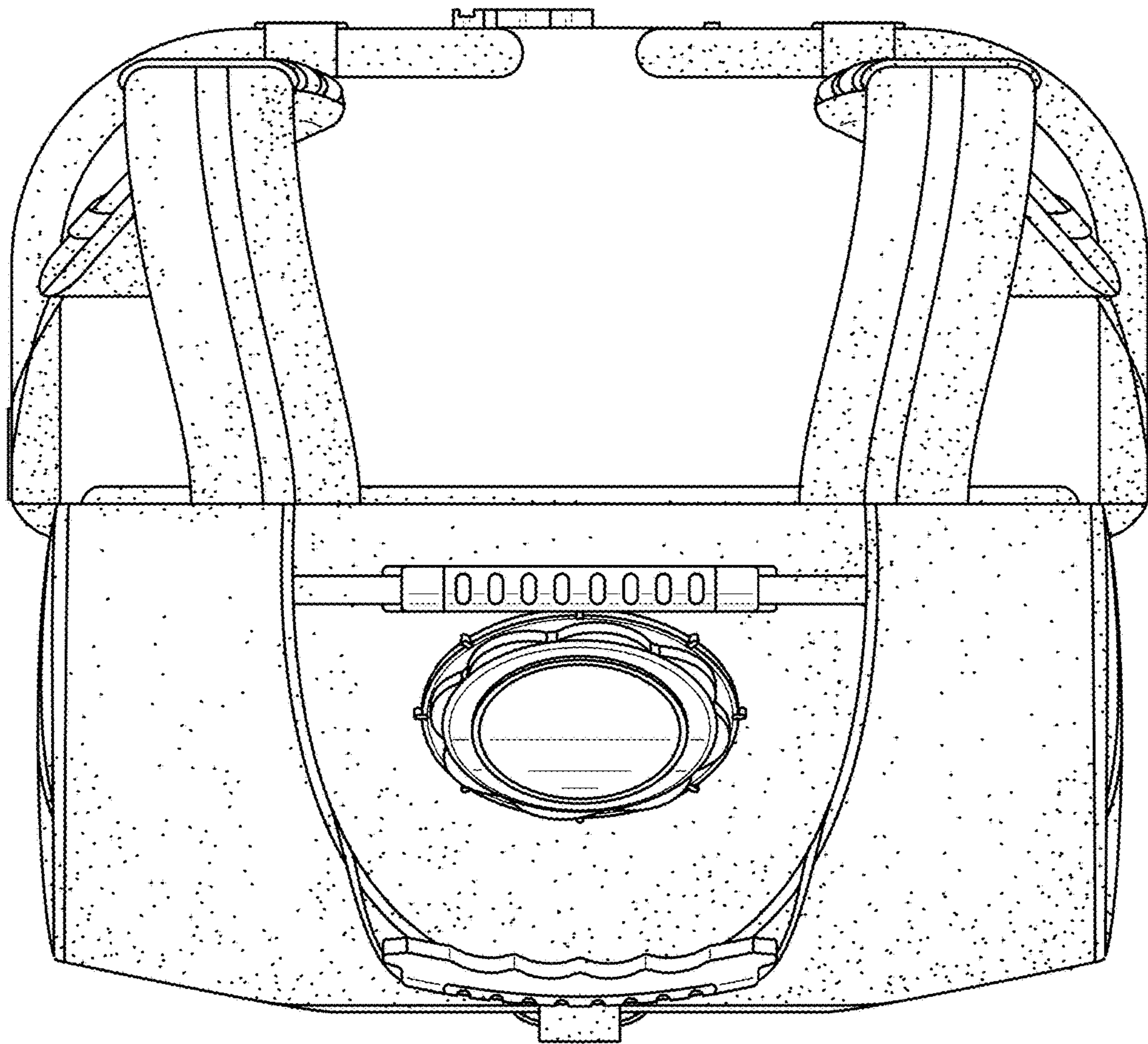


FIG. 6

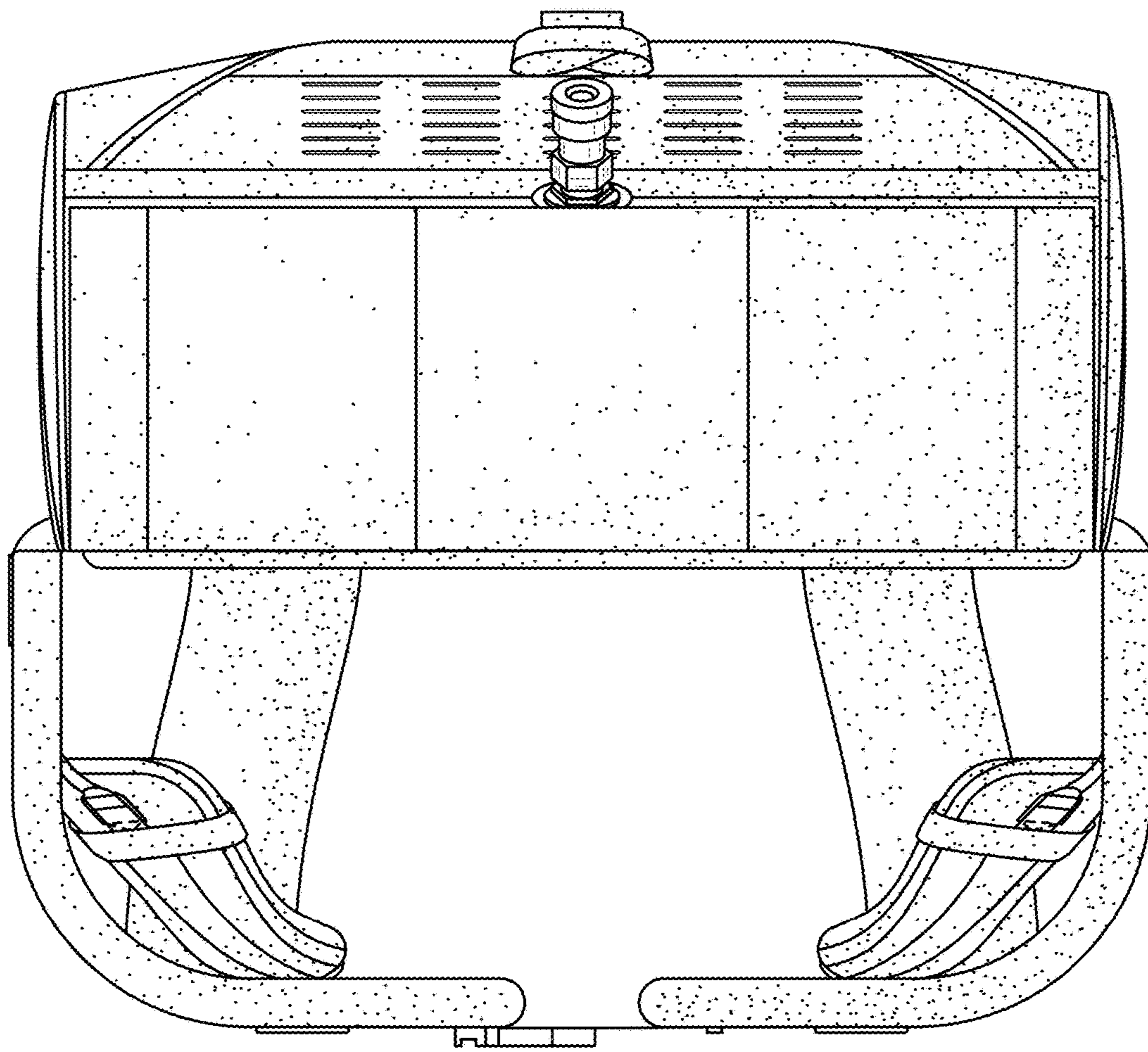


FIG. 7



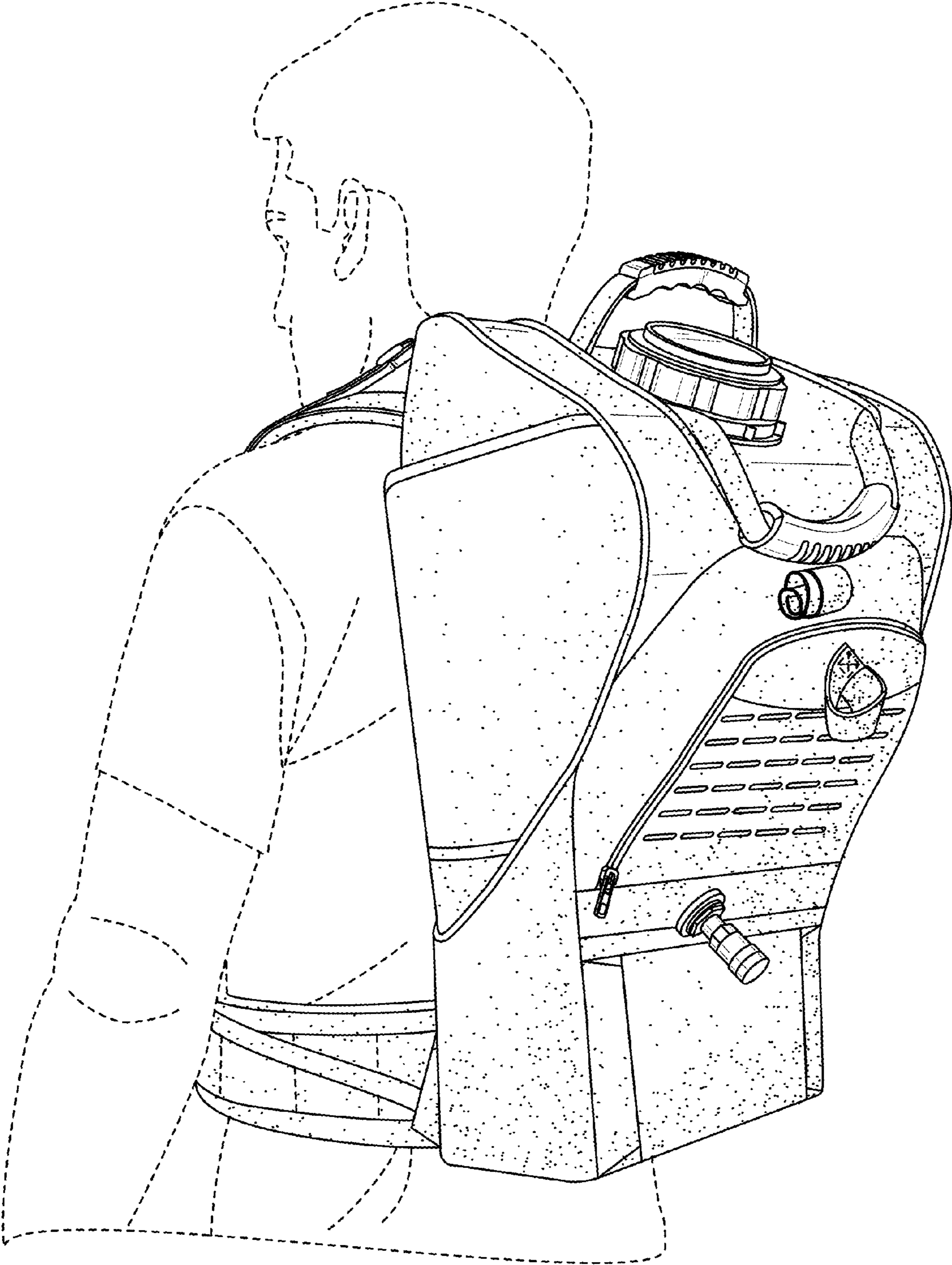


FIG. 8