



US00D841126S

(12) **United States Design Patent** (10) **Patent No.:** **US D841,126 S**  
**Lai et al.** (45) **Date of Patent:** **\*\* Feb. 19, 2019**

(54) **HAND SHOWER**  
(71) Applicant: **KYLIN SANITARY TECHNOLOGY (XIAMEN) CO., LTD.**, Xiamen, Fujian Province (CN)  
(72) Inventors: **Cun Gui Lai**, Xiamen (CN); **Shu Qiang Liang**, Xiamen (CN); **Xi Jie Deng**, Xiamen (CN); **Qing Shuang Li**, Xiamen (CN)  
(73) Assignee: **KYLIN SANITARY TECHNOLOGY (XIAMEN) CO., LTD.**, Xiamen, Fujian Province (CN)

(\*\*) Term: **15 Years**

(21) Appl. No.: **29/630,564**

(22) Filed: **Dec. 21, 2017**

(51) **LOC (11) Cl.** ..... **23-01**

(52) **U.S. Cl.**  
USPC ..... **D23/223**

(58) **Field of Classification Search**  
USPC ..... D23/213, 223, 226, 229, 230  
CPC ..... A61H 9/0021; A61H 33/00; B05B 1/00; B05B 1/14; B05B 1/185; B05B 1/08; B05B 1/02; B05B 1/26; B05B 12/002; B05B 1/18  
See application file for complete search history.

(56) **References Cited**

**U.S. PATENT DOCUMENTS**

D534,239 S \* 12/2006 Dinger ..... D23/223  
D550,811 S \* 9/2007 Lammel ..... D23/223  
D578,606 S \* 10/2008 Wu ..... D23/223  
D610,228 S \* 2/2010 Wu ..... D23/223  
7,918,408 B2 \* 4/2011 Tshieh ..... B05B 1/02  
239/444

D654,983 S \* 2/2012 Schoenherr ..... D23/223  
D659,794 S \* 5/2012 Flowers ..... D23/223  
D667,531 S \* 9/2012 Romero ..... D23/223  
D672,011 S \* 12/2012 Andrew ..... D23/223  
D688,775 S \* 8/2013 Bossini ..... D23/223  
D697,177 S \* 1/2014 Schoenherr ..... D23/223  
D707,331 S \* 6/2014 Schoenherr ..... D23/223  
D714,421 S \* 9/2014 Flowers ..... D23/223  
9,278,364 B2 \* 3/2016 Zhou ..... B05B 1/1636  
D755,346 S \* 5/2016 Yan ..... D23/223  
D779,038 S \* 2/2017 Hanna ..... B05B 1/02  
D23/223  
D811,524 S \* 2/2018 Bossini ..... B05B 1/1636  
D23/223  
9,943,869 B2 \* 4/2018 Huang ..... F23Q 3/008

\* cited by examiner

*Primary Examiner* — Robin V Webster

(74) *Attorney, Agent, or Firm* — Muncy, Geissler, Olds & Lowe, P.C.

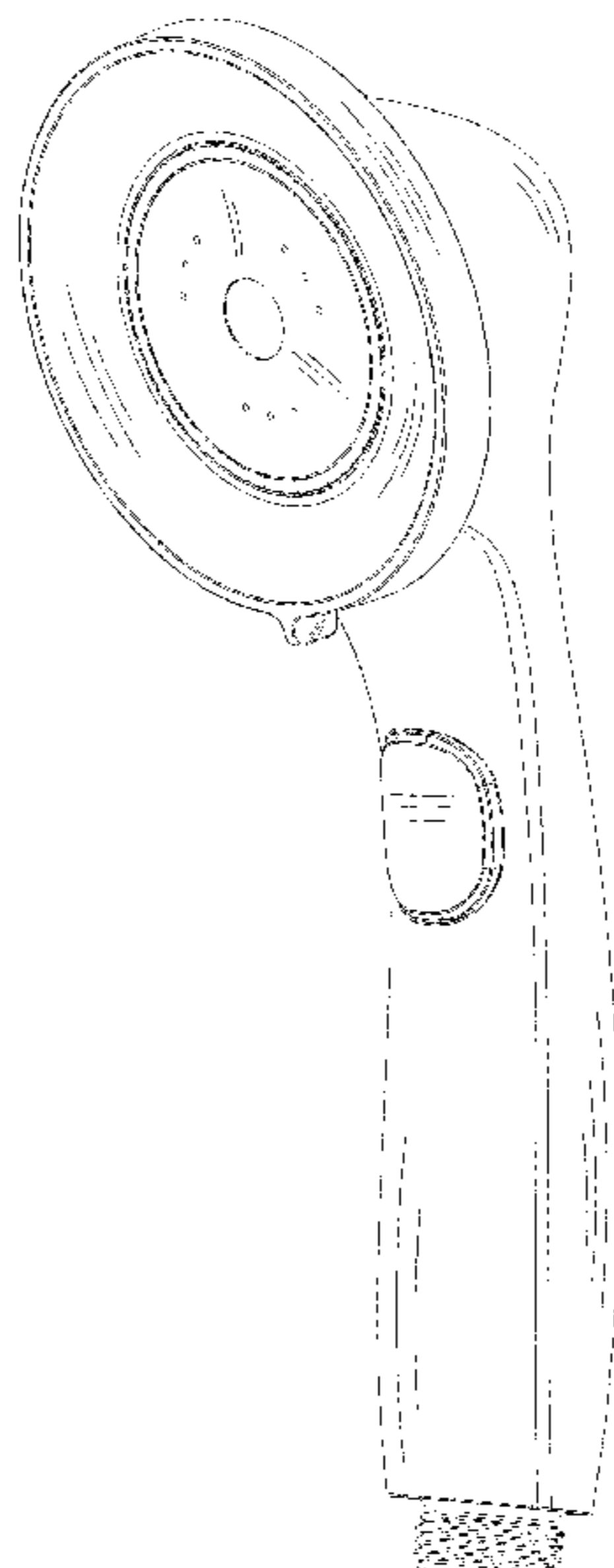
(57) **CLAIM**

The ornamental design for a hand shower, as shown and described.

**DESCRIPTION**

FIG. 1 is a front perspective view of a hand shower showing our new design;  
FIG. 2 is a rear perspective view thereof;  
FIG. 3 is a front elevational view thereof;  
FIG. 4 is a rear elevational view thereof;  
FIG. 5 is a left side elevational view thereof;  
FIG. 6 is a right side elevational view thereof;  
FIG. 7 is a top plan view thereof; and,  
FIG. 8 is a bottom plan view thereof.  
The broken lines illustrate portions of the hand shower which form no part of the claimed design.

**1 Claim, 8 Drawing Sheets**



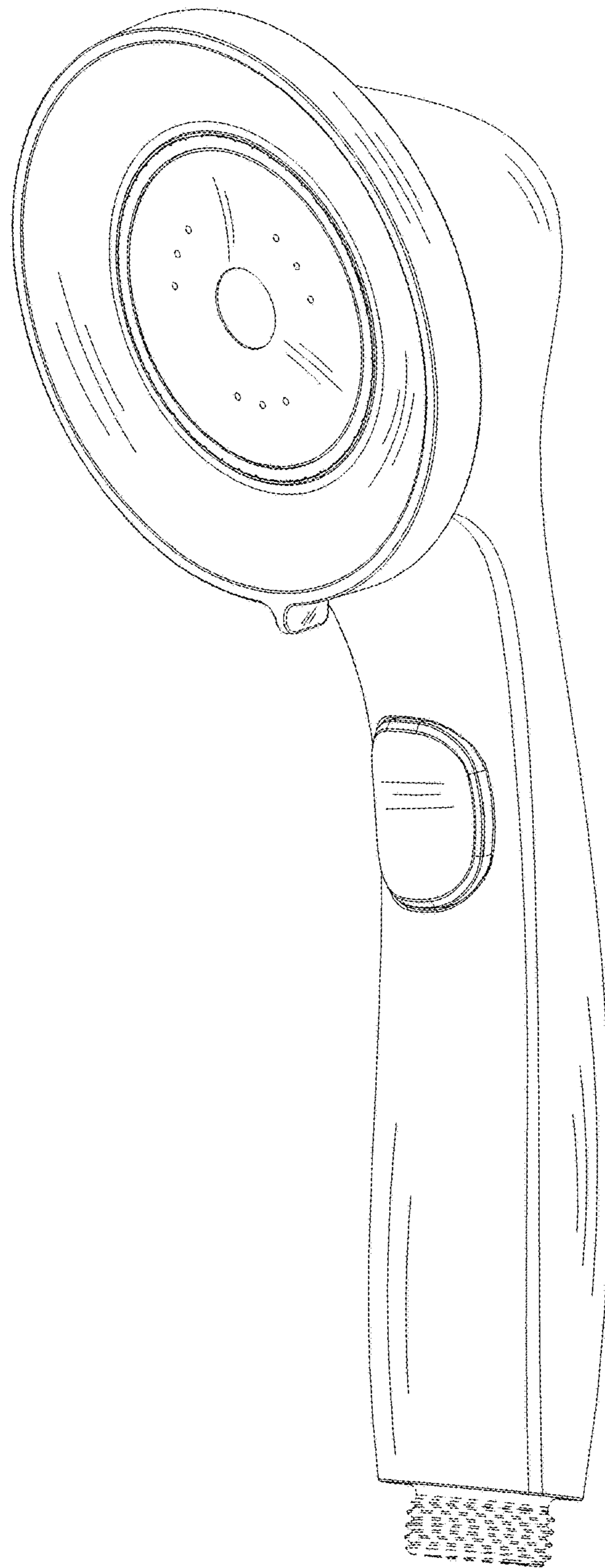


FIG. 1



FIG. 2

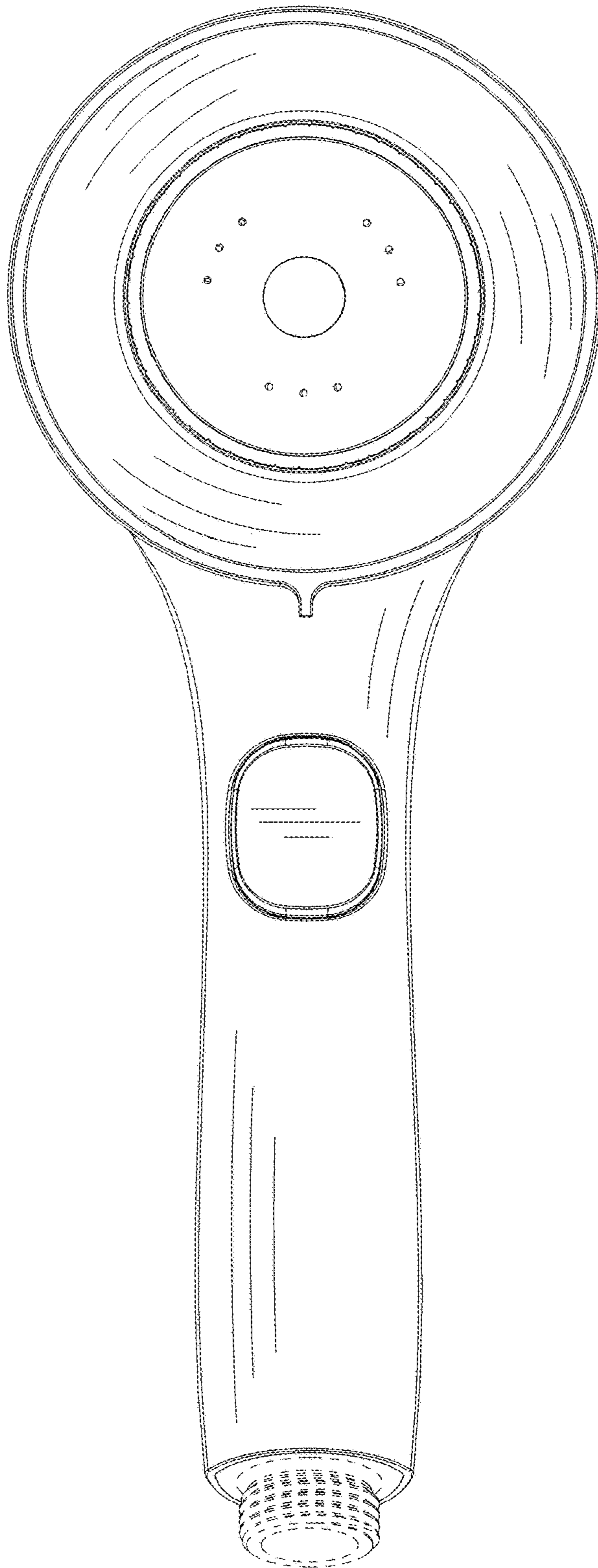


FIG. 3

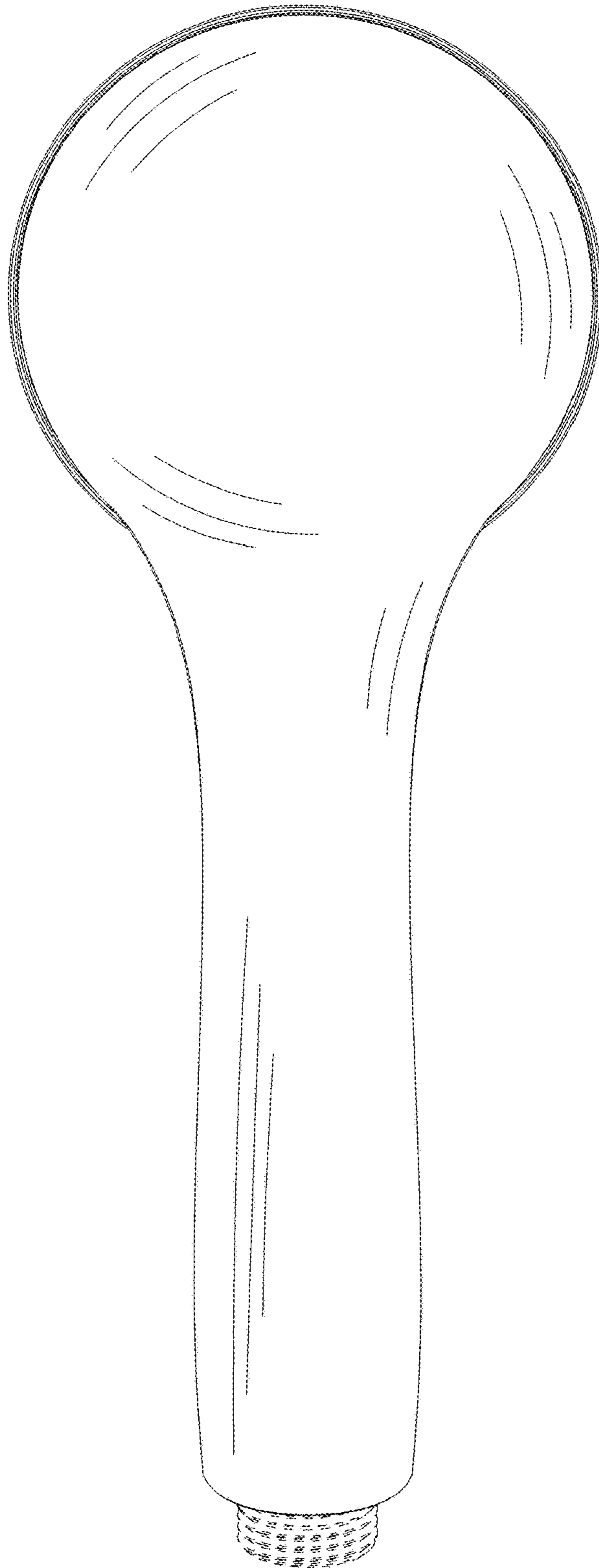


FIG. 4



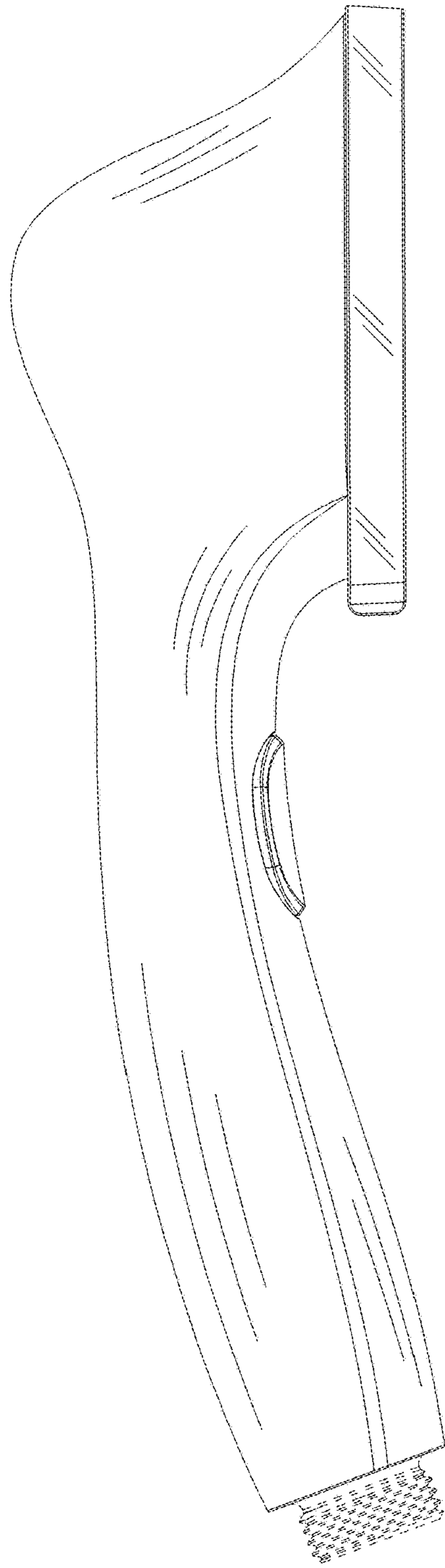


FIG. 5

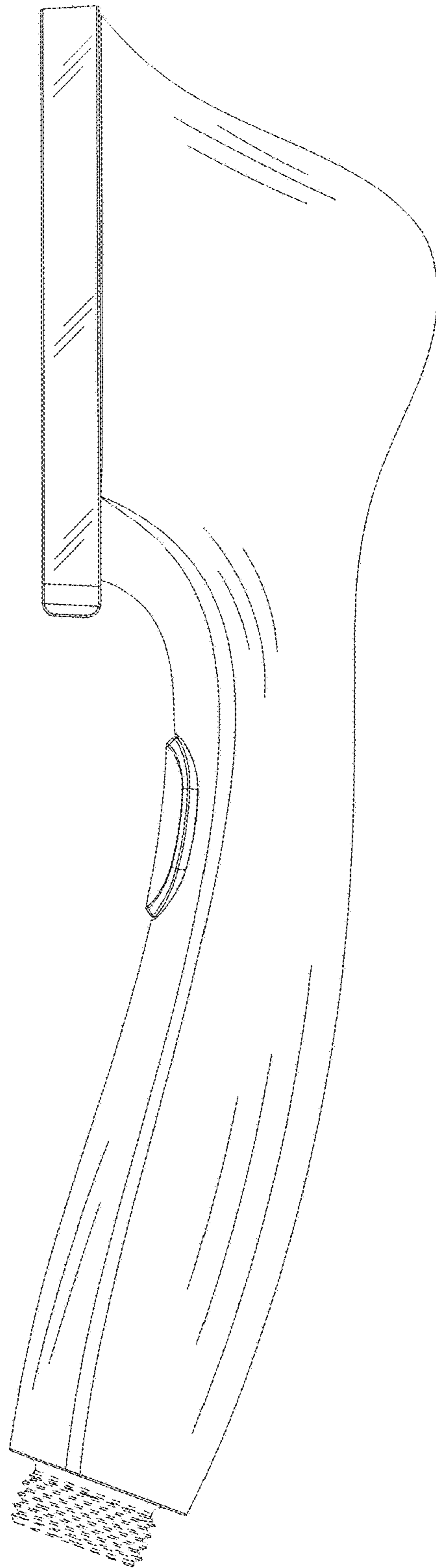


FIG. 6

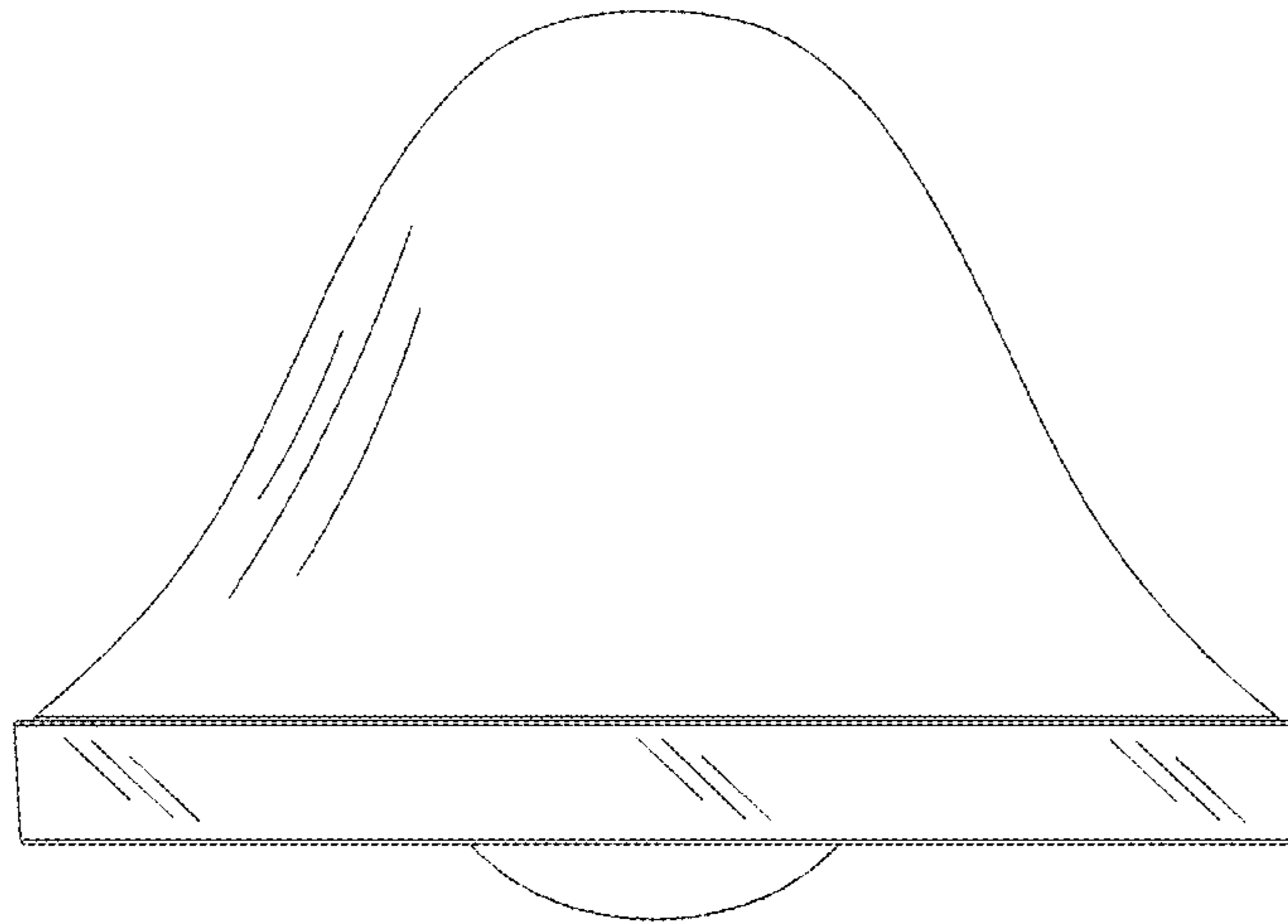


FIG. 7



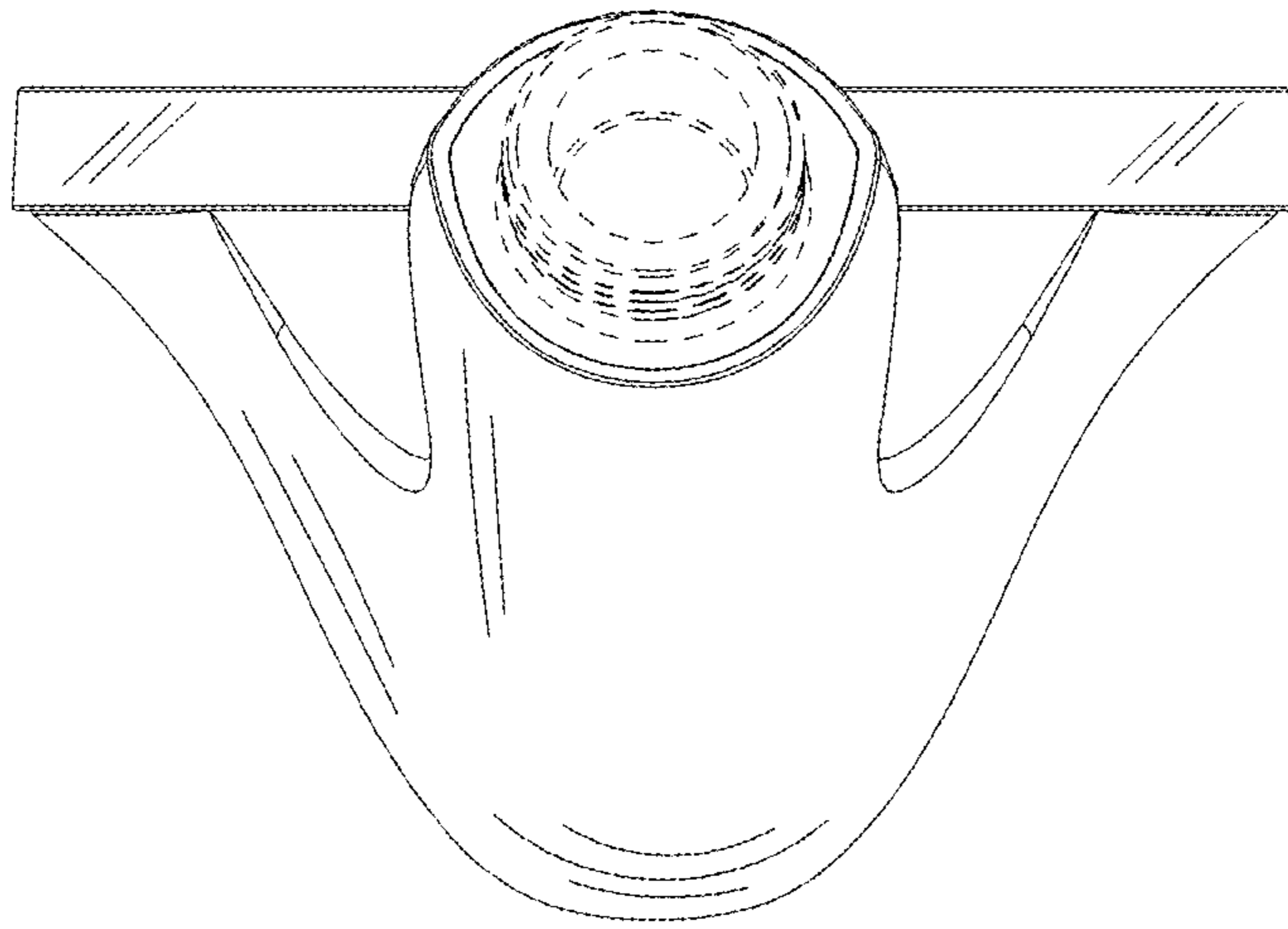


FIG. 8