



US00D841125S

(12) **United States Design Patent**
Lai et al.

(10) **Patent No.:** **US D841,125 S**
(45) **Date of Patent:** **** Feb. 19, 2019**

- (54) **HAND SHOWER**
- (71) Applicant: **KYLIN SANITARY TECHNOLOGY (XIAMEN) CO., LTD.**, Xiamen, Fujian Province (CN)
- (72) Inventors: **Cun Gui Lai**, Xiamen (CN); **Shu Qiang Liang**, Xiamen (CN); **Xi Jie Deng**, Xiamen (CN); **Qing Shuang Li**, Xiamen (CN)
- (73) Assignee: **KYLIN SANITARY TECHNOLOGY (XIAMEN) CO., LTD.**, Xiamen, Fujian Province (CN)

- D654,983 S * 2/2012 Schoenherr D23/223
- D659,794 S * 5/2012 Flowers D23/223
- D667,531 S * 9/2012 Romero D23/223
- D672,011 S * 12/2012 Andrew D23/223
- D688,775 S * 8/2013 Bossini D23/223
- D697,177 S * 1/2014 Schoenherr D23/223
- D707,331 S * 6/2014 Schoenherr D23/223
- D714,421 S * 9/2014 Flowers D23/223
- 9,278,364 B2 * 3/2016 Zhou B05B 1/1636
- D755,346 S * 5/2016 Yan D23/223
- D779,038 S * 2/2017 Hanna B05B 1/02
D23/223
- D811,524 S * 2/2018 Bossini B05B 1/1636
D23/223
- 9,943,869 B2 * 4/2018 Huang F23Q 3/008

* cited by examiner

(**) Term: **15 Years**

Primary Examiner — Robin V Webster

(21) Appl. No.: **29/630,554**

(74) *Attorney, Agent, or Firm* — Muncy, Geissler, Olds & Lowe, P.C.

(22) Filed: **Dec. 21, 2017**

(51) **LOC (11) Cl.** **23-01**

(57) **CLAIM**

(52) **U.S. Cl.**
USPC **D23/223**

The ornamental design for a hand shower, as shown and described.

(58) **Field of Classification Search**
USPC D23/213, 223, 226, 229, 230
CPC A61H 9/0021; A61H 33/00; B05B 1/00;
B05B 1/14; B05B 1/185; B05B 1/08;
B05B 1/02; B05B 1/26; B05B 12/002;
B05B 1/18

DESCRIPTION

See application file for complete search history.

FIG. 1 is a front perspective view of a hand shower showing our new design;
FIG. 2 is a rear perspective view thereof;
FIG. 3 is a front elevational view thereof;
FIG. 4 is a rear elevational view thereof;
FIG. 5 is a left side elevational view thereof;
FIG. 6 is a right side elevational view thereof;
FIG. 7 is a top plan view thereof; and,
FIG. 8 is a bottom plan view thereof.

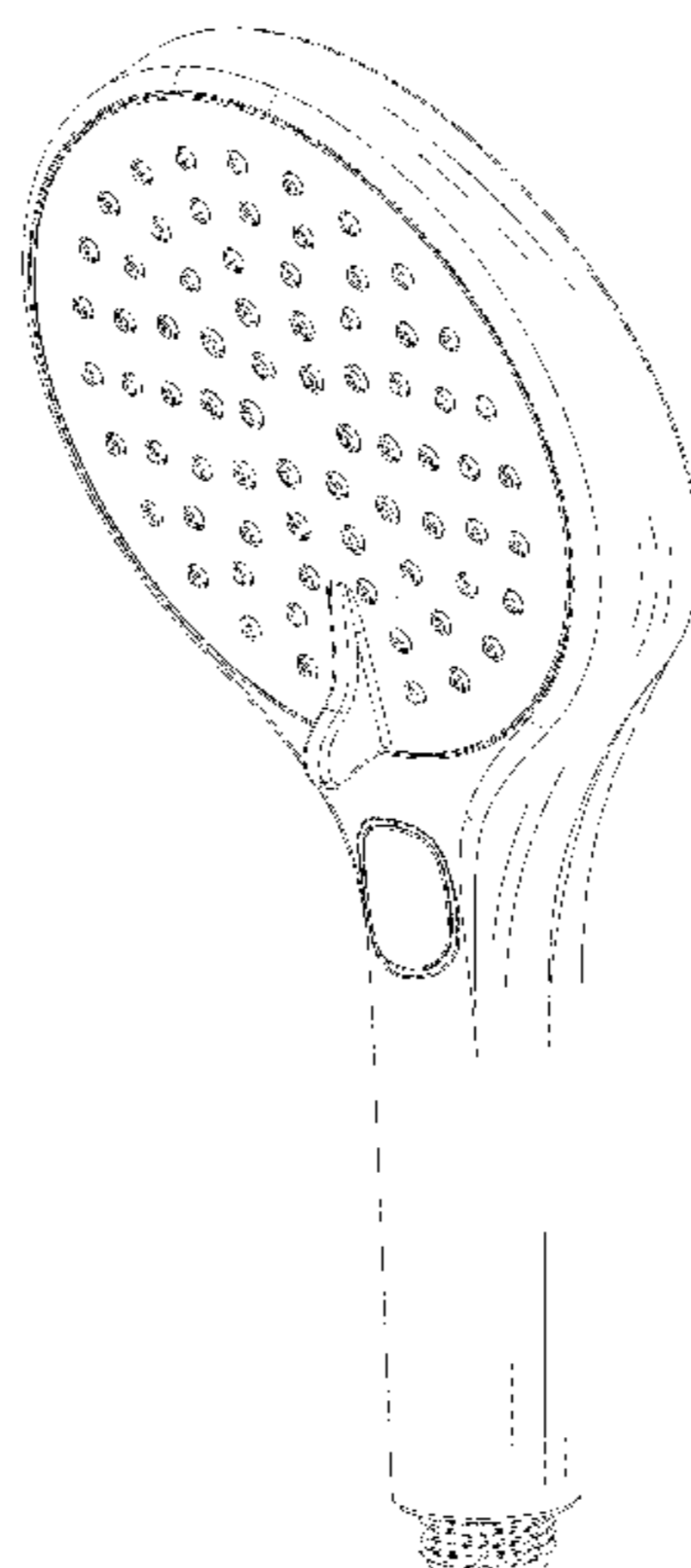
The broken lines illustrate portions of the hand shower which form no part of the claimed design.

(56) **References Cited**

U.S. PATENT DOCUMENTS

- D534,239 S * 12/2006 Dinger D23/223
- D550,811 S * 9/2007 Lammel D23/223
- D578,606 S * 10/2008 Wu D23/223
- D610,228 S * 2/2010 Wu D23/223
- 7,918,408 B2 * 4/2011 Tshieh B05B 1/02
239/444

1 Claim, 8 Drawing Sheets



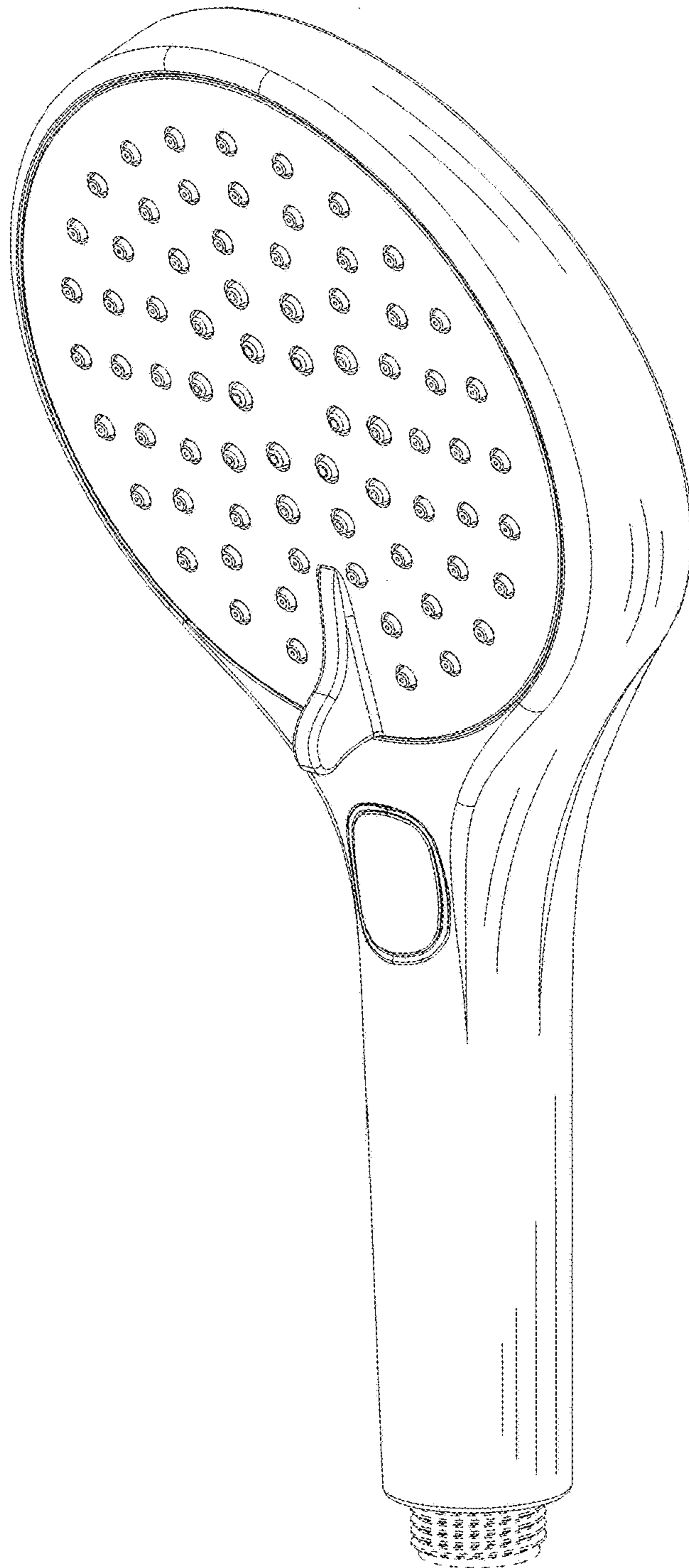


FIG. 1

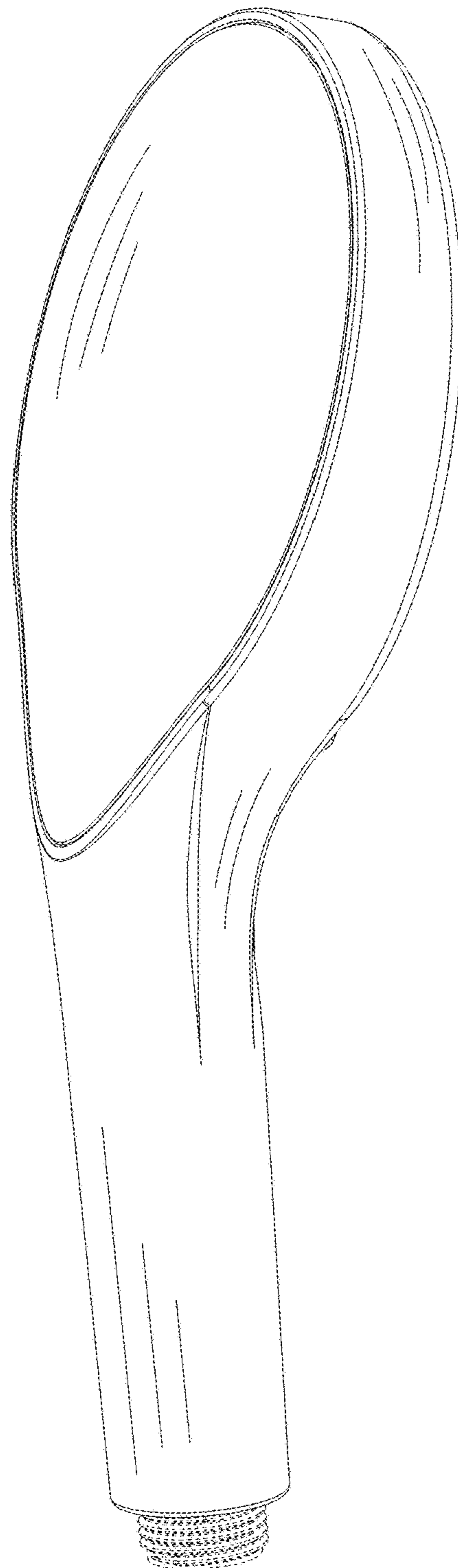


FIG. 2

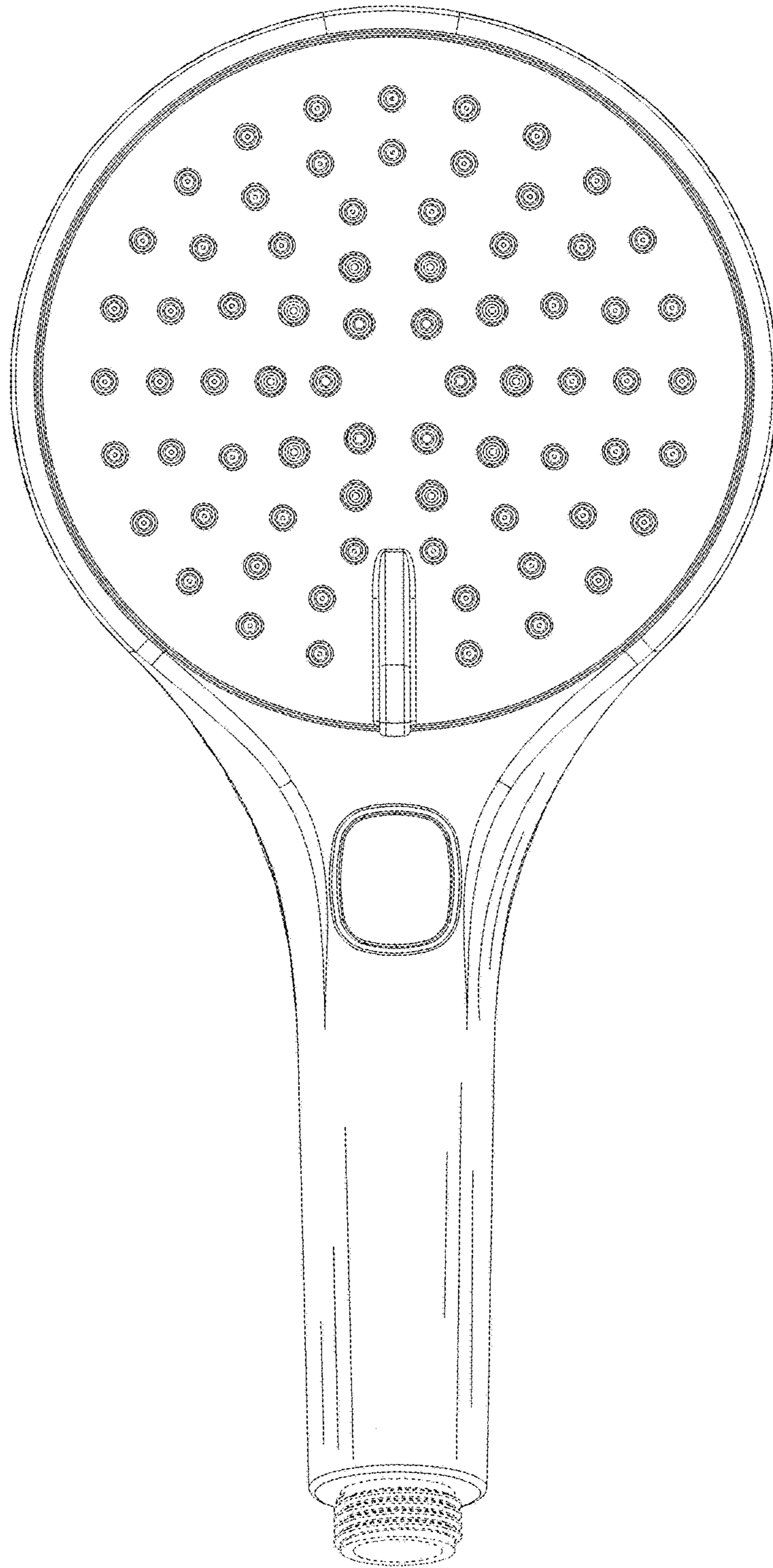


FIG. 3

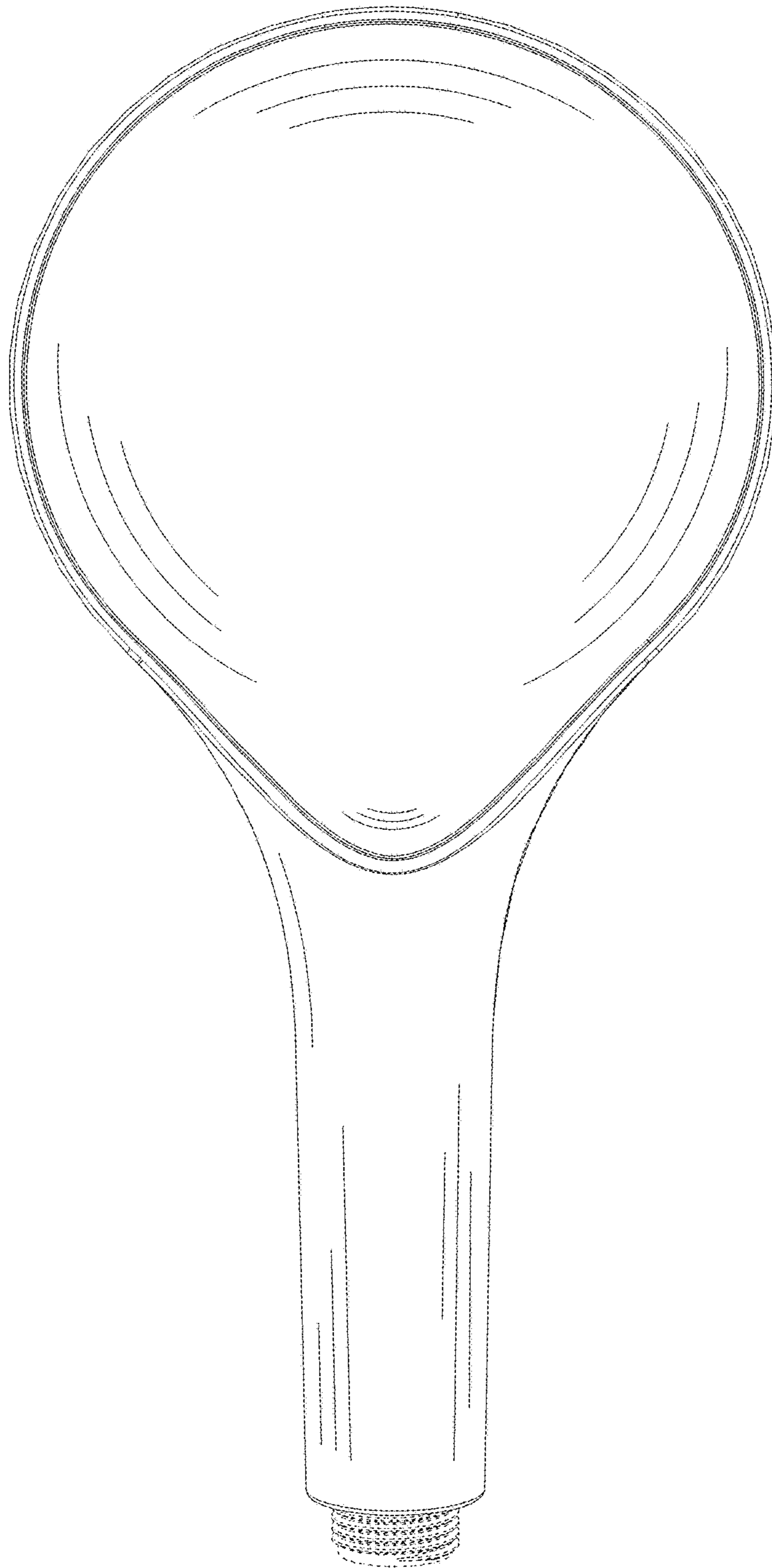


FIG. 4

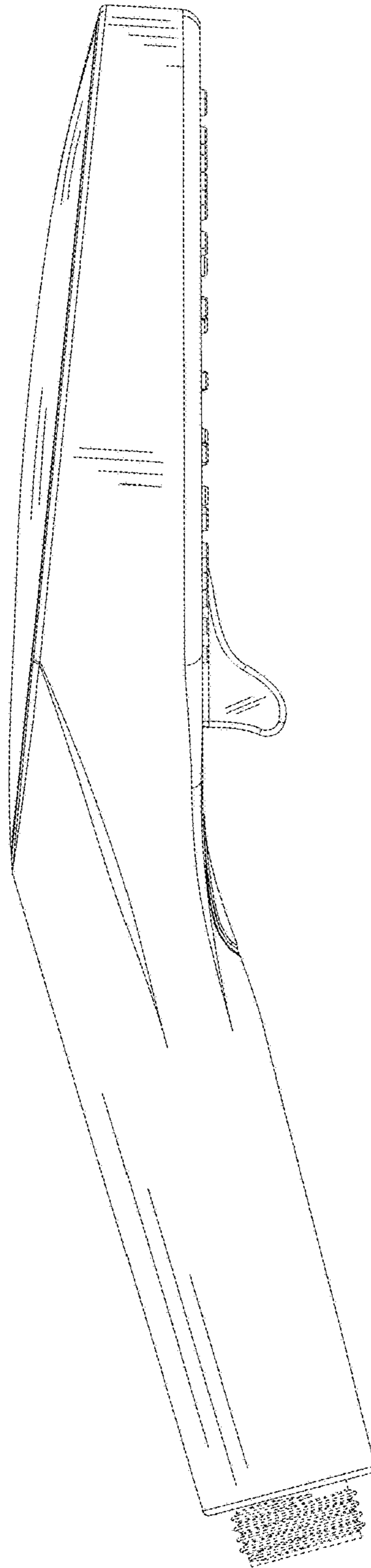


FIG. 5

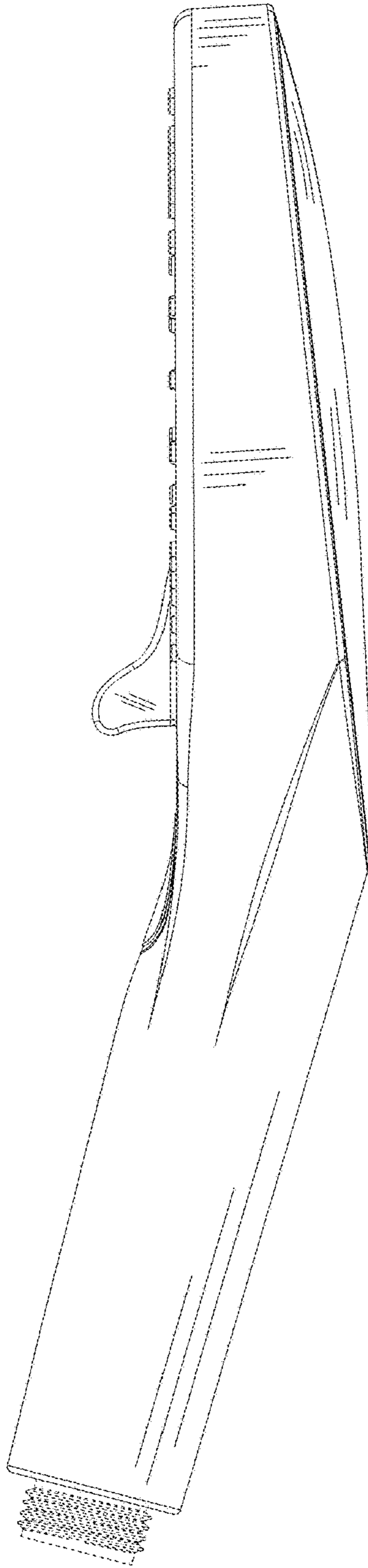


FIG. 6

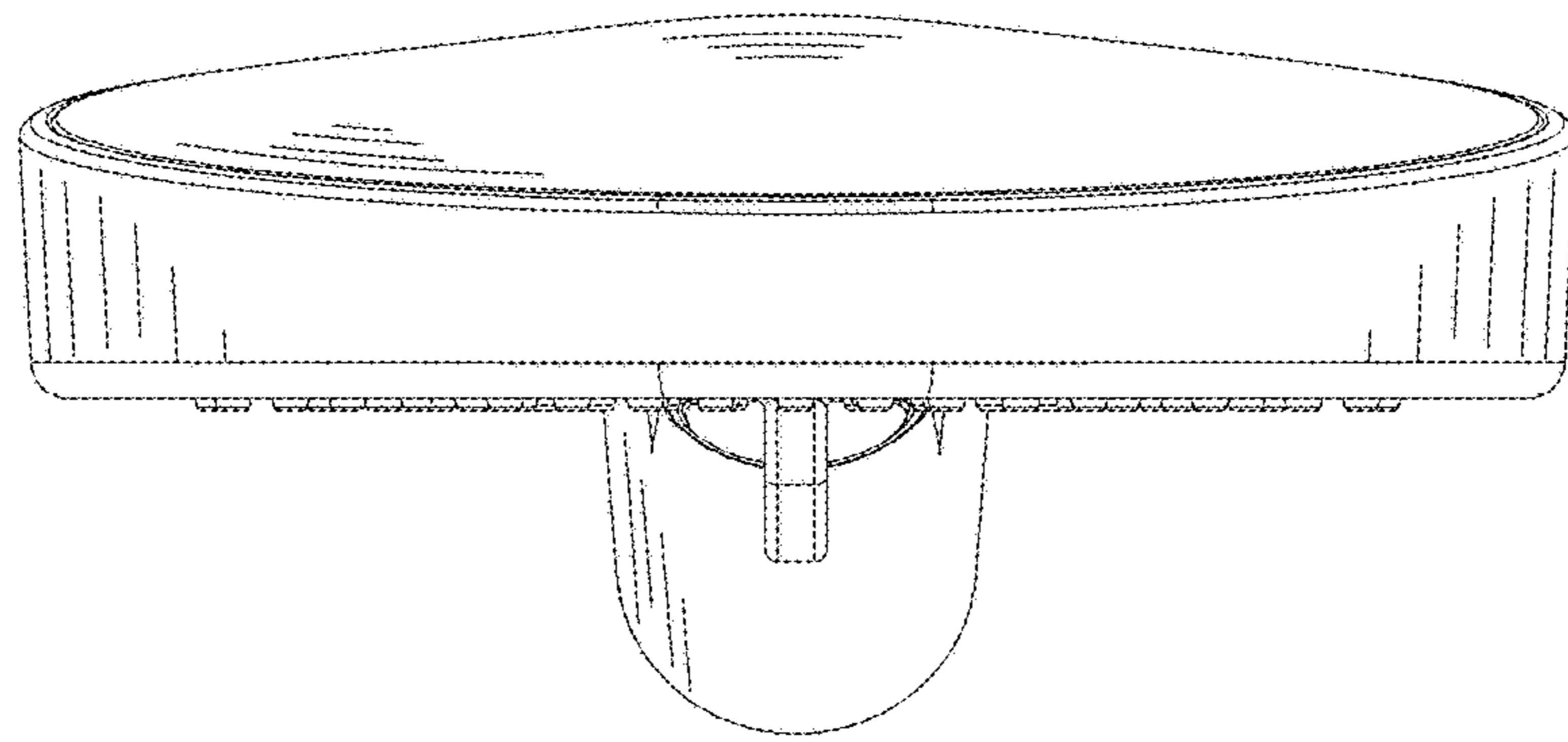


FIG. 7

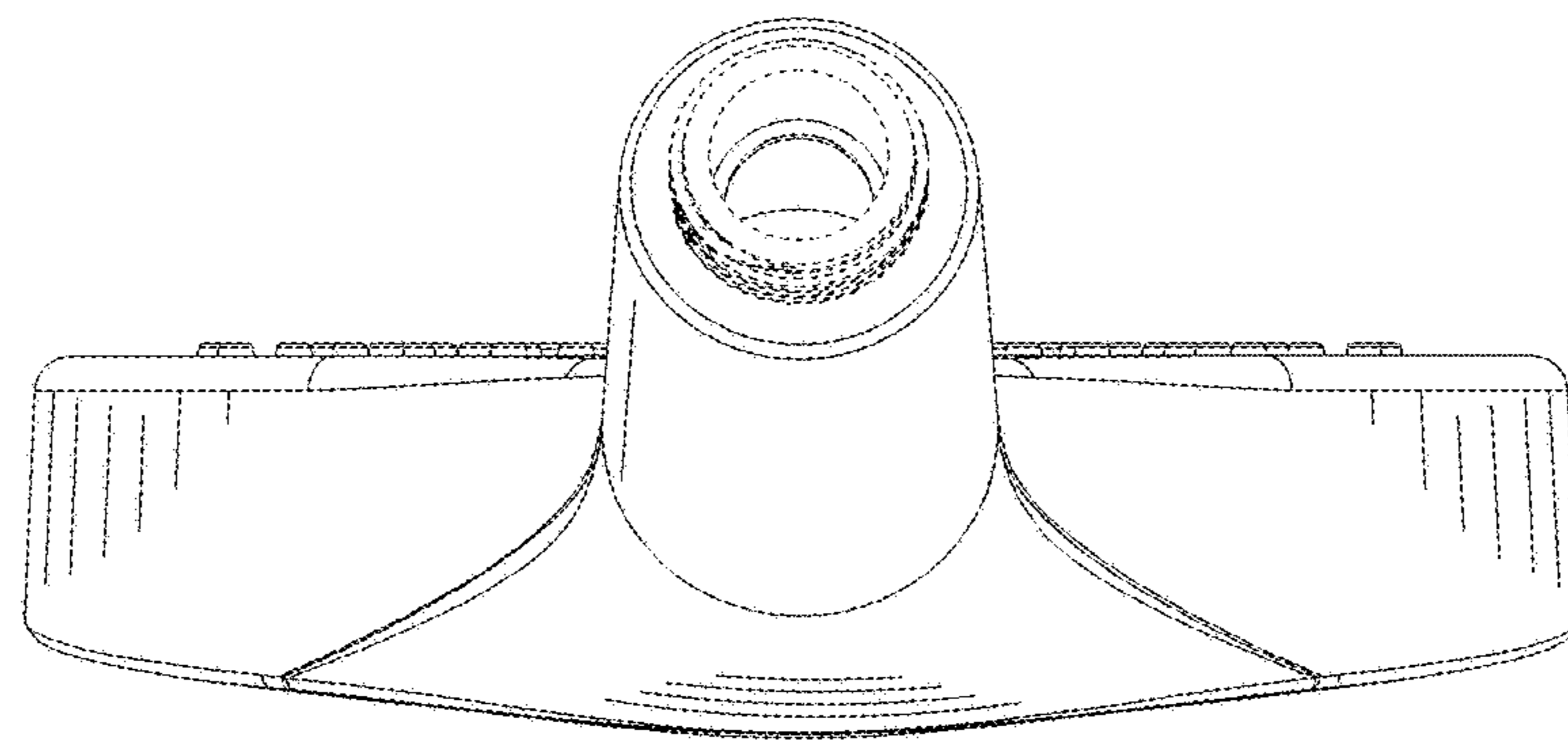


FIG. 8