



US00D841124S

(12) **United States Design Patent** (10) **Patent No.:** **US D841,124 S**
Haney et al. (45) **Date of Patent:** **** Feb. 19, 2019**

- (54) **SPRINKLER AND COUPLING** 6,446,732 B1 * 9/2002 Polan A62C 31/02
169/37
- (71) Applicant: **Victaulic Company**, Easton, PA (US) 6,516,892 B2 2/2003 Reilly
6,976,543 B1 * 12/2005 Fischer A62C 31/02
169/37
- (72) Inventors: **Craig Haney**, Nazareth, PA (US);
Philip W. Bancroft, Belvidere, NJ
(US); **Daniel Wake**, Bethlehem, PA
(US); **Ahmed Saleh**, Nazareth, PA
(US); **Matthew A. Bowman**, Palmer,
PA (US) 7,021,392 B2 4/2006 Bentzien et al.
7,165,624 B1 * 1/2007 Fischer A62C 31/02
169/16
- (73) Assignee: **Victaulic Company**, Easton, PA (US) D546,417 S 7/2007 Franson et al.
D567,329 S * 4/2008 Holmes A62C 31/02
D23/214
- (**) Term: **15 Years** D603,479 S * 11/2009 Koiwa D23/214
7,624,812 B2 * 12/2009 Pahila A62C 31/02
169/37
- (21) Appl. No.: **29/657,725** D612,450 S 3/2010 Feenstra
D617,415 S 6/2010 Feenstra
(Continued)

Primary Examiner — Robin V Webster
(74) *Attorney, Agent, or Firm* — Ballard Spahr LLP

(22) Filed: **Jul. 25, 2018**

Related U.S. Application Data

- (62) Division of application No. 29/613,168, filed on Aug. 8, 2017, now Pat. No. Des. 825,715.
- (51) **LOC (11) Cl.** **23-01**
- (52) **U.S. Cl.**
USPC **D23/214**
- (58) **Field of Classification Search**
USPC D23/213, 215, 216; 169/41, 37
CPC A62C 31/02; A62C 37/10
See application file for complete search history.

(56) **References Cited**

U.S. PATENT DOCUMENTS

1,255,111 A	1/1918	Buffum	
1,273,818 A	7/1918	Buffum	
4,732,216 A	3/1988	Polan	
D303,138 S	8/1989	Smith	
D348,719 S	7/1994	Dolan	
5,366,022 A	11/1994	Meyer et al.	
5,762,144 A *	6/1998	Lueddecke A62C 31/02 169/37

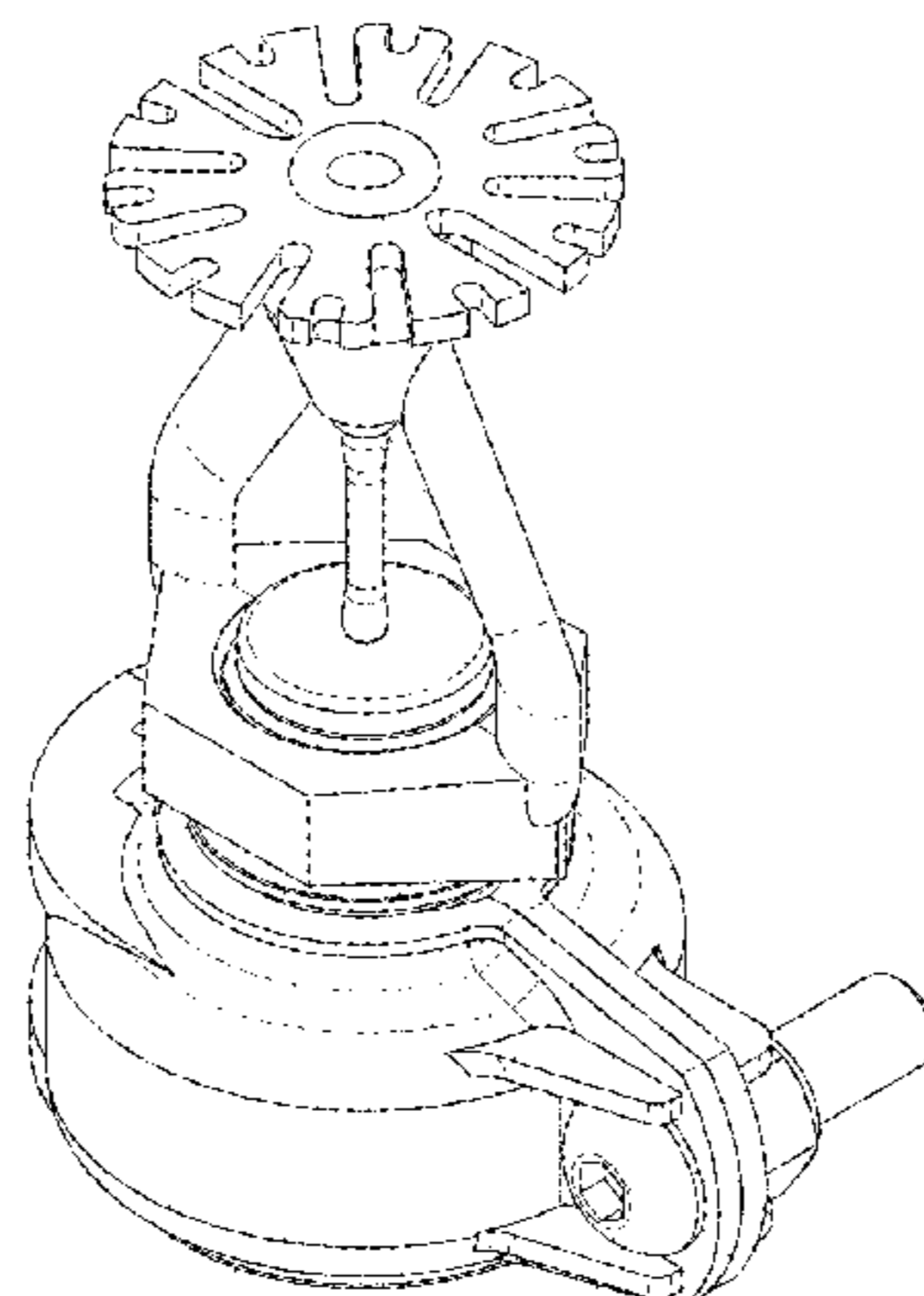
(57) **CLAIM**

We claim the ornamental design for a sprinkler and coupling, as shown and described.

DESCRIPTION

FIG. 1 is an isometric view of an embodiment of my design for a sprinkler and coupling;
FIG. 2 is a front view of the design of the sprinkler and coupling shown in FIG. 1;
FIG. 3 is a rear view of the design of the sprinkler and coupling shown in FIG. 1;
FIG. 4 is a left side view of the design of the sprinkler and coupling shown in FIG. 1;
FIG. 5 is a right side view of the design of the sprinkler and coupling shown in FIG. 1;
FIG. 6 is a top view of the design of the sprinkler and coupling shown in FIG. 1; and,
FIG. 7 is a bottom view of the design of the sprinkler and coupling shown in FIG. 1.

1 Claim, 7 Drawing Sheets



(56)

References Cited

U.S. PATENT DOCUMENTS

7,819,201 B2 *	10/2010	Pounder	A62C 37/11 169/16
D699,321 S *	2/2014	Karihara	A62C 31/02 D23/214
8,662,190 B2	3/2014	Watson		
D726,871 S *	4/2015	Keynan	A62C 31/02 D23/214
9,086,180 B2	7/2015	Porta		
D748,224 S	1/2016	Holmes		
D781,399 S *	3/2017	Koiwa	A62C 31/02 D23/214
9,782,614 B2	10/2017	Chen		
9,849,320 B2	12/2017	Ringer		
D825,715 S *	8/2018	Bancroft	A62C 31/02 D23/214
2011/0214886 A1	9/2011	Orr		

* cited by examiner

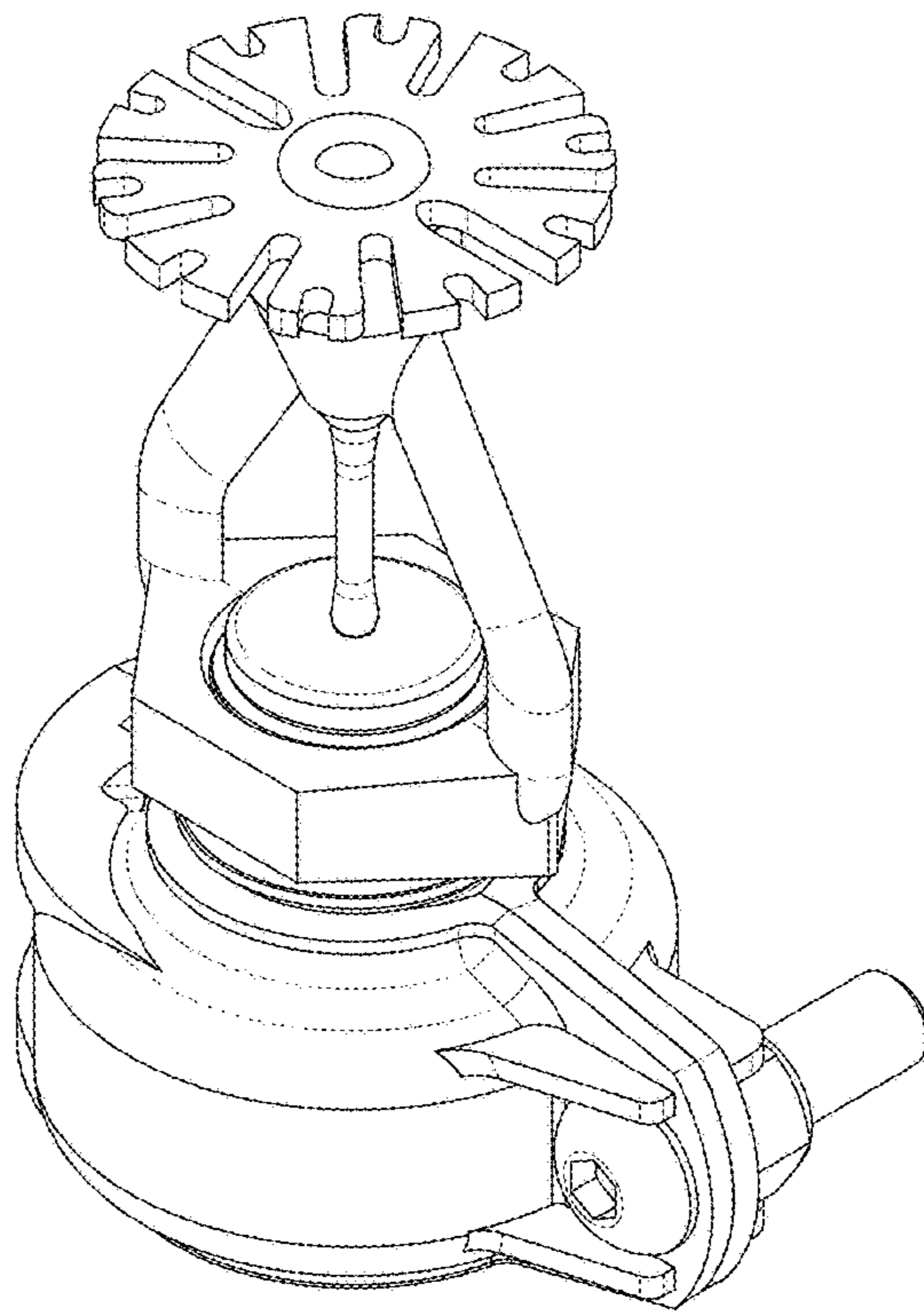


FIG. 1

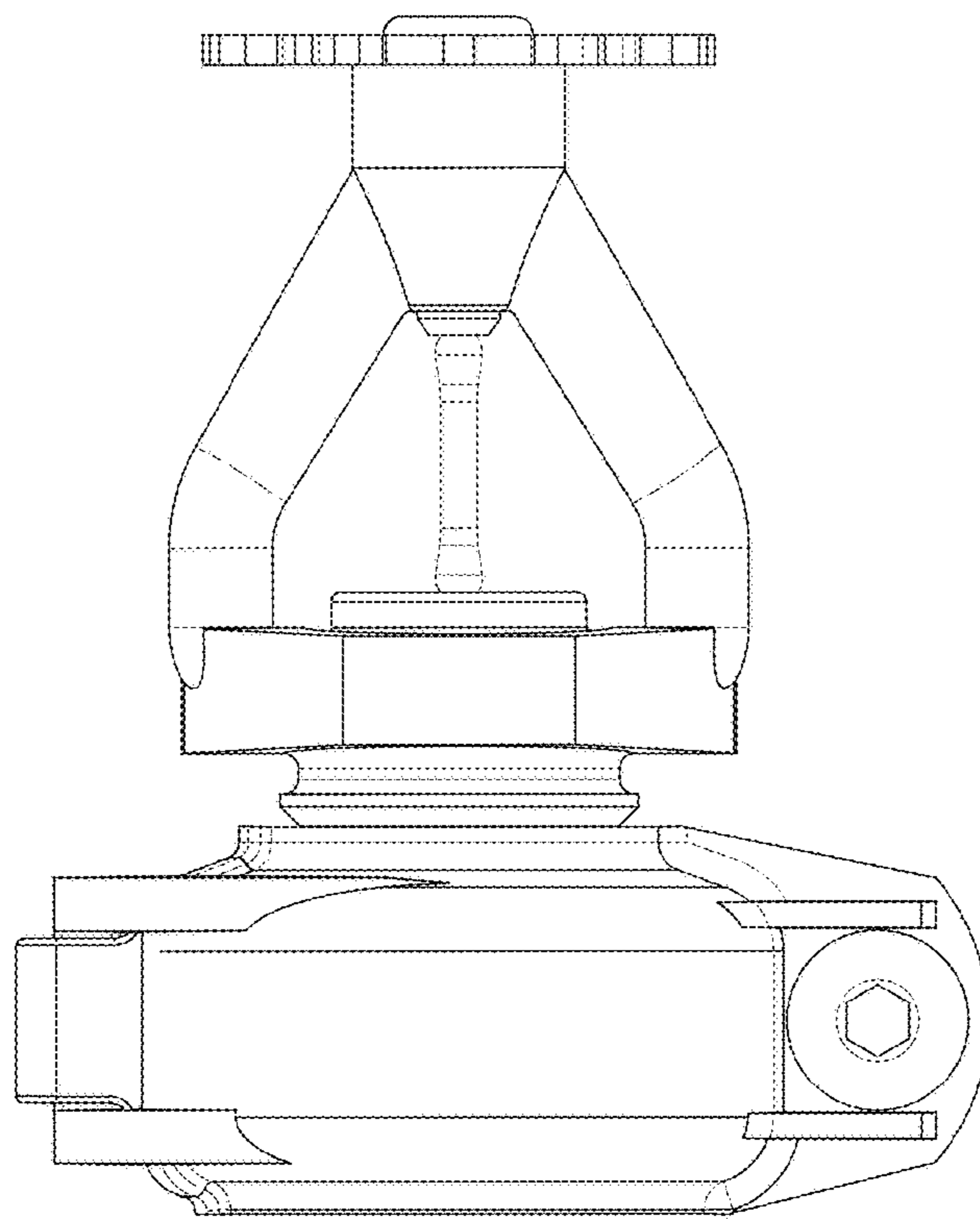


FIG. 2

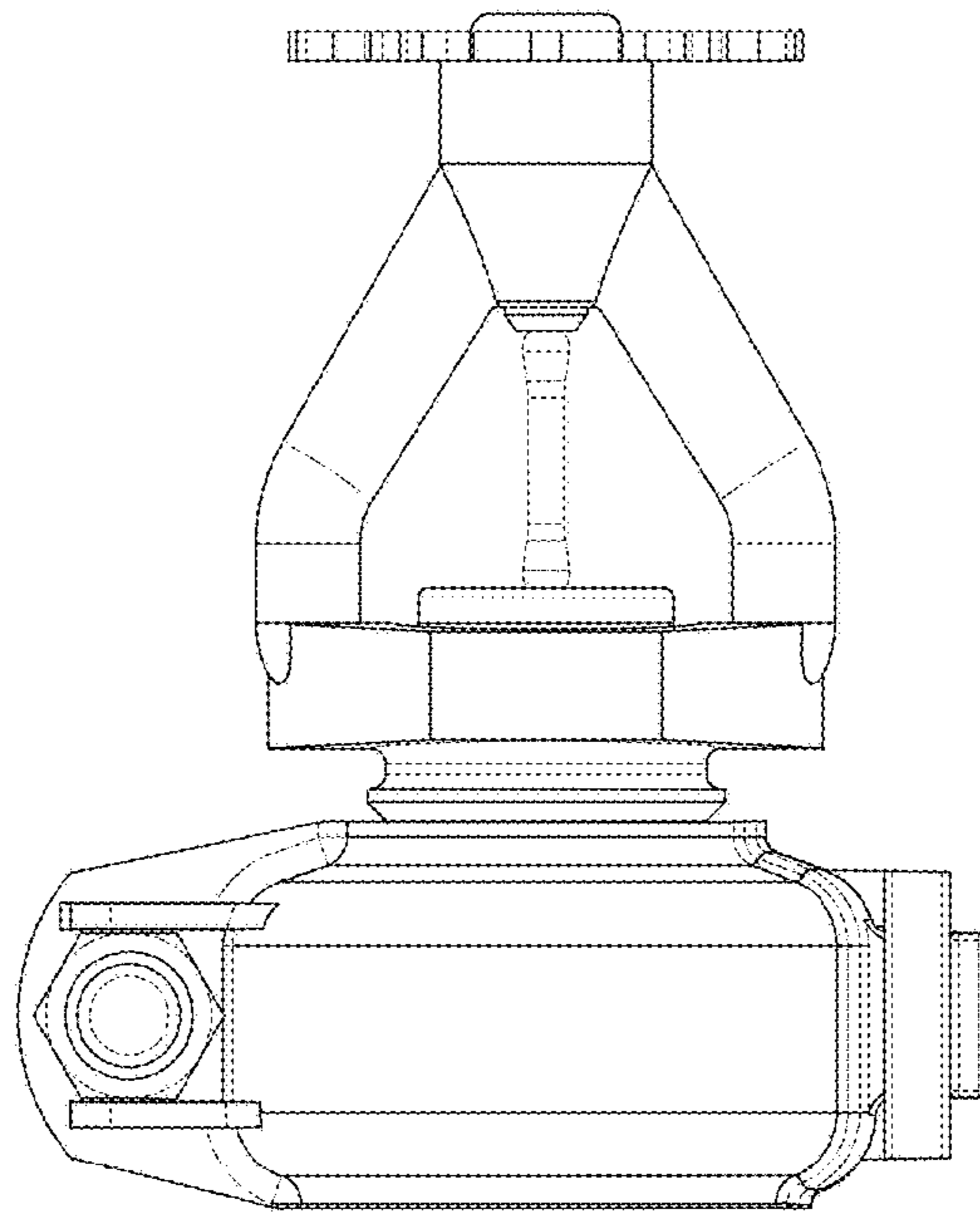


FIG. 3

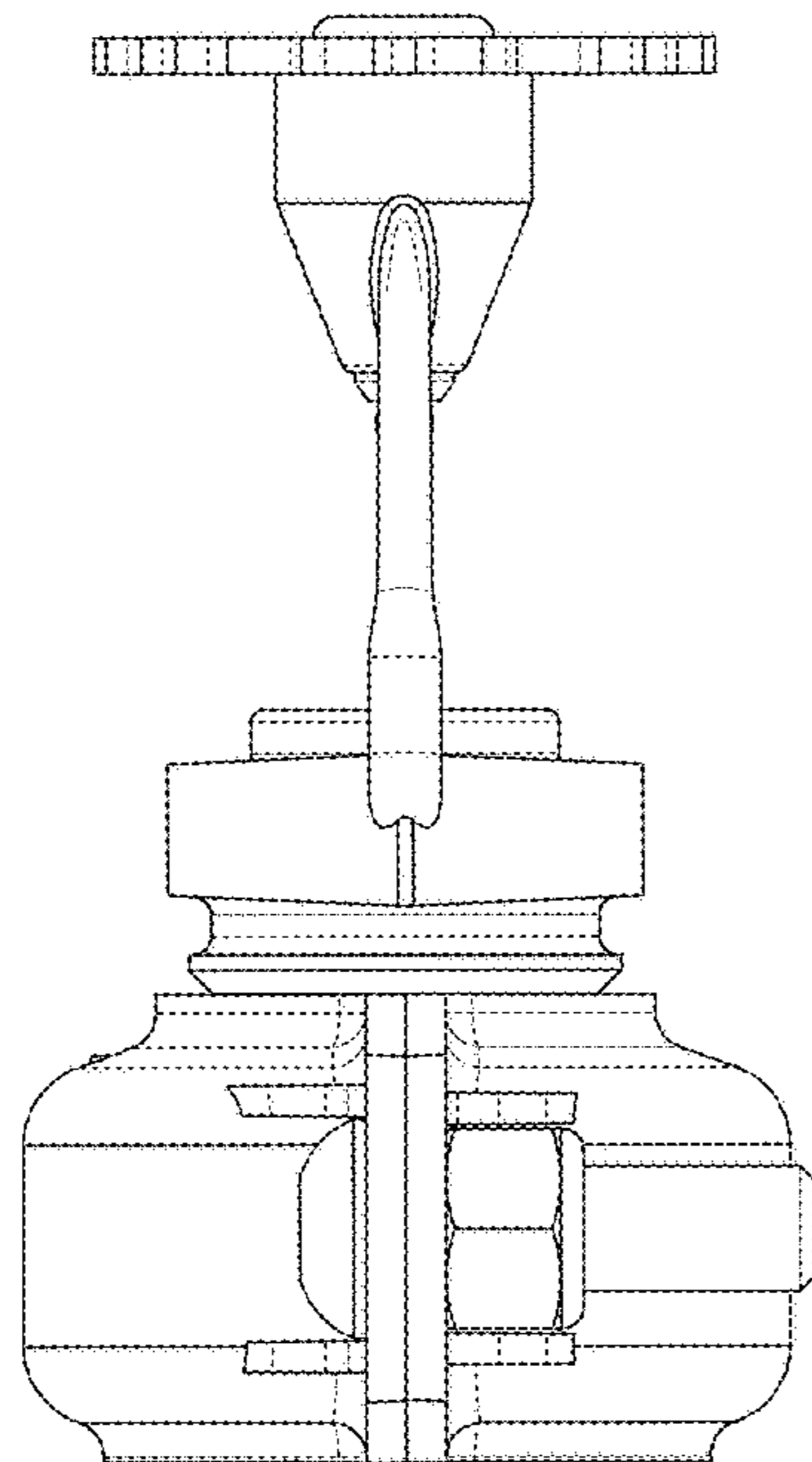


FIG. 4

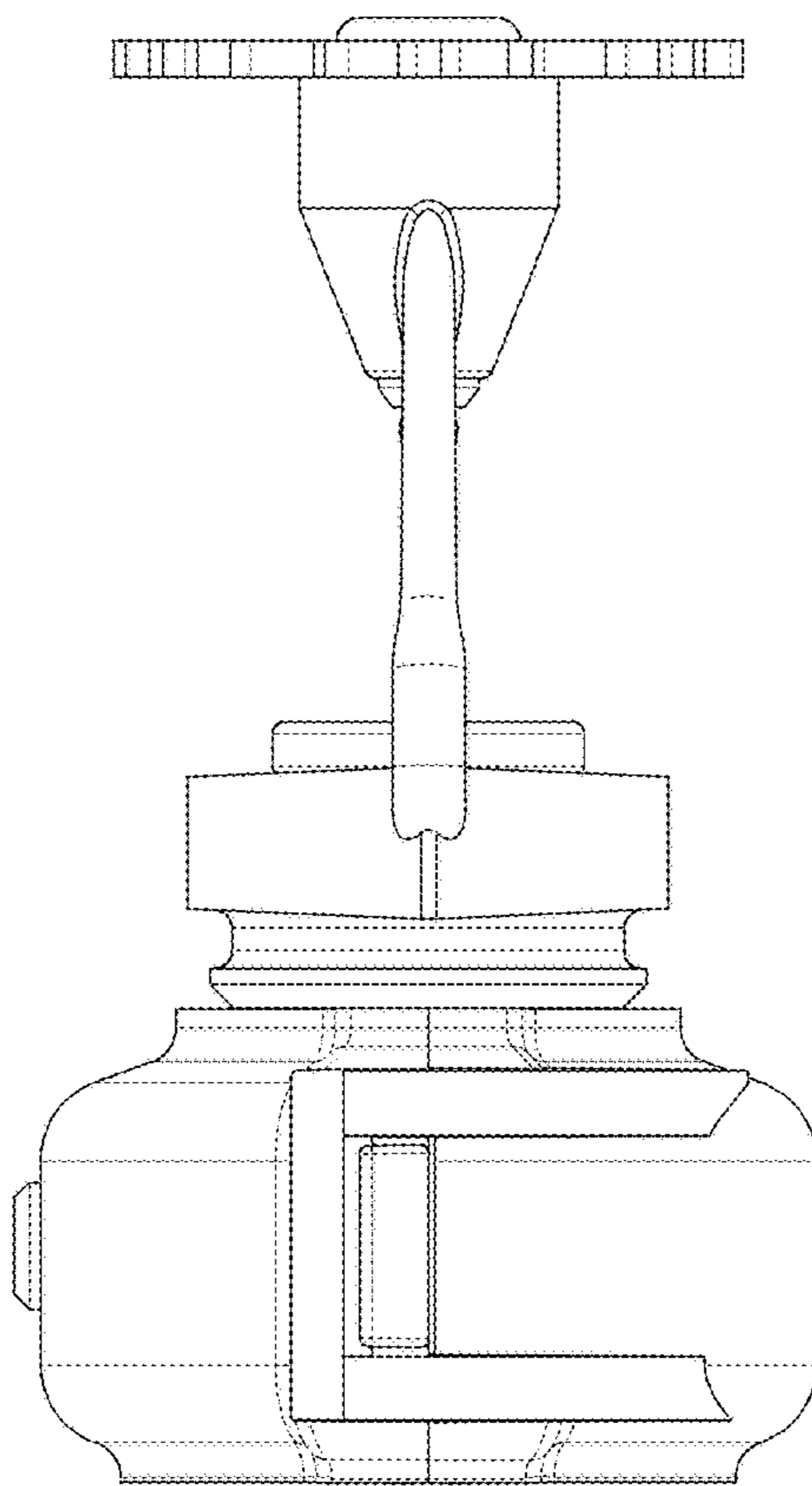


FIG. 5

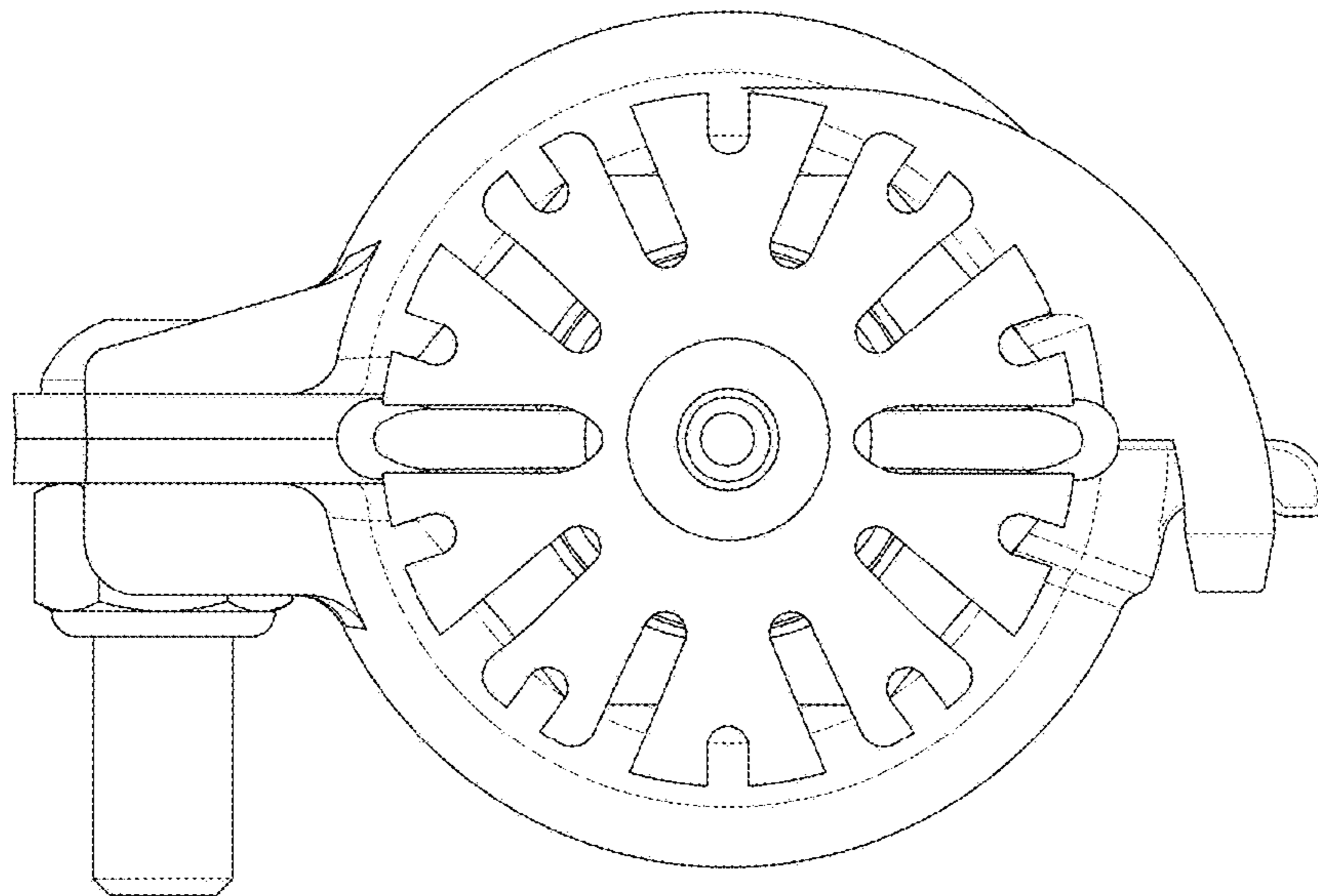


FIG. 6

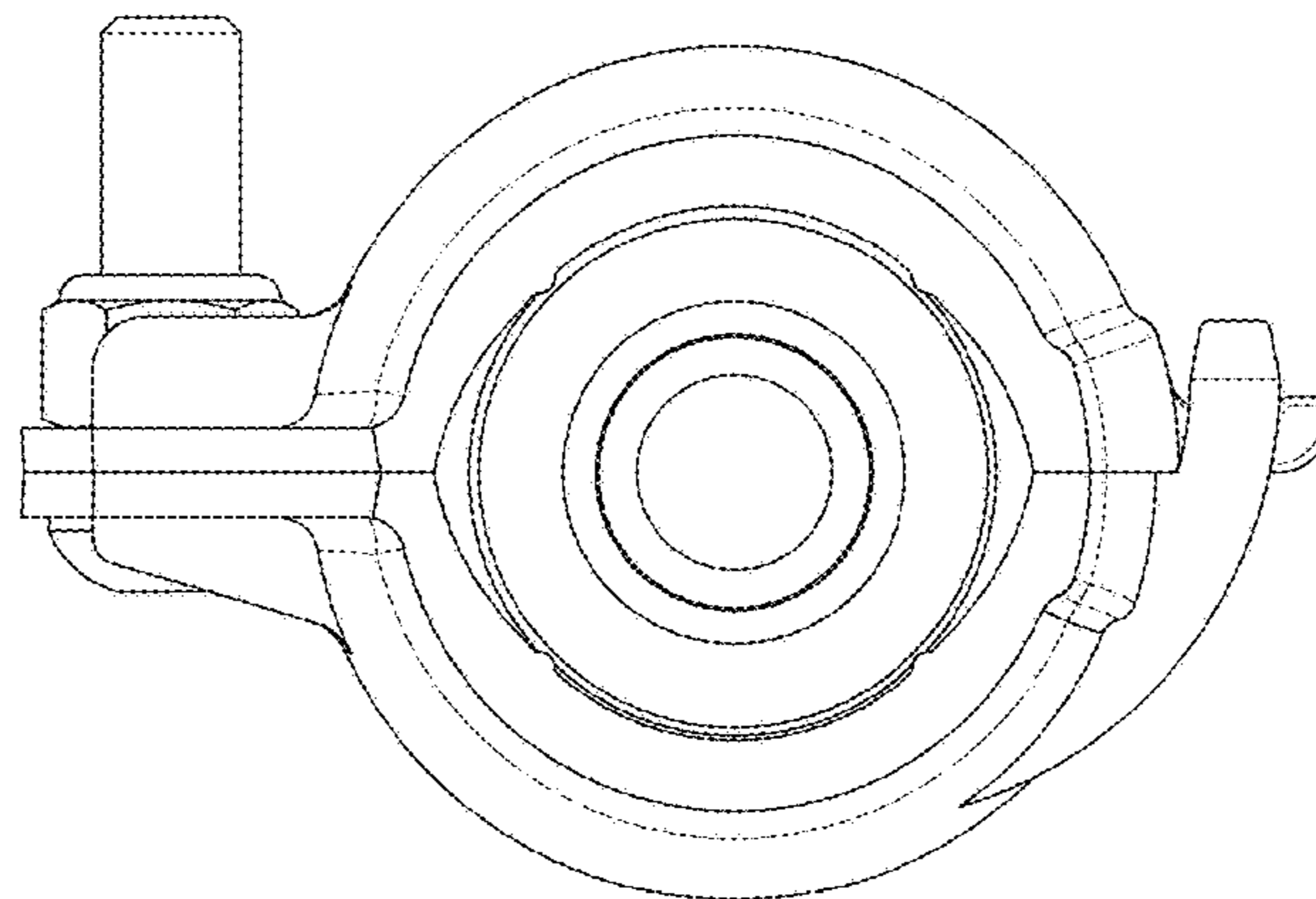


FIG. 7