



US00D841123S

(12) **United States Design Patent** (10) **Patent No.:** **US D841,123 S**
Saleh et al. (45) **Date of Patent:** **** Feb. 19, 2019**

- (54) **SPRINKLER** 6,446,732 B1 * 9/2002 Polan A62C 31/02
169/37
- (71) Applicant: **Victaulic Company**, Easton, PA (US) 6,516,892 B2 2/2003 Reilly
6,976,543 B1 * 12/2005 Fischer A62C 31/02
169/37
- (72) Inventors: **Ahmed Saleh**, Nazareth, PA (US);
Matthew A. Bowman, Palmer, PA
(US); **Craig Haney**, Nazareth, PA (US);
Philip W. Bancroft, Belvidere, NJ
(US); **Daniel Wake**, Bethlehem, PA
(US) 7,021,392 B2 4/2006 Bentzien et al.
7,165,624 B1 * 1/2007 Fischer A62C 31/02
169/16
D546,417 S 7/2007 Franson et al.
D567,329 S * 4/2008 Holmes A62C 31/02
D23/214
D603,479 S * 11/2009 Koiwa D23/214
7,624,812 B2 * 12/2009 Pahila A62C 31/02
169/37
D612,450 S 3/2010 Feenstra
(Continued)
- (73) Assignee: **Victaulic Company**, Easton, PA (US)
- (**) Term: **15 Years**

- (21) Appl. No.: **29/657,723**
- (22) Filed: **Jul. 25, 2018**

Primary Examiner — Robin V Webster
(74) *Attorney, Agent, or Firm* — Ballard Spahr LLP

(57) **CLAIM**

We claim the ornamental design for a sprinkler, as shown and described.

DESCRIPTION

FIG. 1 is a perspective view of a sprinkler showing our new design;
FIG. 2 is a front view of the design of the sprinkler shown in FIG. 1;
FIG. 3 is a rear view of the design of the sprinkler shown in FIG. 1;
FIG. 4 is a left side view of the design of the sprinkler shown in FIG. 1;
FIG. 5 is a right side view of the design of the sprinkler shown in FIG. 1;
FIG. 6 is a top view of the design of the sprinkler shown in FIG. 1; and,
FIG. 7 is a bottom view of the design of the sprinkler shown in FIG. 1.
The broken lines depict portions of the sprinkler that form no part of the claimed design.

Related U.S. Application Data

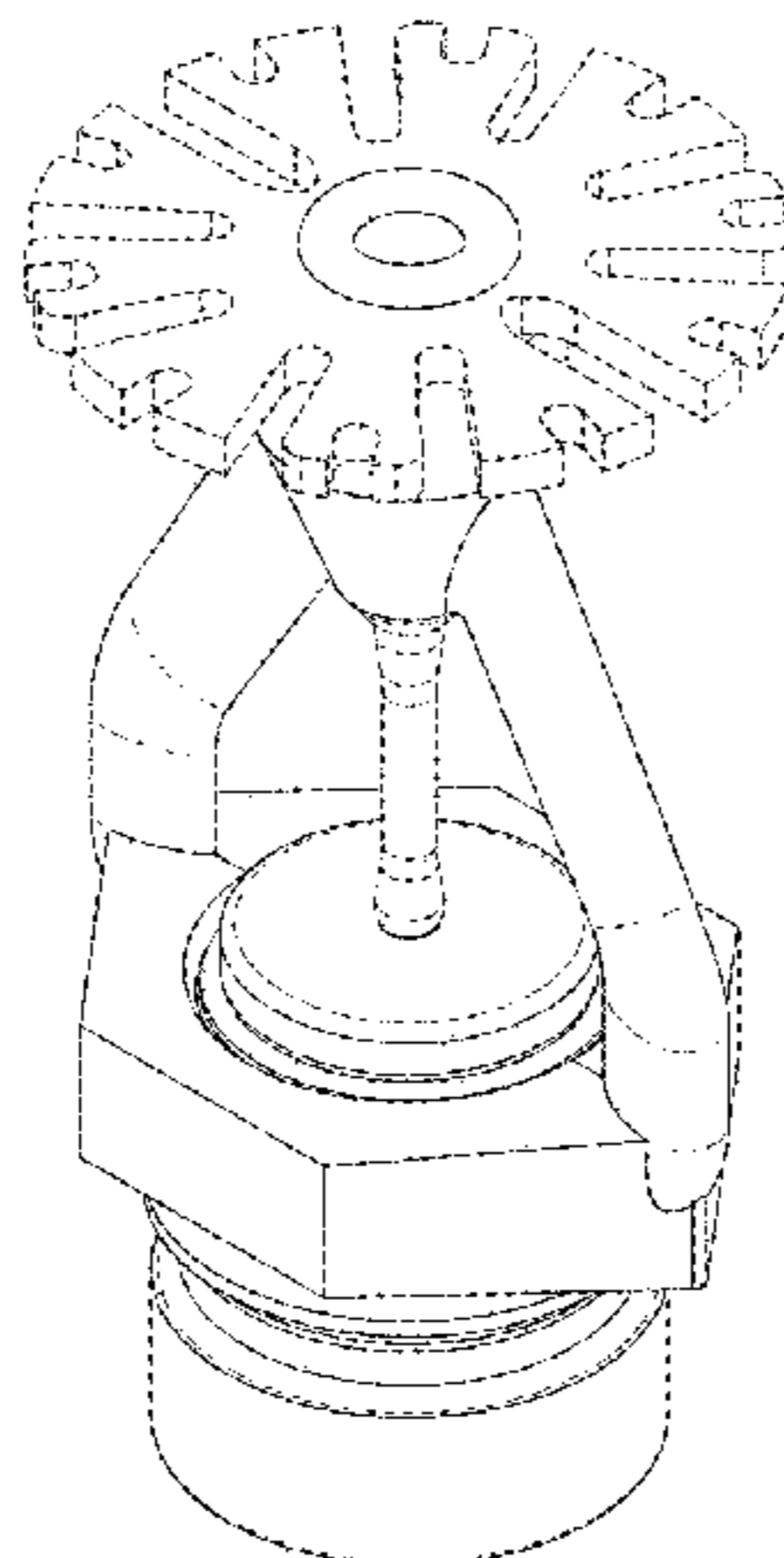
- (62) Division of application No. 29/613,168, filed on Aug. 8, 2017, now Pat. No. Des. 825,715.
- (51) **LOC (11) Cl.** **23-01**
- (52) **U.S. Cl.**
USPC **D23/214**
- (58) **Field of Classification Search**
USPC D23/213, 215, 216; 169/41, 37
CPC A62C 31/02; A62C 37/10
See application file for complete search history.

References Cited

U.S. PATENT DOCUMENTS

- 1,255,111 A 1/1918 Buffum
- 1,273,818 A 7/1918 Buffum
- 4,732,216 A 3/1988 Polan
- D303,138 S 8/1989 Smith
- D348,719 S 7/1994 Dolan
- 5,366,022 A 11/1994 Meyer et al.
- 5,762,144 A * 6/1998 Lueddecke A62C 31/02
169/37

1 Claim, 7 Drawing Sheets



(56)

References Cited

U.S. PATENT DOCUMENTS

| | | | |
|-----------------|---------|----------------|-----------------------|
| D617,415 S | 6/2010 | Feenstra | |
| 7,819,201 B2 * | 10/2010 | Pounder | A62C 37/11 169/16 |
| D699,321 S * | 2/2014 | Karihara | A62C 31/02 D23/214 |
| 8,662,190 B2 | 3/2014 | Watson | |
| D726,871 S * | 4/2015 | Keynan | A62C 31/02 D23/214 |
| 9,086,180 B2 | 7/2015 | Porta | |
| D748,224 S | 1/2016 | Holmes | |
| D781,399 S * | 3/2017 | Koiwa | A62C 31/02 D23/214 |
| 9,782,614 B2 | 10/2017 | Chen | |
| 9,849,320 B2 | 12/2017 | Ringer | |
| D825,715 S * | 8/2018 | Bancroft | A62C 31/02 D23/214 |
| 2011/0214886 A1 | 9/2011 | Orr | |

* cited by examiner

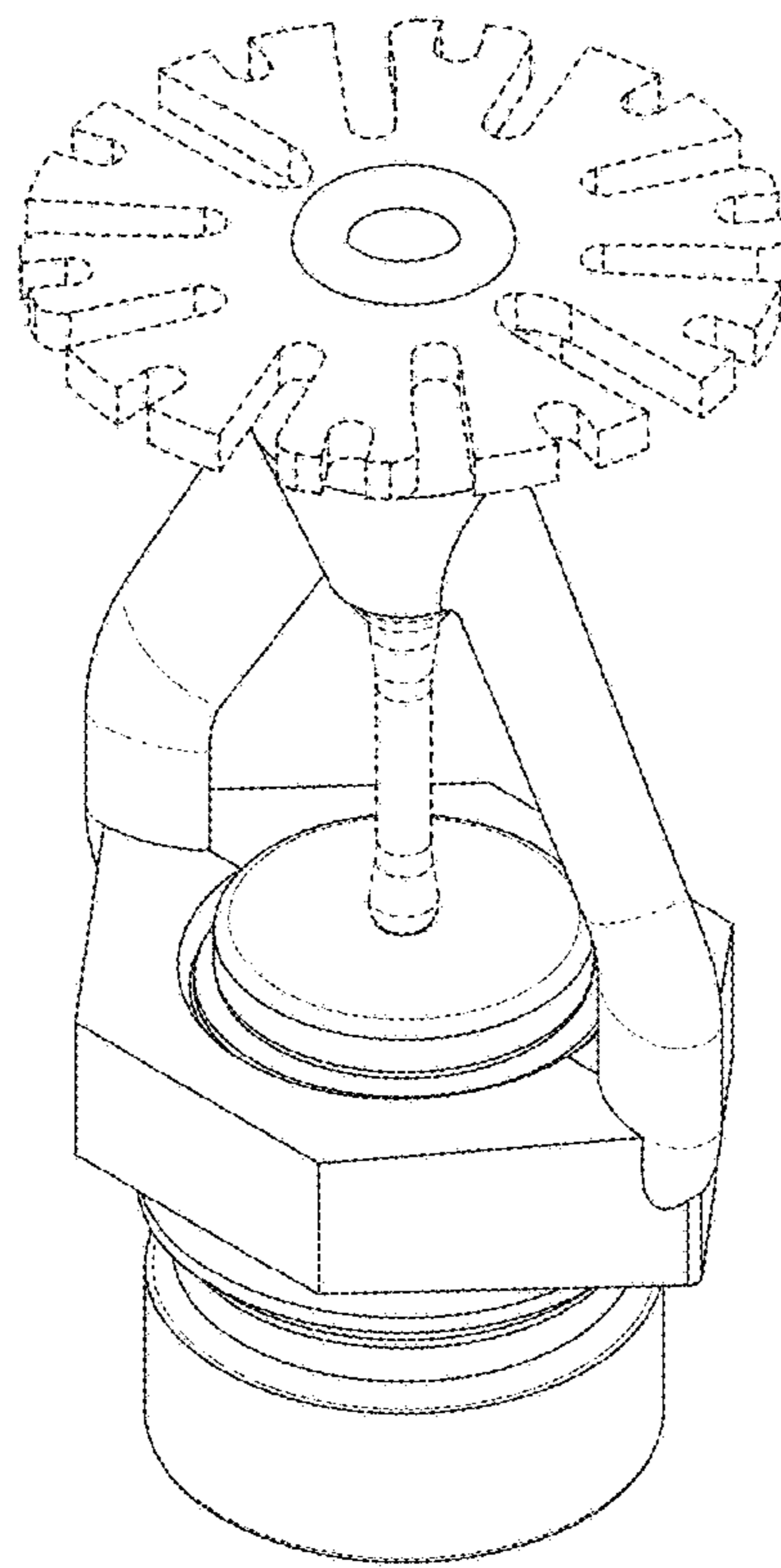


FIG. 1

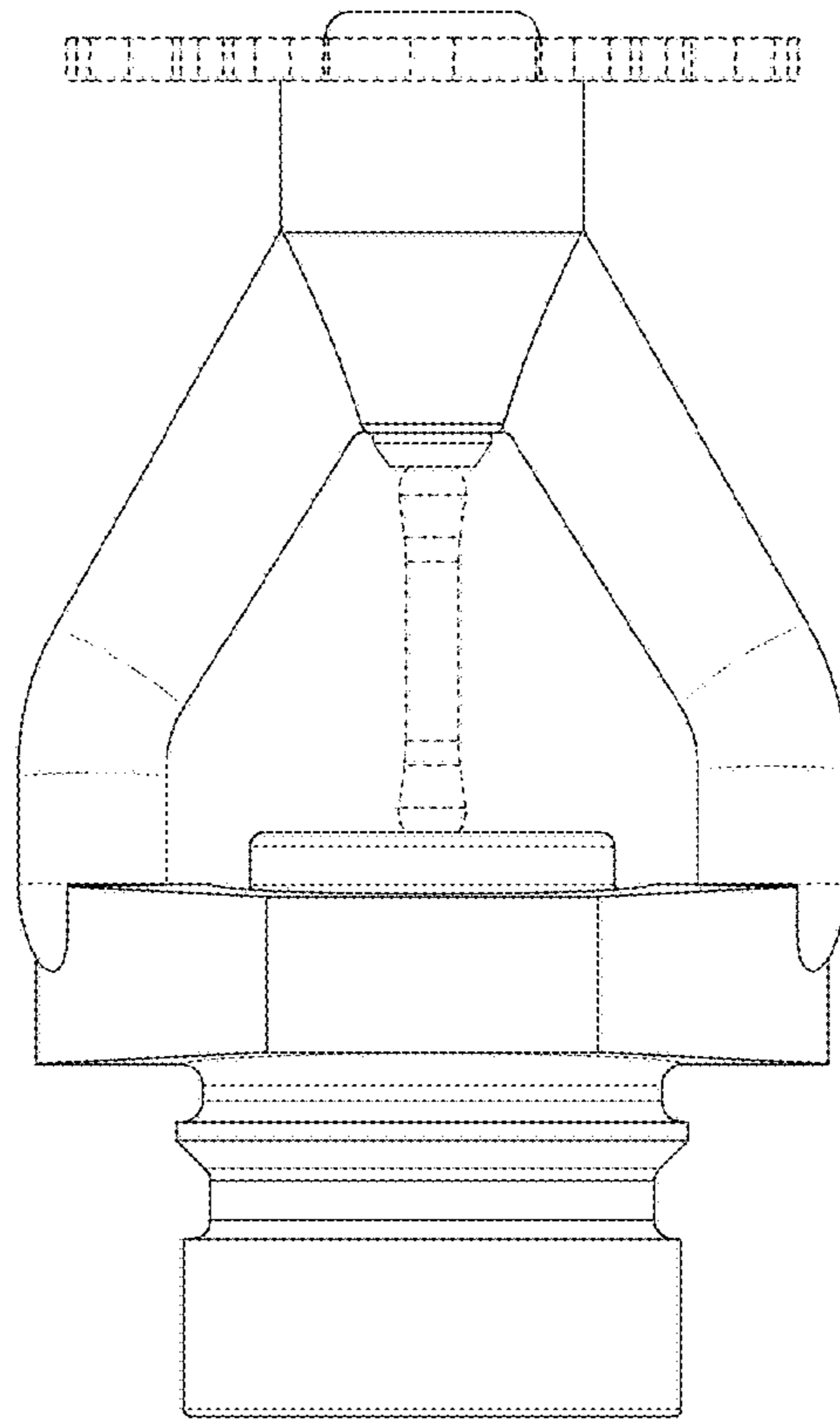


FIG. 2

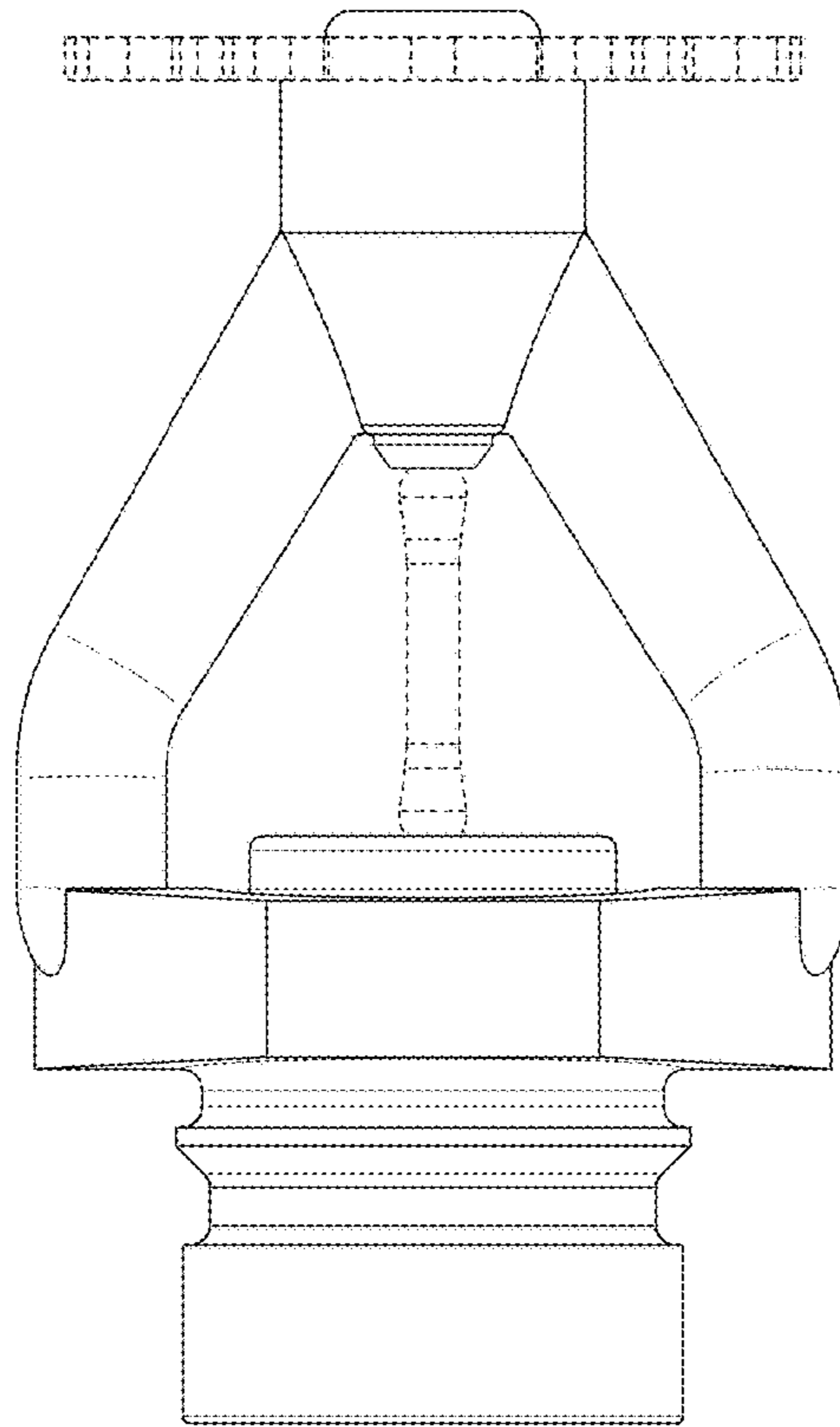


FIG. 3

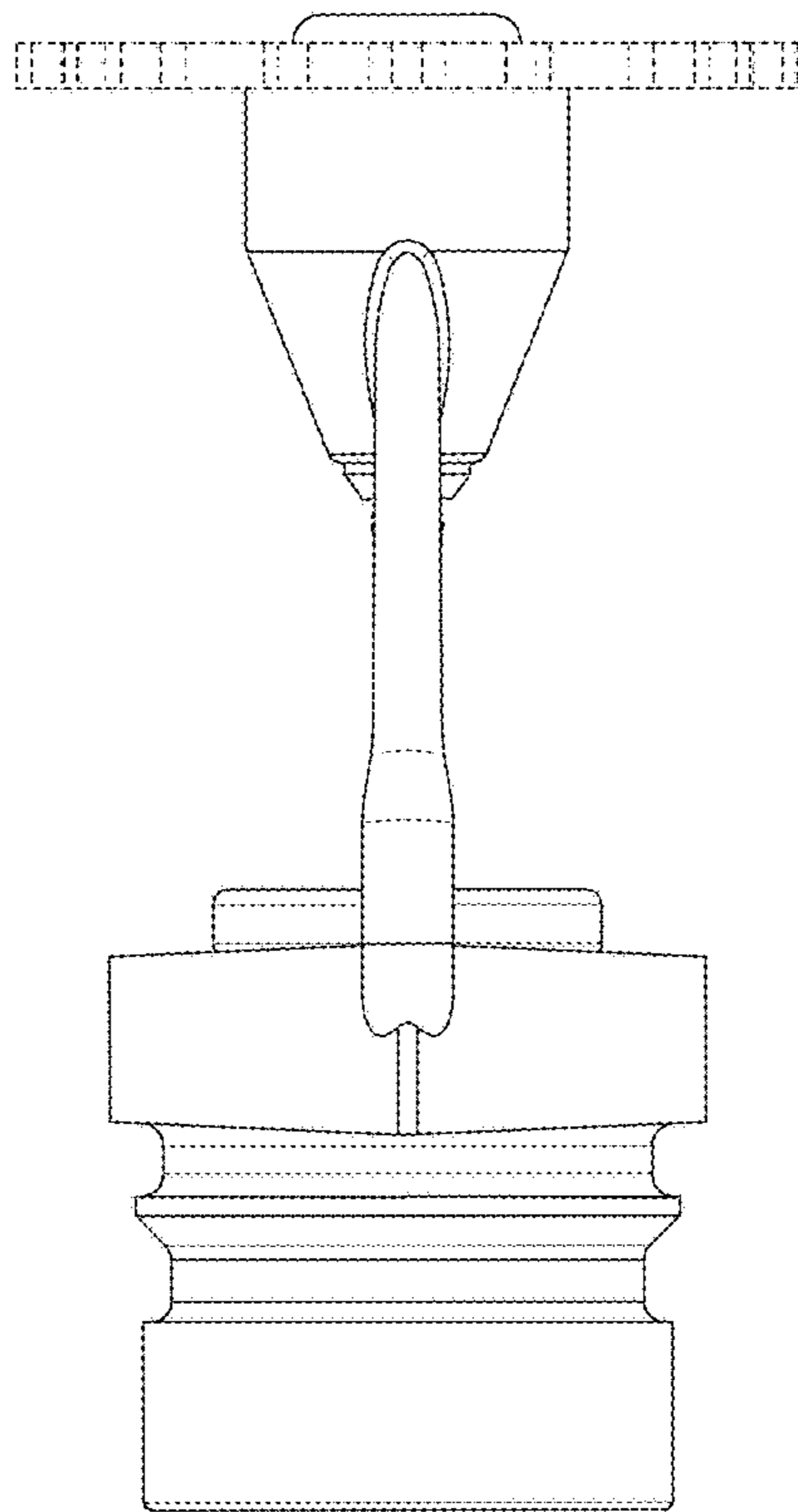


FIG. 4

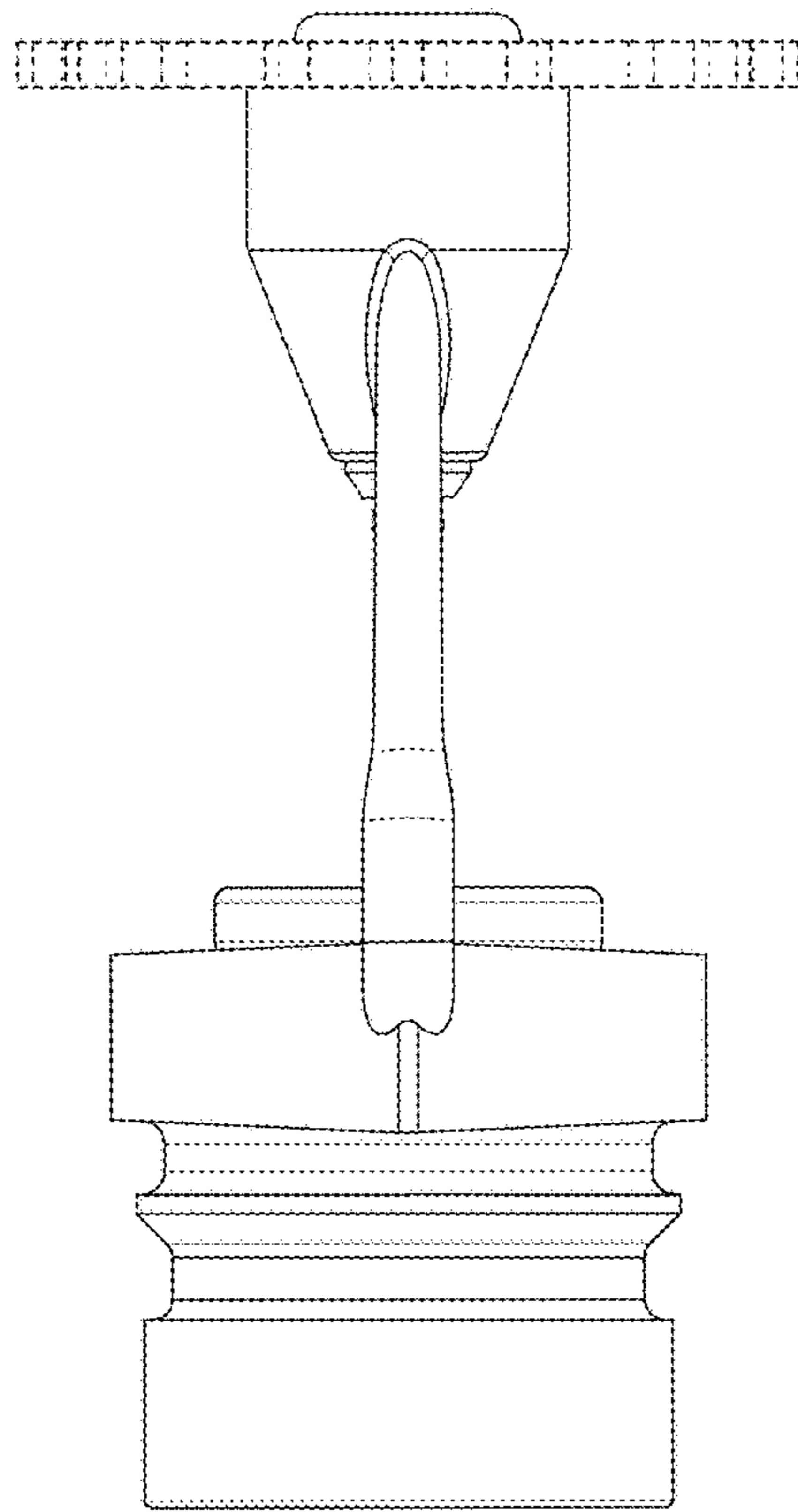


FIG. 5

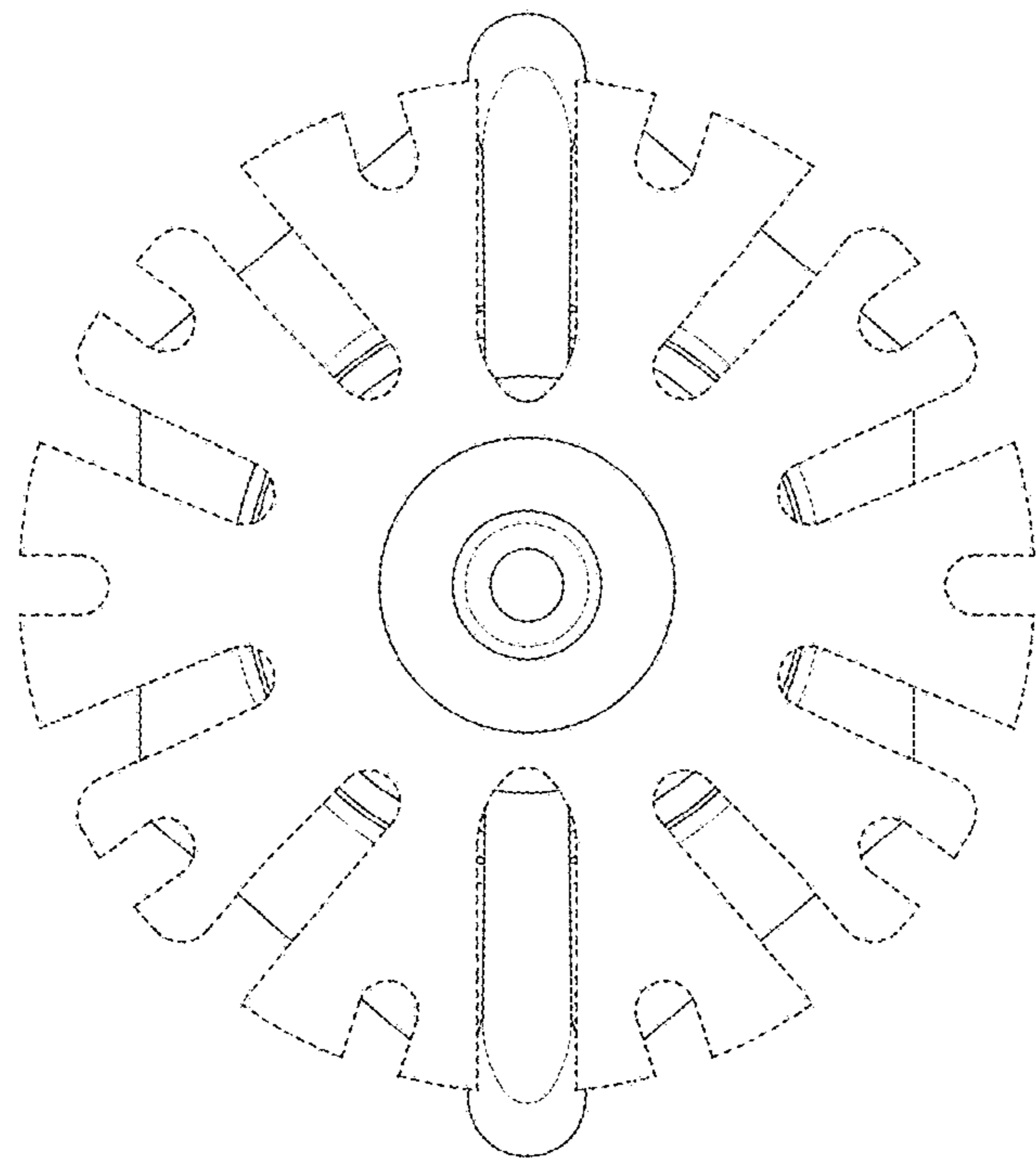


FIG. 6

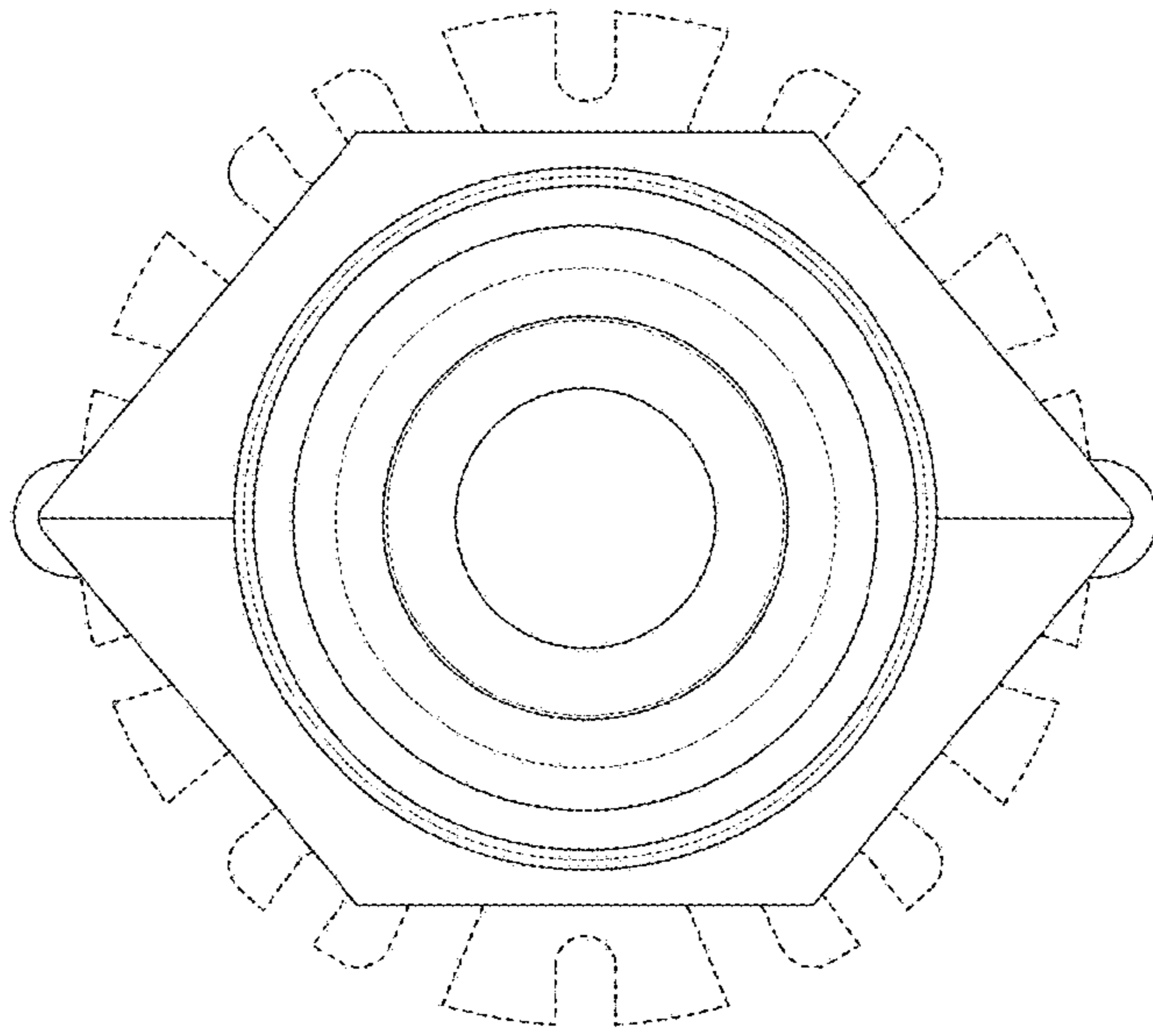


FIG. 7