

US00D841122S

(12) **United States Design Patent** (10) **Patent No.:** **US D841,122 S**
Wake et al. (45) **Date of Patent:** **** Feb. 19, 2019**

- (54) **SPRINKLER** 6,446,732 B1 * 9/2002 Polan A62C 31/02
169/37
- (71) Applicant: **Victaulic Company**, Easton, PA (US) 6,516,892 B2 2/2003 Reilly
6,976,543 B1 * 12/2005 Fischer A62C 31/02
169/37
- (72) Inventors: **Daniel Wake**, Bethlehem, PA (US);
Ahmed Saleh, Nazareth, PA (US);
Matthew A. Bowman, Palmer, PA
(US); **Craig Haney**, Nazareth, PA (US);
Philip W. Bancroft, Belvidere, NJ (US) 7,021,392 B2 4/2006 Bentzien et al.
7,165,624 B1 * 1/2007 Fischer A62C 31/02
169/16
- (73) Assignee: **Victaulic Company**, Easton, PA (US) D546,417 S 7/2007 Franson et al.
D567,329 S * 4/2008 Holmes A62C 31/02
D23/214
- (**) Term: **15 Years** D603,479 S * 11/2009 Koiwa D23/214
7,624,812 B2 * 12/2009 Pahila A62C 31/02
169/37
- (21) Appl. No.: **29/657,720** D612,450 S 3/2010 Feenstra
D617,415 S 6/2010 Feenstra
(Continued)

Primary Examiner — Robin V Webster
 (74) *Attorney, Agent, or Firm* — Ballard Spahr LLP

Related U.S. Application Data

- (62) Division of application No. 29/613,168, filed on Aug. 8, 2017, now Pat. No. Des. 825,715.
- (51) **LOC (11) Cl.** **23-01**
- (52) **U.S. Cl.**
USPC **D23/214**
- (58) **Field of Classification Search**
USPC D23/213, 215, 216; 169/41, 37
CPC A62C 31/02; A62C 37/10
See application file for complete search history.

References Cited

U.S. PATENT DOCUMENTS

- 1,255,111 A 1/1918 Buffum
1,273,818 A 7/1918 Buffum
4,732,216 A 3/1988 Polan
D303,138 S 8/1989 Smith
D348,719 S 7/1994 Dolan
5,366,022 A 11/1994 Meyer et al.
5,762,144 A * 6/1998 Lueddecke A62C 31/02
169/37

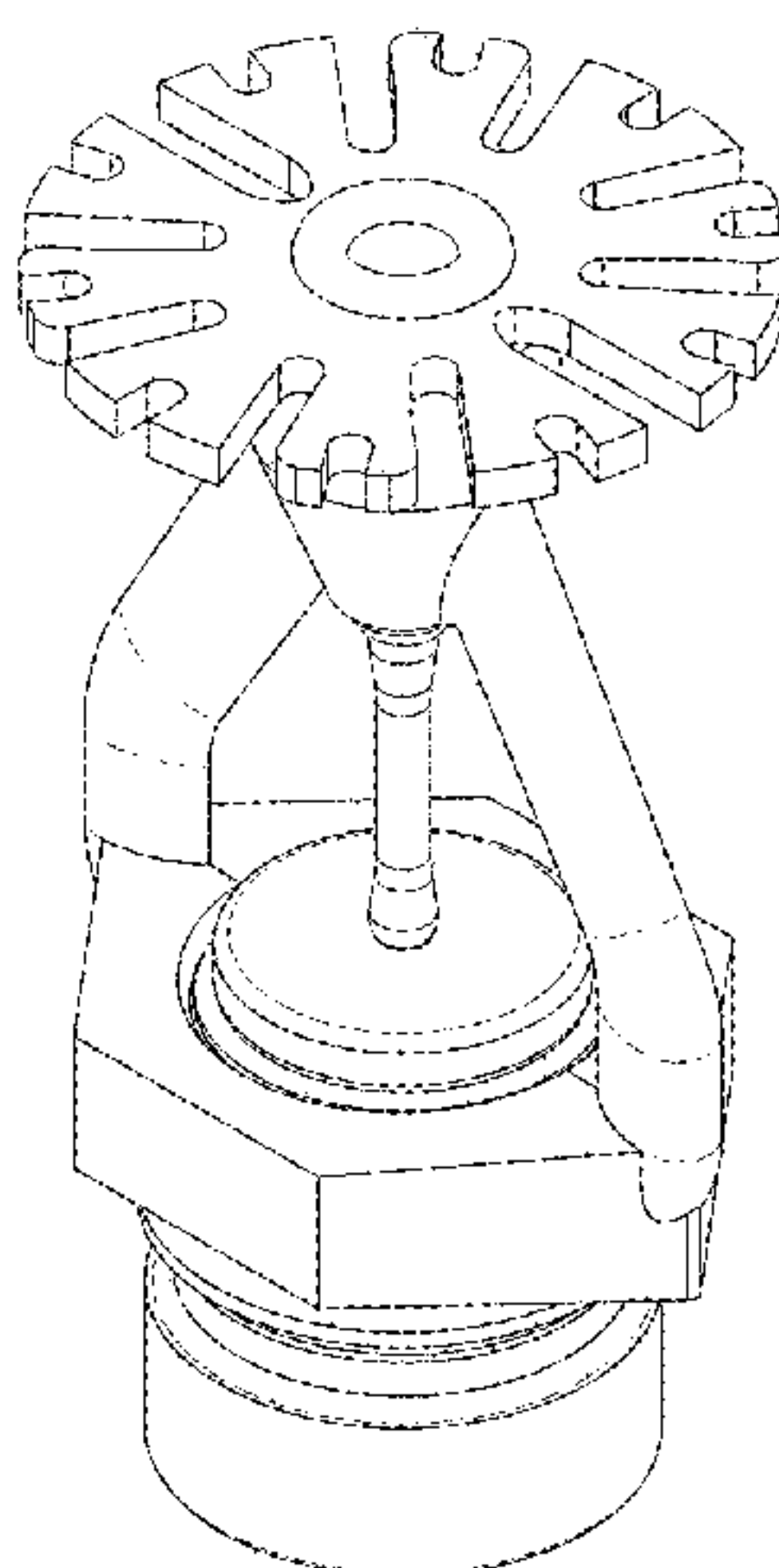
(57) **CLAIM**

We claim the ornamental design for a sprinkler, as shown and described.

DESCRIPTION

FIG. 1 is a perspective view of a sprinkler showing our new design;
 FIG. 2 is a front view of the design of the sprinkler shown in FIG. 1;
 FIG. 3 is a rear view of the design of the sprinkler shown in FIG. 1;
 FIG. 4 is a left side view of the design of the sprinkler shown in FIG. 1;
 FIG. 5 is a right side view of the design of the sprinkler shown in FIG. 1;
 FIG. 6 is a top view of the design of the sprinkler shown in FIG. 1; and,
 FIG. 7 is a bottom view of the design of the sprinkler shown in FIG. 1.

1 Claim, 7 Drawing Sheets



(56)

References Cited

U.S. PATENT DOCUMENTS

7,819,201 B2 * 10/2010 Pounder A62C 37/11
169/16
D699,321 S * 2/2014 Karihara A62C 31/02
D23/214
8,662,190 B2 3/2014 Watson
D726,871 S * 4/2015 Keynan A62C 31/02
D23/214
9,086,180 B2 7/2015 Porta
D748,224 S 1/2016 Holmes
D781,399 S * 3/2017 Koiwa A62C 31/02
D23/214
9,782,614 B2 10/2017 Chen
9,849,320 B2 12/2017 Ringer
D825,715 S * 8/2018 Bancroft A62C 31/02
D23/214
2011/0214886 A1 9/2011 Orr

* cited by examiner

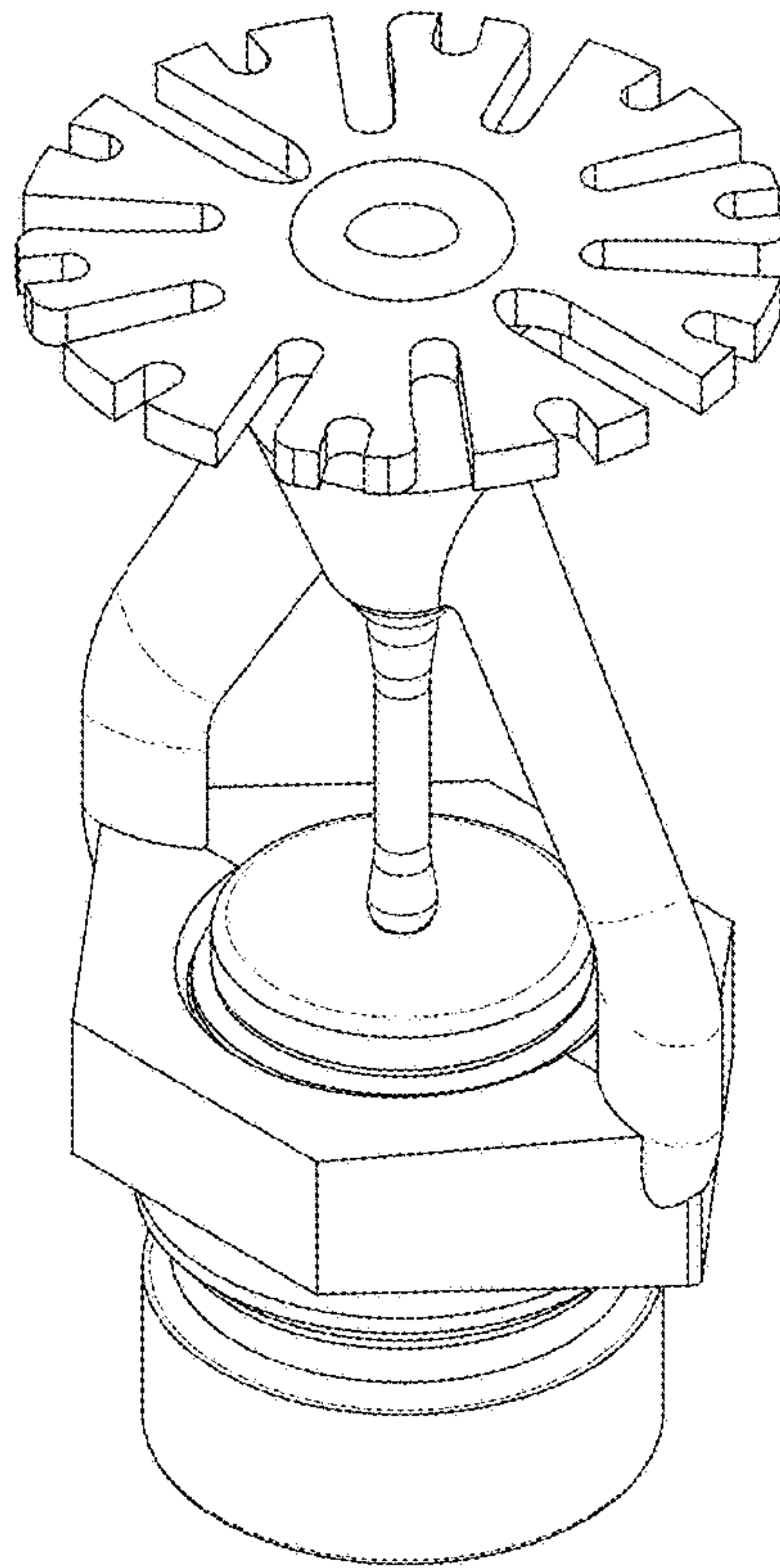


FIG. 1

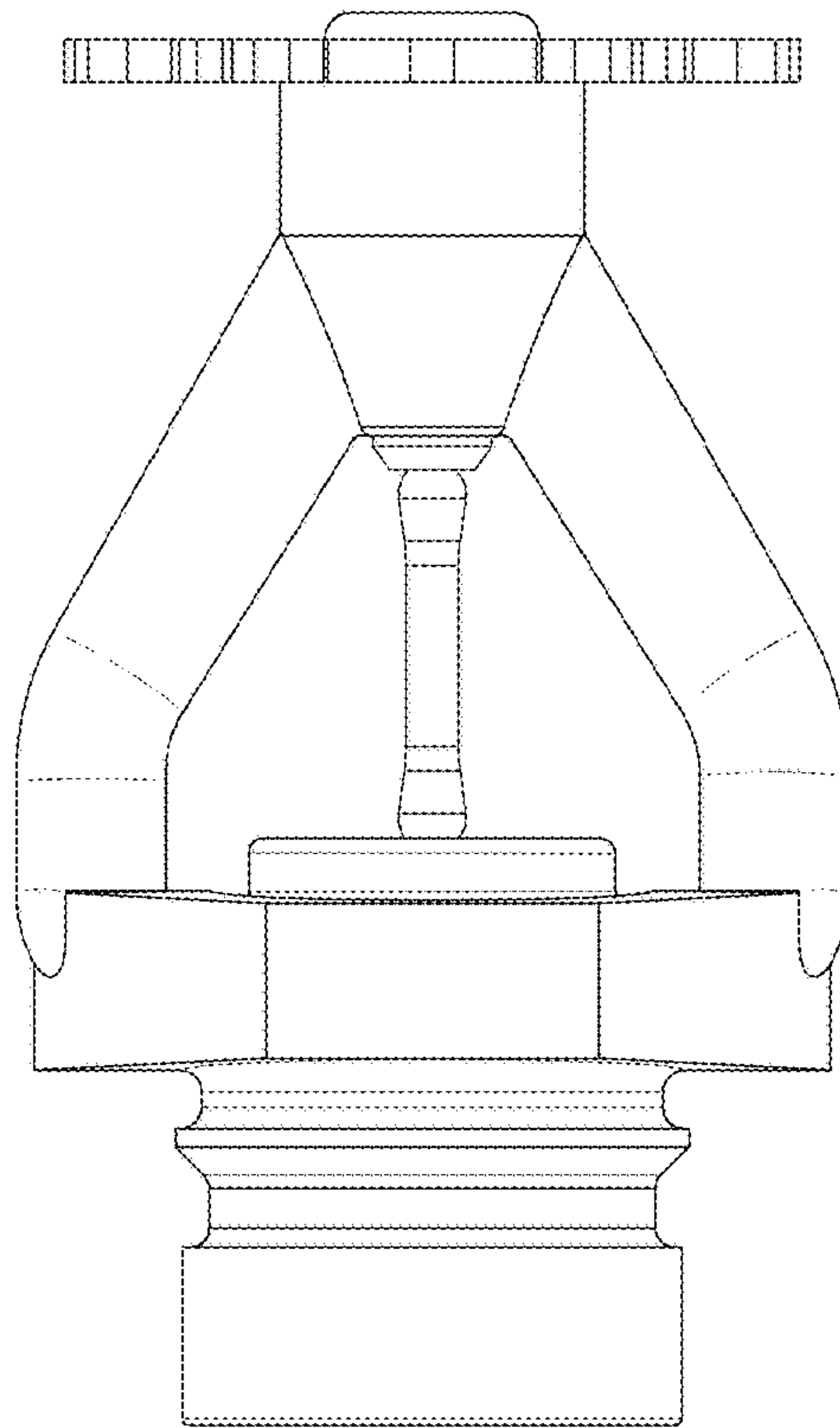


FIG. 2

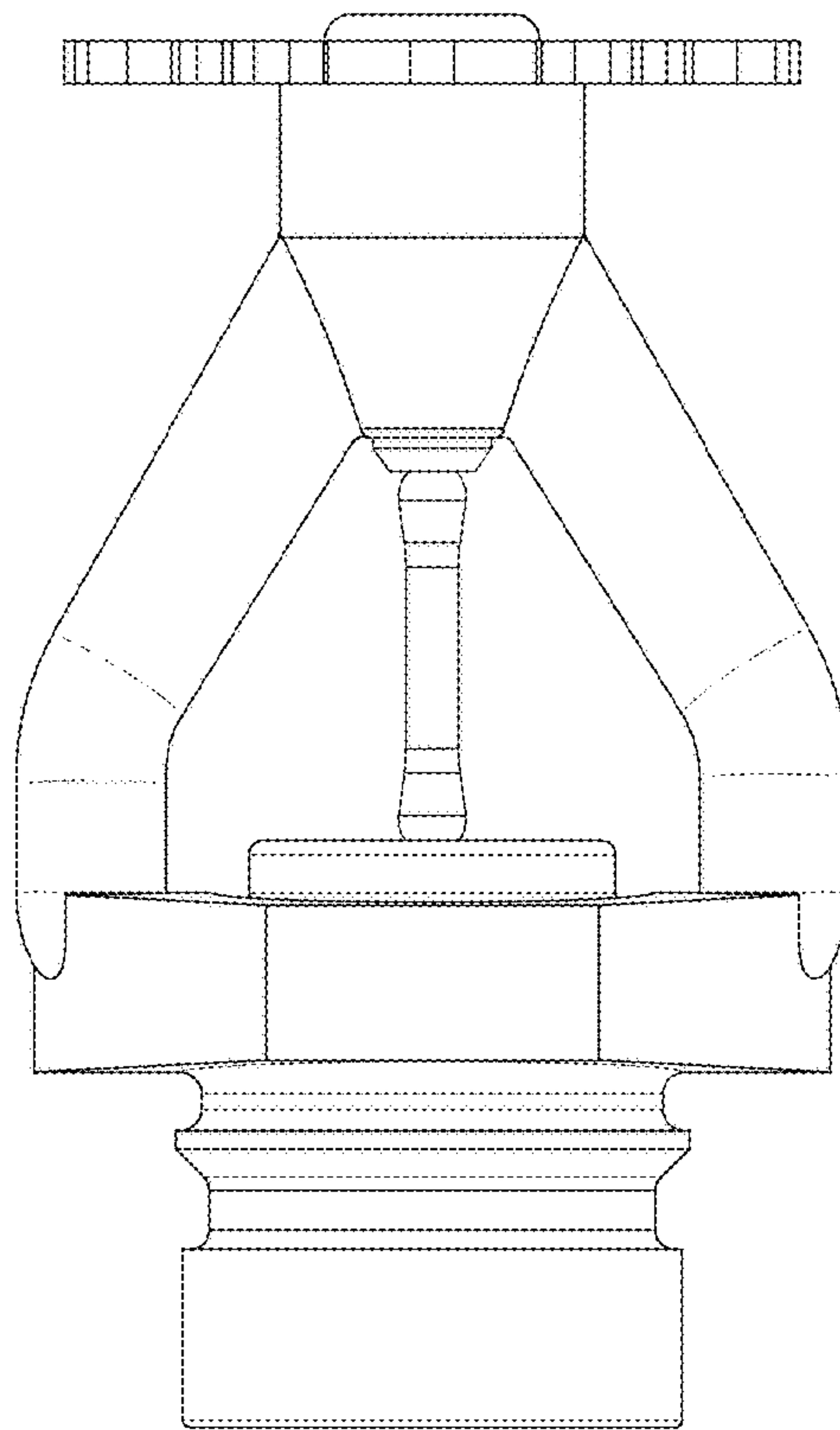


FIG. 3

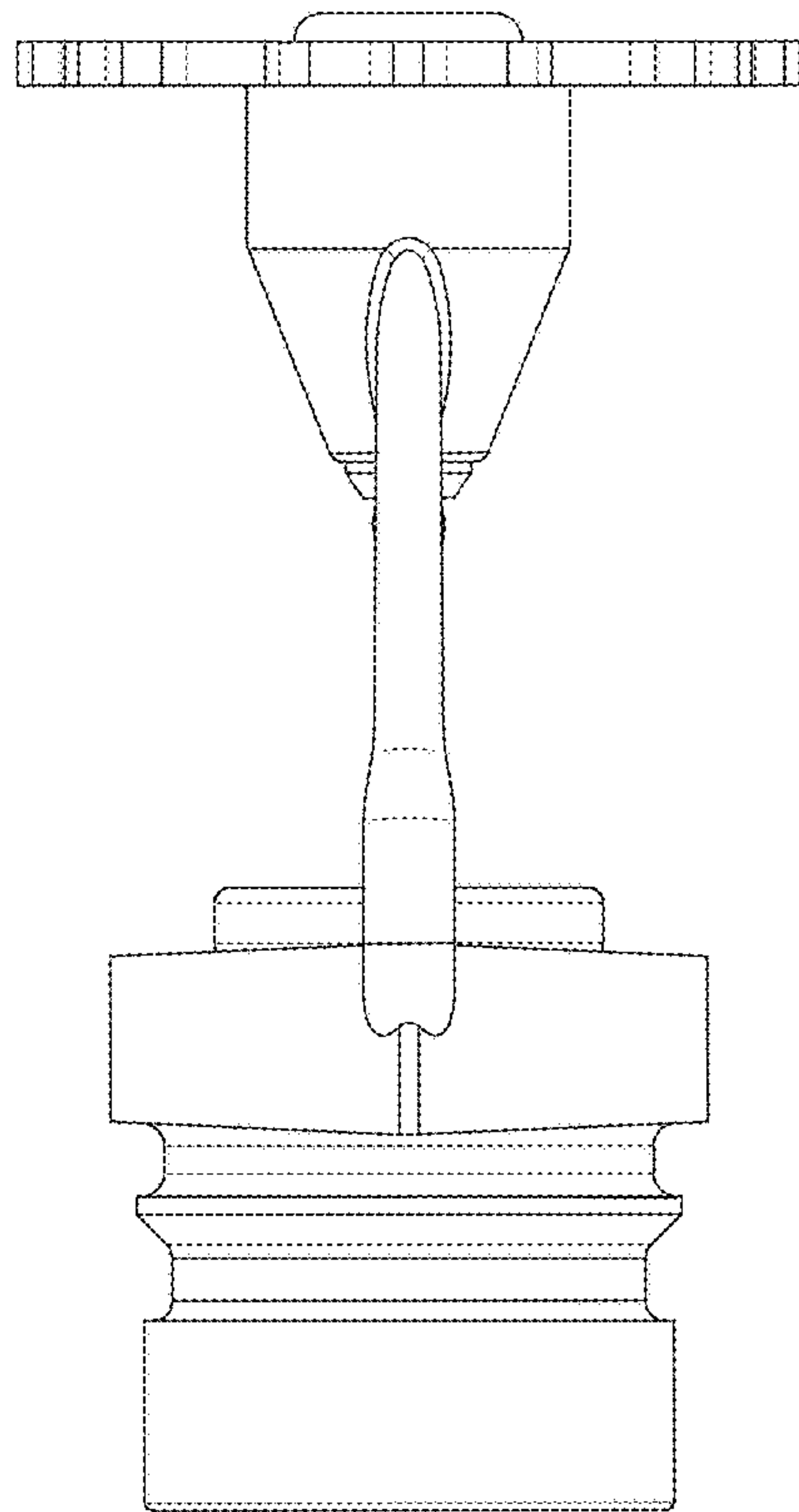


FIG. 4

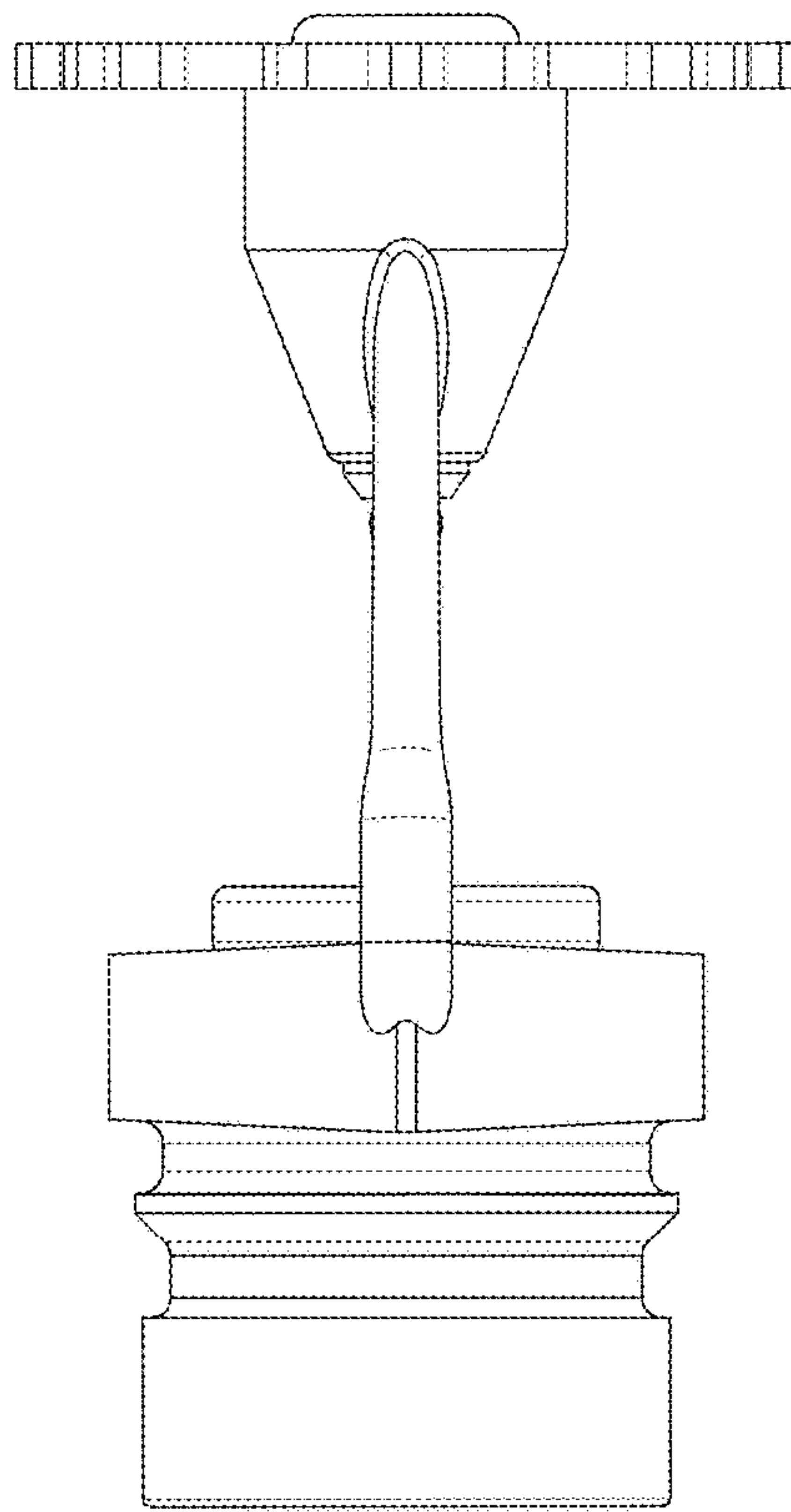


FIG. 5

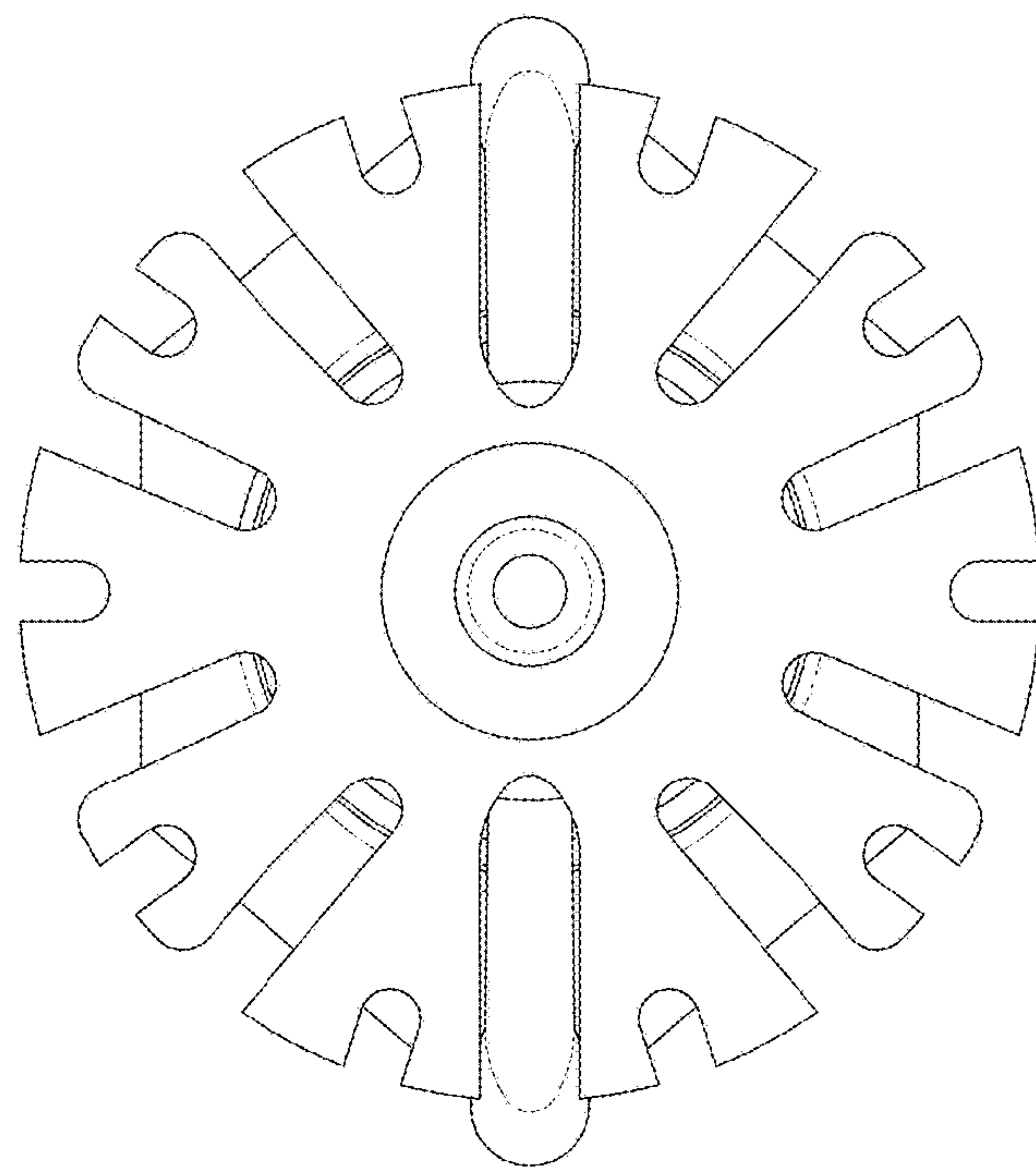


FIG. 6

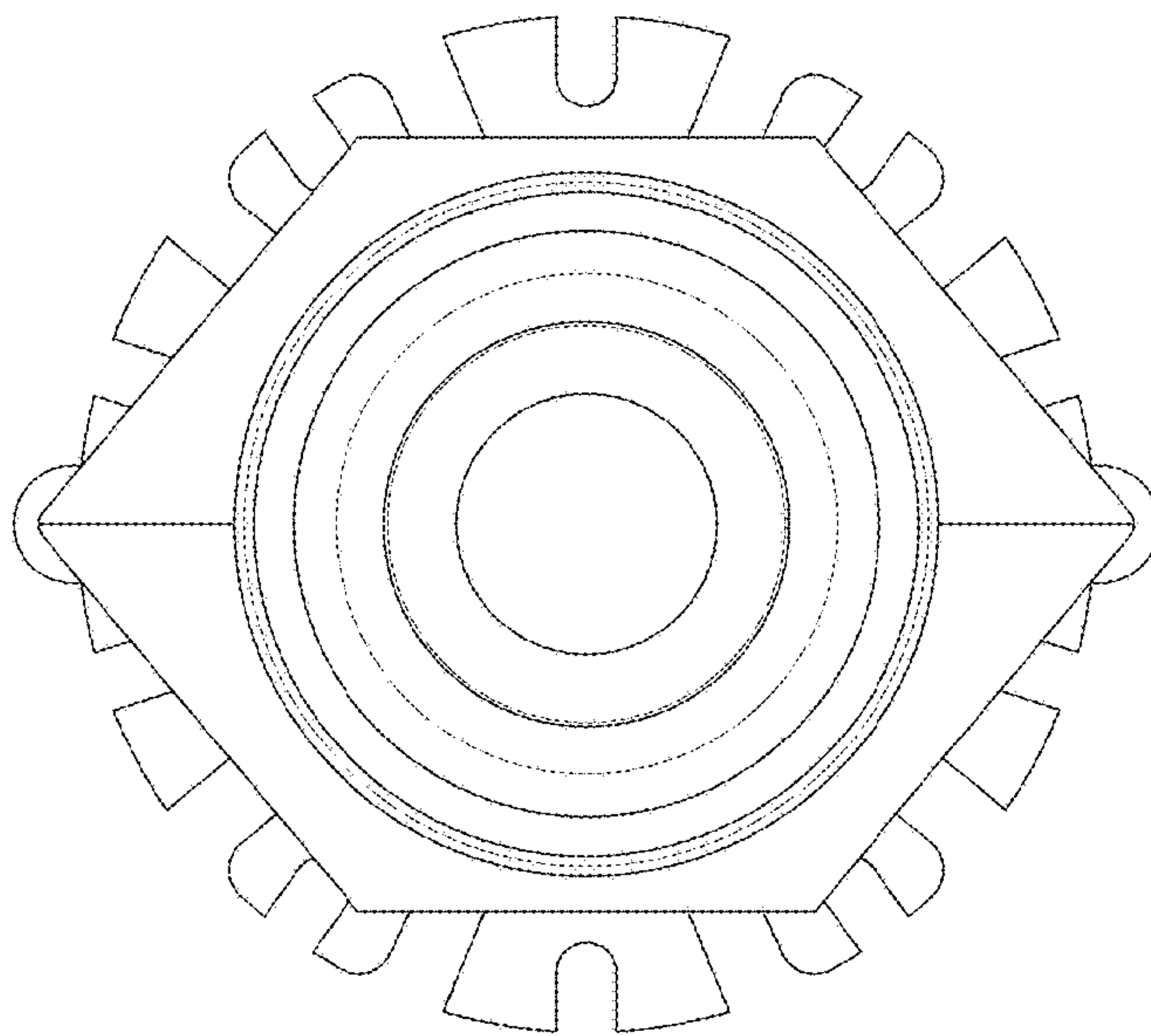


FIG. 7