



US00D841121S

(12) **United States Design Patent** (10) **Patent No.:** **US D841,121 S**
Kiefer et al. (45) **Date of Patent:** **** Feb. 19, 2019**

(54) **FLUID DISTRIBUTION EQUIPMENT**

(71) Applicant: **NEOPERL GMBH**, Müllheim (DE)

(72) Inventors: **Thomas Kiefer**, Neuenburg (DE);
Michael Steinbrunner, Neuenburg (DE)

(73) Assignee: **Neoperl GmbH**, Müllheim (DE)

(**) Term: **15 Years**

(21) Appl. No.: **35/502,691**

(22) Filed: **Mar. 7, 2017**

(80) **Hague Agreement Data**

Int. Filing Date: **Mar. 7, 2017**

Int. Reg. No.: **DM/095264**

Int. Reg. Date: **Mar. 7, 2017**

Int. Reg. Pub. Date: **Mar. 24, 2017**

(51) **LOC (11) Cl.** **23-01**

(52) **U.S. Cl.**
USPC **D23/213**

(58) **Field of Classification Search**
USPC D23/213, 229, 233, 235, 247-249
CPC B05B 7/0425; E03C 1/08; E03C 1/084;
E03C 1/086; E03C 2001/026
See application file for complete search history.

(56) **References Cited**

U.S. PATENT DOCUMENTS

D192,906 S *	5/1962	Gross	D23/213
D322,837 S *	12/1991	Woodruff	D23/213
D525,683 S *	7/2006	Schaffeld	D23/255
D526,391 S *	8/2006	Schaffeld	D23/255
D527,080 S *	8/2006	Schaffeld	D23/255
D537,916 S *	3/2007	Buttgen	D23/213
D728,738 S *	5/2015	Birmelin	D23/213

* cited by examiner

Primary Examiner — Keli L Hill

(74) *Attorney, Agent, or Firm* — Volpe and Koenig, P.C.

(57) **CLAIM**

The ornamental design for a fluid distribution equipment, as shown and described.

DESCRIPTION

1. Fluid distribution equipment

1.1 : Top

1.2 : Perspective

1.3: Bottom

1.4 : Perspective

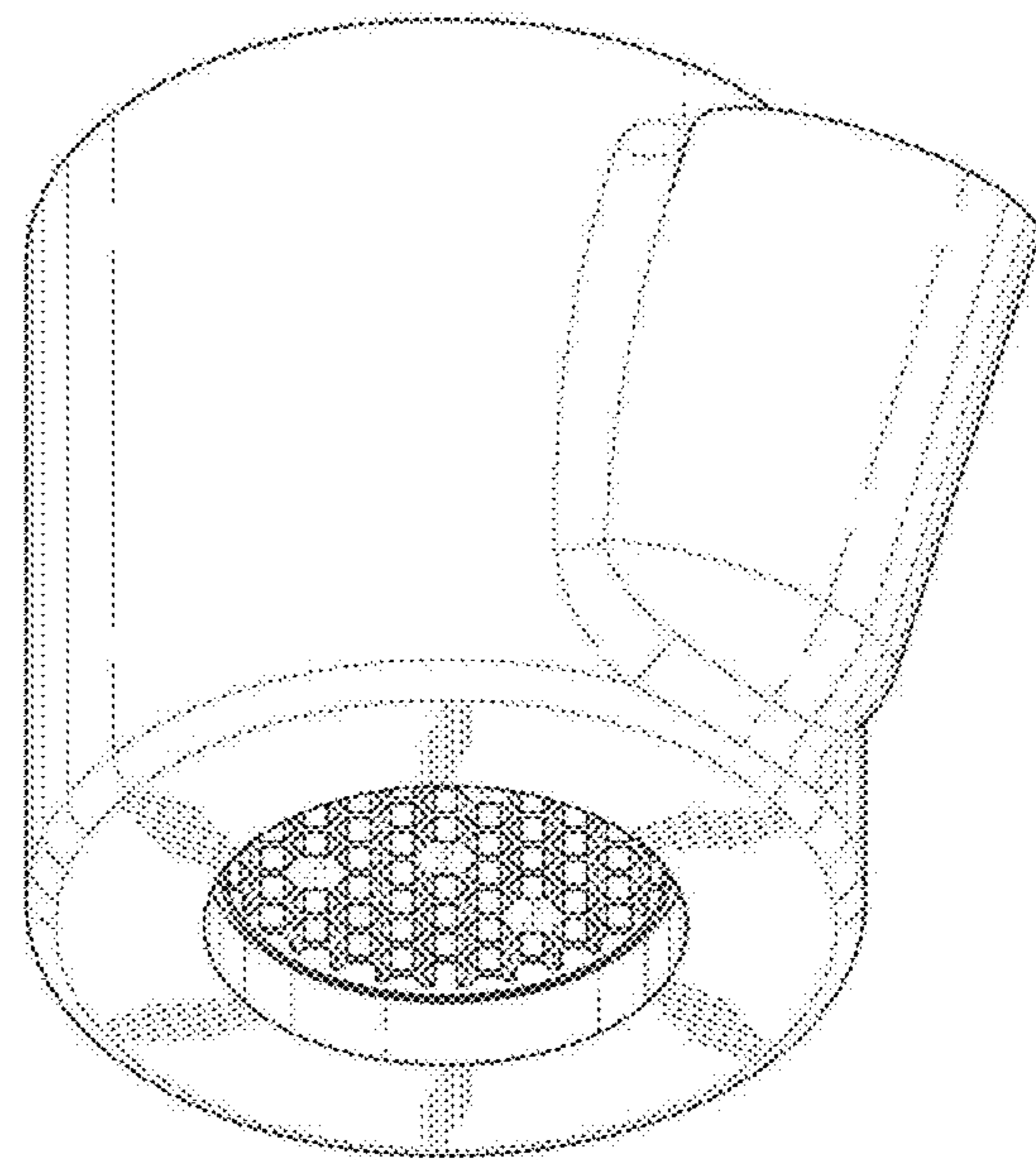
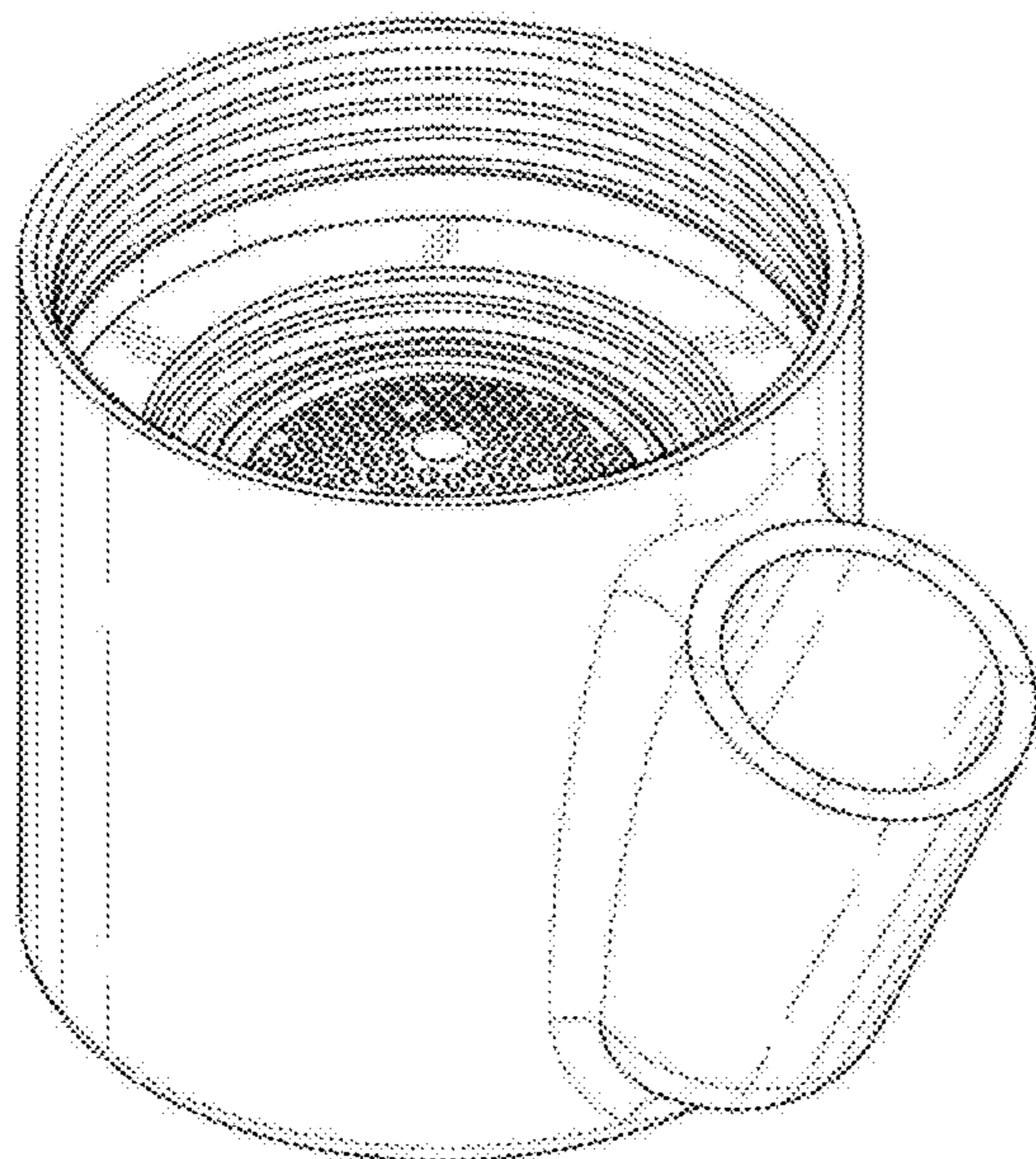
1.5 : Right

1.6 : Left

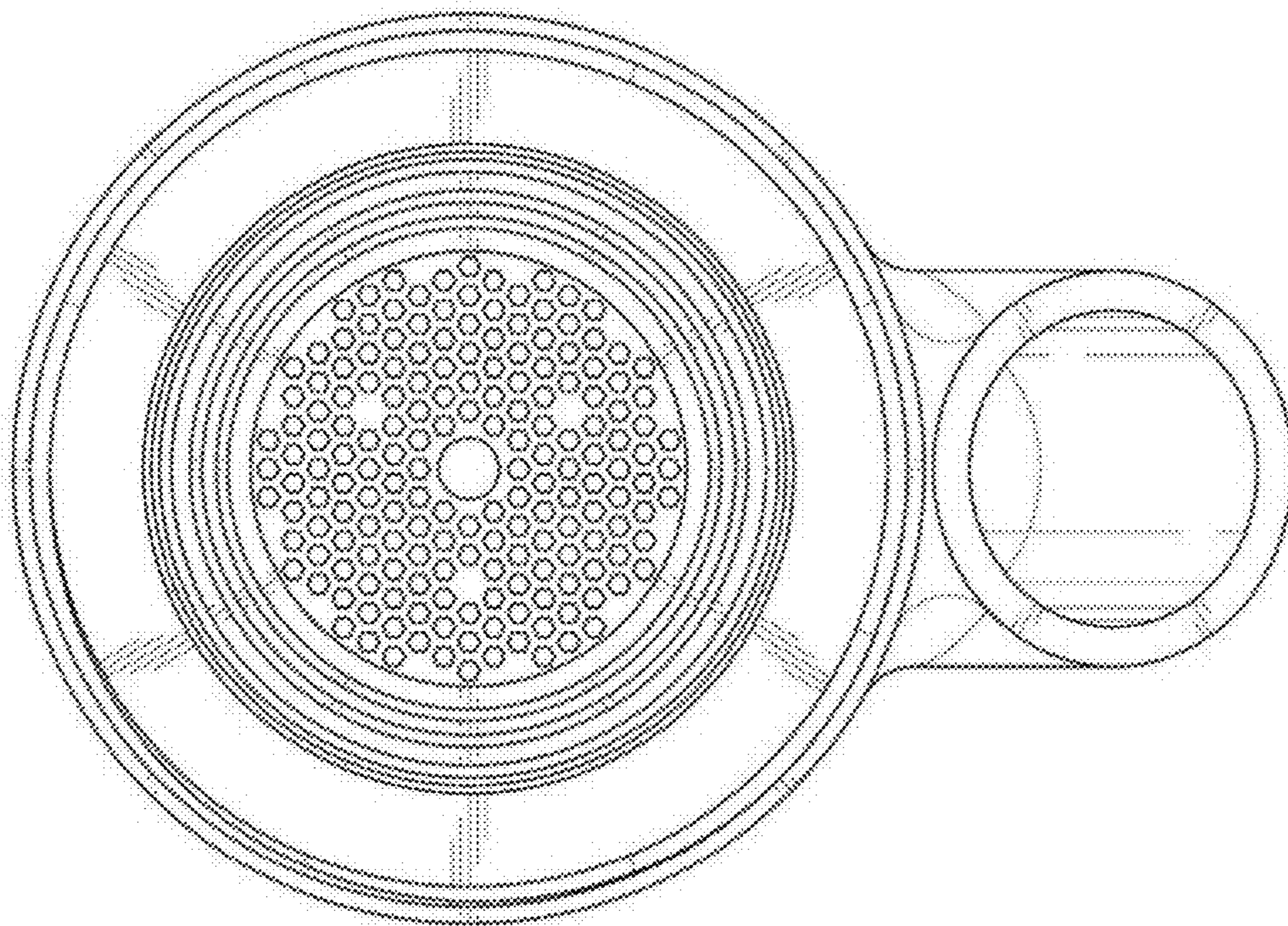
1.7: Back

1.8: Front

1 Claim, 8 Drawing Sheets



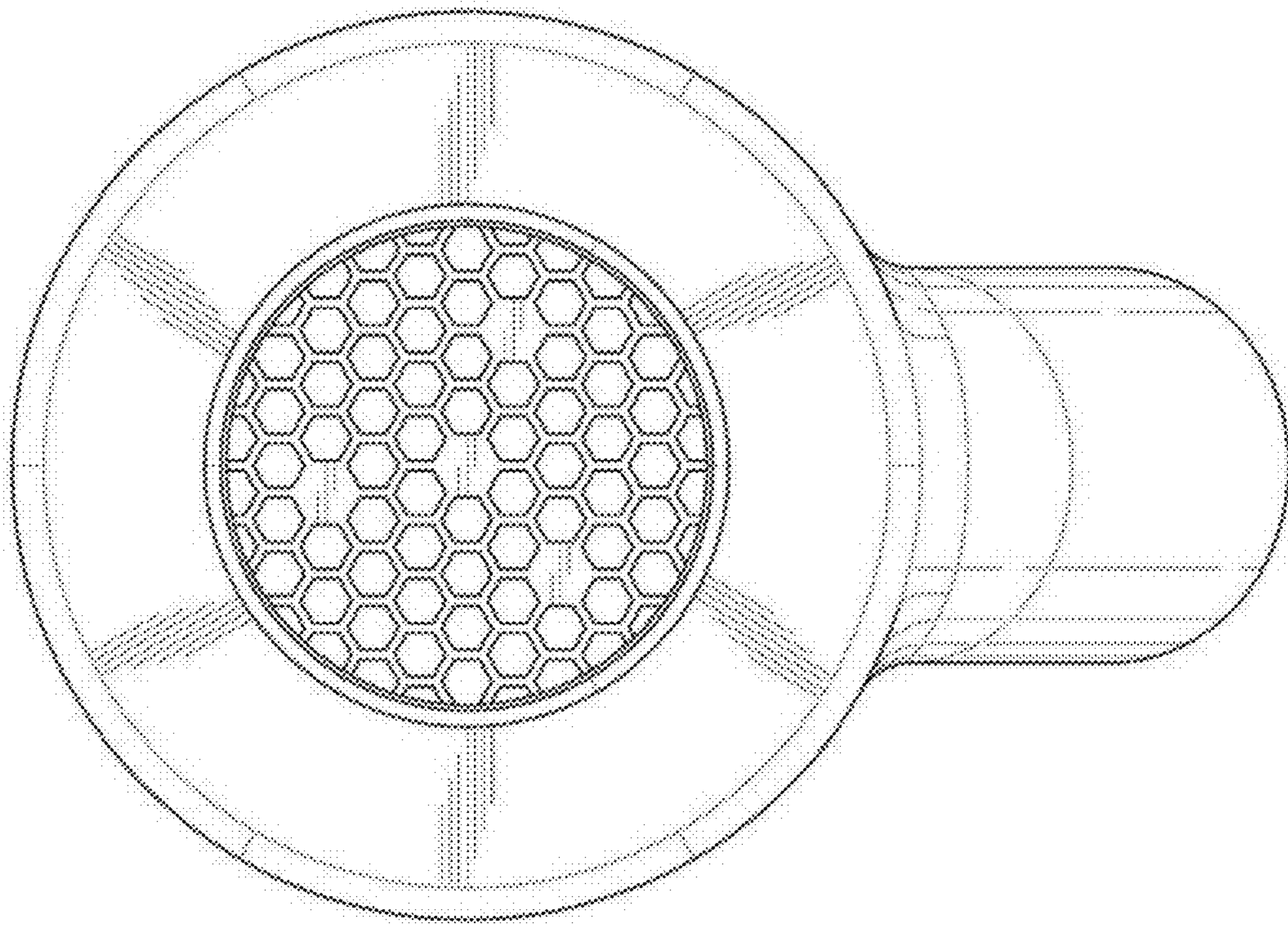
1.1



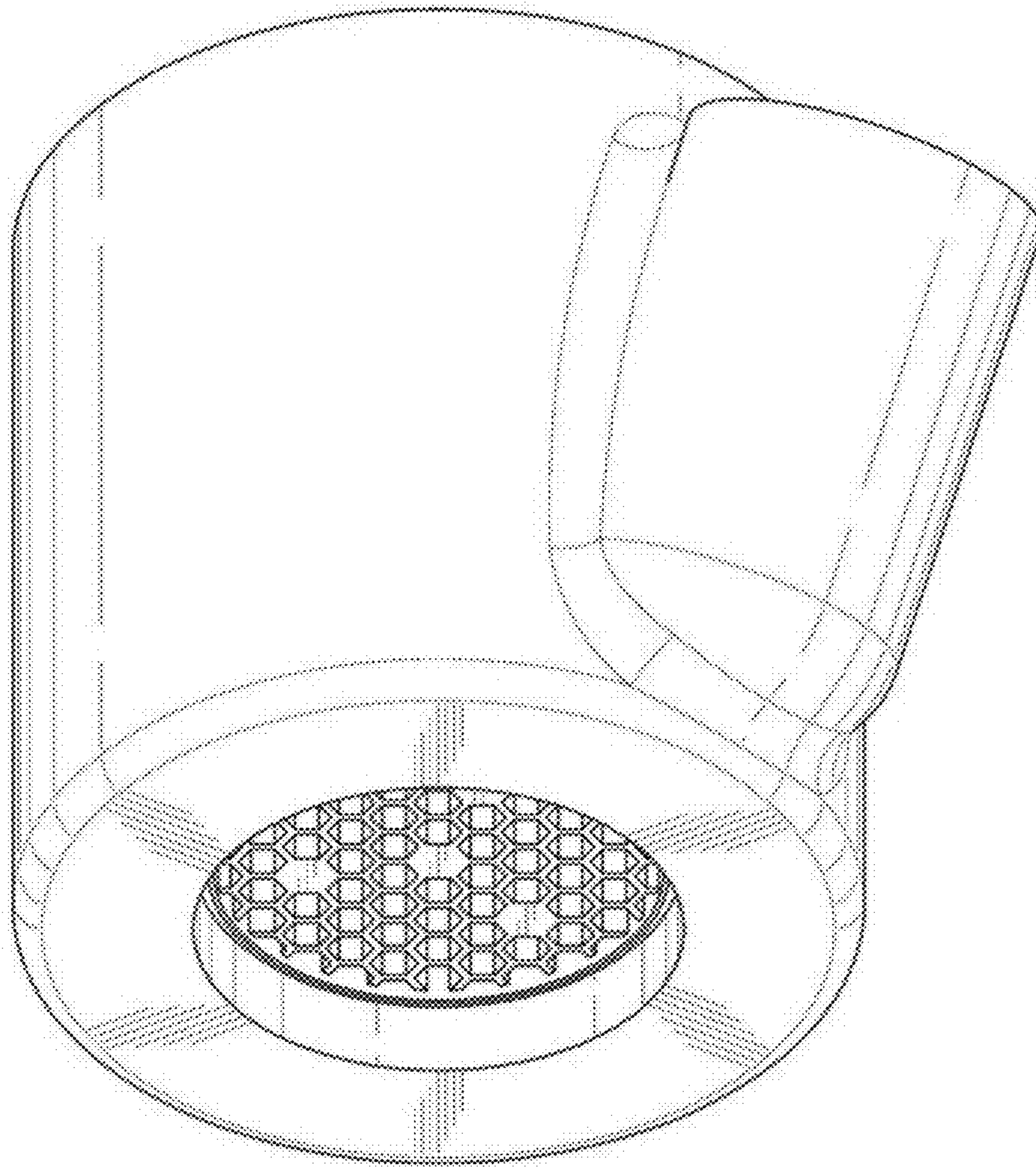
1.2



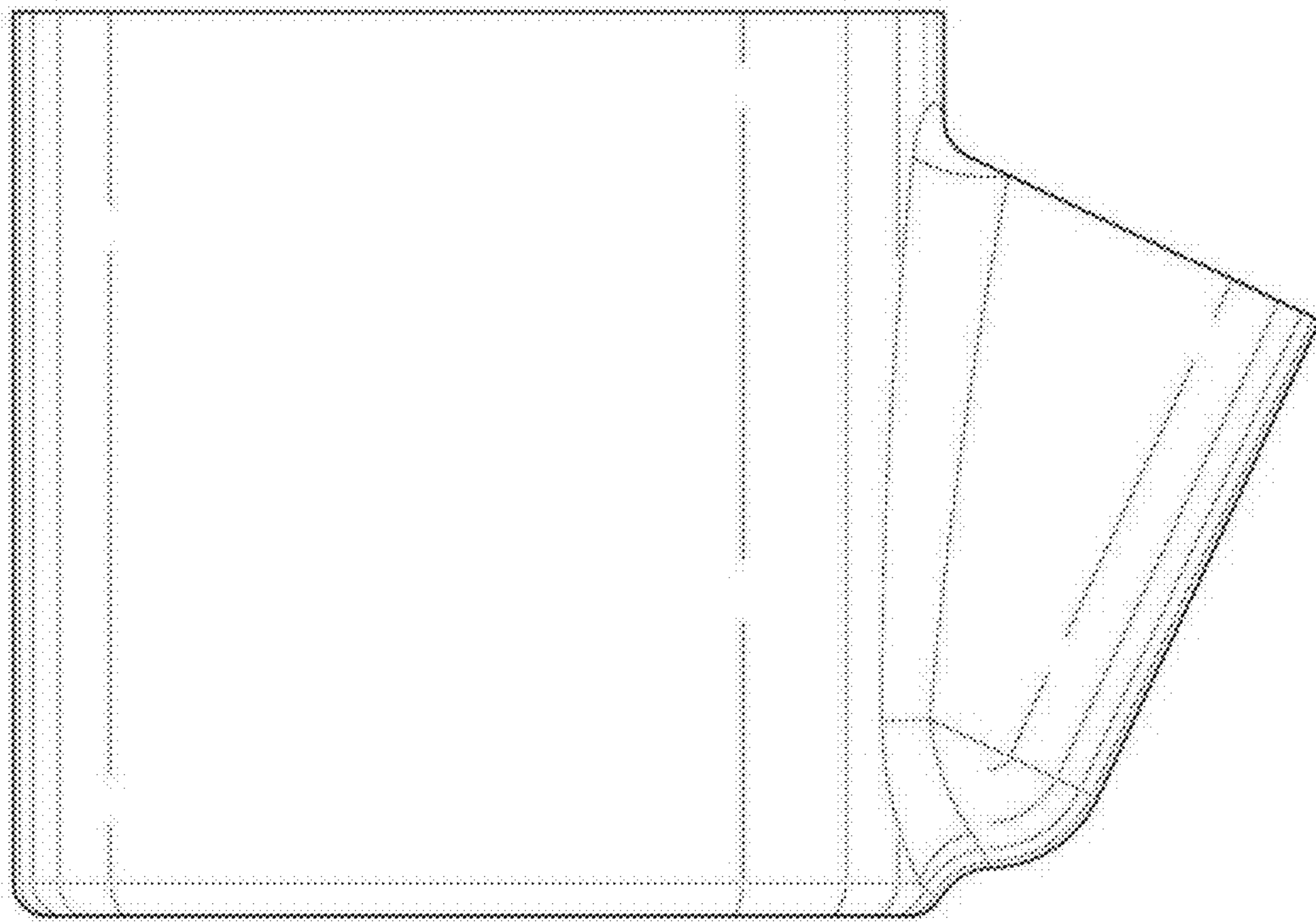
1.3



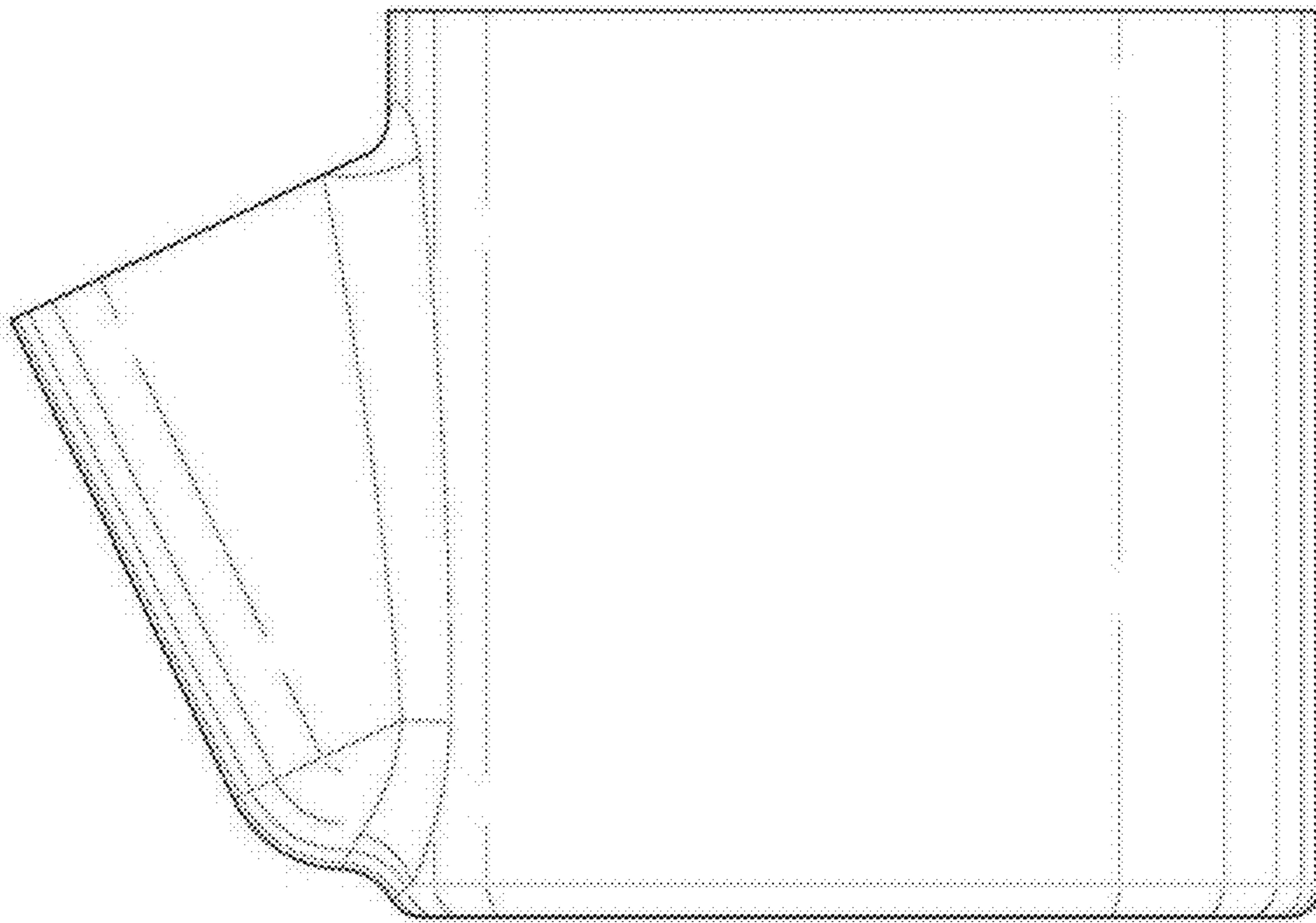
1.4



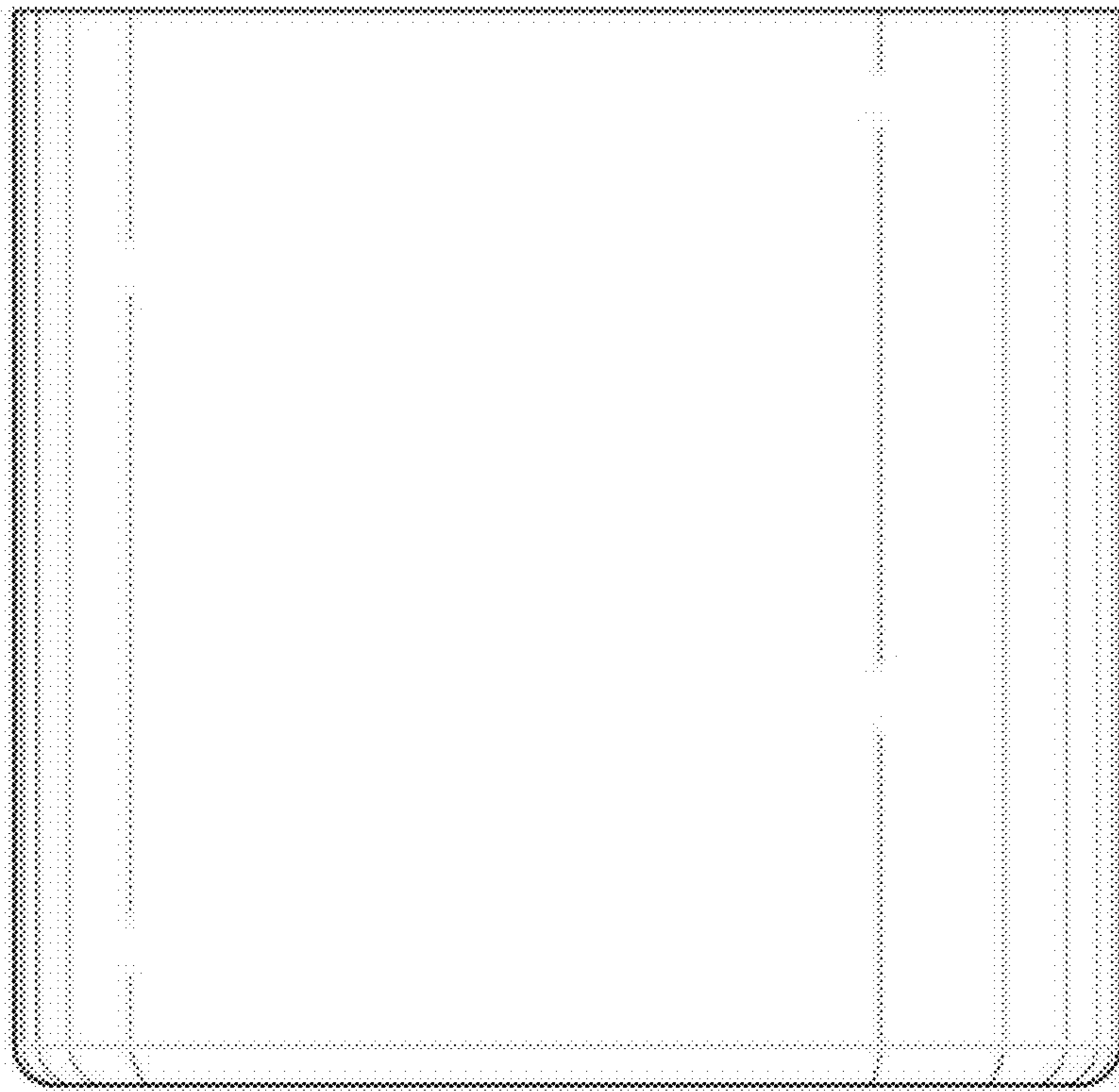
1.5



1.6



1.7



1.8

