



US00D841119S

(12) **United States Design Patent** (10) **Patent No.:** **US D841,119 S**  
**Huang** (45) **Date of Patent:** **\*\* Feb. 19, 2019**

(54) **DISTILLATION HEAD**

FOREIGN PATENT DOCUMENTS

(71) Applicant: **ACROSS INTERNATIONAL LLC**,  
Livingston, NJ (US)

CN 203916128 U 11/2014  
CN 205550327 U 9/2016

(72) Inventor: **Rentian Huang**, Livingston, NJ (US)

OTHER PUBLICATIONS

(\*\*) Term: **15 Years**

<https://www.opensourcesteel.com/collections/glassware/products/jacketed-short-path-distillation-head?variant=17198191875>. Accessed on Dec. 2, 2016.

(21) Appl. No.: **29/590,915**

(Continued)

(22) Filed: **Jan. 13, 2017**

(51) **LOC (11) Cl.** ..... **23-01**

*Primary Examiner* — Robin V Webster

(52) **U.S. Cl.**

(74) *Attorney, Agent, or Firm* — Gearhart Law, LLC

USPC ..... **D23/207**

(57) **CLAIM**

(58) **Field of Classification Search**

The ornamental design for a distillation head, as shown and described.

USPC ..... D23/207, 209; 202/81, 87  
CPC . B01D 3/32; B01D 5/005; B01D 3/04; B01D  
3/008; B01D 3/00; C02F 1/04

**DESCRIPTION**

See application file for complete search history.

FIG. 1 is a perspective view of a first embodiment of the distillation head.

(56) **References Cited**

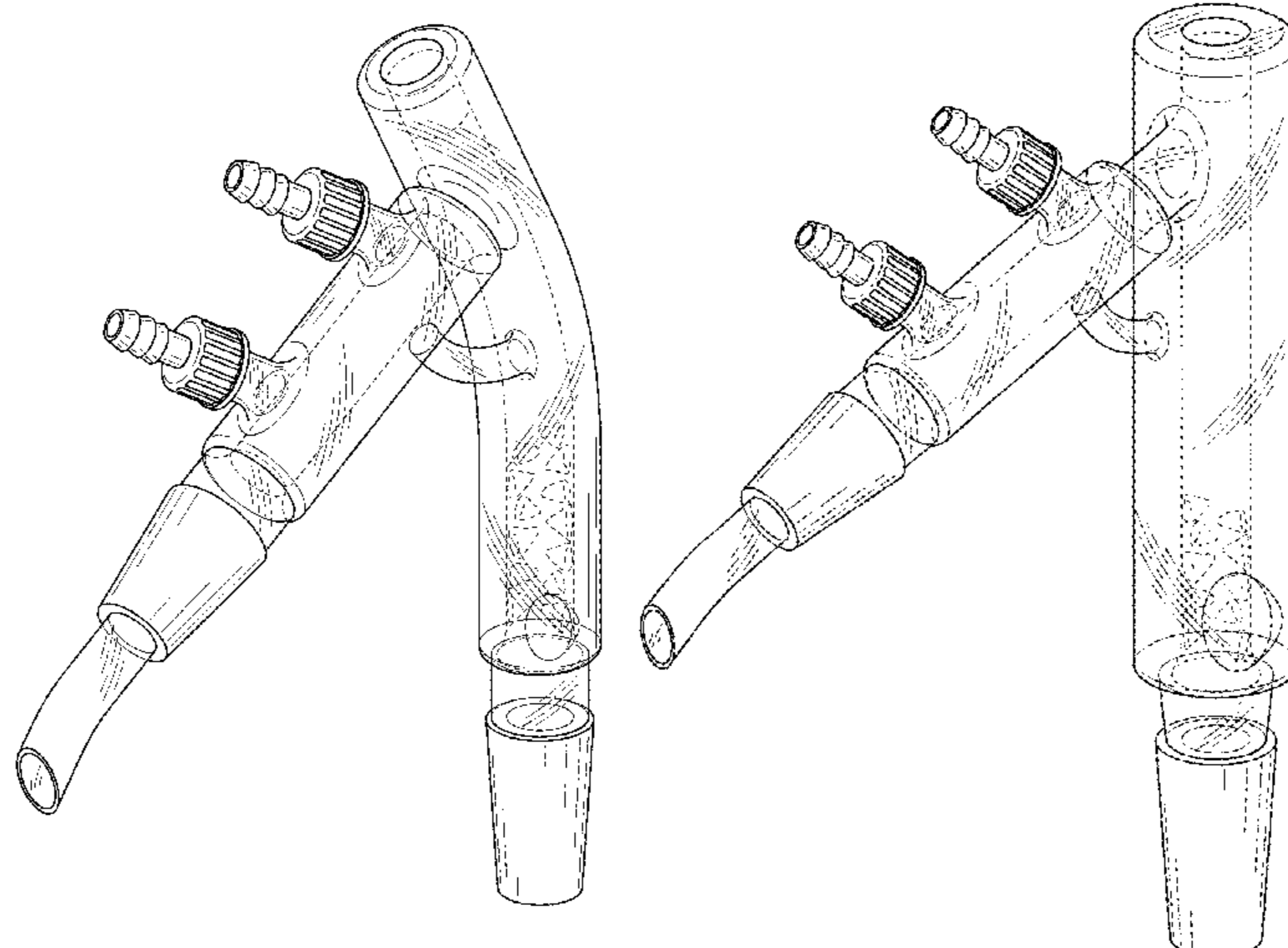
U.S. PATENT DOCUMENTS

1,970,346 A	8/1934	Symons	
D173,603 S *	12/1954	Atkinson	210/94
3,672,959 A	6/1972	Sweet	
3,830,705 A	8/1974	Dewegeli	
3,980,526 A	9/1976	Kirschman	
D249,051 S	8/1978	Hansrote	
D249,052 S	8/1978	Hansrote	
D249,053 S	8/1978	Hansrote	
D249,054 S	8/1978	Hansrote	
D249,055 S	8/1978	Hansrote	
D249,056 S	8/1978	Hansrote	
D249,057 S	8/1978	Hansrote	
4,157,967 A	6/1979	Meyst et al.	
4,159,817 A	7/1979	Ikawa	
D254,441 S	3/1980	Lemoine	
4,385,988 A	5/1983	Hypponen	
4,417,565 A	11/1983	Karpinia	
4,425,285 A	1/1984	Shimoi et al.	
4,511,519 A	4/1985	Hsia	

(Continued)

FIG. 2 is a front view of FIG. 1.  
FIG. 3 is a back view of FIG. 1.  
FIG. 4 is a left side view of FIG. 1.  
FIG. 5 is a right side view of FIG. 1.  
FIG. 6 is a top view of FIG. 1.  
FIG. 7 is a bottom view of FIG. 1.  
FIG. 8 is a perspective view of a second embodiment of the distillation head.  
FIG. 9 is a front view of FIG. 8.  
FIG. 10 is a back view of FIG. 8.  
FIG. 11 is a left side view of FIG. 8.  
FIG. 12 is a right side view of FIG. 8.  
FIG. 13 is a top view of FIG. 8; and,  
FIG. 14 is a bottom view of FIG. 8.  
The dashed lines shown in the drawings illustrate internal structures visible via the transparency of the distillation head, the dashed lines as indicated form no part of the claimed design.

**1 Claim, 10 Drawing Sheets**



(56)

References Cited

U.S. PATENT DOCUMENTS

D293,128 S 12/1987 Karamian  
 D293,368 S 12/1987 Karamian  
 4,747,538 A 5/1988 Dunn et al.  
 D303,703 S 9/1989 Padilla et al.  
 D306,338 S 2/1990 Rempe et al.  
 D313,062 S 12/1990 Palmer  
 D314,225 S 1/1991 Palmer et al.  
 D316,739 S 5/1991 Erickson et al.  
 D318,917 S 8/1991 Karamian  
 D339,862 S 9/1993 Weber et al.  
 D344,671 S 3/1994 Schaumburg  
 5,411,707 A \* 5/1995 Hiatt ..... B01D 3/10  
 422/68.1  
 5,489,532 A 2/1996 Charm et al.  
 D389,556 S 1/1998 Feldman et al.  
 D392,368 S 3/1998 Micholy  
 D412,550 S 8/1999 Bell  
 D415,818 S 10/1999 Kruepke et al.  
 D420,425 S 2/2000 Micholey et al.  
 6,053,422 A 4/2000 Polzin et al.  
 D425,174 S 5/2000 Swancara  
 D444,204 S 6/2001 Hilgers et al.  
 D444,843 S 7/2001 Hilgers et al.  
 D444,844 S 7/2001 Hilgers et al.  
 D444,845 S 7/2001 Hilgers et al.  
 6,290,819 B1 9/2001 Land  
 D455,813 S 4/2002 Mount

D458,340 S 6/2002 Lindahl  
 D465,012 S 10/2002 Tauzer  
 6,644,560 B2 11/2003 Polzin et al.  
 D499,166 S 11/2004 Weidmann  
 D595,391 S 6/2009 Weltman  
 D625,777 S 10/2010 Loffler  
 D654,558 S 2/2012 Zeng  
 D673,673 S 1/2013 Wang  
 8,496,234 B1 \* 7/2013 Govindan ..... B01D 1/0058  
 261/128  
 D690,800 S 10/2013 Ren  
 D705,391 S 5/2014 Okazaki  
 D706,386 S 6/2014 Amber et al.  
 D707,792 S 6/2014 Collins et al.  
 D715,894 S 10/2014 Meder  
 D720,425 S 12/2014 Caldwell  
 D727,460 S 4/2015 Collins et al.  
 D731,615 S 6/2015 Ambler et al.  
 D775,310 S \* 12/2016 Kremerman ..... D23/207  
 D776,238 S \* 1/2017 Kremerman ..... D23/207  
 D802,084 S \* 11/2017 Kremerman ..... D23/207  
 D802,085 S \* 11/2017 Kremerman ..... D23/207  
 D805,599 S \* 12/2017 Kremerman ..... D23/207

OTHER PUBLICATIONS

<http://www.hisilglass.com/distillation-head-product.html>. Accessed on Dec. 2, 2016.

\* cited by examiner

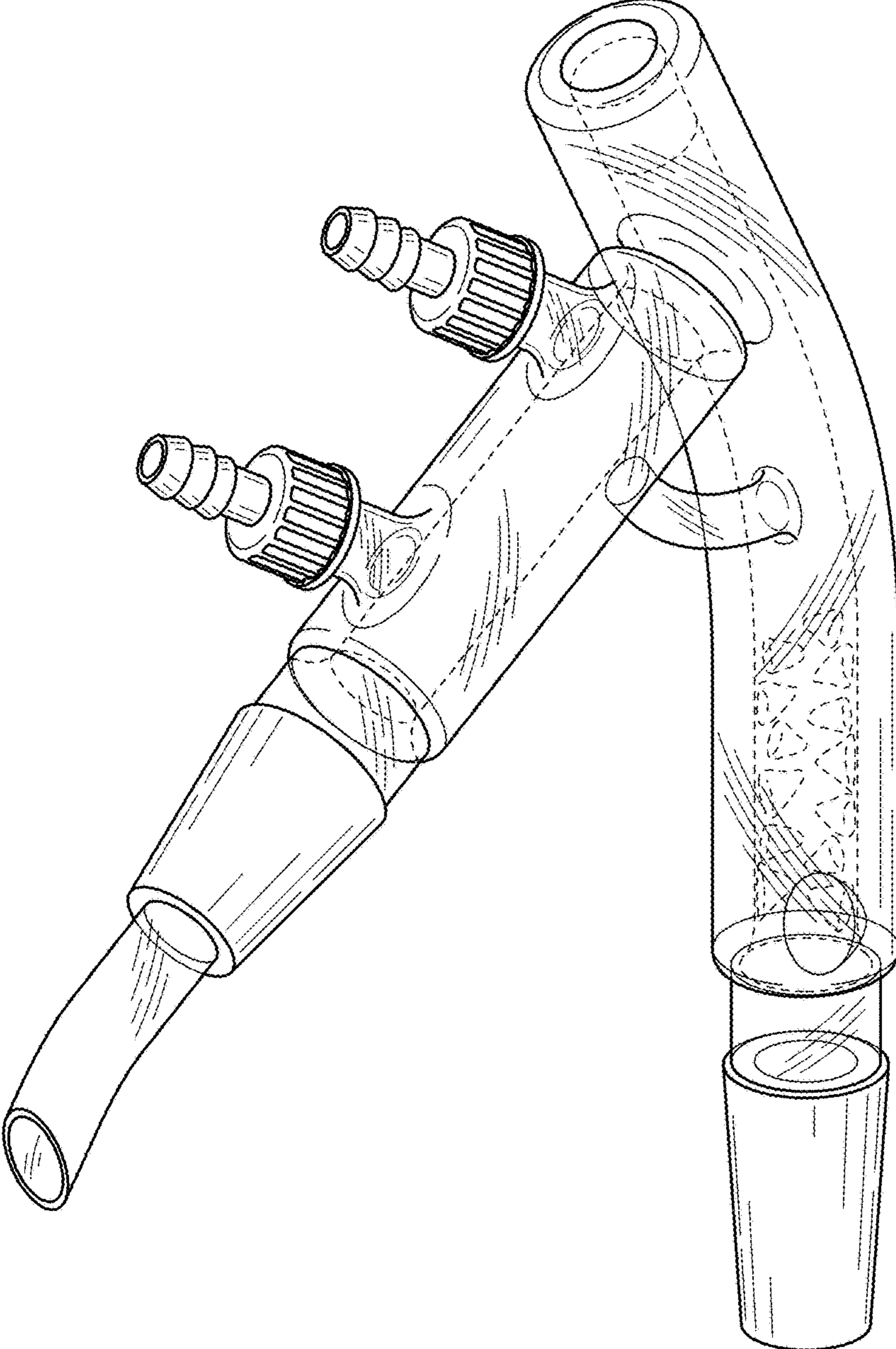


FIG. 1

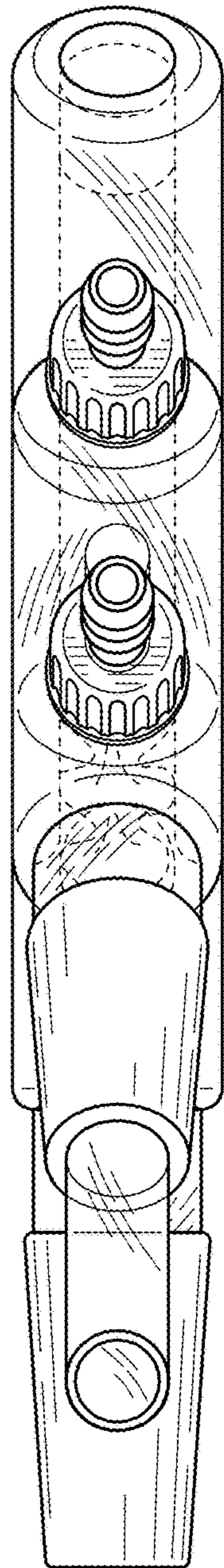


FIG. 2

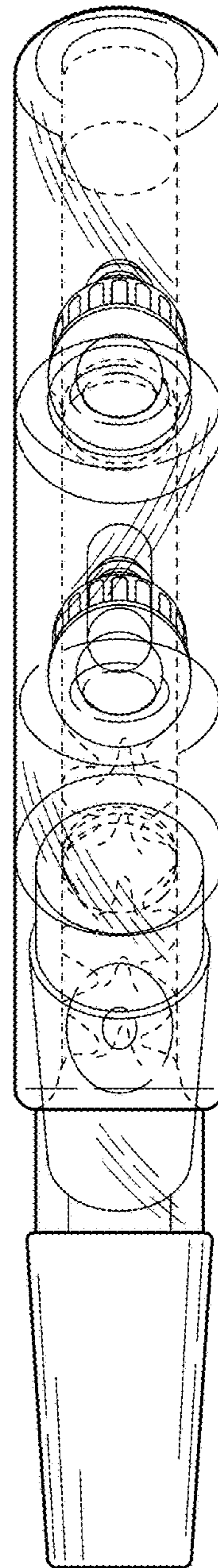


FIG. 3

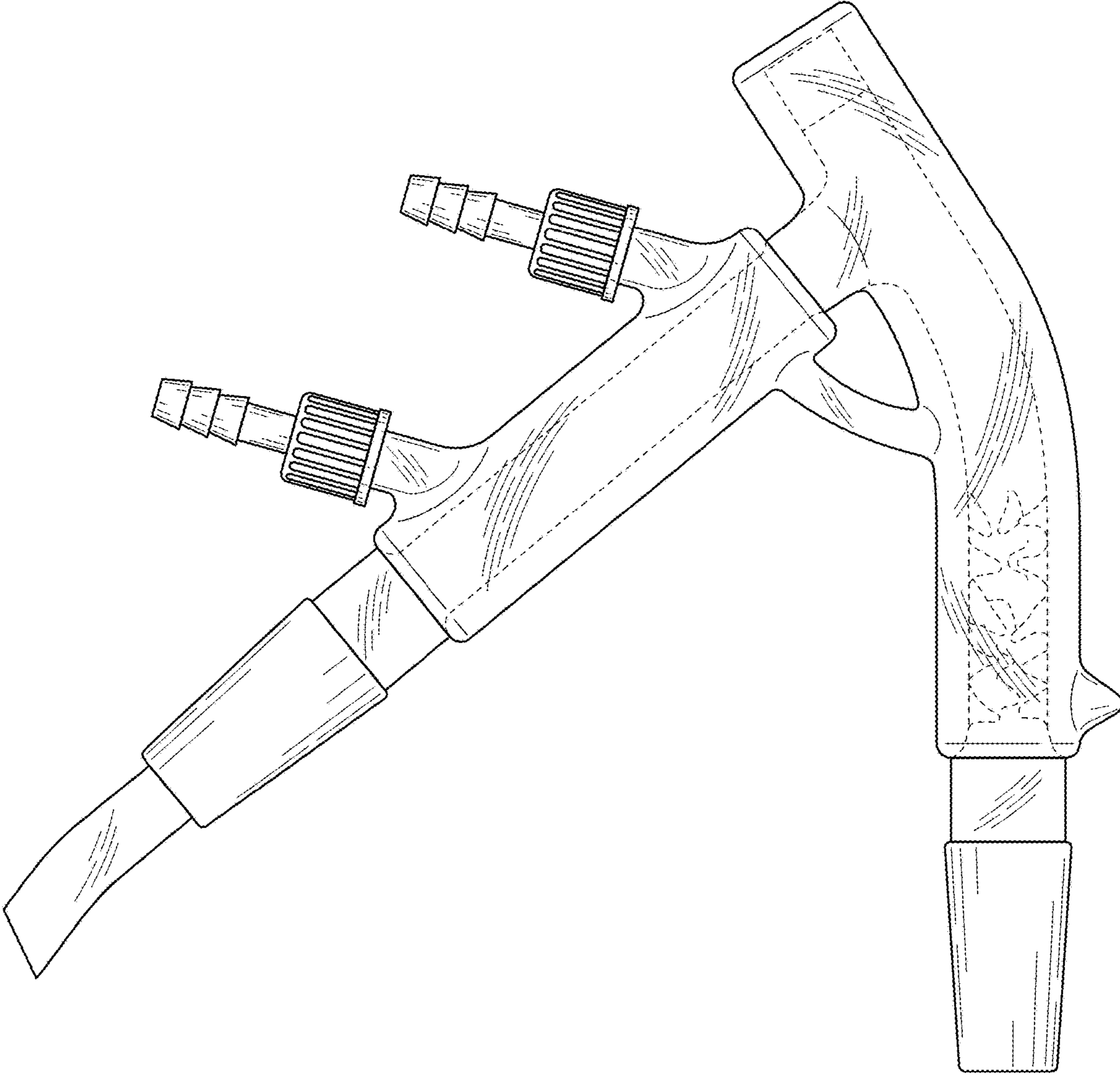


FIG. 4

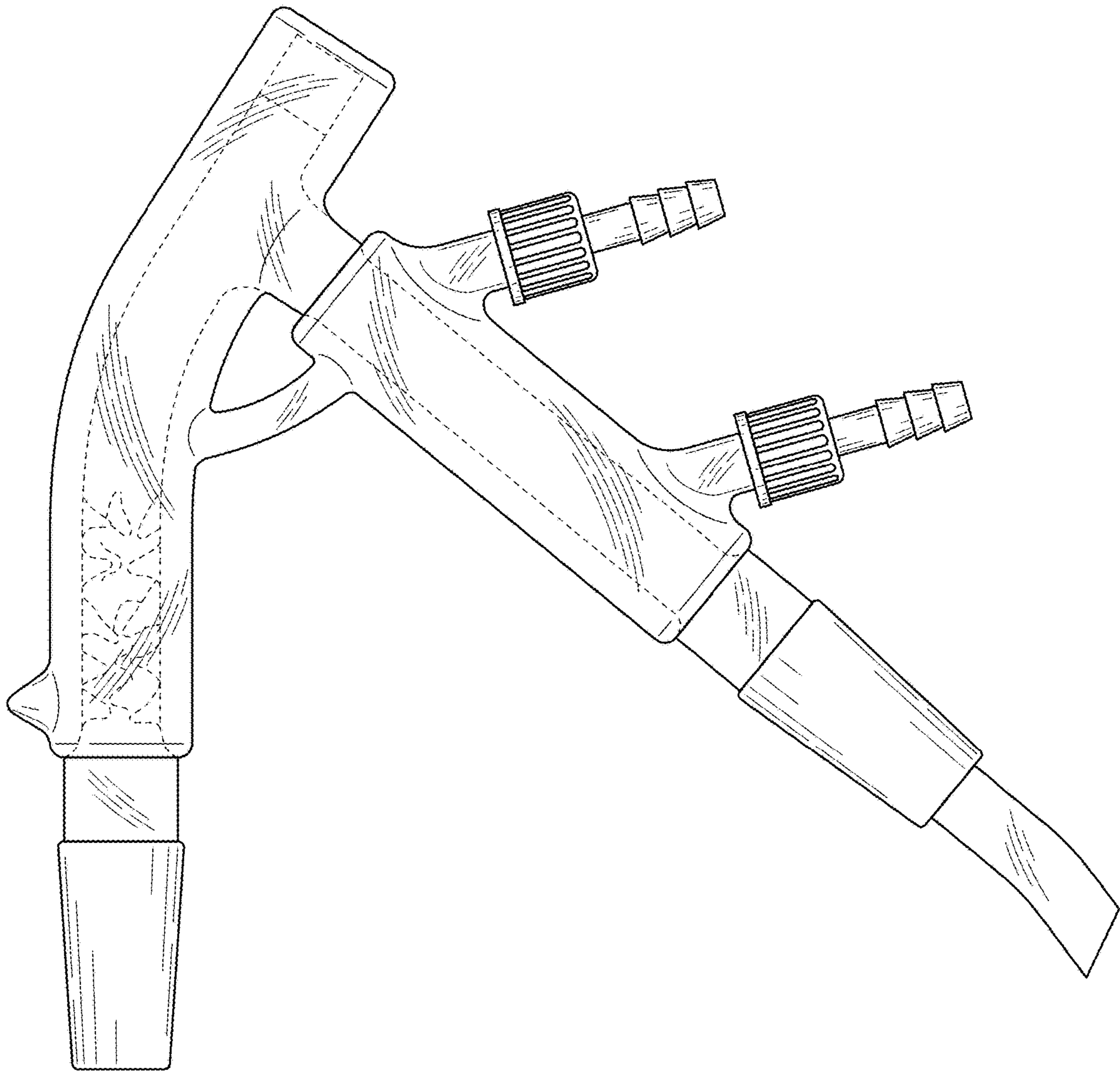


FIG. 5

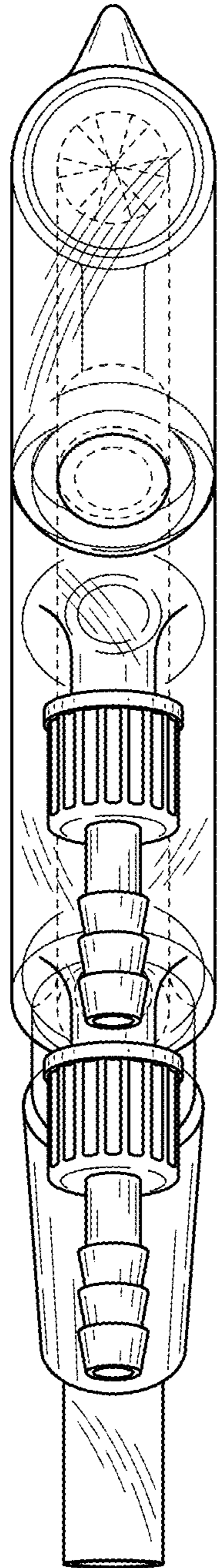


FIG. 6

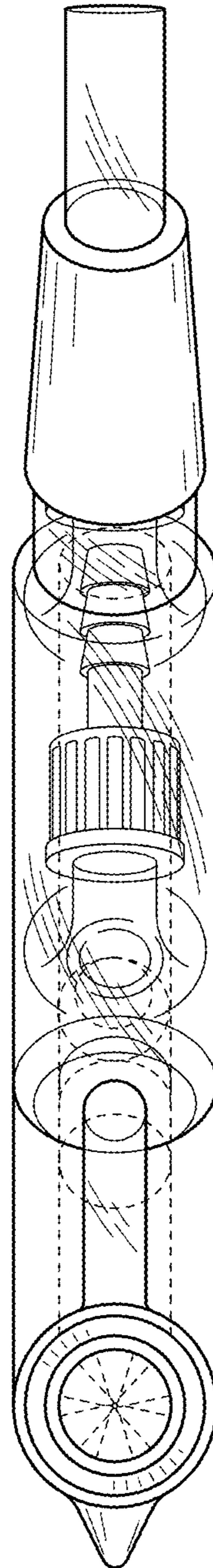


FIG. 7

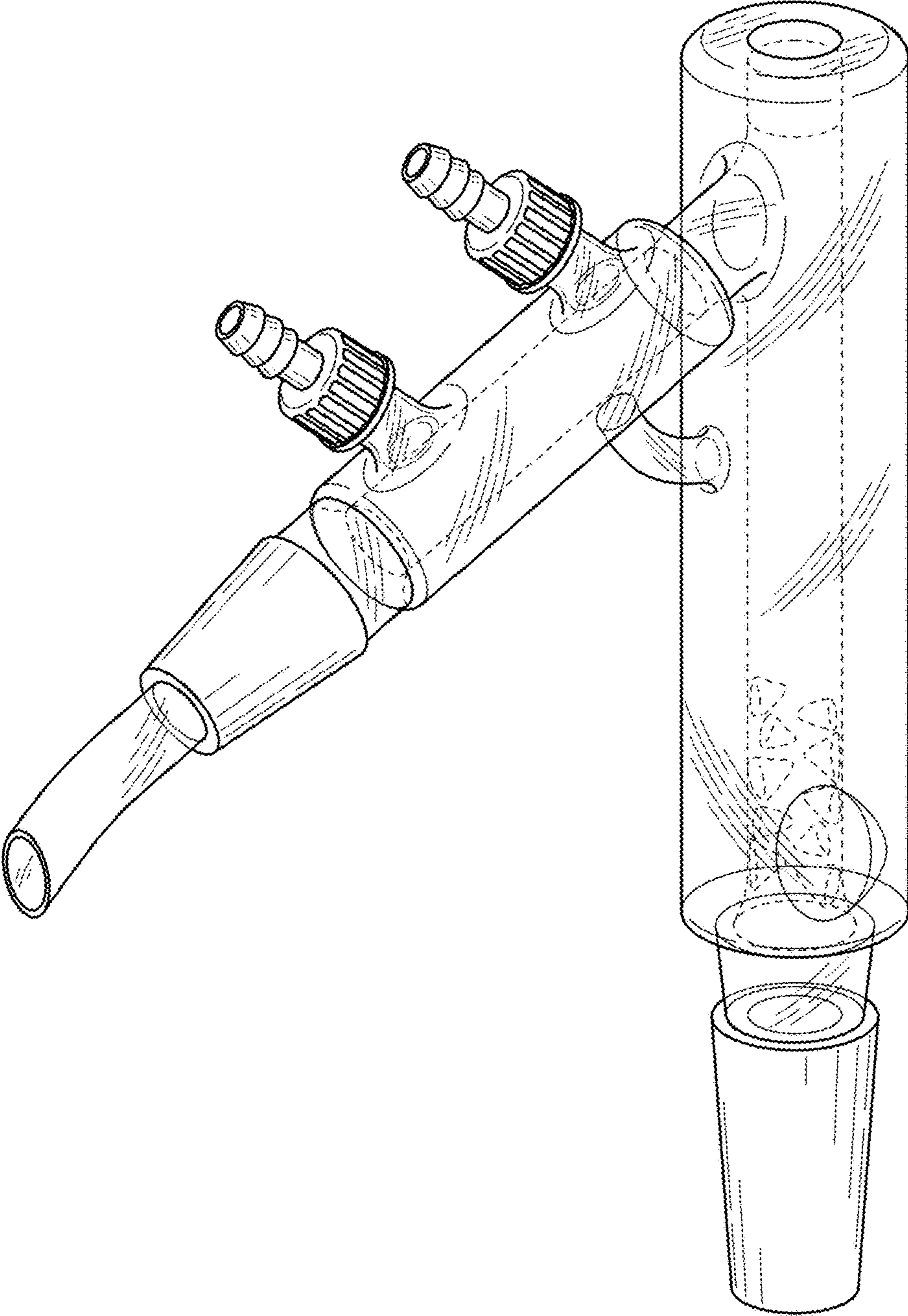


FIG. 8



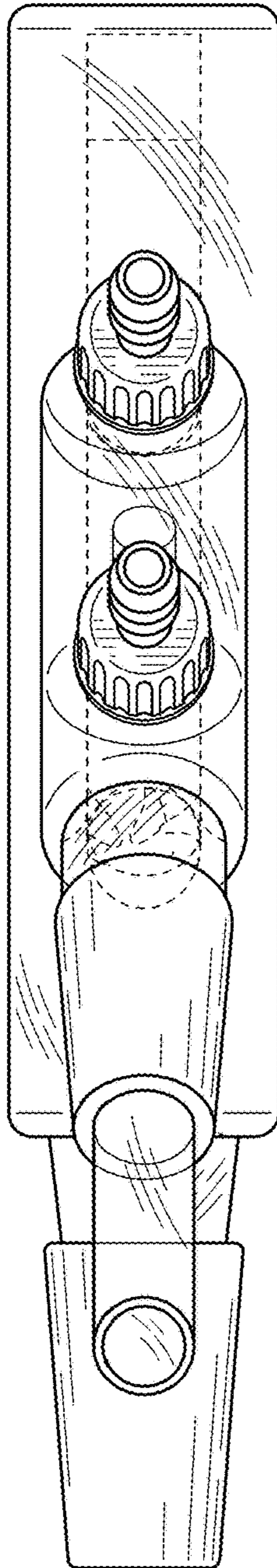


FIG. 9

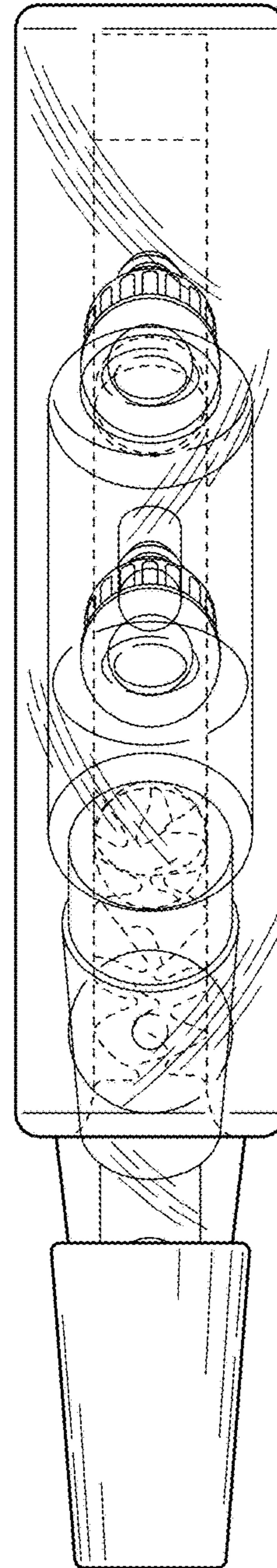


FIG. 10

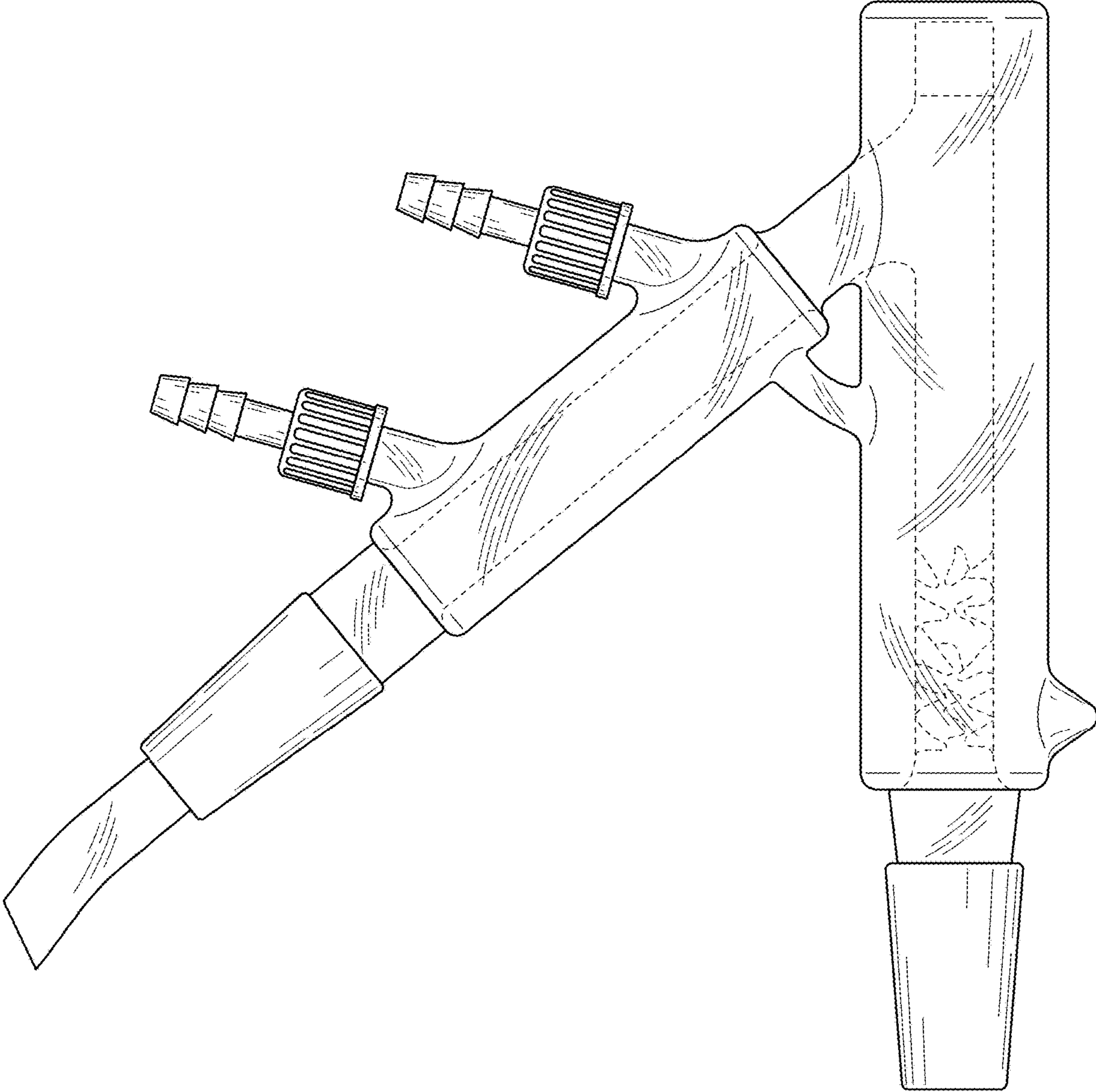


FIG. 11

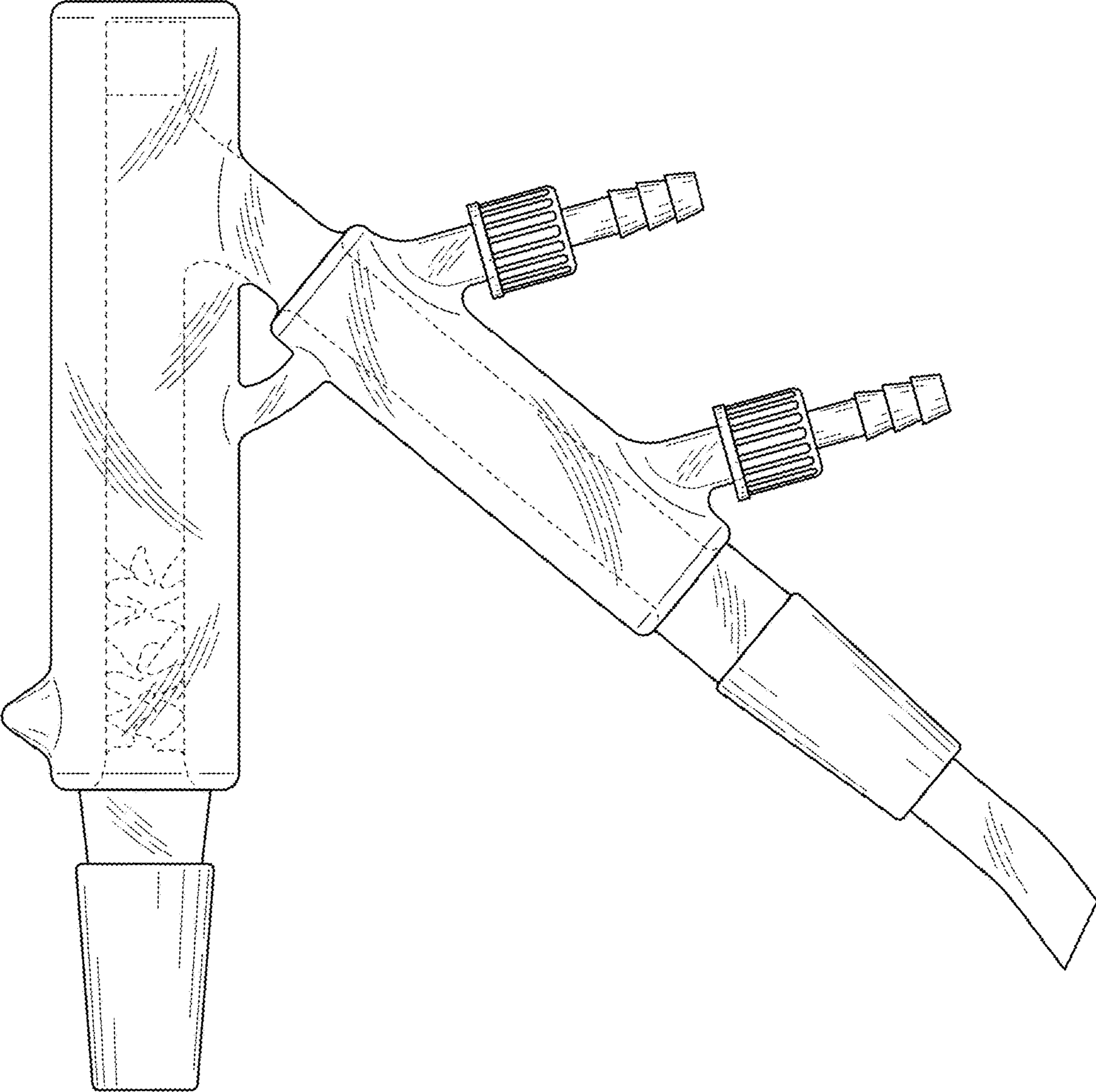


FIG. 12

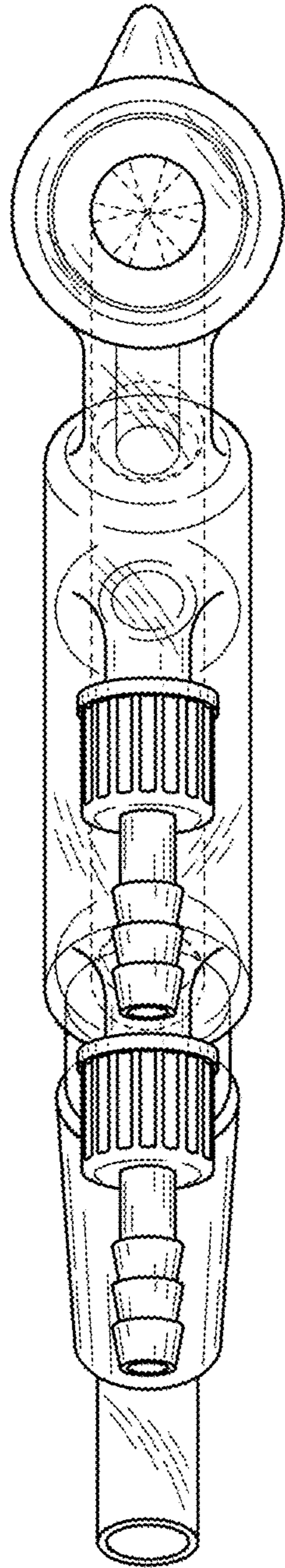


FIG. 13

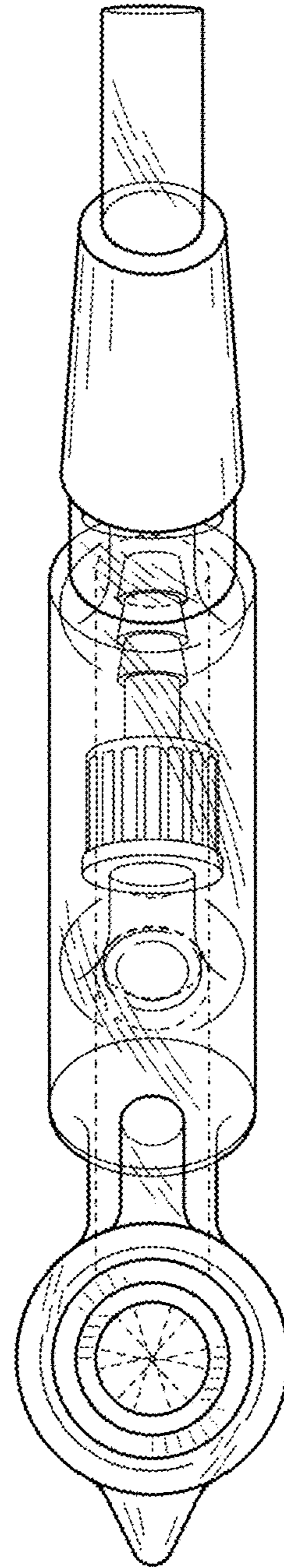


FIG. 14