



US00D841117S

(12) **United States Design Patent**
Tappeiner

(10) **Patent No.:** **US D841,117 S**

(45) **Date of Patent:** **** Feb. 19, 2019**

- (54) **FOUNTAIN**
- (71) Applicant: **FKA Distributing Co., LLC**,
Commerce Township, MI (US)
- (72) Inventor: **Marc Tappeiner**, Santa Barbara, CA
(US)
- (73) Assignee: **FKA Distributing Co., LLC**,
Commerce Township, MI (US)
- (**) Term: **15 Years**
- (21) Appl. No.: **29/628,255**
- (22) Filed: **Dec. 4, 2017**
- (51) **LOC (11) Cl.** **23-01**
- (52) **U.S. Cl.**
USPC **D23/201**
- (58) **Field of Classification Search**
USPC D23/201; D11/131; 239/17-23
CPC B05B 17/08; F21W 2121/02
See application file for complete search history.

- D394,301 S * 5/1998 Fisher D23/201
- 5,992,757 A * 11/1999 Smith B05B 17/08
239/17
- D419,637 S * 1/2000 Lavon D23/201
- D454,612 S * 3/2002 Chang D23/201
- D454,613 S * 3/2002 Wood D23/201
- 6,981,652 B2 * 1/2006 Lin B05B 17/08
239/16
- D557,173 S * 12/2007 Grantham D11/144
- 7,845,580 B2 * 12/2010 Liao B05B 17/08
239/16
- D678,462 S * 3/2013 Whitis B05B 17/08
D23/201

* cited by examiner

Primary Examiner — Robin V Webster
(74) *Attorney, Agent, or Firm* — Brooks Kushman P.C.

(57) **CLAIM**

The ornamental design for a fountain, as shown and described.

DESCRIPTION

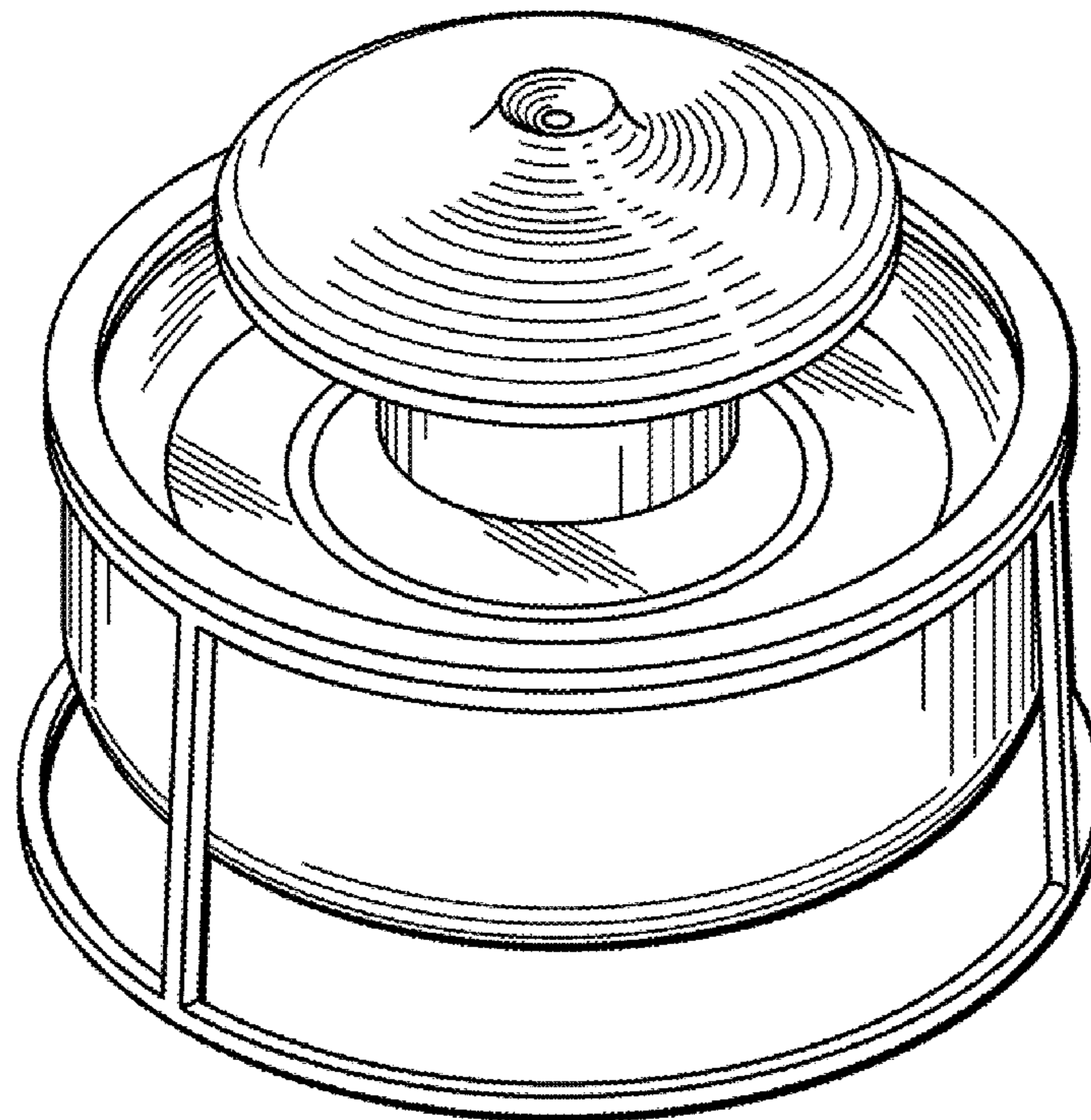
FIG. 1 is a perspective view of a fountain showing my new design;
FIG. 2 is a left side view of the fountain of FIG. 1;
FIG. 3 is a right side view of the fountain of FIG. 1;
FIG. 4 is a front view of the fountain of FIG. 1;
FIG. 5 is a rear view of the fountain of FIG. 1;
FIG. 6 is a top view of the fountain of FIG. 1; and,
FIG. 7 is a bottom view of the fountain of FIG. 1.

1 Claim, 3 Drawing Sheets

(56) **References Cited**

U.S. PATENT DOCUMENTS

- D113,465 S * 2/1939 Ohrenschall D23/201
- D161,154 S * 12/1950 Bartholomew B05B 17/08
D23/201
- D221,755 S * 9/1971 Johnson D23/201



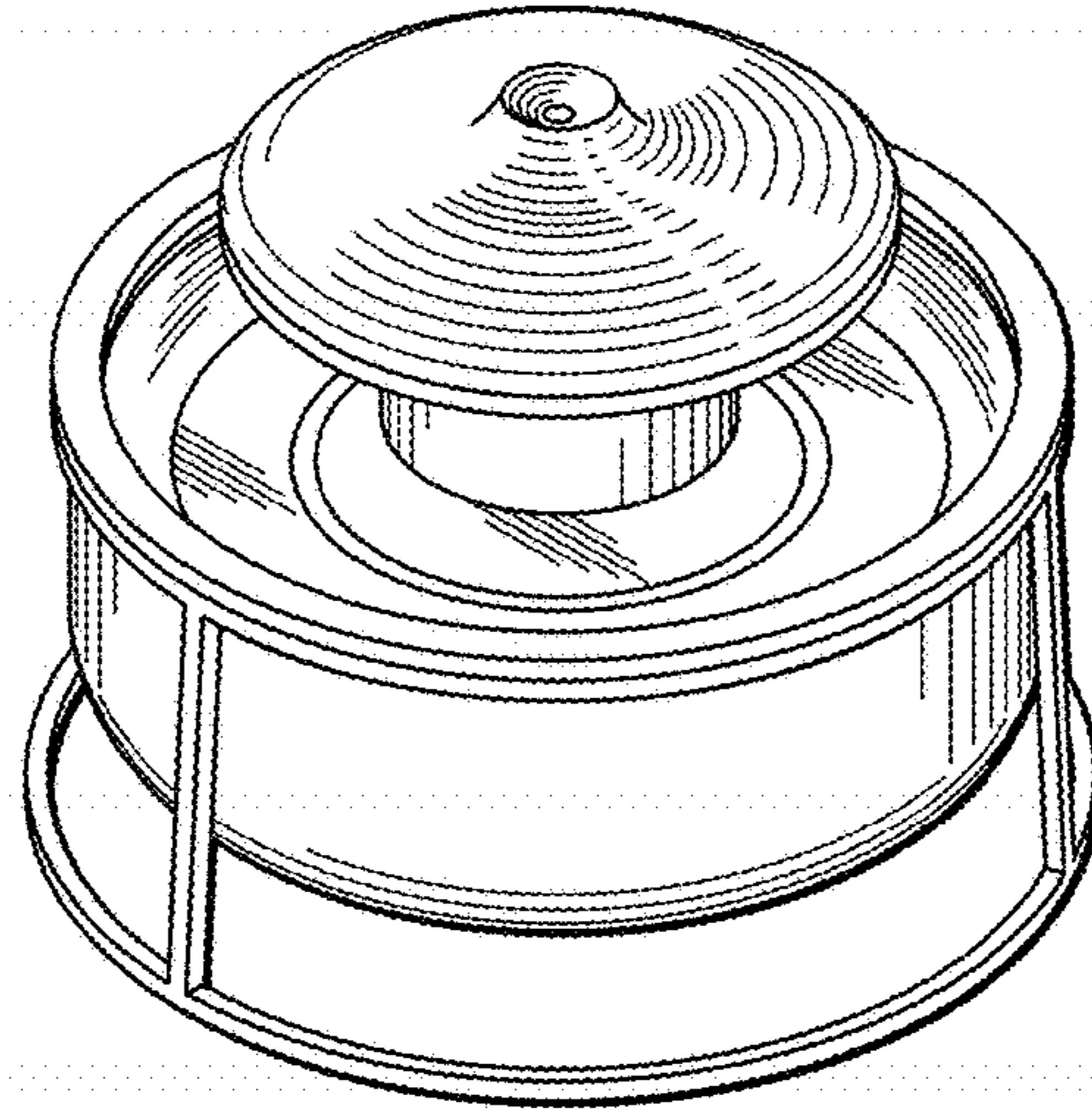


FIG. 1

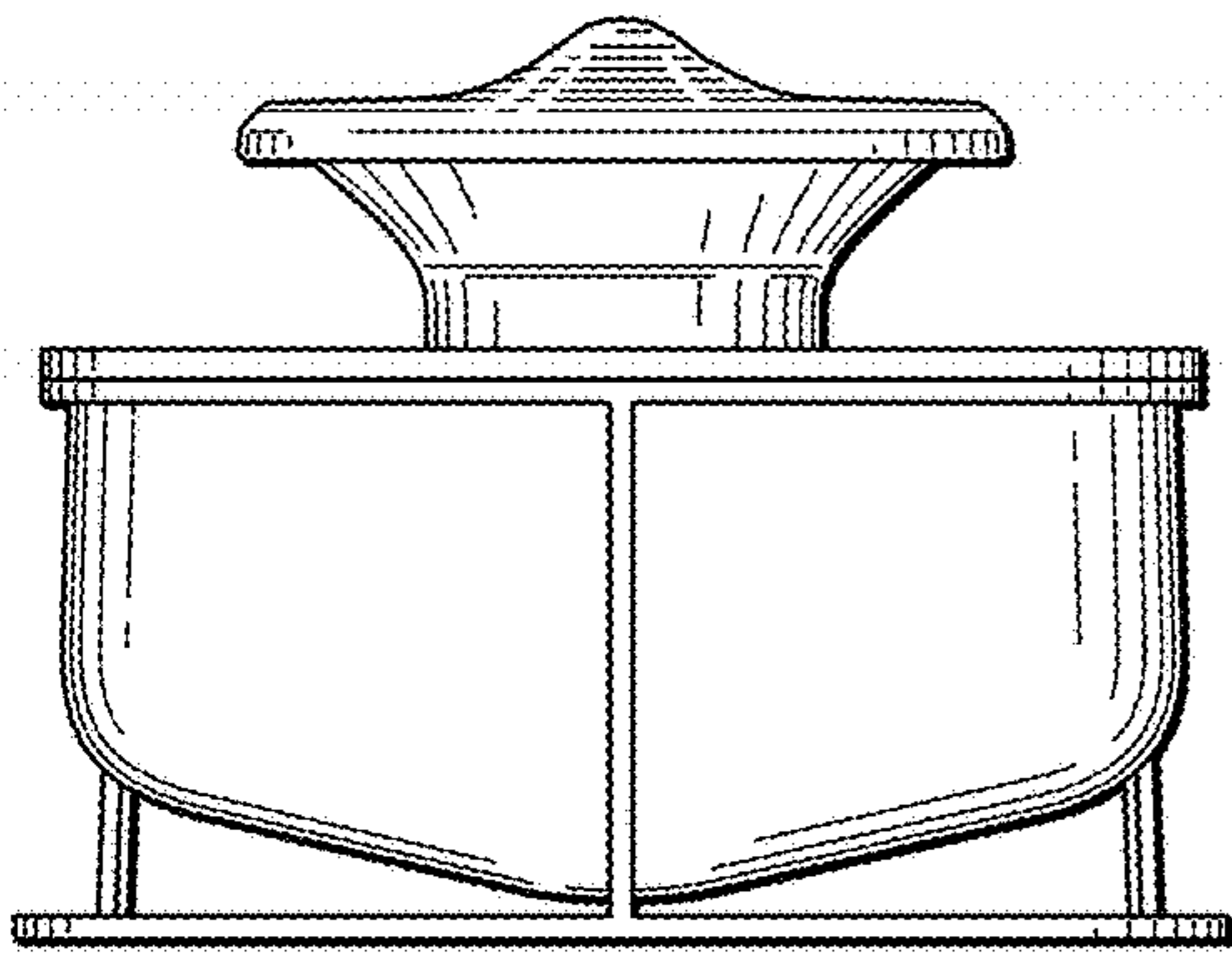


FIG. 2

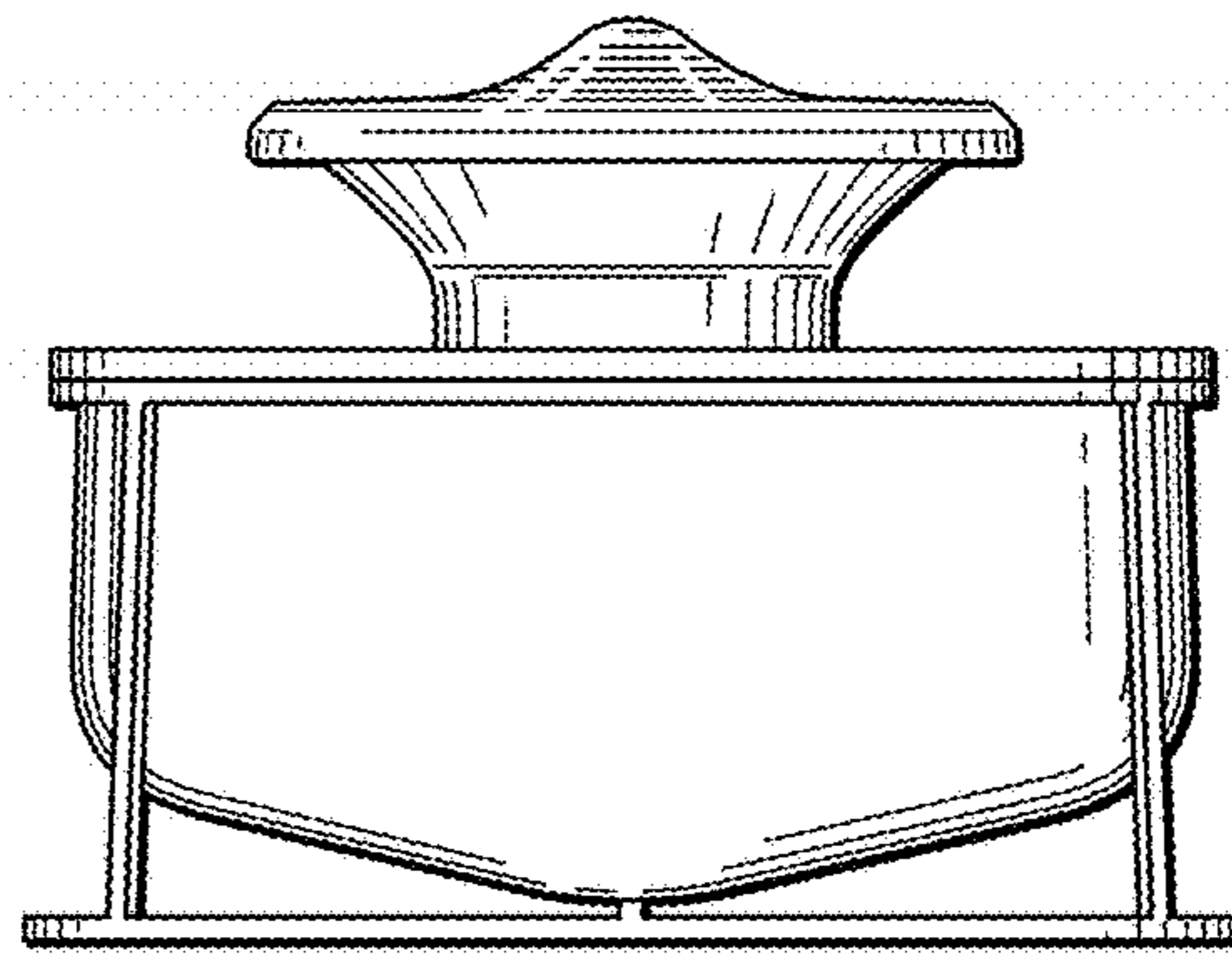


FIG. 3

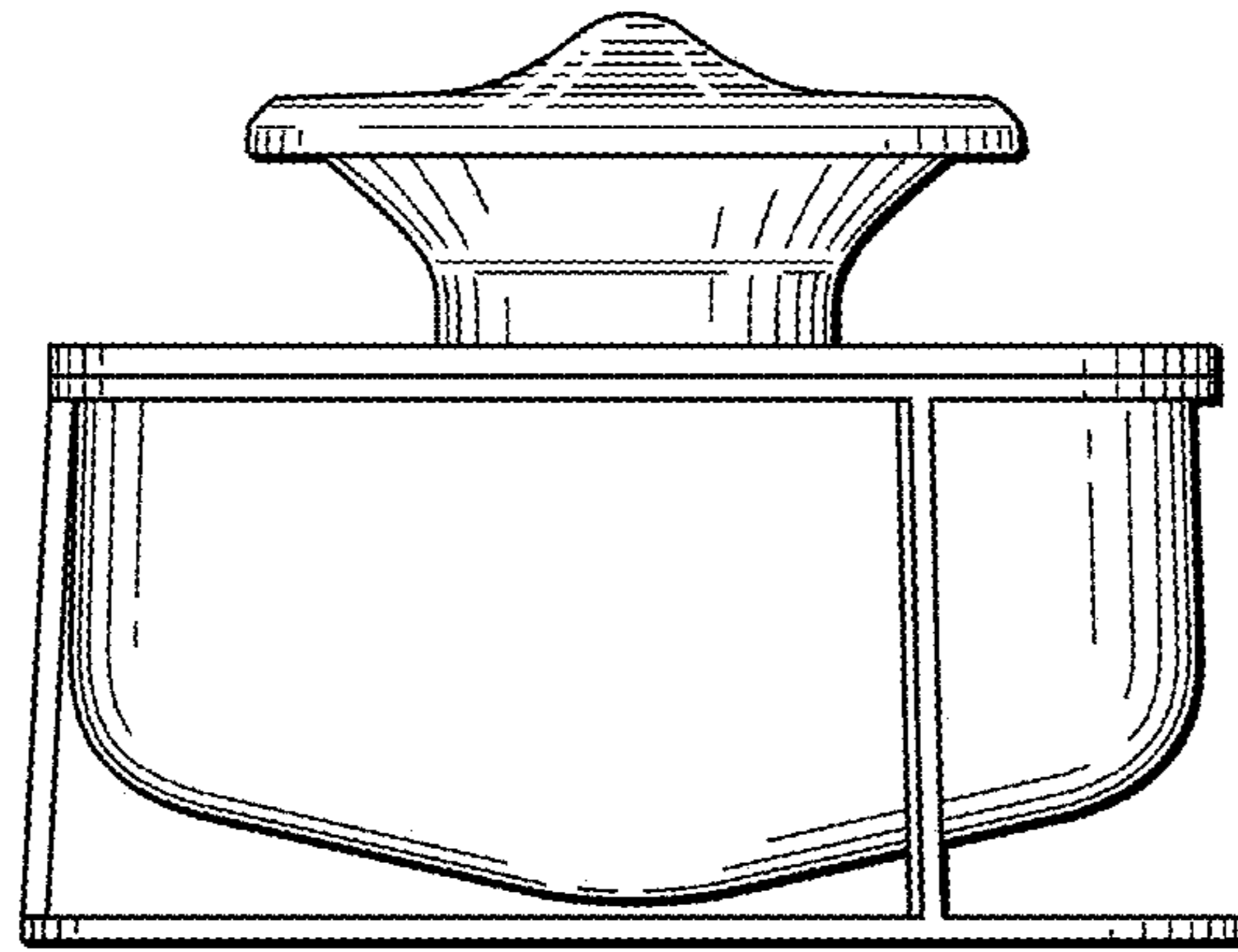


FIG. 4

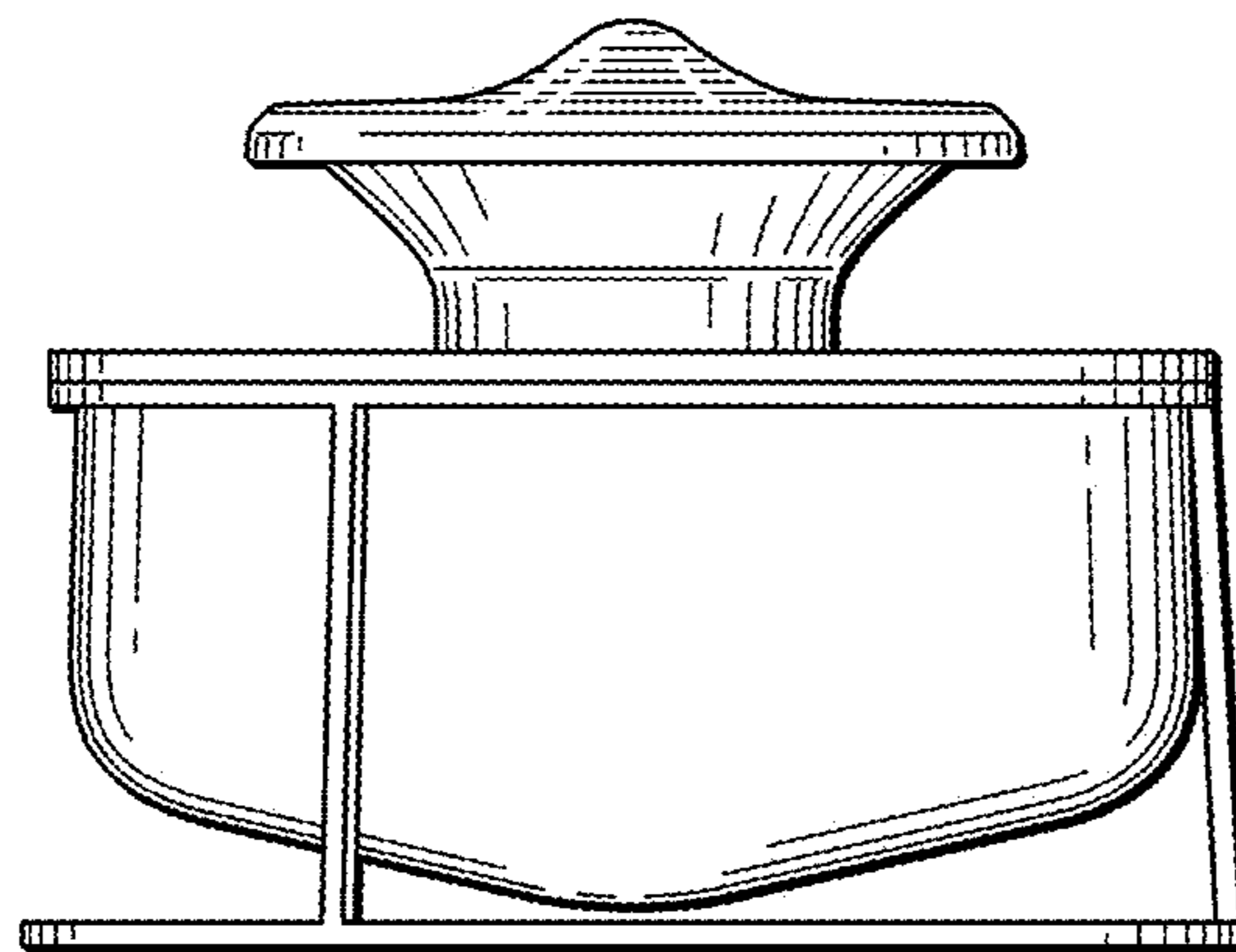


FIG. 5

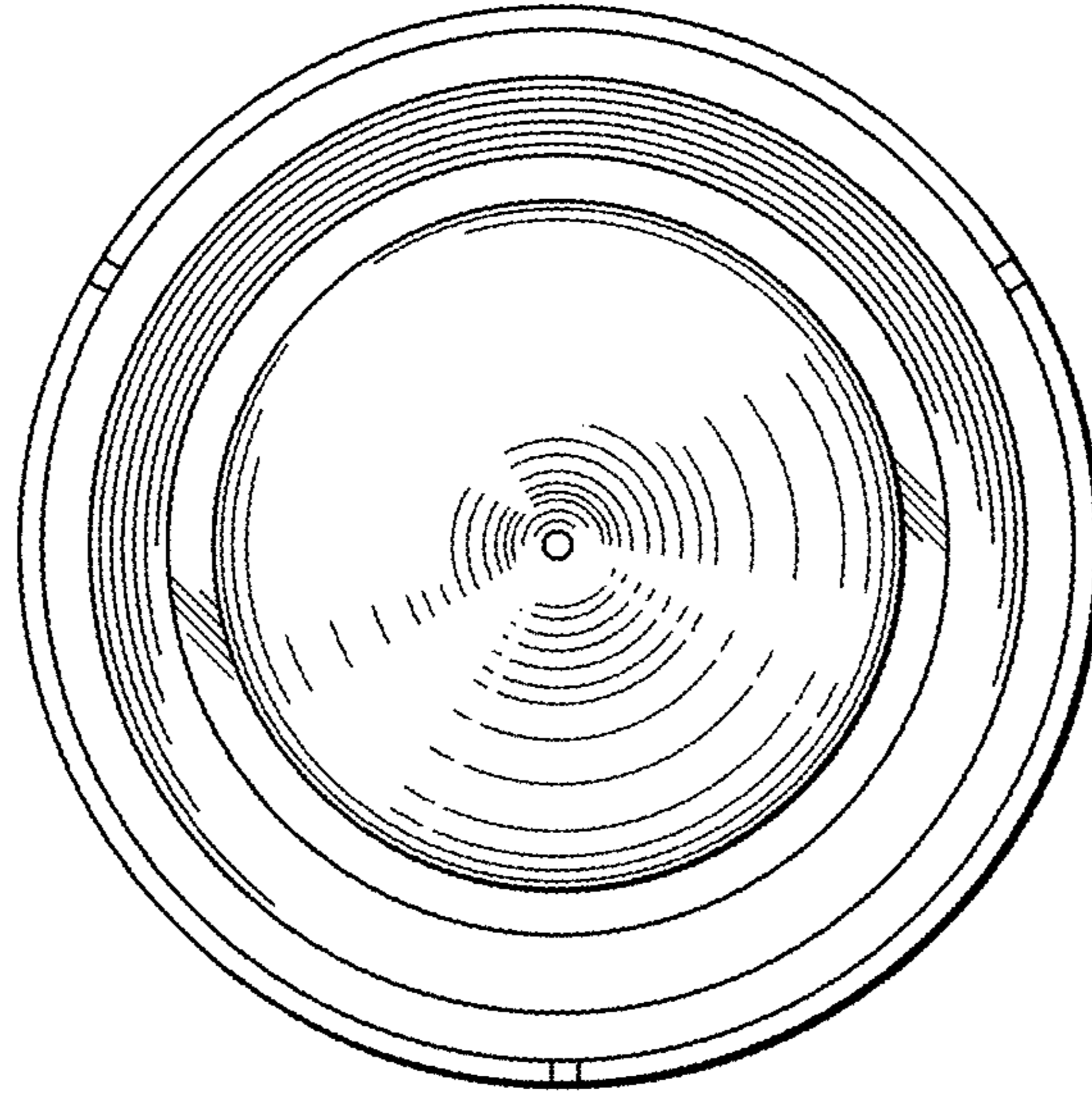


FIG. 6

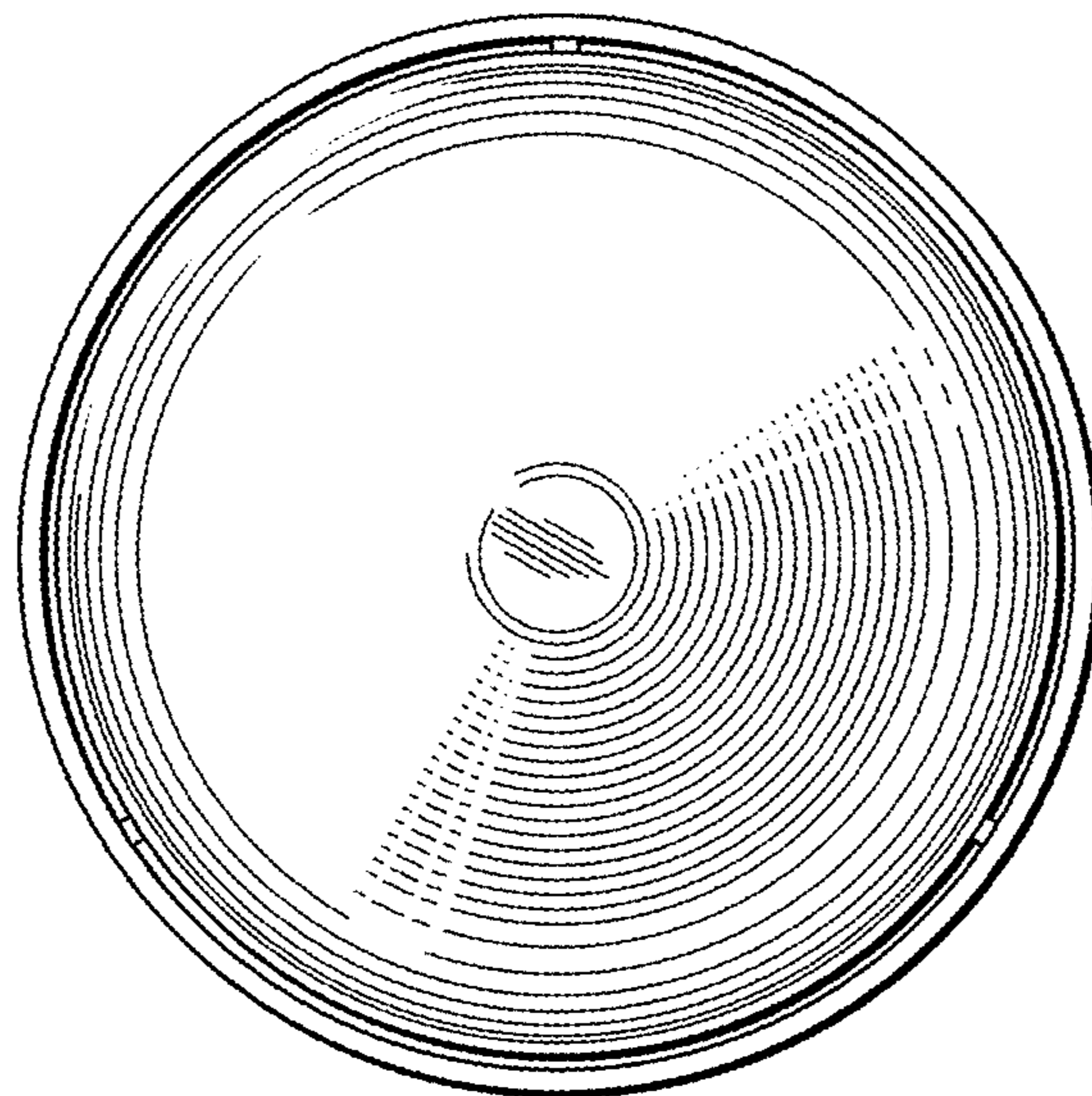


FIG. 7