



US00D841115S

(12) **United States Design Patent** (10) **Patent No.:** **US D841,115 S**
Ishihara (45) **Date of Patent:** **** Feb. 19, 2019**

(54) **ROLLER PURSE RING**

(71) Applicants: **NICHIMO CO., LTD.**, Tokyo (JP);
FISCO JAPAN CO., LTD., Kobe (JP);
KOREA TRADING & INDUSTRIES CO., LTD., Busan (KR)

(72) Inventor: **Shiro Ishihara**, Kobe (JP)

(73) Assignees: **NICHIMO CO., LTD.**, Tokyo (JP);
FISCO JAPAN CO., LTD., Kobe (JP);
KOREA TRADING & INDUSTRIES CO., LTD., Busan (KR)

(**) Term: **15 Years**

(21) Appl. No.: **29/623,277**

(22) Filed: **Oct. 24, 2017**

(30) **Foreign Application Priority Data**

Apr. 25, 2017 (JP) 2017-008863

(51) **LOC (11) Cl.** **22-05**

(52) **U.S. Cl.**
USPC **D22/135**

(58) **Field of Classification Search**
USPC D22/135-142; 43/14, 7-8; D8/356, 360,
D8/367, 382; 24/588.1, 588.11, 592.11,
24/594.1, 594.11, 595.1, 598.1, 598.7, 5,
24/99.1, 599.6, 599.2, 598.3
CPC A01K 73/06; A01K 75/00; F16B 45/02;
Y10T 24/45283
See application file for complete search history.

(56) **References Cited**

U.S. PATENT DOCUMENTS

4,449,315 A 5/1984 Puretic
5,018,295 A 5/1991 Taylor, IV et al.
D340,106 S 10/1993 Hystad

D340,760 S 10/1993 Hystad
5,287,645 A 2/1994 Gois
D348,302 S 6/1994 Gois
5,505,013 A 4/1996 Gois
7,743,475 B2 6/2010 Jang et al.
D621,242 S 8/2010 Gois, Sr.
8,141,228 B2 3/2012 Gois, Sr.
8,341,811 B2* 1/2013 Kim A01K 75/00
24/588.1
8,359,719 B2* 1/2013 Jang A01K 73/12
24/598.7
D680,420 S * 4/2013 Ellis D8/367
9,212,688 B2* 12/2015 Jang F16B 45/02
9,267,535 B2* 2/2016 Jang F16B 45/02
D758,172 S * 6/2016 Hung D8/367
D764,899 S * 8/2016 Petzl D8/356
D790,327 S * 6/2017 Renforth D8/356

FOREIGN PATENT DOCUMENTS

JP 5268856 B2 8/2013
JP S1051414 8/2013

* cited by examiner

Primary Examiner — Catherine R Oliver-Garcia

(74) *Attorney, Agent, or Firm* — Oliff PLC

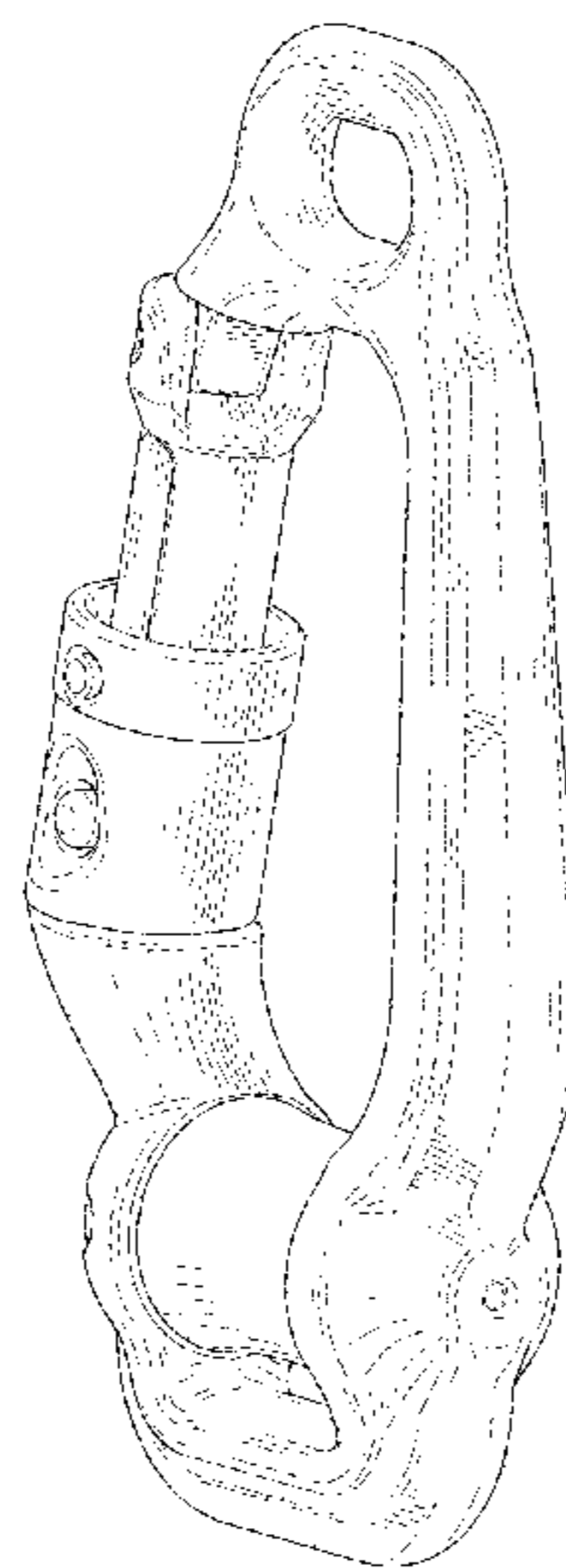
(57) **CLAIM**

The ornamental design for a roller purse ring, as shown and described.

DESCRIPTION

FIG. 1 is a front, right-side, top perspective view of the roller purse ring;
FIG. 2 is a front elevational view thereof;
FIG. 3 is a top plan view thereof;
FIG. 4 is a bottom plan view thereof;
FIG. 5 is a right-side elevational view thereof;
FIG. 6 is a left-side elevational view thereof; and,
FIG. 7 is a rear elevational view thereof.

1 Claim, 5 Drawing Sheets



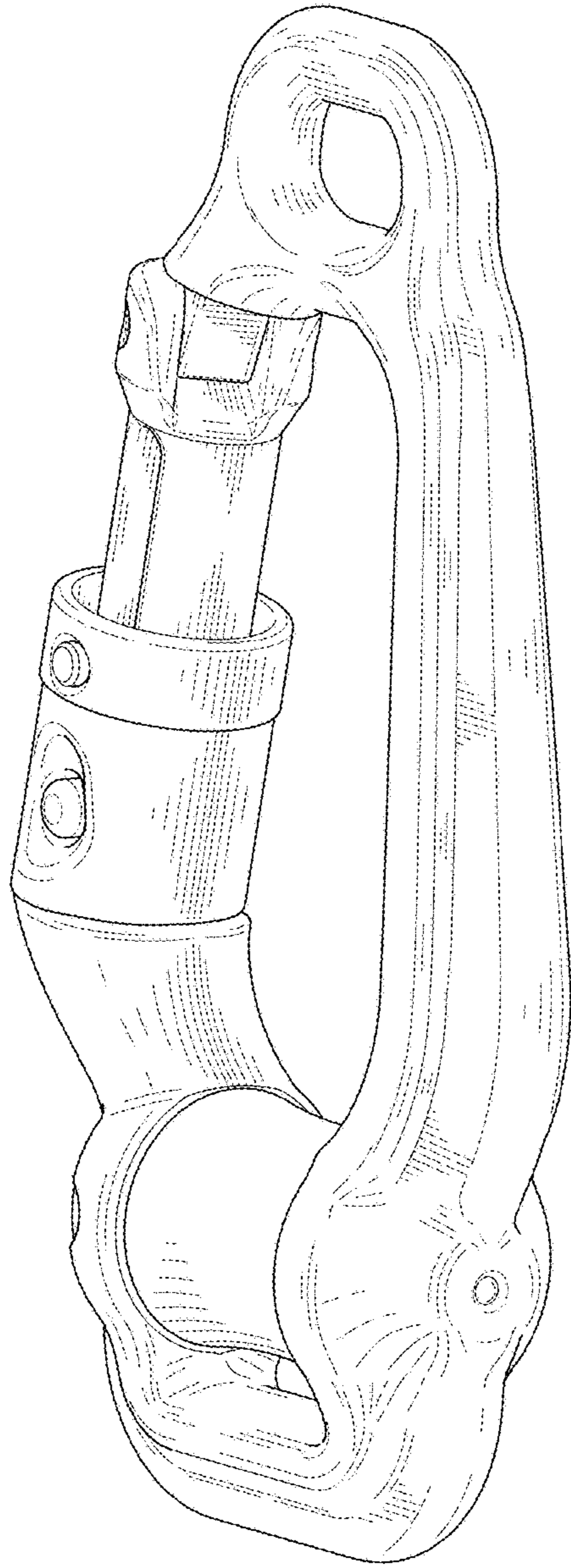


FIG. 1

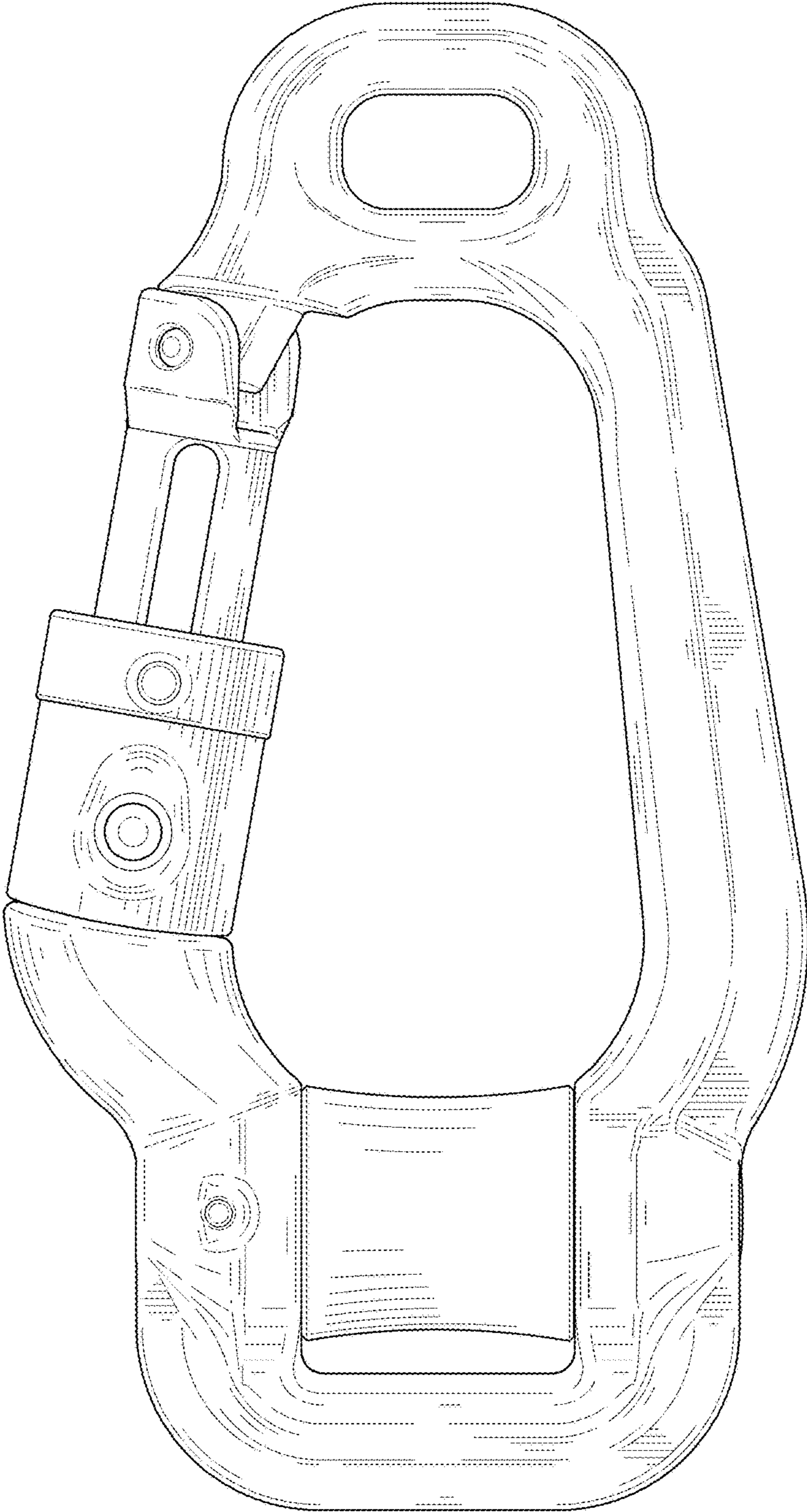


FIG. 2

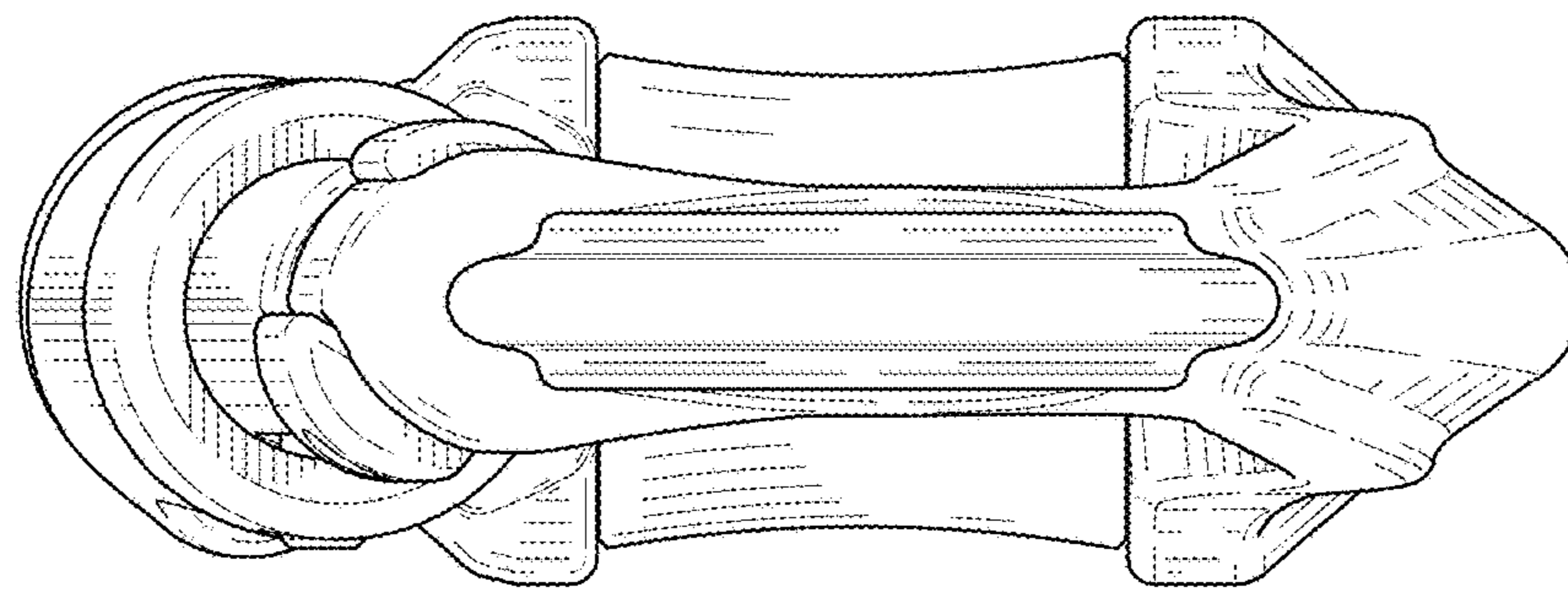


FIG. 3

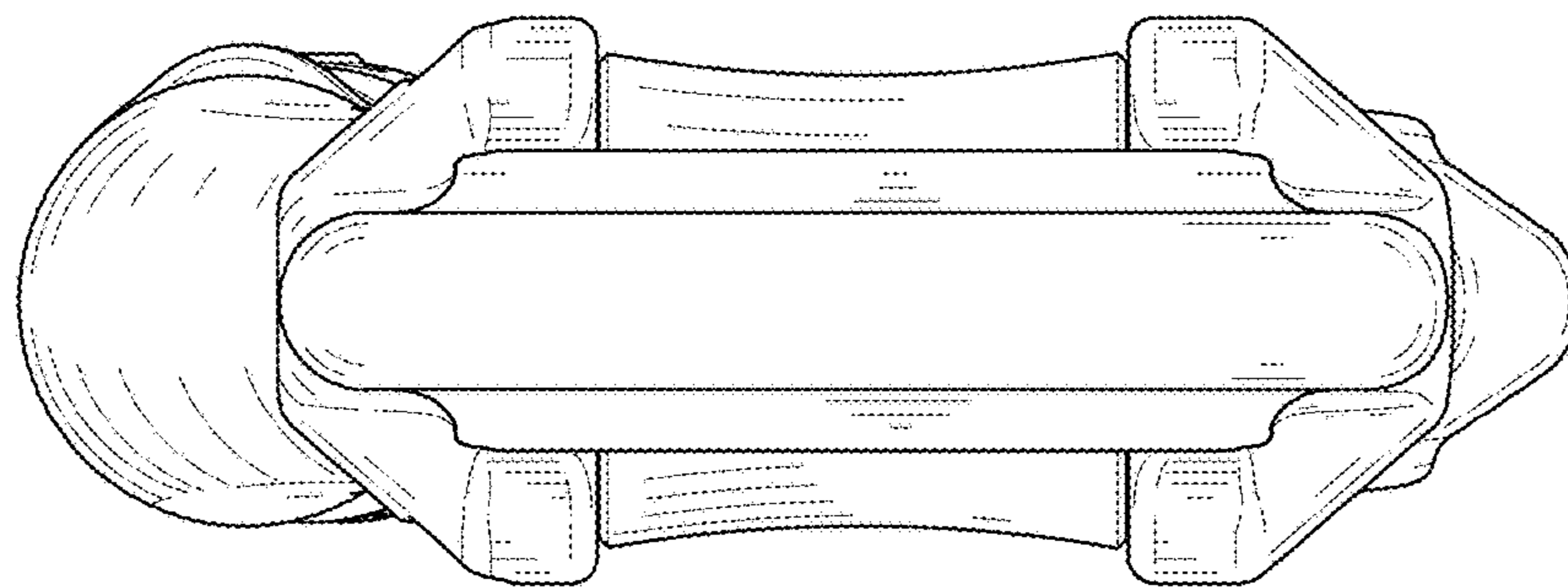


FIG. 4

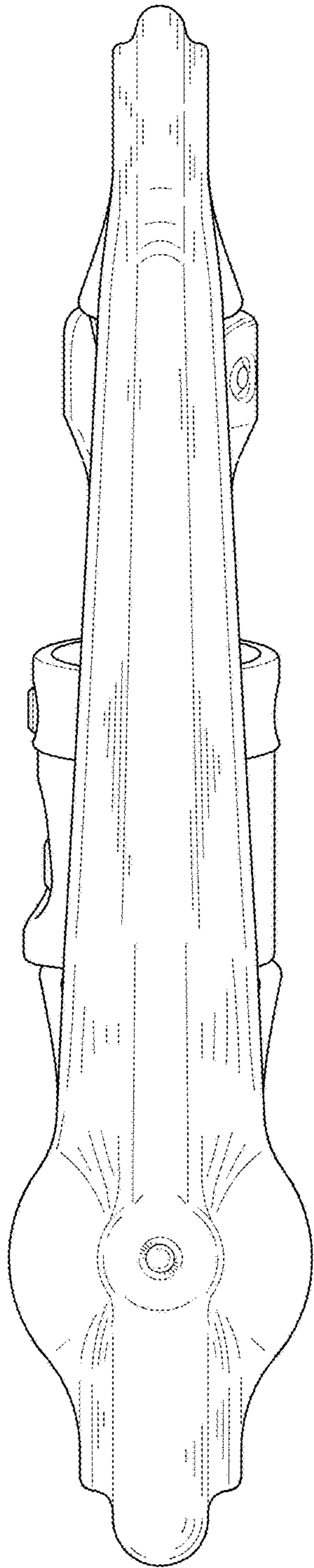


FIG. 5

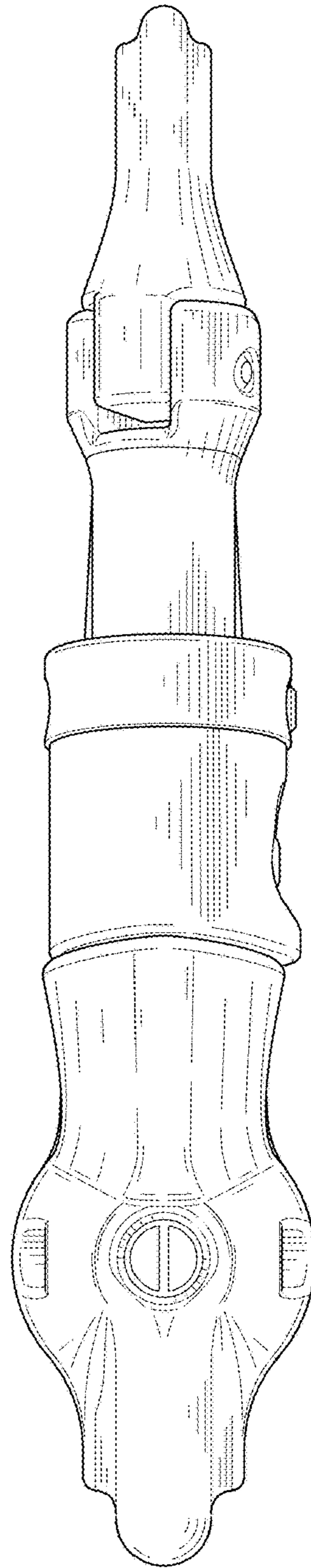


FIG. 6

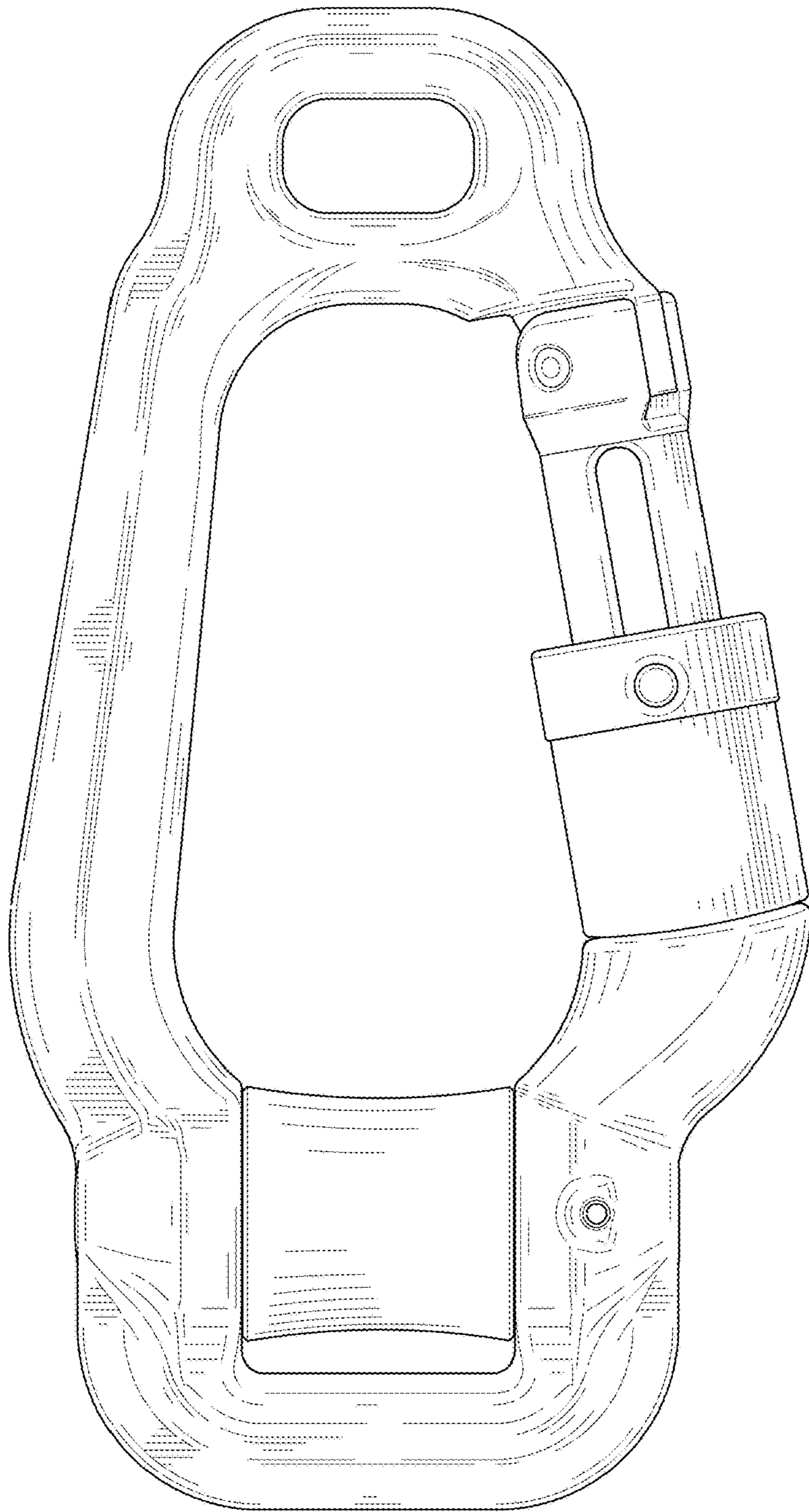


FIG. 7