



US00D841112S

(12) **United States Design Patent** (10) **Patent No.:** **US D841,112 S**  
**Shi** (45) **Date of Patent:** **\*\* Feb. 19, 2019**

(54) **ELECTRONIC SIGHT**  
(71) Applicant: **Huntercraft Limited**, Albany, NY (US)  
(72) Inventor: **Chunhua Shi**, Albany, NY (US)  
(73) Assignee: **HUNTERCRAFT LIMITED**, Albany, NY (US)

D369,367 S 4/1996 Tomita  
D378,936 S 4/1997 DePaoli  
D420,718 S 2/2000 Otteman et al.  
D427,275 S 6/2000 Gilmore  
D438,552 S \* 3/2001 Sumita ..... D16/202  
6,453,595 B1 9/2002 Sammut  
D472,256 S 3/2003 Schick  
(Continued)

(\*\*) Term: **15 Years**

(21) Appl. No.: **29/639,263**

(22) Filed: **Mar. 5, 2018**

(51) **LOC (11) Cl.** ..... **22-01**

(52) **U.S. Cl.**  
USPC ..... **D22/109**

(58) **Field of Classification Search**  
USPC ..... D22/108-111; D16/132, 134, 330, 205,  
D16/200, 202, 203, 218, 219, 221, 222,  
D16/230; 42/85, 111, 113-114, 117-119,  
42/122-123, 129, 130-133, 135-136,  
42/140-146; D26/49; 348/143, 373-376;  
396/427, 535-541  
CPC . F41G 1/00; F41G 1/01; F41G 1/1632; F41G  
1/34; F41G 1/36; F41G 1/38; F41G 1/40;  
F41G 1/42; F41G 1/52; F41G 1/345;  
F41G 11/003  
See application file for complete search history.

(56) **References Cited**

**U.S. PATENT DOCUMENTS**

D232,661 S 9/1974 Thompson et al.  
D235,685 S 7/1975 Chesnut et al.  
D306,740 S 3/1990 Nichols et al.  
4,940,324 A \* 7/1990 Nichols ..... F41G 1/30  
356/247  
D332,792 S 1/1993 Jorlov  
D346,392 S 4/1994 Tomita  
D349,510 S 8/1994 Tomita  
D365,858 S 1/1996 Tomita

**OTHER PUBLICATIONS**

Gamo 6212046154 Electronic Illuminated Green Dot Sight, Amazon.com, [online], [site visited Mar. 22, 2018]. <URL: https://www.amazon.com/Gamo-6212046154-Electronic-Illuminated-Green/dp/B00974YMHM> (Year: 2018).\*

(Continued)

*Primary Examiner* — T Chase Nelson  
*Assistant Examiner* — Jonathan J. Han  
(74) *Attorney, Agent, or Firm* — Novick, Kim & Lee, PLLC; Allen Xue; Hyun Woo Shin

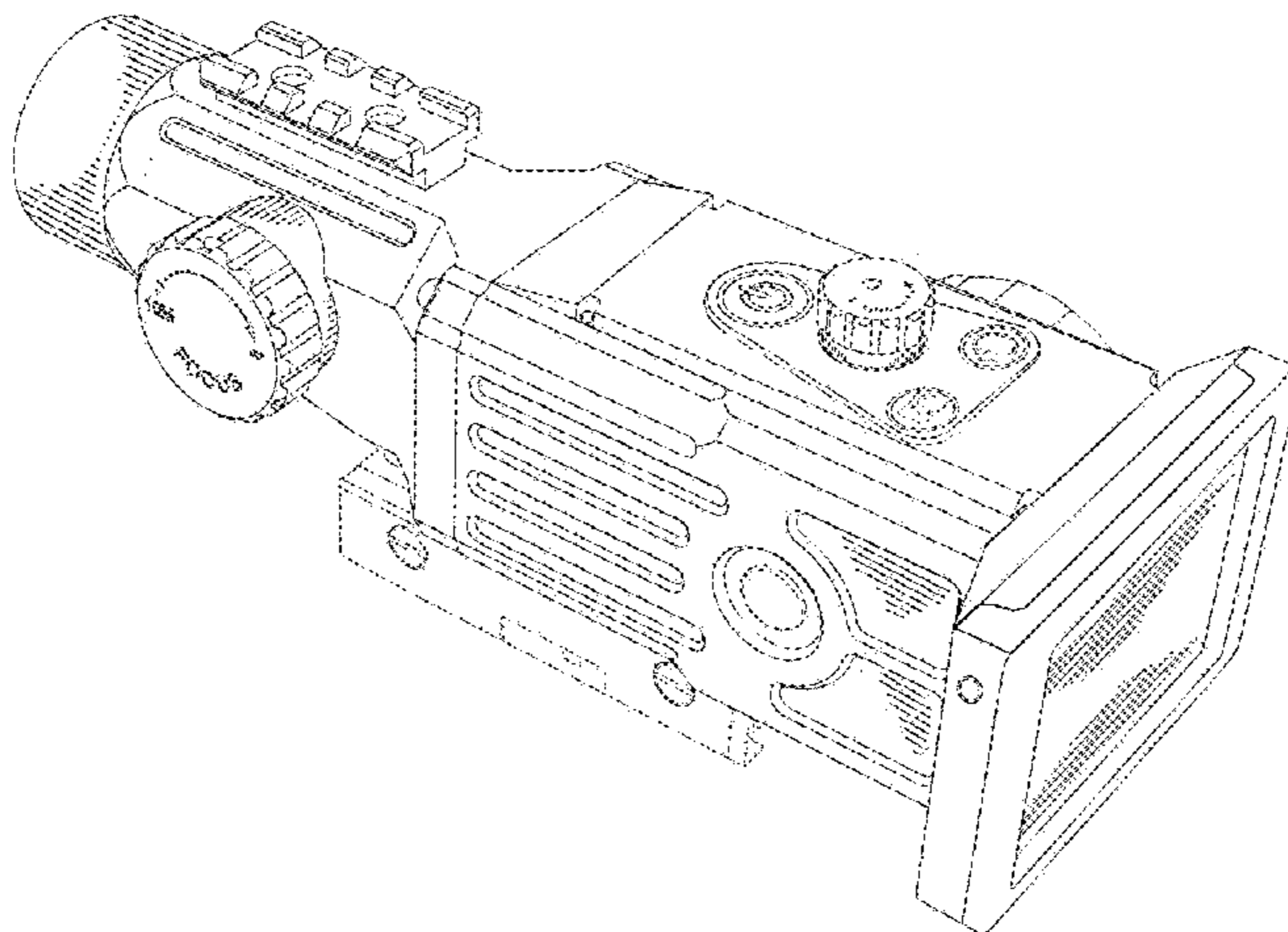
(57) **CLAIM**

I claim the ornamental design for an electronic sight, as shown and described.

**DESCRIPTION**

FIG. 1 is a top, rear, right side perspective view of an electronic sight showing my new design; FIG. 2 is a front, bottom, left side perspective view thereof; FIG. 3 is a front elevational view thereof; FIG. 4 is a rear elevational view thereof; FIG. 5 is a right side elevational view thereof; FIG. 6 is a left side elevational view thereof; FIG. 7 is a top plan view thereof; and, FIG. 8 is a bottom plan view thereof. The broken lines in the drawings show portions of the electronic sight which form no part of the claimed design.

**1 Claim, 8 Drawing Sheets**



(56)

References Cited

U.S. PATENT DOCUMENTS

6,807,742 B2 \* 10/2004 Schick ..... F41G 1/30  
33/297  
D515,118 S 2/2006 Larsson et al.  
D548,385 S \* 8/2007 Sharrah ..... D26/51  
D558,247 S \* 12/2007 Kim ..... D16/202  
D564,555 S 3/2008 Palmer  
D574,027 S \* 7/2008 Miyazaki ..... D16/202  
D578,599 S \* 10/2008 Cheng ..... D16/130  
D674,525 S \* 1/2013 Sharrah ..... D26/60  
D676,886 S 2/2013 Hoshi  
D676,888 S \* 2/2013 Hayashi ..... D16/203  
D686,264 S 7/2013 Hoshi  
D704,296 S 5/2014 Cheng  
D711,490 S \* 8/2014 Hahin ..... D22/108  
D719,203 S \* 12/2014 Horiki ..... D16/202  
D728,062 S \* 4/2015 Hamilton ..... D22/109  
D747,430 S \* 1/2016 Theisinger ..... D22/109  
D747,431 S 1/2016 Cheng et al.  
D747,757 S \* 1/2016 Daniel ..... D16/208  
D748,308 S \* 1/2016 Zhang ..... D26/37  
D750,685 S \* 3/2016 Santos ..... D16/208  
D752,701 S 3/2016 Bengtsson  
9,285,189 B1 \* 3/2016 Zhang ..... F41G 3/06  
D757,886 S 5/2016 Cheng et al.  
D764,006 S \* 8/2016 Horton ..... D22/109  
9,410,769 B1 \* 8/2016 Zhang ..... F41G 3/06

9,435,522 B2 \* 9/2016 Galli ..... F21V 23/0414  
9,488,439 B2 \* 11/2016 Galli ..... F41G 11/003  
D778,390 S 2/2017 Zhang et al.  
9,752,853 B2 \* 9/2017 Teetzel ..... F41G 1/35  
D800,864 S 10/2017 Hartley  
D803,347 S 11/2017 Cheng et al.  
D809,051 S \* 1/2018 Sakai ..... D16/219  
D809,583 S \* 2/2018 Morishita ..... D16/202  
D812,178 S \* 3/2018 Galli ..... D22/108  
2005/0268521 A1 \* 12/2005 Cox ..... F41G 1/38  
42/130  
2013/0188053 A1 7/2013 Slevin et al.  
2016/0102943 A1 \* 4/2016 Teetzel ..... F41G 1/35  
42/113  
2017/0059813 A1 \* 3/2017 Kageyama ..... G02B 7/10  
2017/0205194 A1 \* 7/2017 Teetzel ..... F41G 1/30  
2017/0341257 A1 \* 11/2017 Teetzel ..... B27B 7/00

OTHER PUBLICATIONS

Sig Sauer—Romeo5 Compact Red Dot Sight, Brownells.com, [online], [site visited Mar. 22, 2018]. <URL: <https://www.brownells.com/optics-mounting/electronic-sights/red-dot-sights/romeo5-compact-red-dot-sight-prod87941.aspx>> (Year: 2018).\*  
Sights, SunOpticsUSA.com, [online], [site visited Mar. 22, 2018]. <URL: <http://sunopticsusa.com/sights/>> (Year: 2018).\*

\* cited by examiner

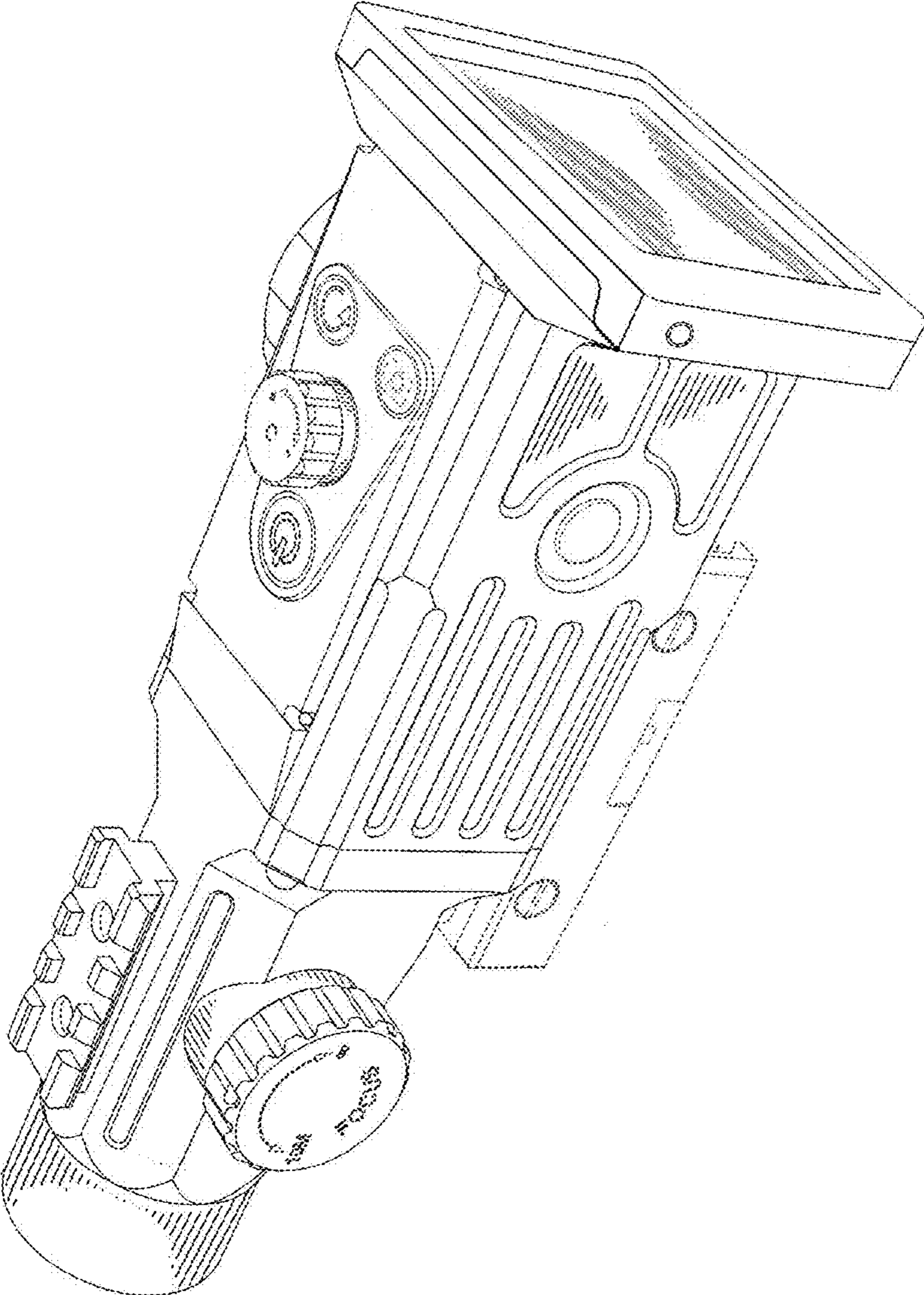


Fig. 1

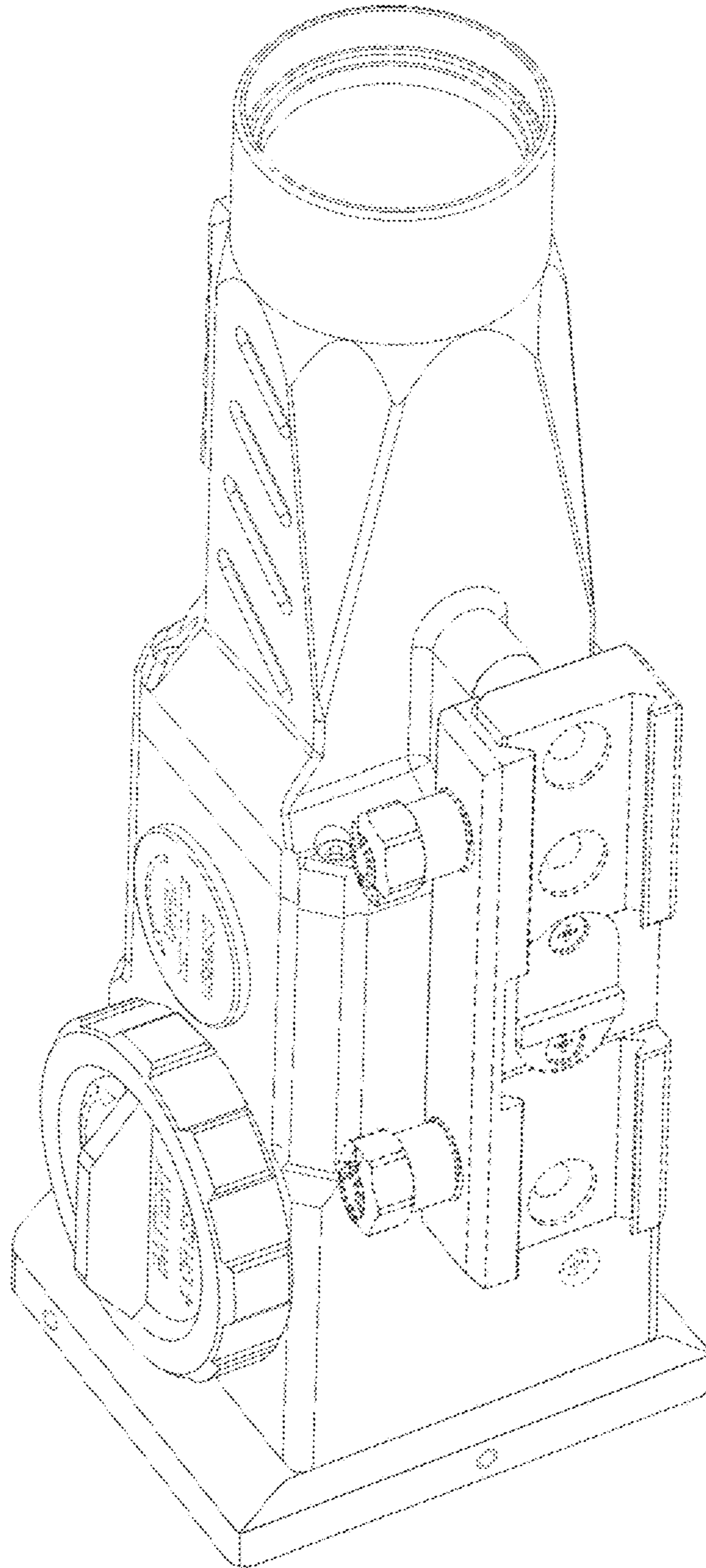


Fig. 2

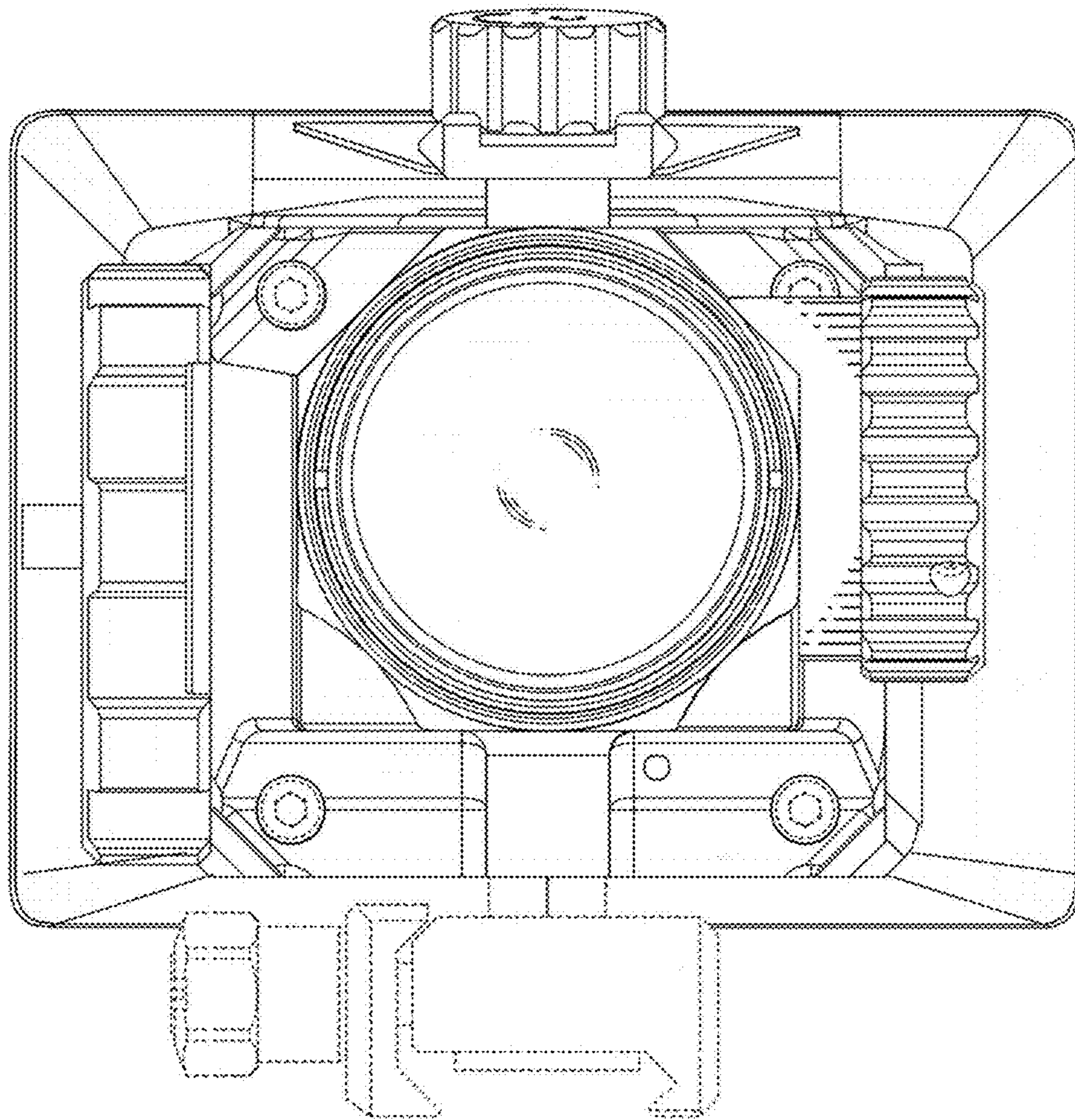


FIG. 3

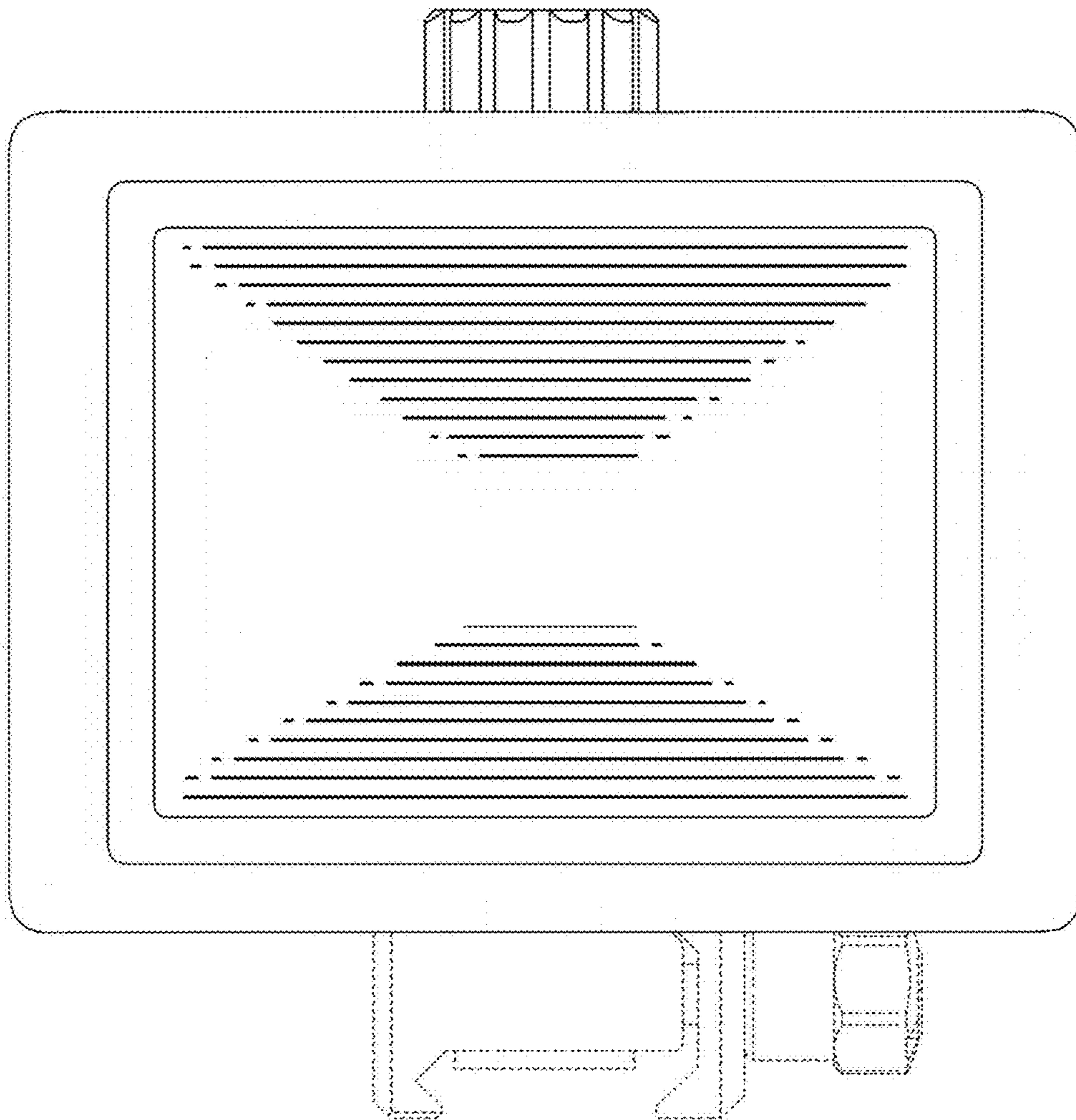


FIG. 4

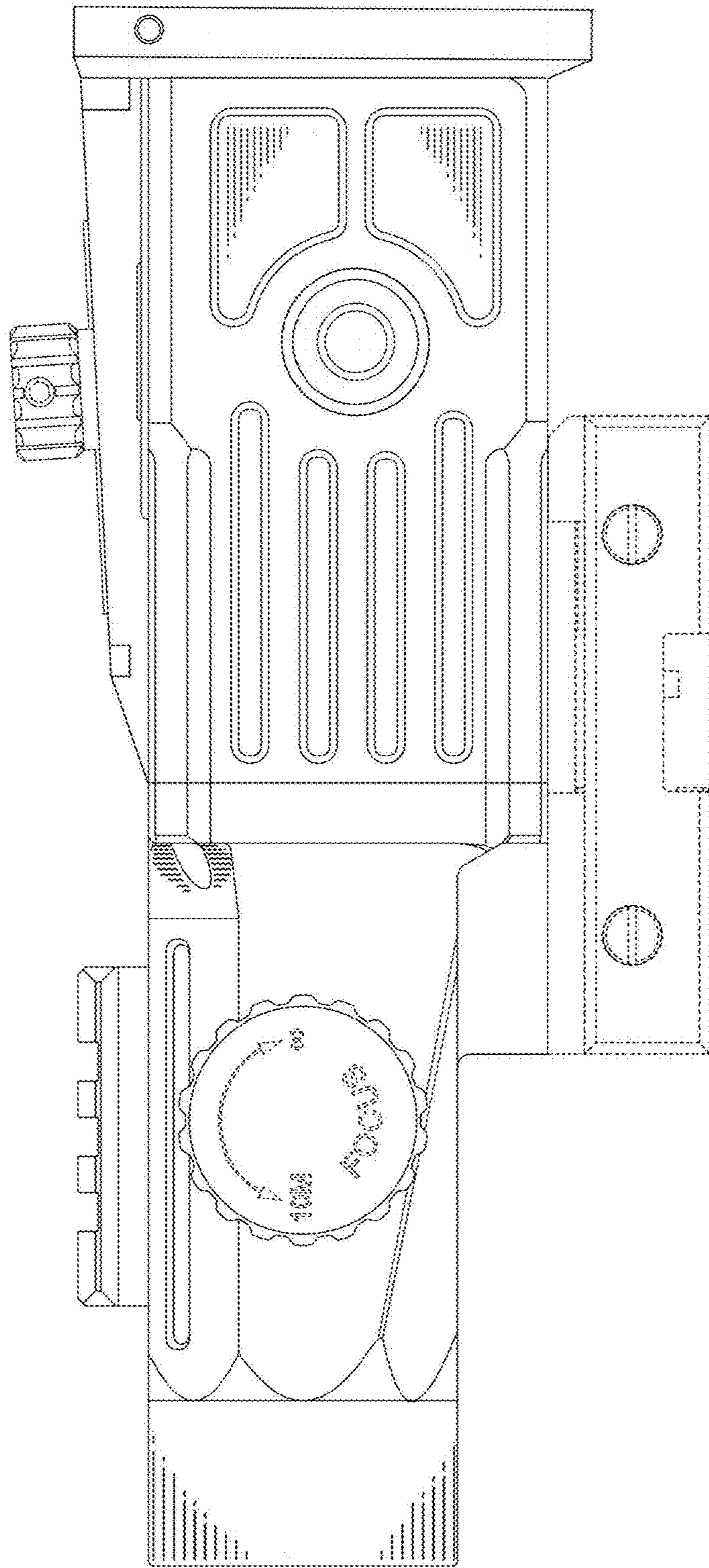


Fig. 5

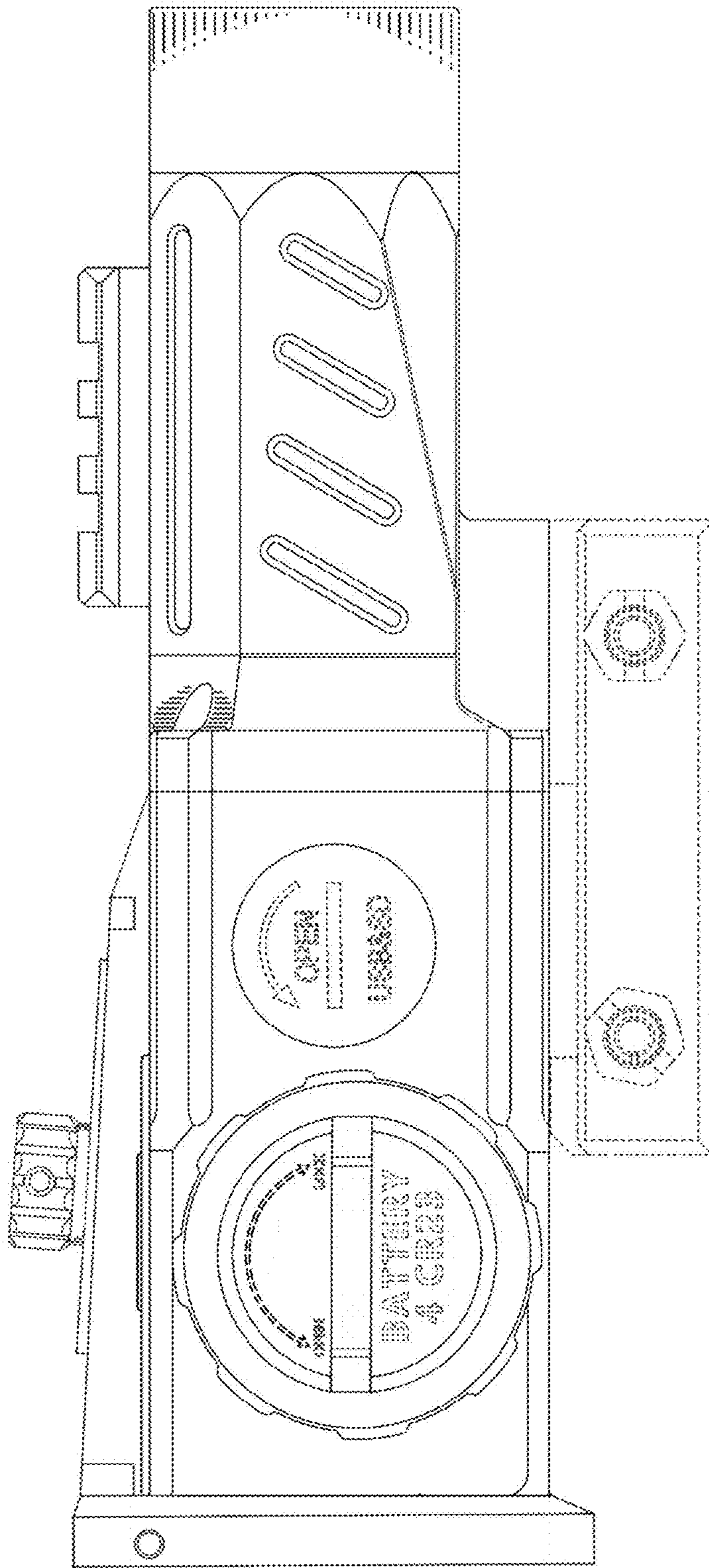


Fig. 6



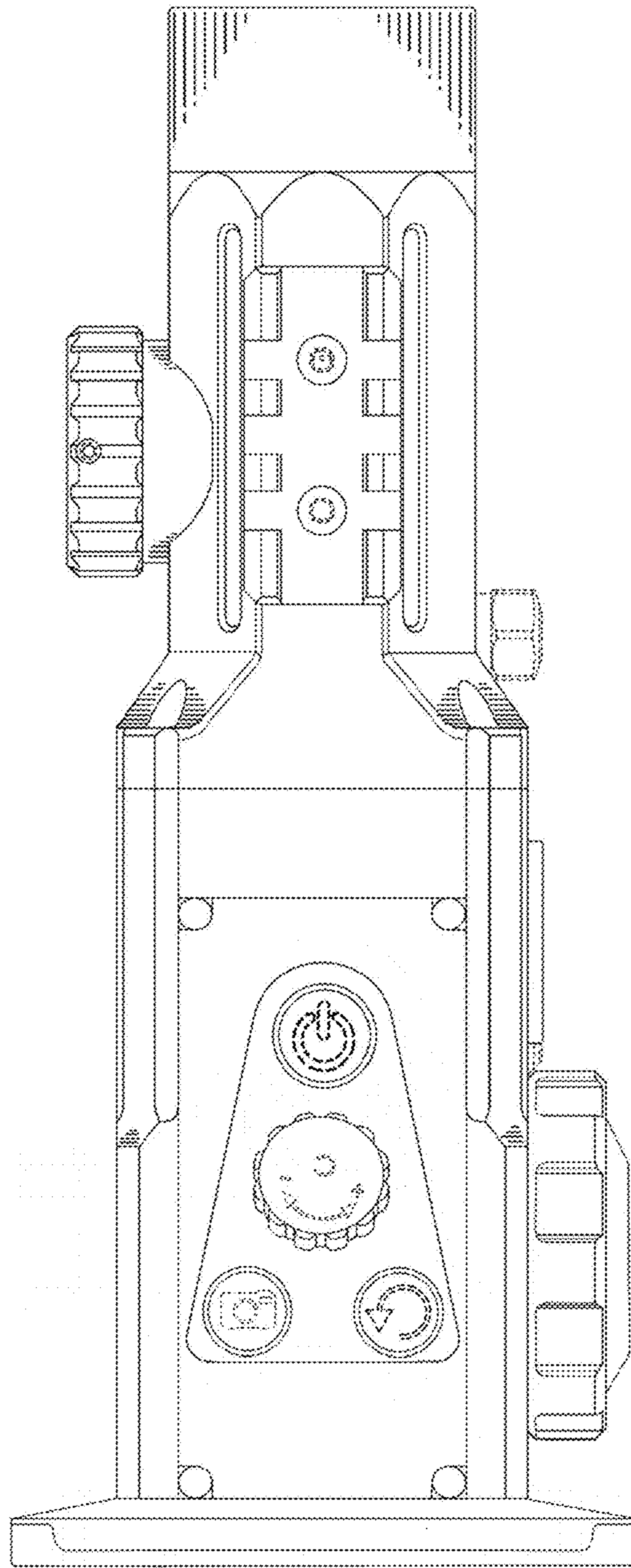


Fig. 7

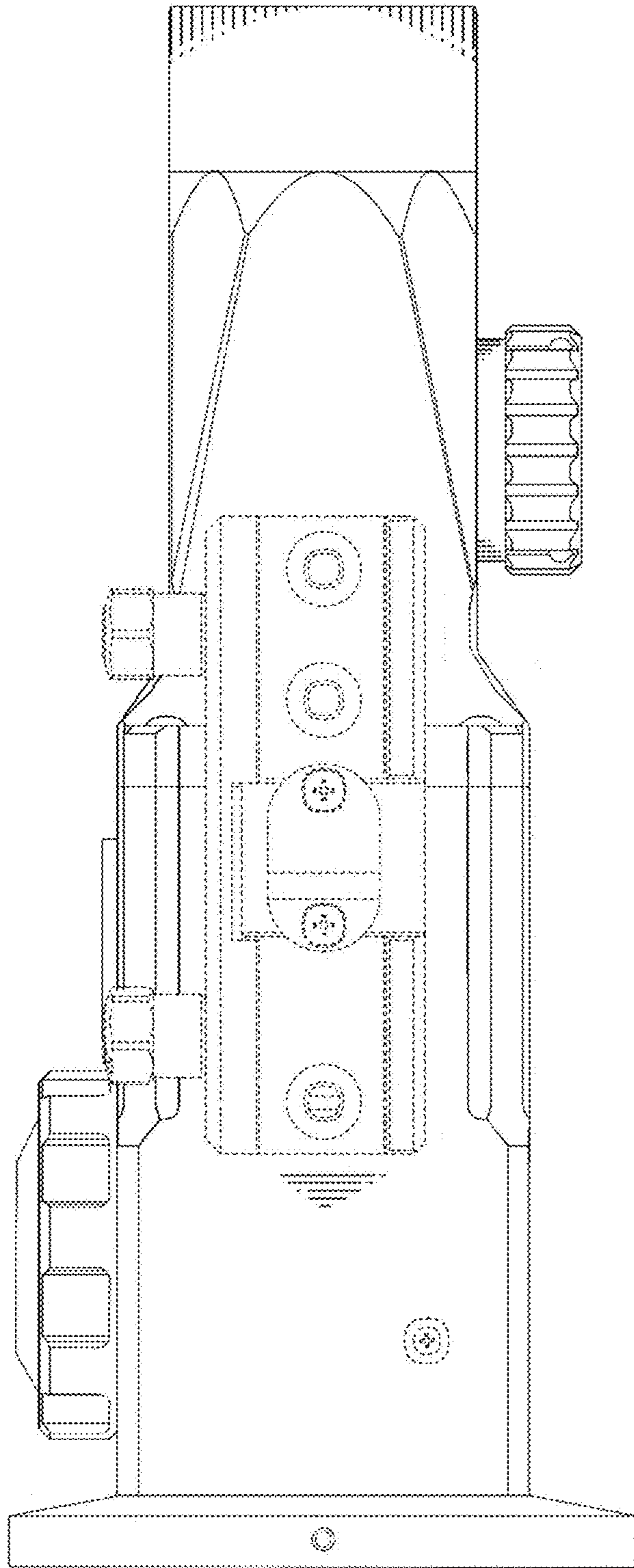


Fig. 8