



US00D841109S

(12) **United States Design Patent** (10) **Patent No.:** **US D841,109 S**
Cross (45) **Date of Patent:** **** Feb. 19, 2019**

(54) **LOWER RECEIVER FOR A FIREARM**

(71) Applicant: **Sentry Solutions Products Group LLC**, Virginia Beach, VA (US)

(72) Inventor: **Jeffrey Scott Cross**, Lexington, TN (US)

(73) Assignee: **Sentry Solutions Products Group LLC**, Virginia Beach, VA (US)

(**) Term: **15 Years**

(21) Appl. No.: **29/590,470**

(22) Filed: **Jan. 10, 2017**

Related U.S. Application Data

(62) Division of application No. 29/537,203, filed on Aug. 24, 2015, now Pat. No. Des. 795,983.

(51) **LOC (11) Cl.** **22-01**

(52) **U.S. Cl.**
USPC **D22/108**

(58) **Field of Classification Search**
USPC D22/103, 108, 199; D21/572-575
CPC F41A 21/28; F41A 5/18; F41A 5/24; F41C 23/00; F41C 27/00; F41C 27/06; F41C 23/10; F41C 23/14; F41C 23/16; F41C 23/18

See application file for complete search history.

(56) **References Cited**

U.S. PATENT DOCUMENTS

D429,861 S * 8/2000 Denney 32/40
D435,710 S * 12/2000 Denney 32/40
D603,011 S * 10/2009 Fitzpatrick D22/108
D631,933 S * 2/2011 Thompson D22/108
D636,832 S * 4/2011 Mayberry D22/108

D706,379 S * 6/2014 Iannello D22/108
D726,863 S * 4/2015 Crume, Sr. D22/108
D727,454 S * 4/2015 Robinson D22/108
D727,456 S * 4/2015 Schefter D22/108
D735,288 S * 7/2015 Gomez D22/108
D755,338 S * 5/2016 Slank D22/108
D760,860 S * 7/2016 Vincent D22/108
D769,400 S * 10/2016 Schefter D22/108
D779,621 S * 2/2017 Salvador D22/108
D782,596 S * 3/2017 Angstadt D22/108
D792,550 S * 7/2017 Smith D22/111
D795,983 S * 8/2017 Cross D22/108
2014/0041518 A1 * 2/2014 Neitzling F41A 3/26 89/191.01

* cited by examiner

Primary Examiner — Karen S Acker

Assistant Examiner — Steven B Reinholdt, Jr.

(74) *Attorney, Agent, or Firm* — Shaddock Law Group, PC

(57) **CLAIM**

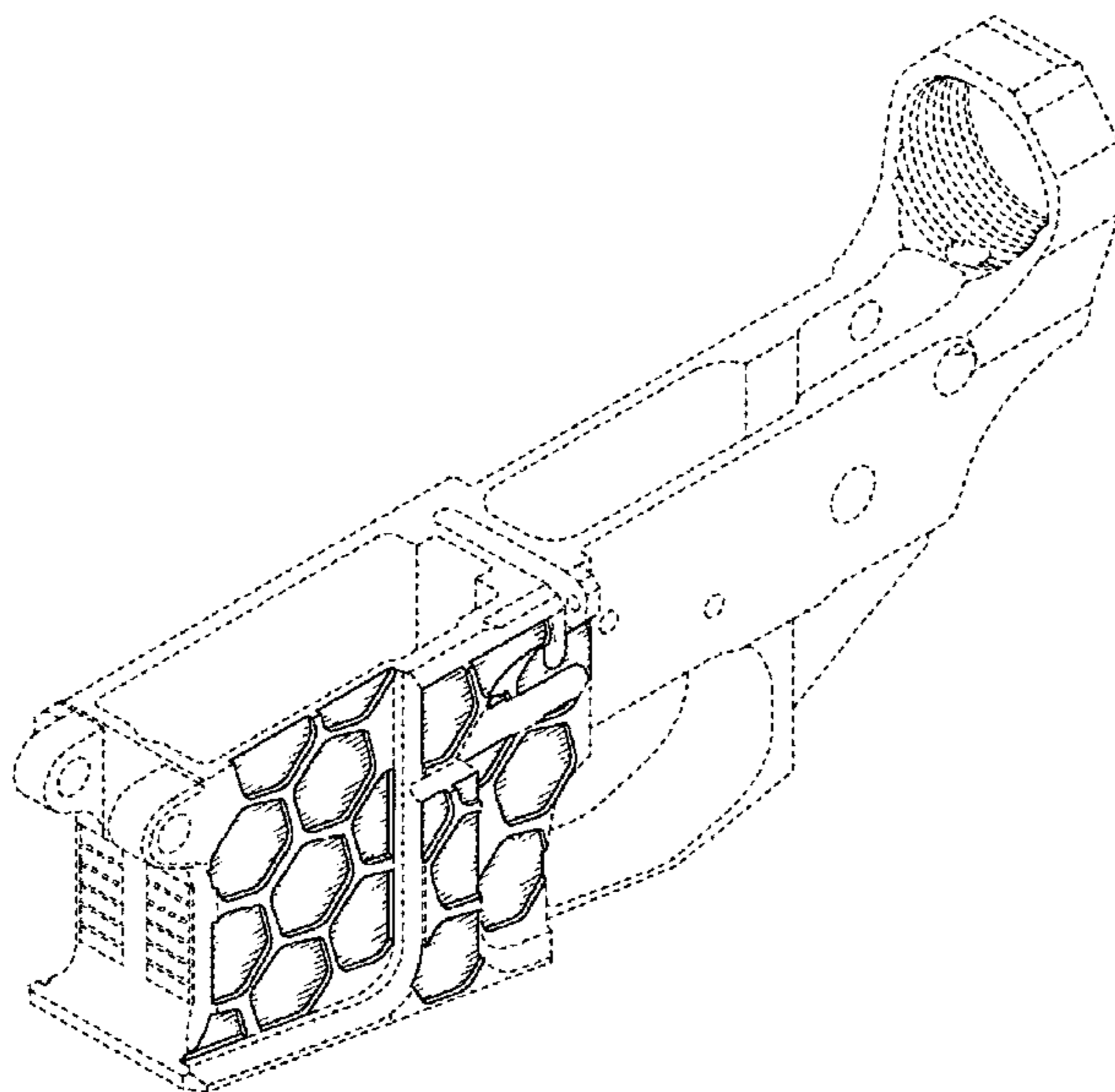
The ornamental design for a lower receiver for a firearm, as shown and described.

DESCRIPTION

FIG. 1 is an upper perspective view of a lower receiver for a firearm according to my new design;
FIG. 2 is an upper perspective view thereof;
FIG. 3 is a lower perspective view thereof;
FIG. 4 is a lower perspective view thereof;
FIG. 5 is a side view thereof;
FIG. 6 is a side view thereof; and,
FIG. 7 is a front view thereof.

The broken lines depict portions of the lower receiver for a firearm that form no part of the claimed design. Portions of the article not claimed include the planes surrounding the recessed hexagon and partial hexagon recessed features.

1 Claim, 6 Drawing Sheets



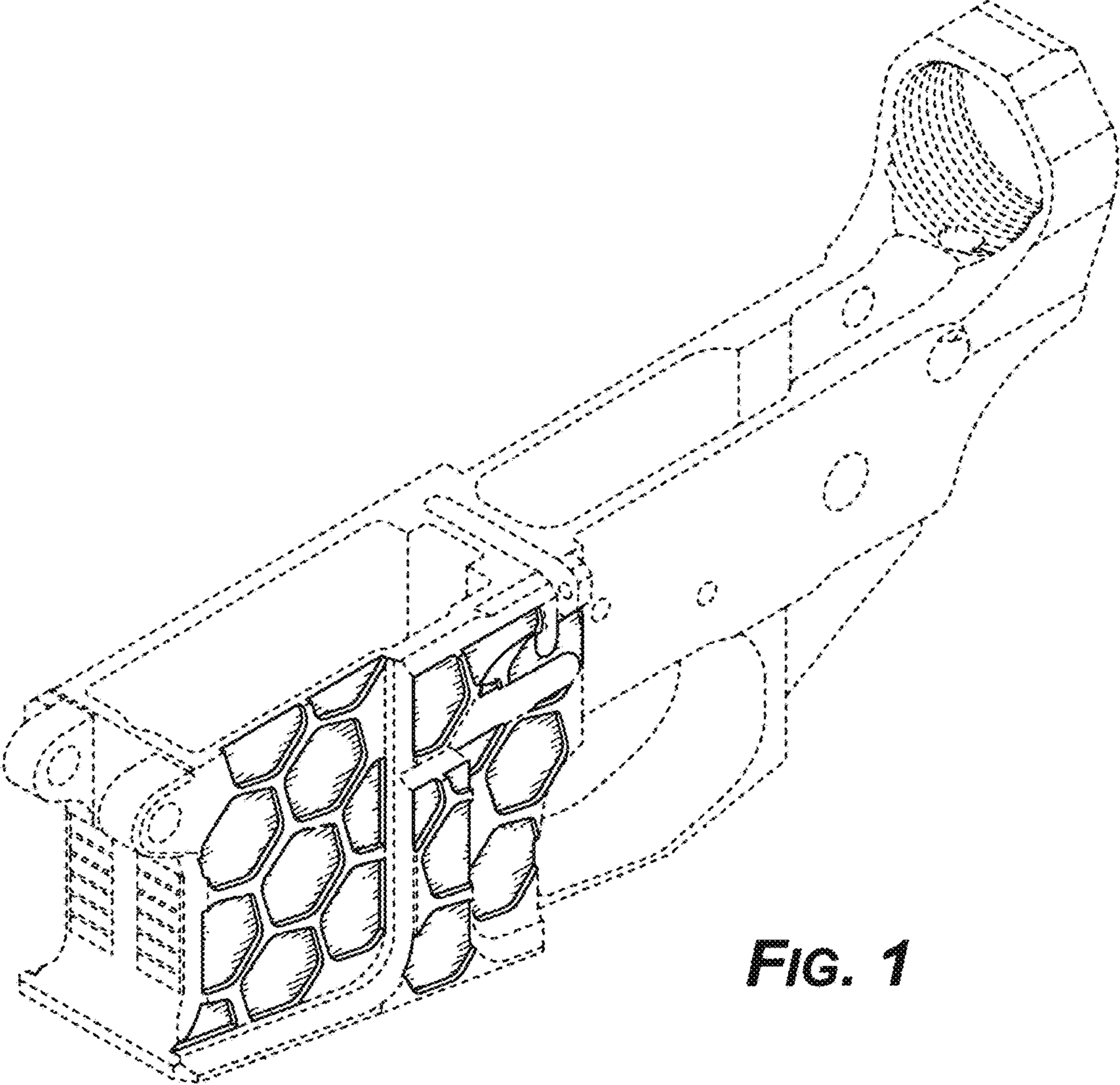


FIG. 1

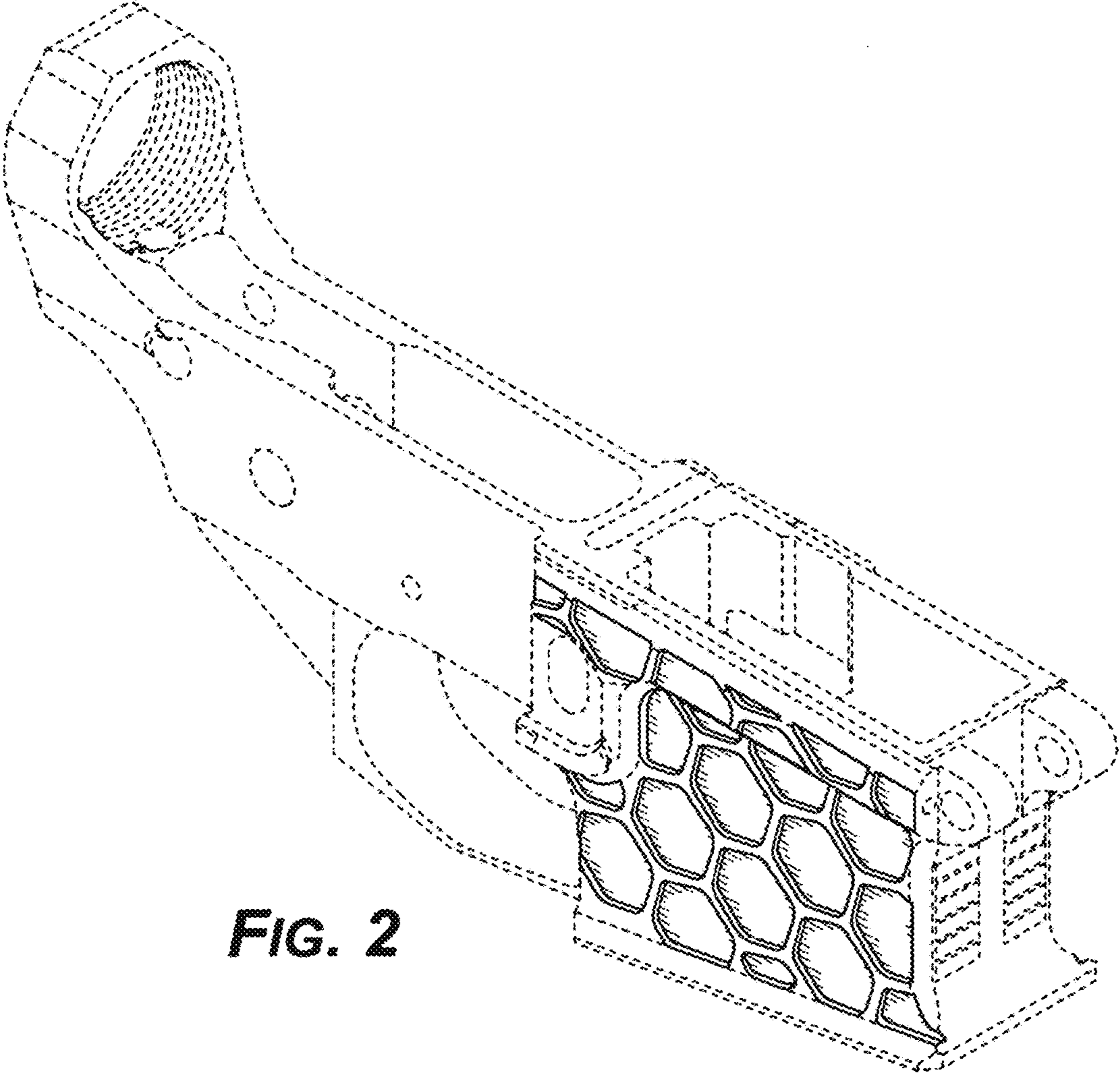


FIG. 2

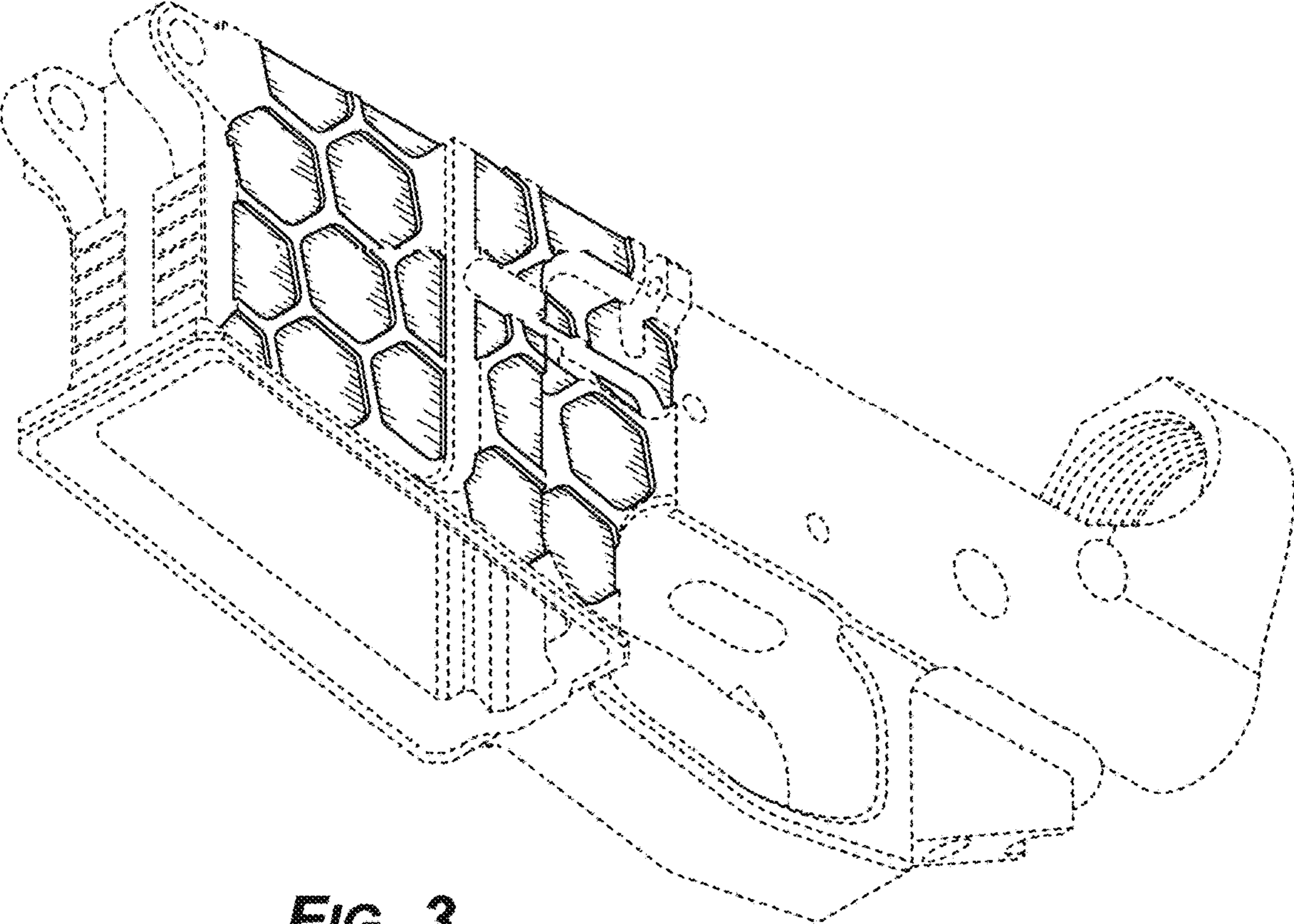


FIG. 3

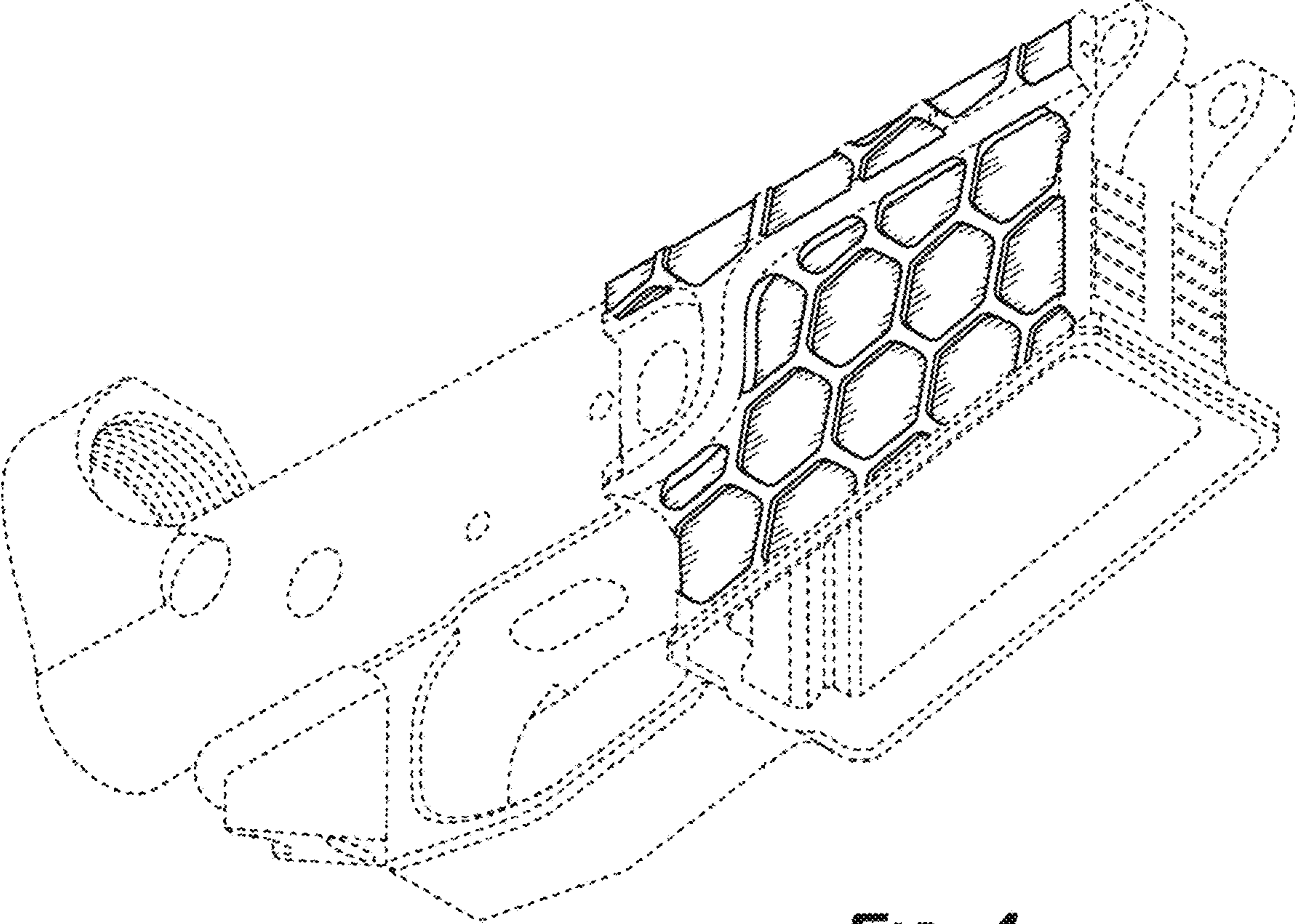


FIG. 4

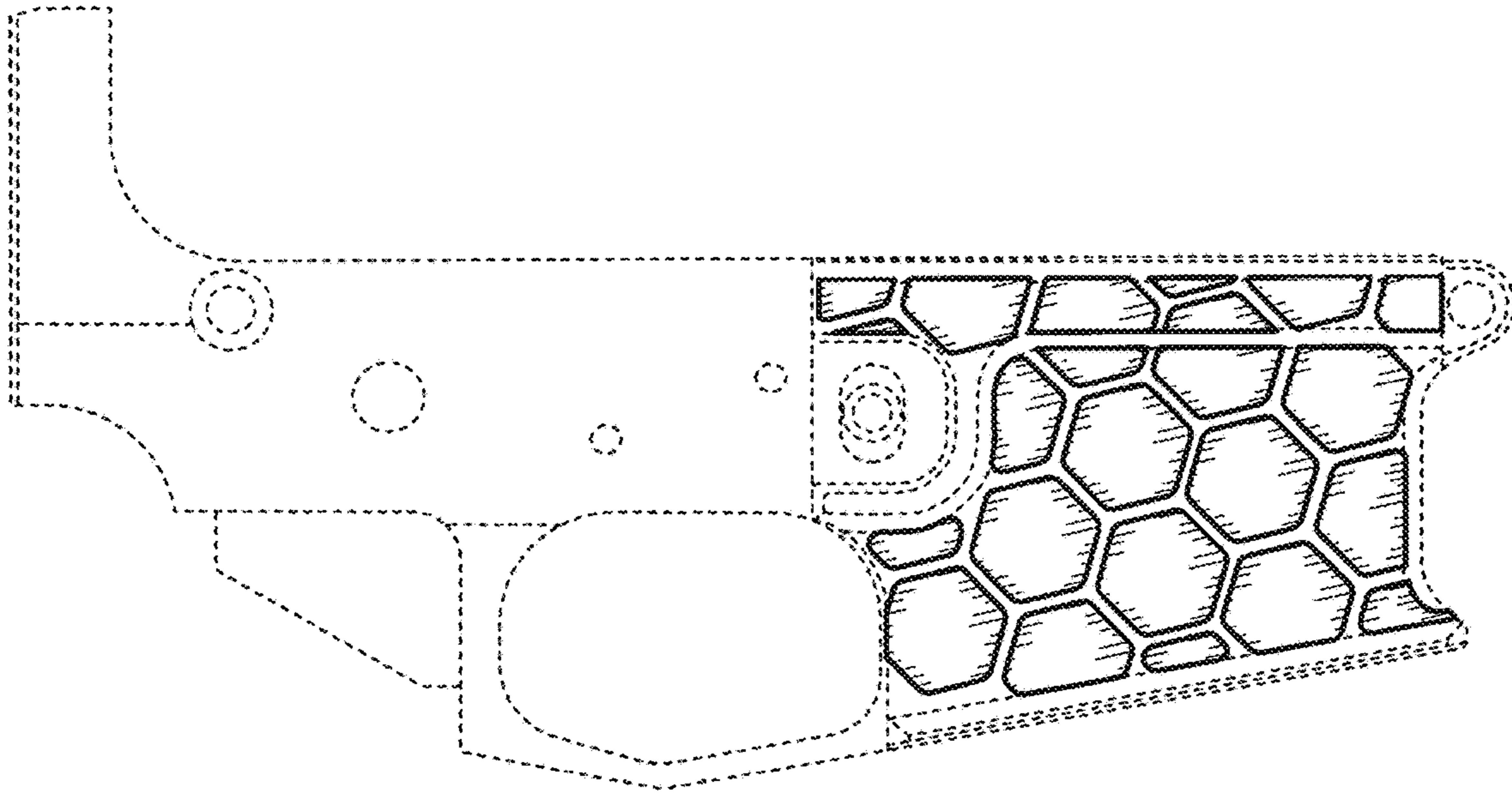


FIG. 5

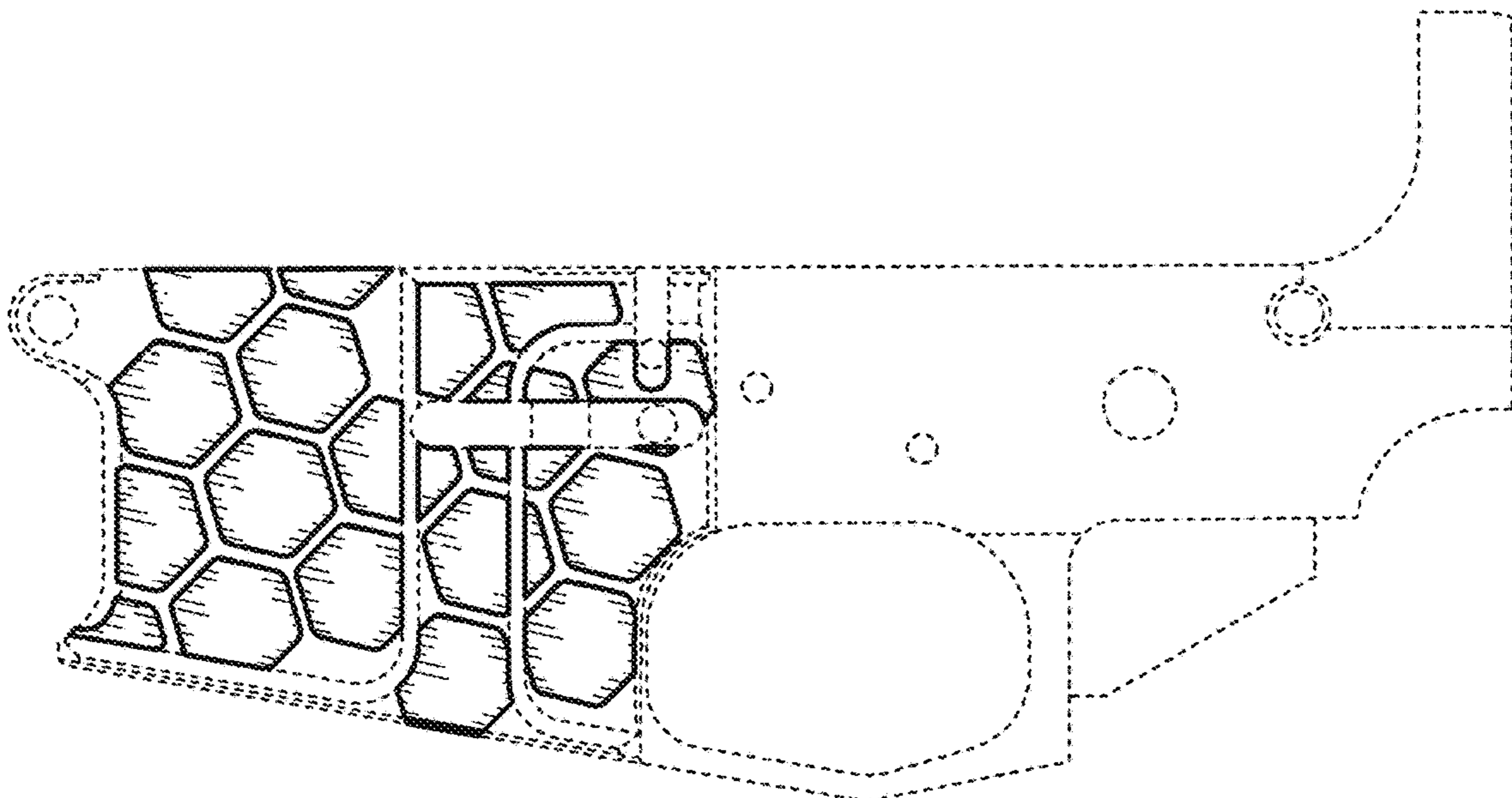


FIG. 6

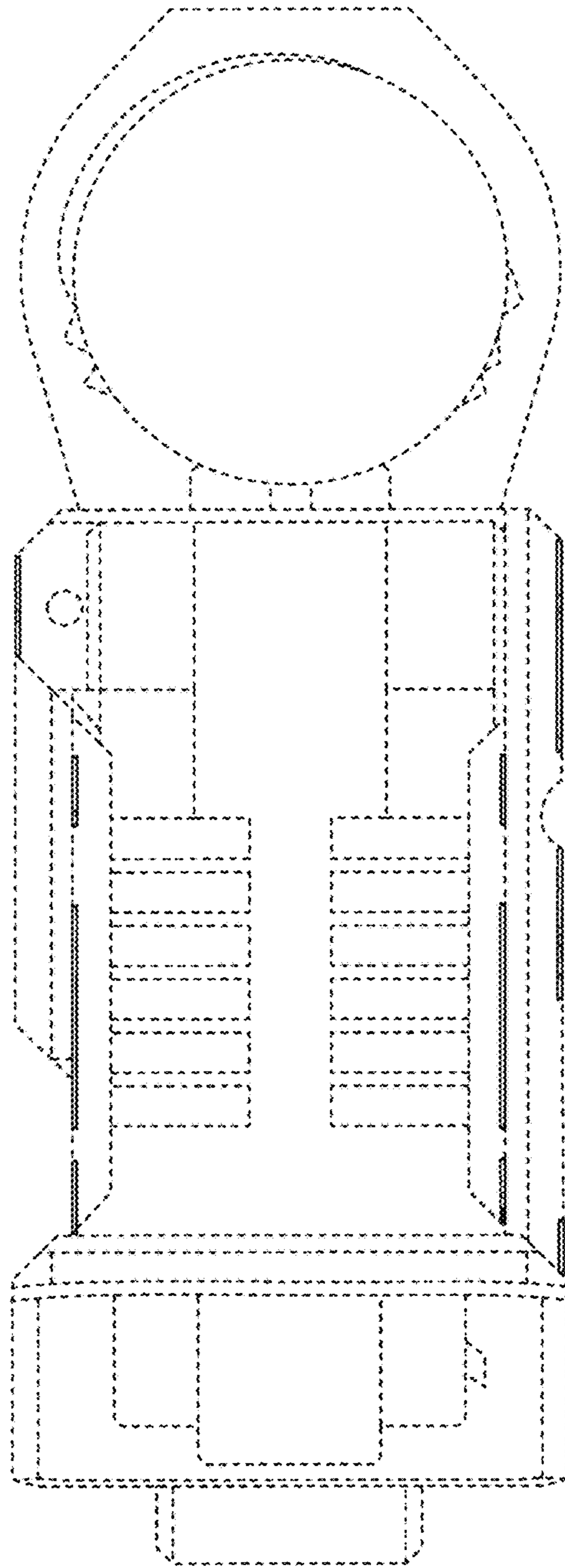


FIG. 7