

US00D841108S

(12) **United States Design Patent**
Greenwood

(10) **Patent No.:** **US D841,108 S**

(45) **Date of Patent:** **** Feb. 19, 2019**

(54) **ARROW INSERT**

(71) Applicant: **ALDILA GOLF CORP.**, Poway, CA (US)

(72) Inventor: **Stephen Greenwood**, Brea, CA (US)

(73) Assignee: **Aldila Golf Corporation**, Carlsbad, CA (US)

(**) Term: **15 Years**

(21) Appl. No.: **29/599,311**

(22) Filed: **Mar. 31, 2017**

(51) **LOC (11) Cl.** **22-01**

(52) **U.S. Cl.**
USPC **D22/107; D22/115**

(58) **Field of Classification Search**
USPC D22/100, 101, 102, 103, 104, 105, 106, D22/107, 108, 109, 110, 111, 199; D21/567, 570, 571, 573, 574, 575, 746
CPC F41B 5/14; F41B 5/00; F41C 27/00; F41C 23/14; F41C 23/06; F41C 3/00; F41C 7/00; F41C 23/20; F41C 23/08; F41C 23/10; F41G 11/003; F41G 1/18; F41G 1/38; F41G 1/545

See application file for complete search history.

(56) **References Cited**

U.S. PATENT DOCUMENTS

D244,448 S *	5/1977	Bonine	D22/115
4,943,067 A *	7/1990	Saunders	F42B 6/04 403/13
D338,942 S *	8/1993	Giannetti	D22/115
D347,045 S *	5/1994	Tomblin	D22/115
D377,078 S *	12/1996	Coffey	D22/100
D389,220 S *	1/1998	Coffey	D22/100
D392,712 S *	3/1998	Hammans	D22/100
D395,482 S *	6/1998	Coffey	D22/100
D406,300 S *	3/1999	Fitzgerald, Jr.	D22/100
D435,884 S *	1/2001	Dehaan	D21/572

D581,006 S *	11/2008	Smith	D22/107
8,057,330 B2 *	11/2011	Blosser	F42B 6/04 473/582
D658,737 S *	5/2012	Giles	D22/107
D659,218 S *	5/2012	Palomaki	D22/107
D674,864 S *	1/2013	Ward	D22/115
D701,585 S *	3/2014	Marshall, Jr.	F42B 6/06 D22/108
D766,396 S *	9/2016	Scull	D22/108
D792,549 S *	7/2017	McKillips	D22/108
2007/0082767 A1 *	4/2007	Smith	F42B 6/04 473/582
2009/0163308 A1 *	6/2009	Odabachian	F42B 6/08 473/582

(Continued)

OTHER PUBLICATIONS

<https://www.amazon.com/Victory-Archery-Grain-Inserts-Black/dp/B01EU8841E>—Earliest product review date of Jun. 28, 2017.*

(Continued)

Primary Examiner — Manpreet S Matharu

Assistant Examiner — Mojtaba Tehrani

(74) *Attorney, Agent, or Firm* — Joseph Sherinsky

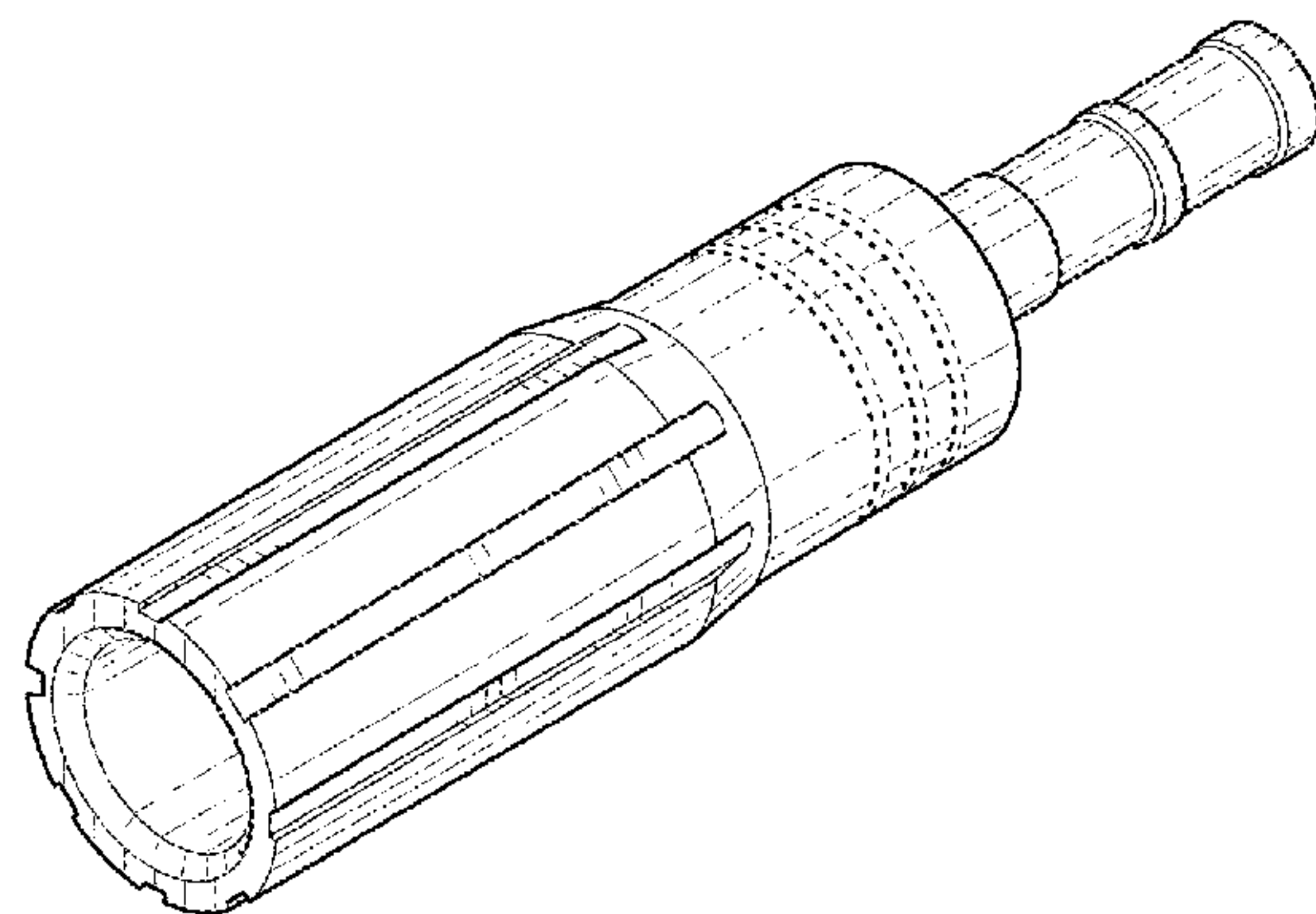
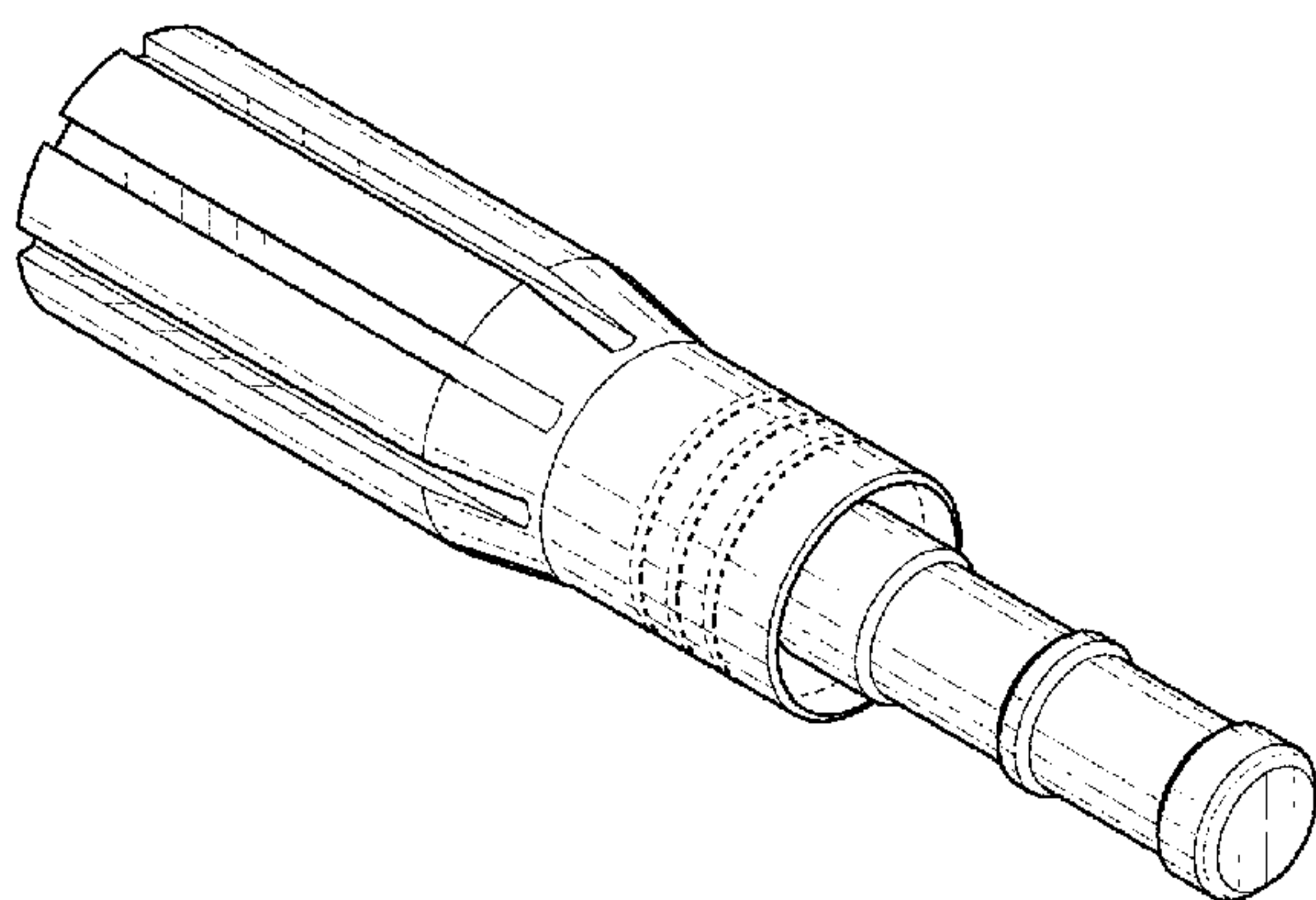
(57) **CLAIM**

The ornamental design for an arrow insert, as shown and described.

DESCRIPTION

FIG. 1 is a front perspective view of an arrow insert, showing my new design;
FIG. 2 is a bottom plan view thereof;
FIG. 3 is a top plan view thereof;
FIG. 4 is a side elevation view thereof; other sides being identical thereto; and,
FIG. 5 is a bottom perspective view thereof.
The broken lines in the figures represent the unclaimed portion of the design only and form no part of the claim.

1 Claim, 3 Drawing Sheets



(56)

References Cited

U.S. PATENT DOCUMENTS

2012/0149506 A1* 6/2012 Connolly F42B 6/04
473/578
2016/0010959 A1* 1/2016 Greenwood F42B 6/08
473/585
2017/0138706 A1* 5/2017 Greenwood

OTHER PUBLICATIONS

<https://www.amazon.com/Gold-Tip-Standard-Inserts-12-Pack/dp/B0009TROI8>—Retrieved on Feb. 24, 2018.*

* cited by examiner

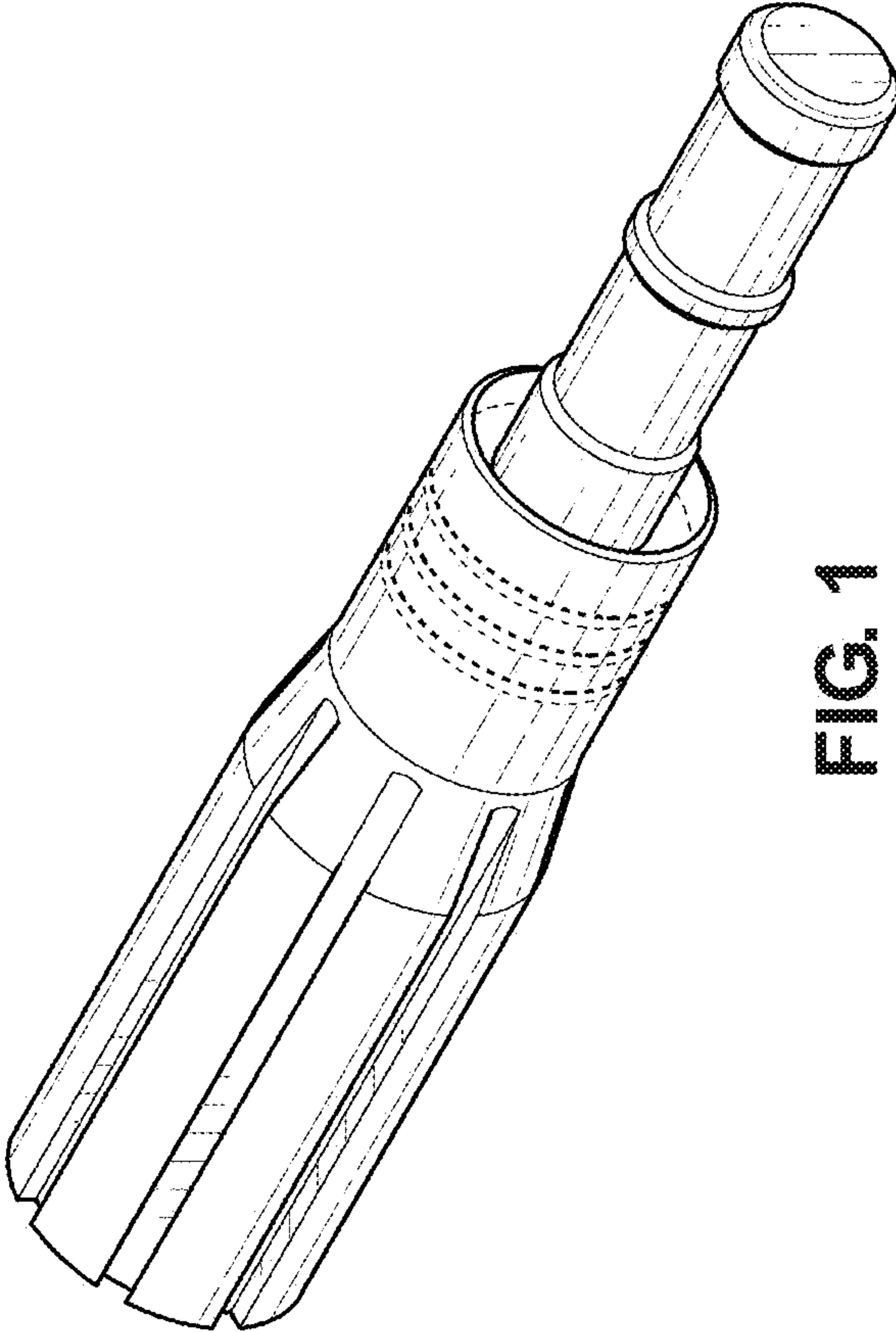


FIG. 1

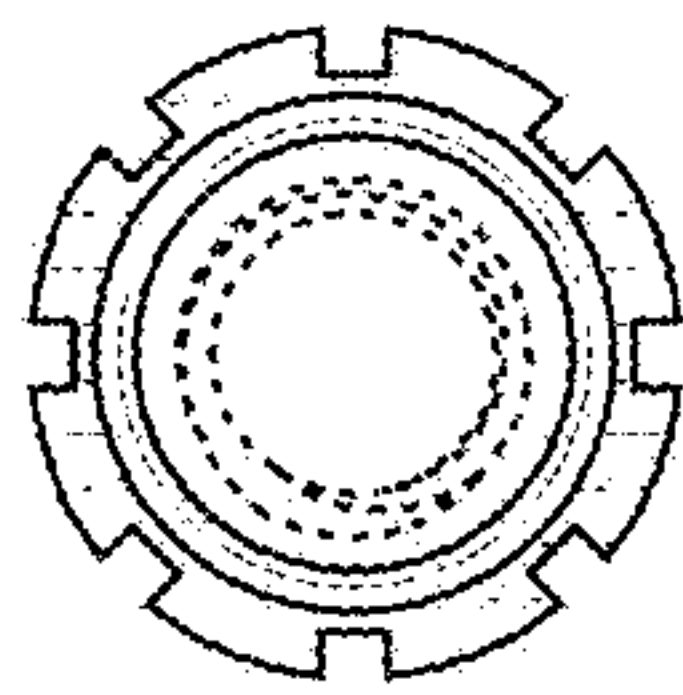


FIG. 2

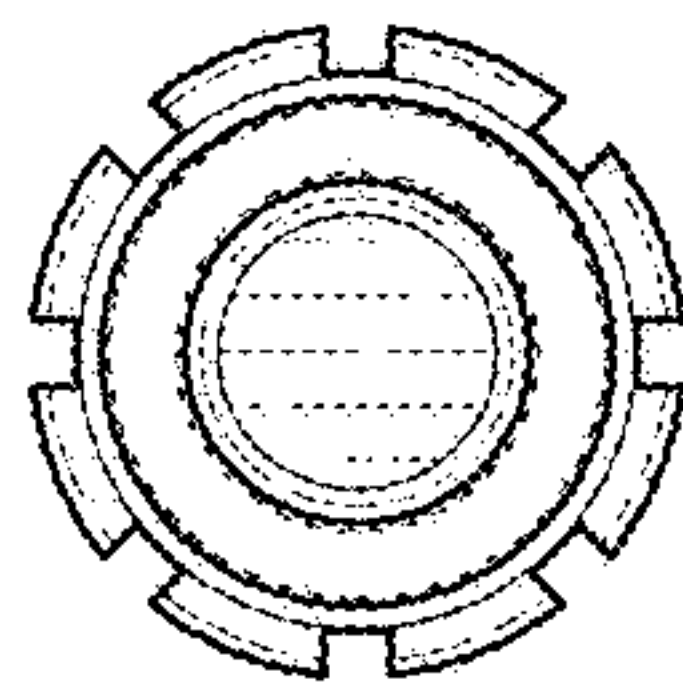


FIG. 3

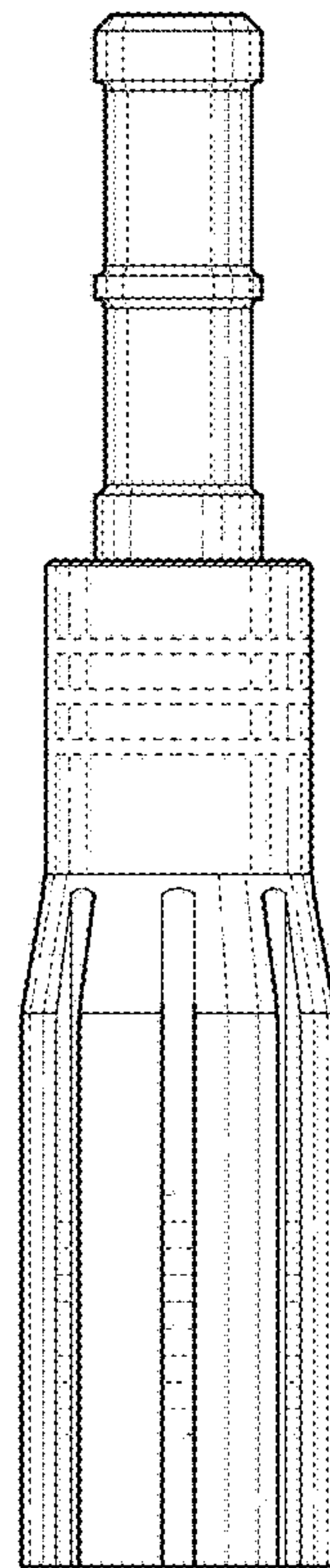


FIG. 4

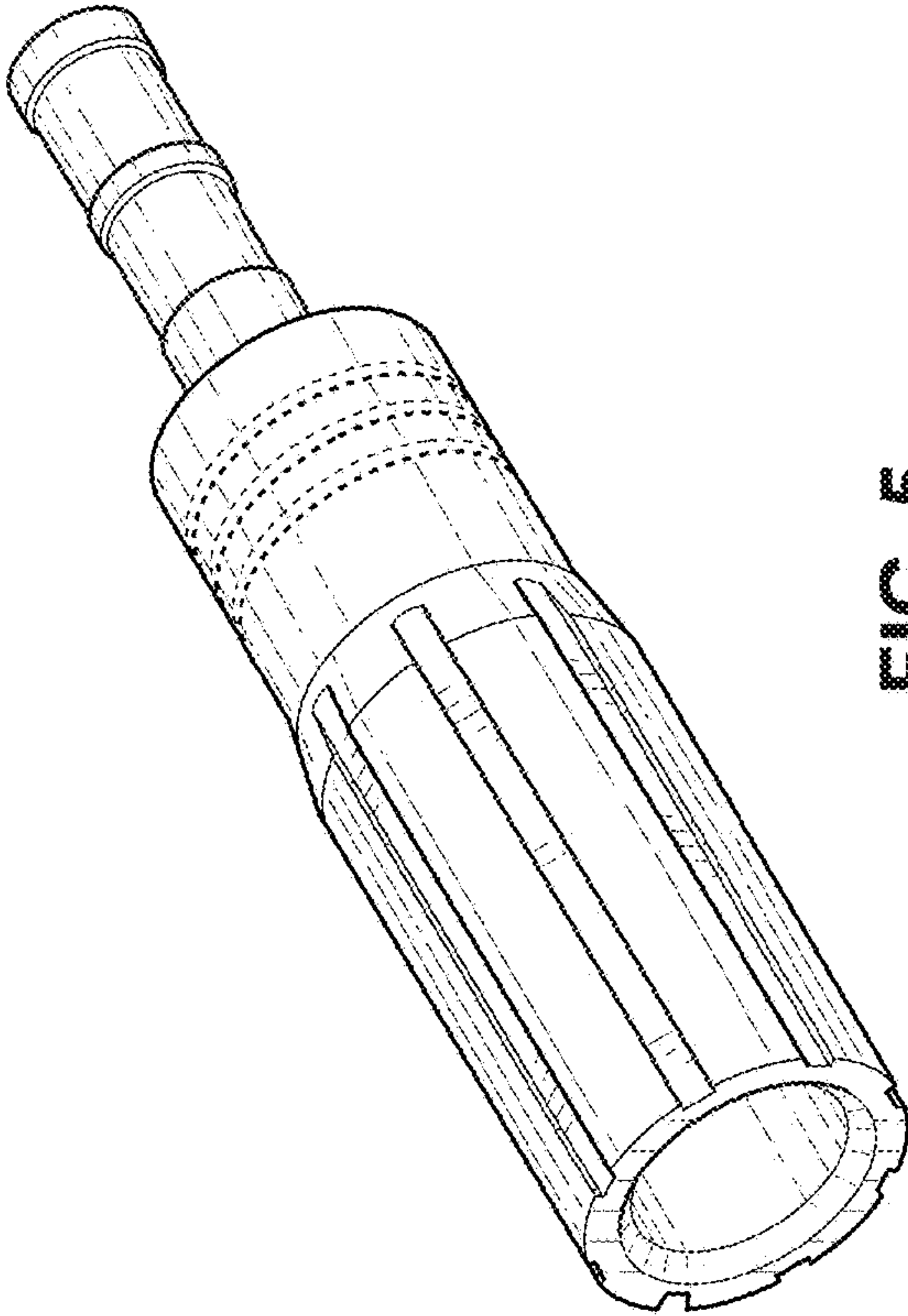


FIG. 5