



US00D841107S

(12) **United States Design Patent** (10) **Patent No.:** **US D841,107 S**
Zhu (45) **Date of Patent:** **** Feb. 19, 2019**

(54) **TENT**

(71) Applicant: **Wenjie Zhu**, Danyang (CN)

(72) Inventor: **Wenjie Zhu**, Danyang (CN)

(73) Assignee: **Wenjie Zhu** (CN)

(**) Term: **15 Years**

(21) Appl. No.: **29/640,227**

(22) Filed: **Mar. 13, 2018**

(51) **LOC (11) Cl.** **21-04**

(52) **U.S. Cl.**
USPC **D21/834**; D21/837

(58) **Field of Classification Search**
USPC D21/834, 835, 836, 837, 838, 839, 840
CPC E04H 15/00; E04H 15/02; E04H 15/18;
E04H 15/28; E04H 15/32; E04H 15/34;
E04H 15/40; E04H 15/42; E04H 15/425;
E04H 15/50

See application file for complete search history.

(56) **References Cited**

U.S. PATENT DOCUMENTS

D366,511 S *	1/1996	Coddington, Jr.	D21/834
D661,362 S *	6/2012	Zimmer	D21/834
D763,391 S *	8/2016	Xu	D21/837
D773,579 S *	12/2016	Shir	D21/837
D775,296 S *	12/2016	Shir	D21/837
D778,383 S *	2/2017	Xu	D21/837
D795,980 S *	8/2017	Xiao	D21/834
D822,141 S *	7/2018	Xiao	D21/837
D823,968 S *	7/2018	Xiao	D21/837
D824,474 S *	7/2018	Xiao	D21/837

* cited by examiner

Primary Examiner — Robin V Webster

Assistant Examiner — Keith J Wilson

(74) *Attorney, Agent, or Firm* — PROI Intellectual Property US

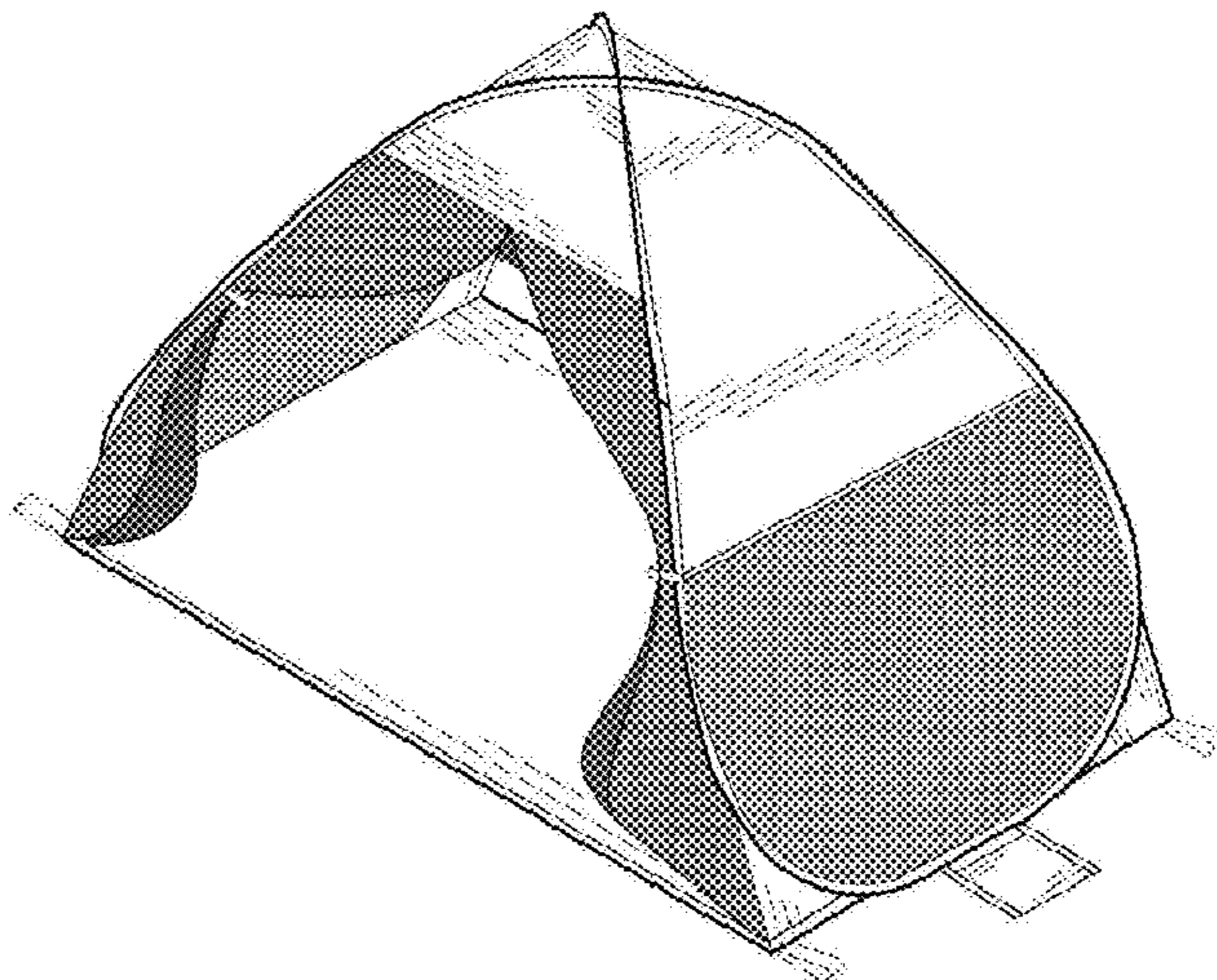
(57) **CLAIM**

The ornamental design for a tent, as shown and described.

DESCRIPTION

FIG. 1 is a perspective top View of a tent with its front openings all open;
 FIG. 2 is a perspective front View thereof with its front openings all open;
 FIG. 3 is a perspective rear View thereof with its rear opening open;
 FIG. 4 is a perspective rear View thereof with its rear opening closed;
 FIG. 5 is a perspective front View thereof with its openings all closed;
 FIG. 6 is a perspective top View thereof with its openings all closed;
 FIG. 7 is a front View thereof with its front openings all open;
 FIG. 8 is a front View thereof with its front openings all open;
 FIG. 9 is a front View thereof with its front openings all closed;
 FIG. 10 is a rear View thereof with its rear opening open;
 FIG. 11 is a rear View thereof with its rear opening closed;
 FIG. 12 is a top View thereof with its openings all closed;
 FIG. 13 is a left-side View thereof with its left-side opening open;
 FIG. 14 is a left-side View thereof with its left-side opening closed; and,
 FIG. 15 is a right-side View thereof with its right-side opening open.

1 Claim, 15 Drawing Sheets



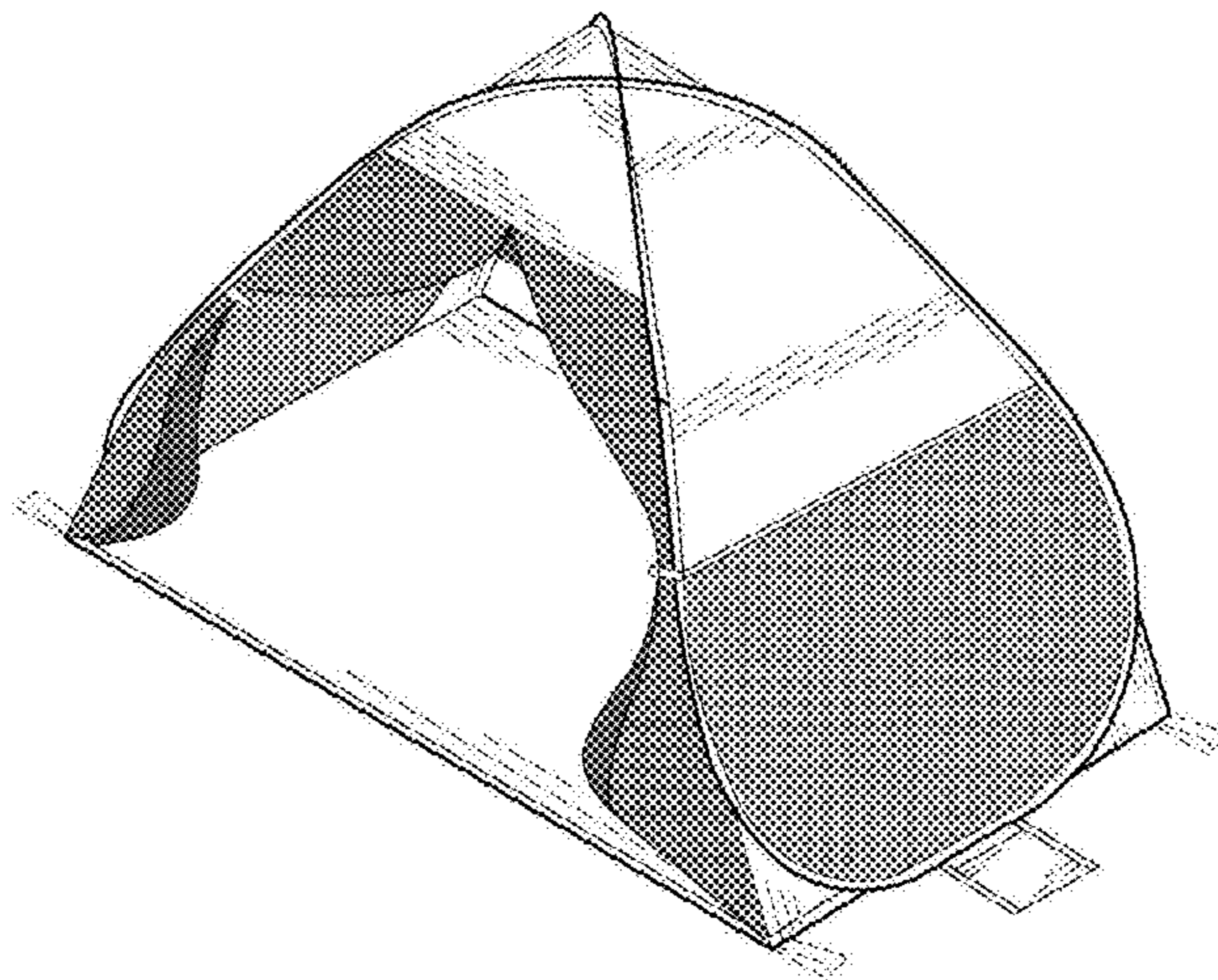


Fig. 1

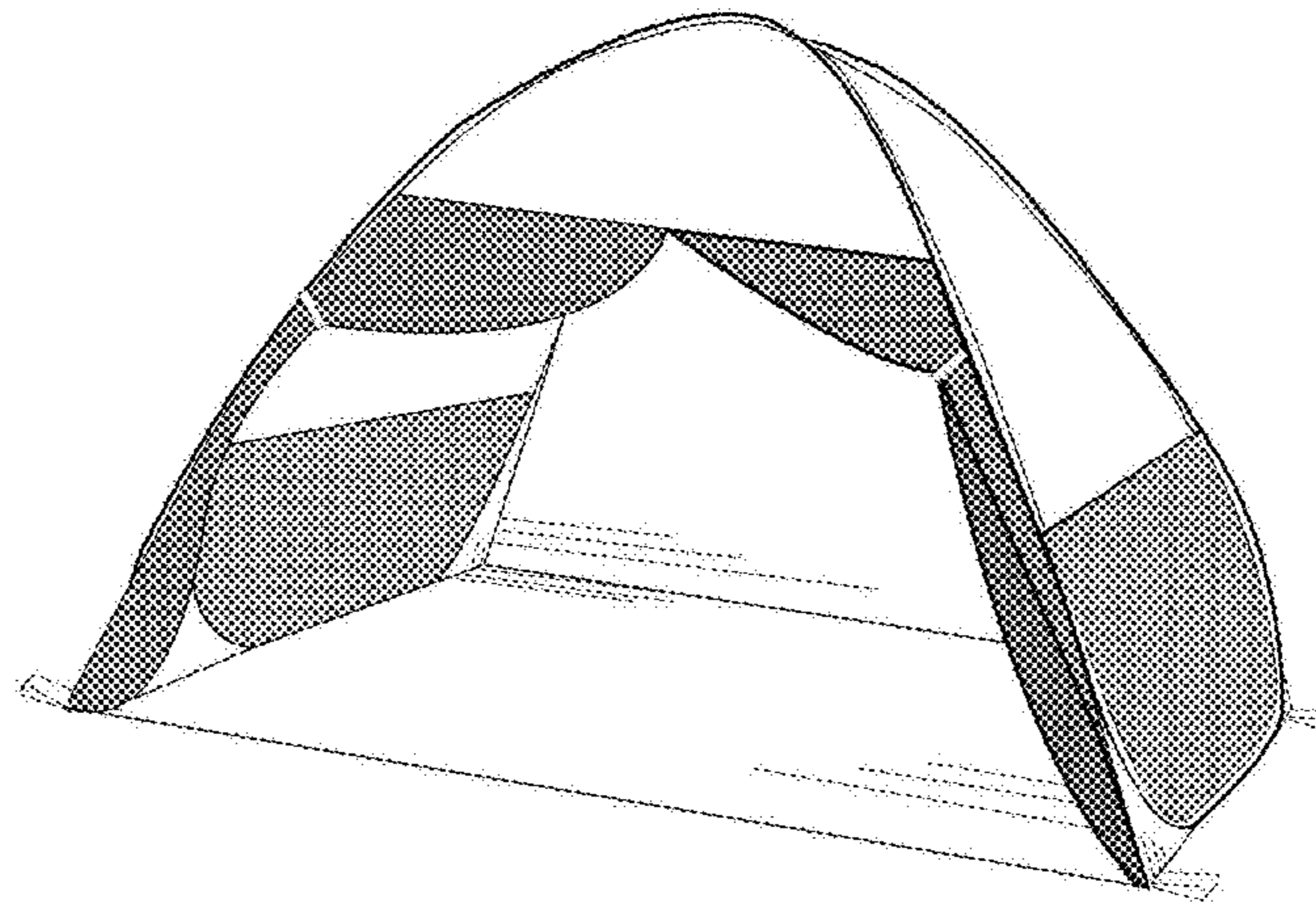


Fig. 2

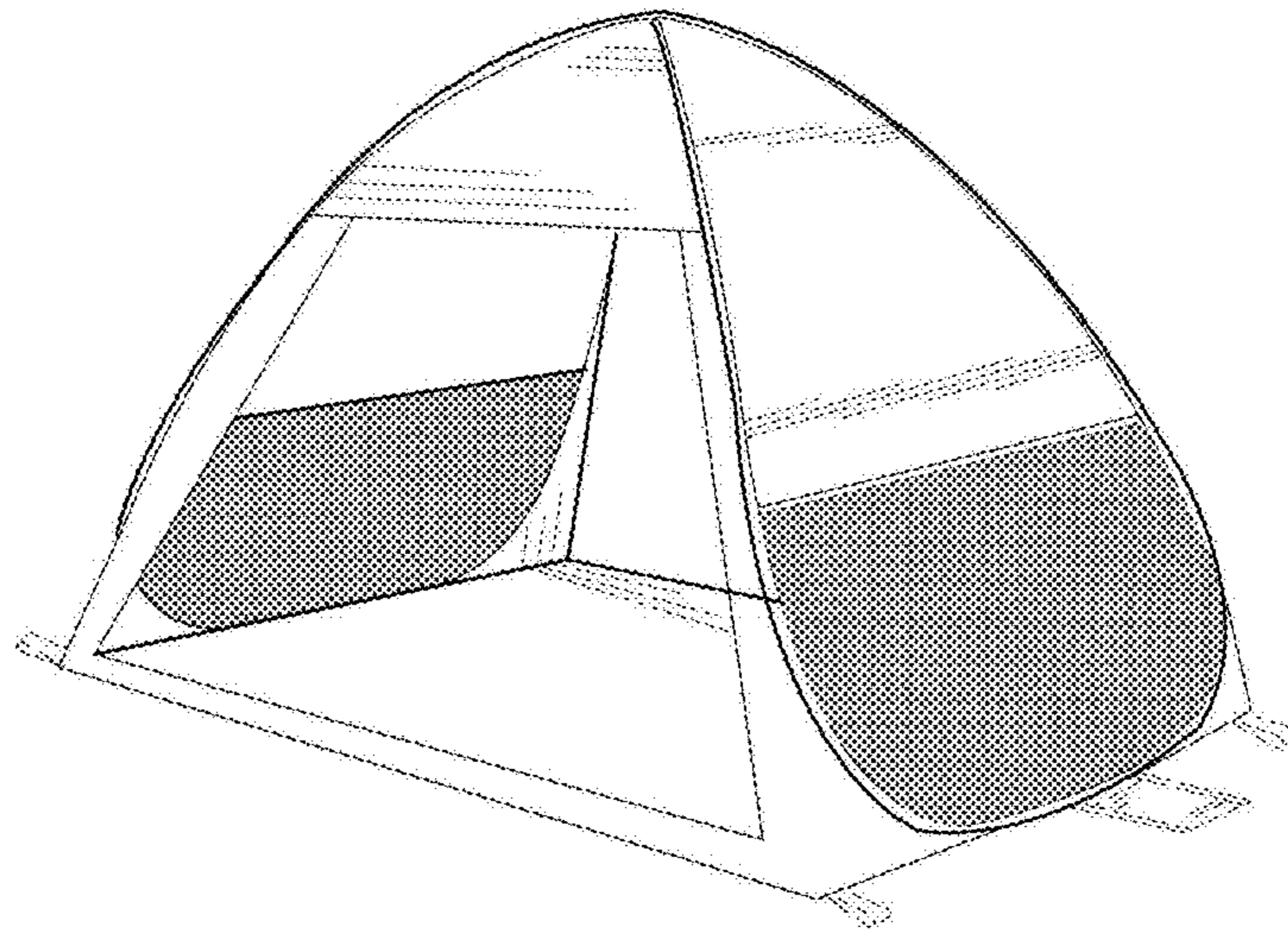


Fig. 3

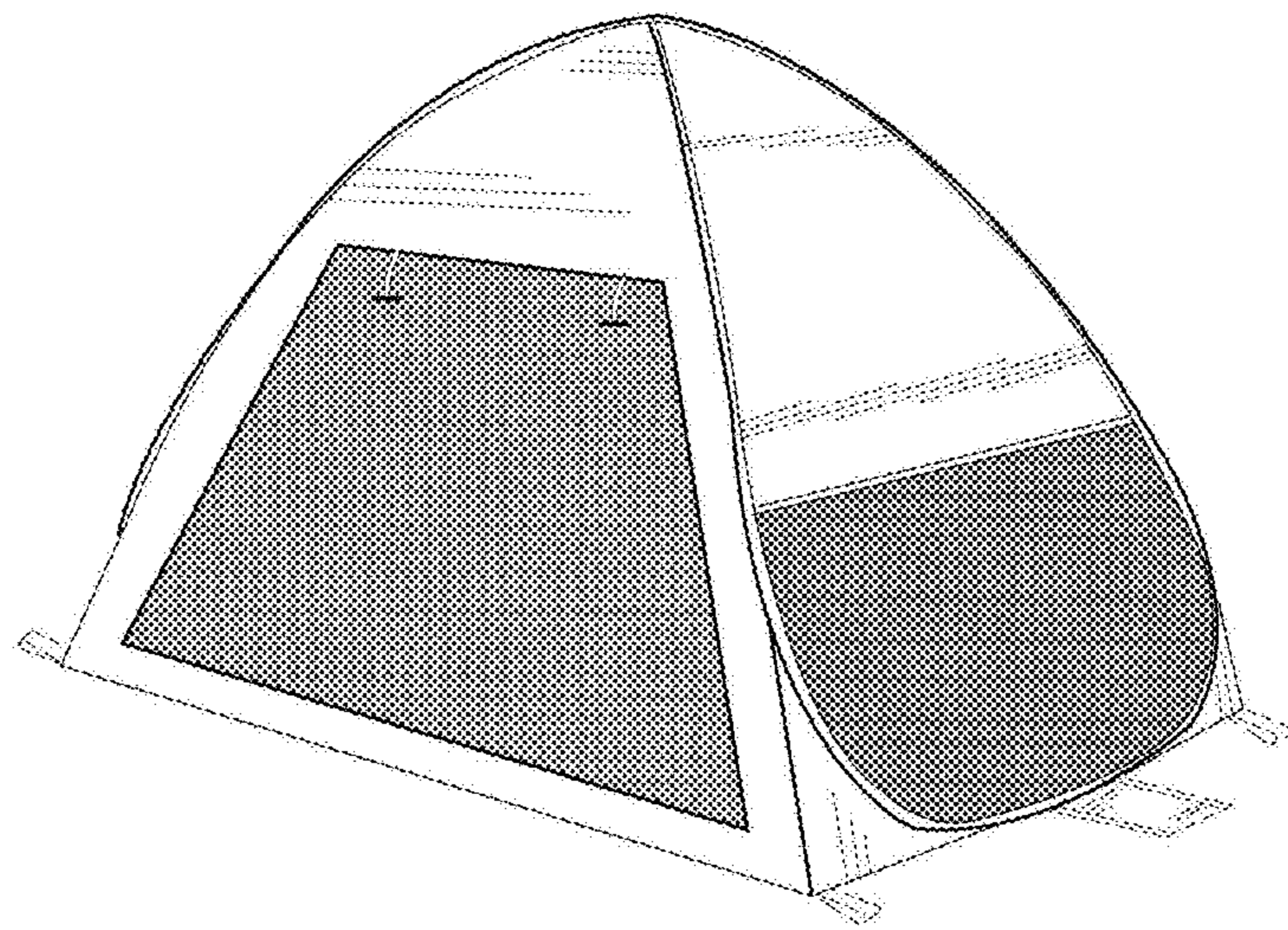


Fig. 4

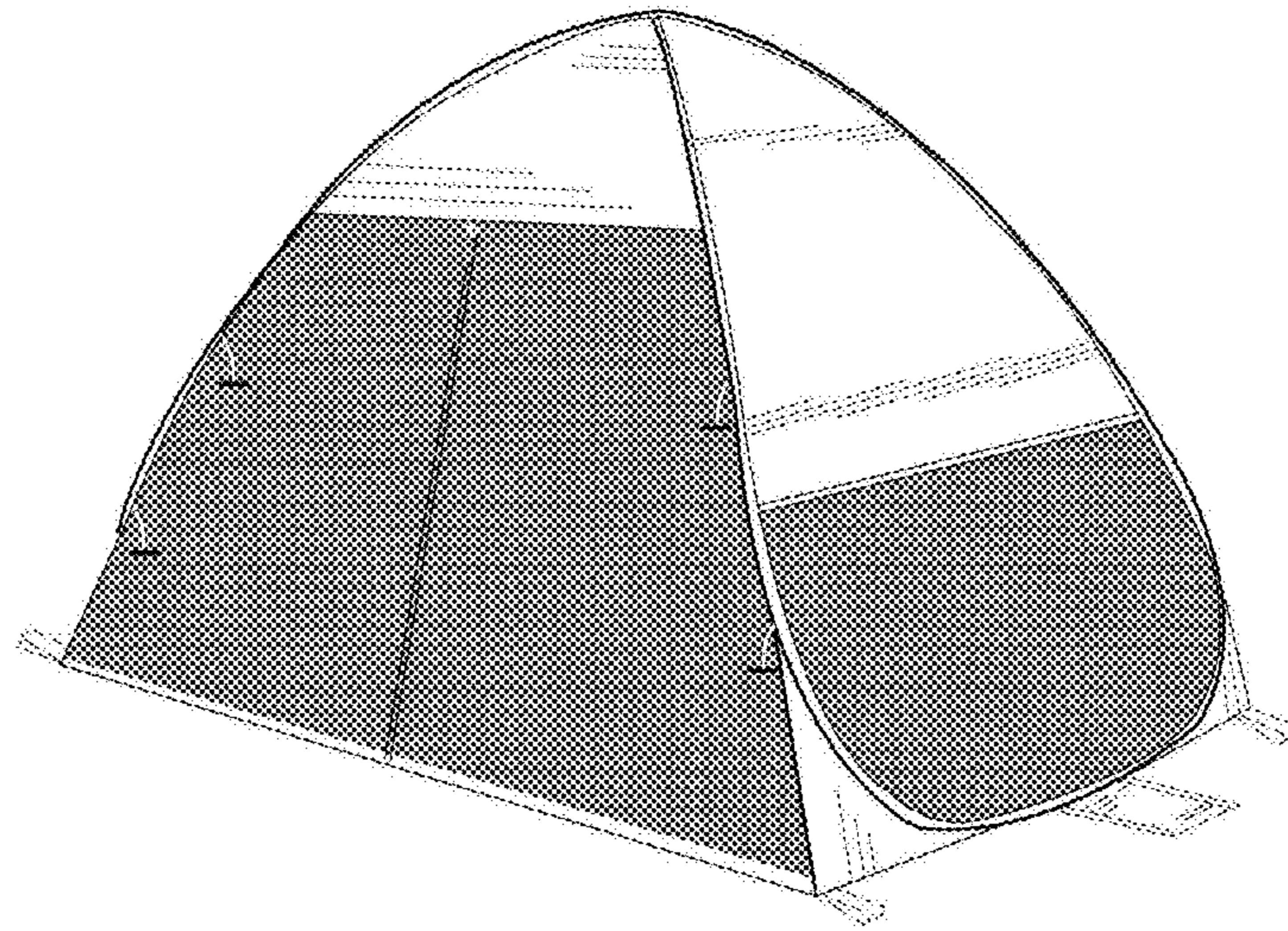


Fig. 5

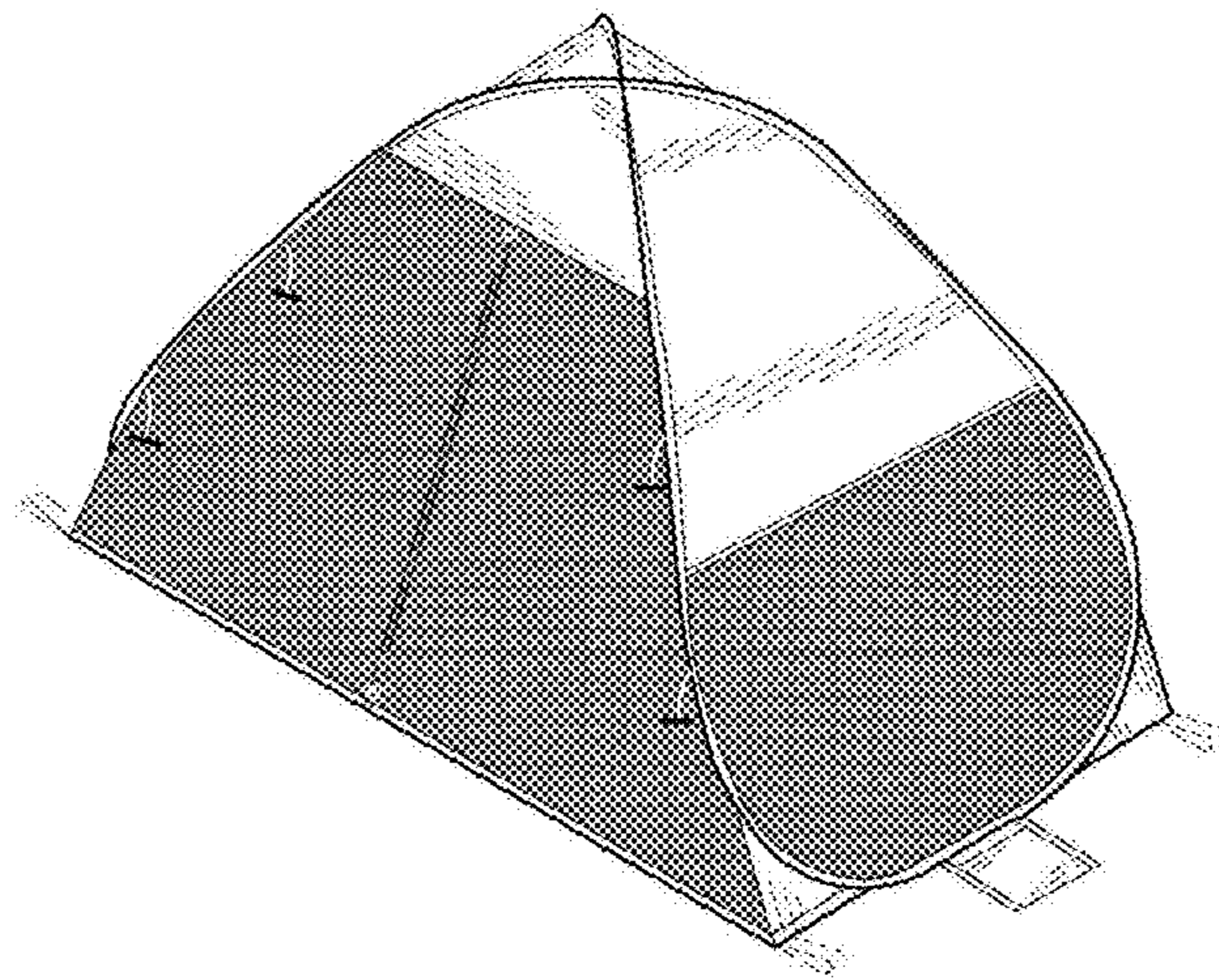


Fig. 6

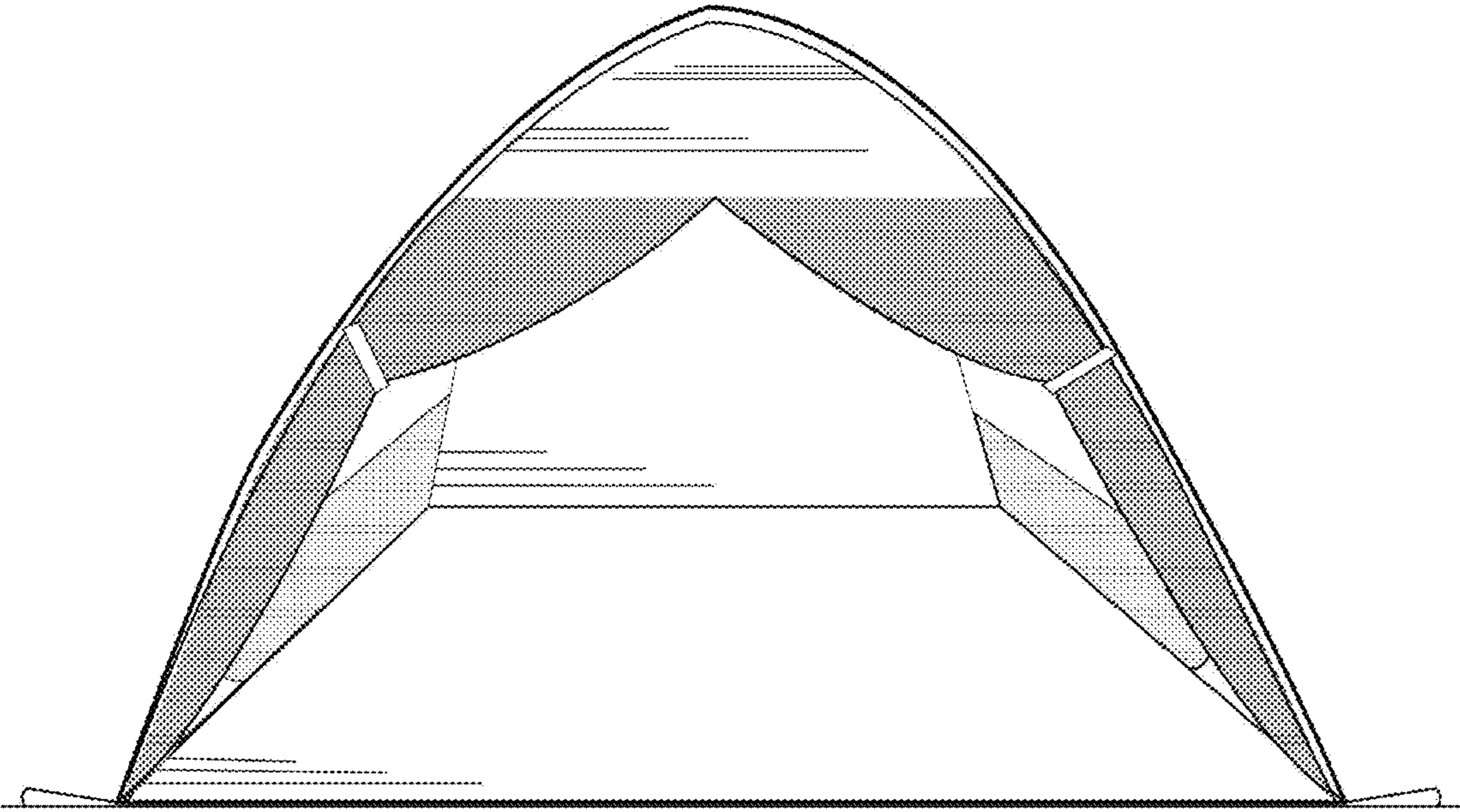


Fig. 7

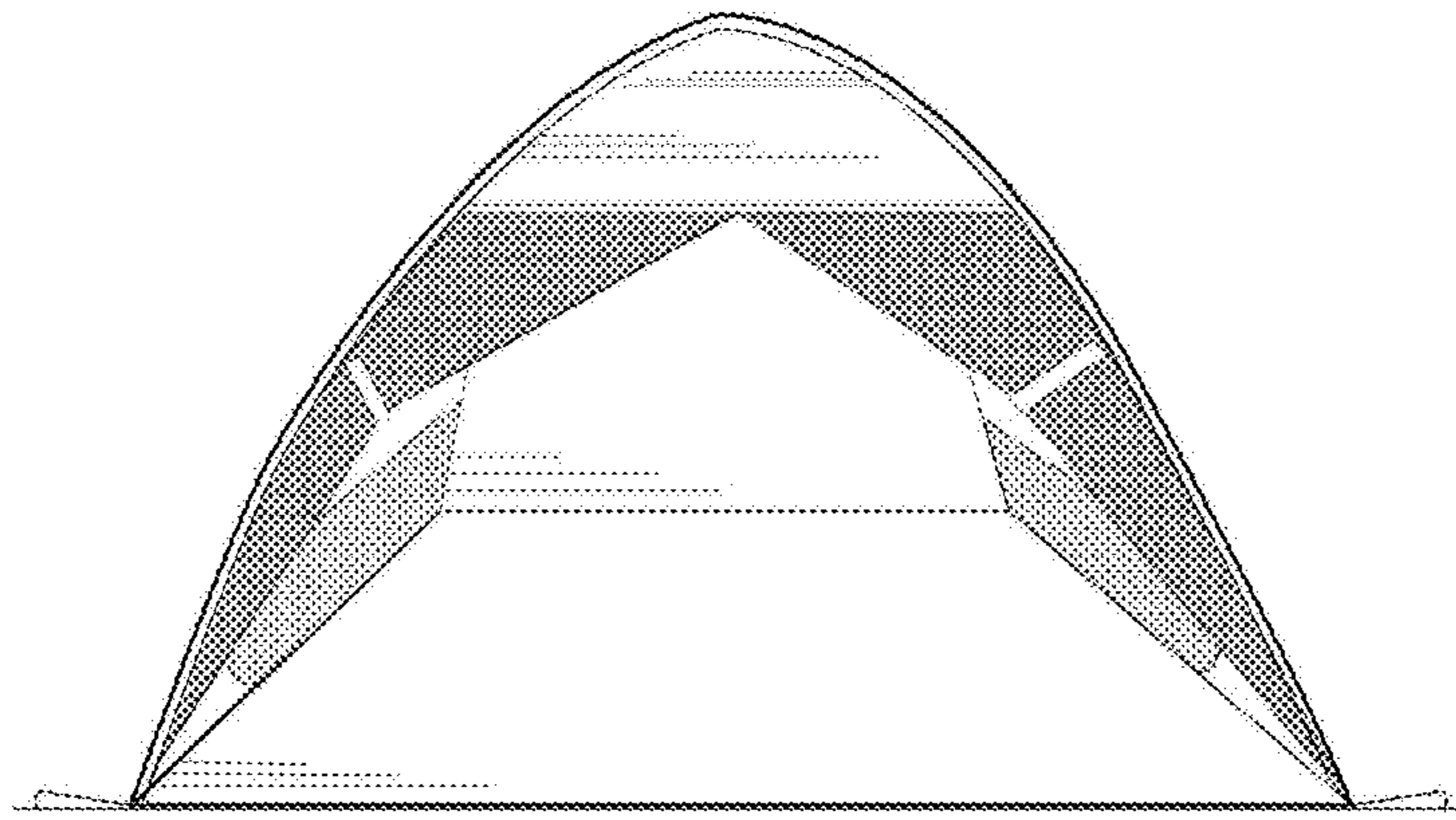


Fig. 8

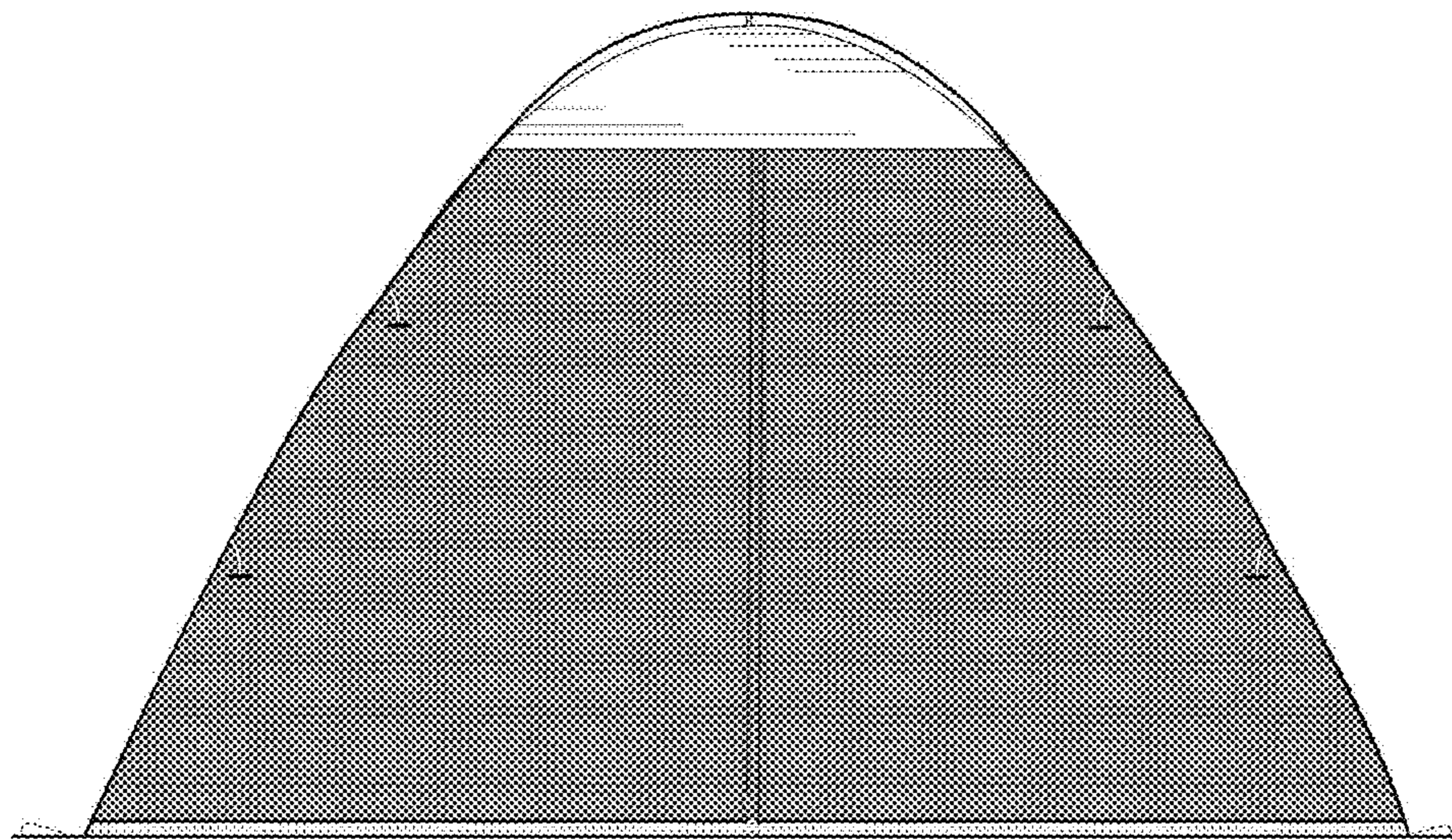


Fig. 9

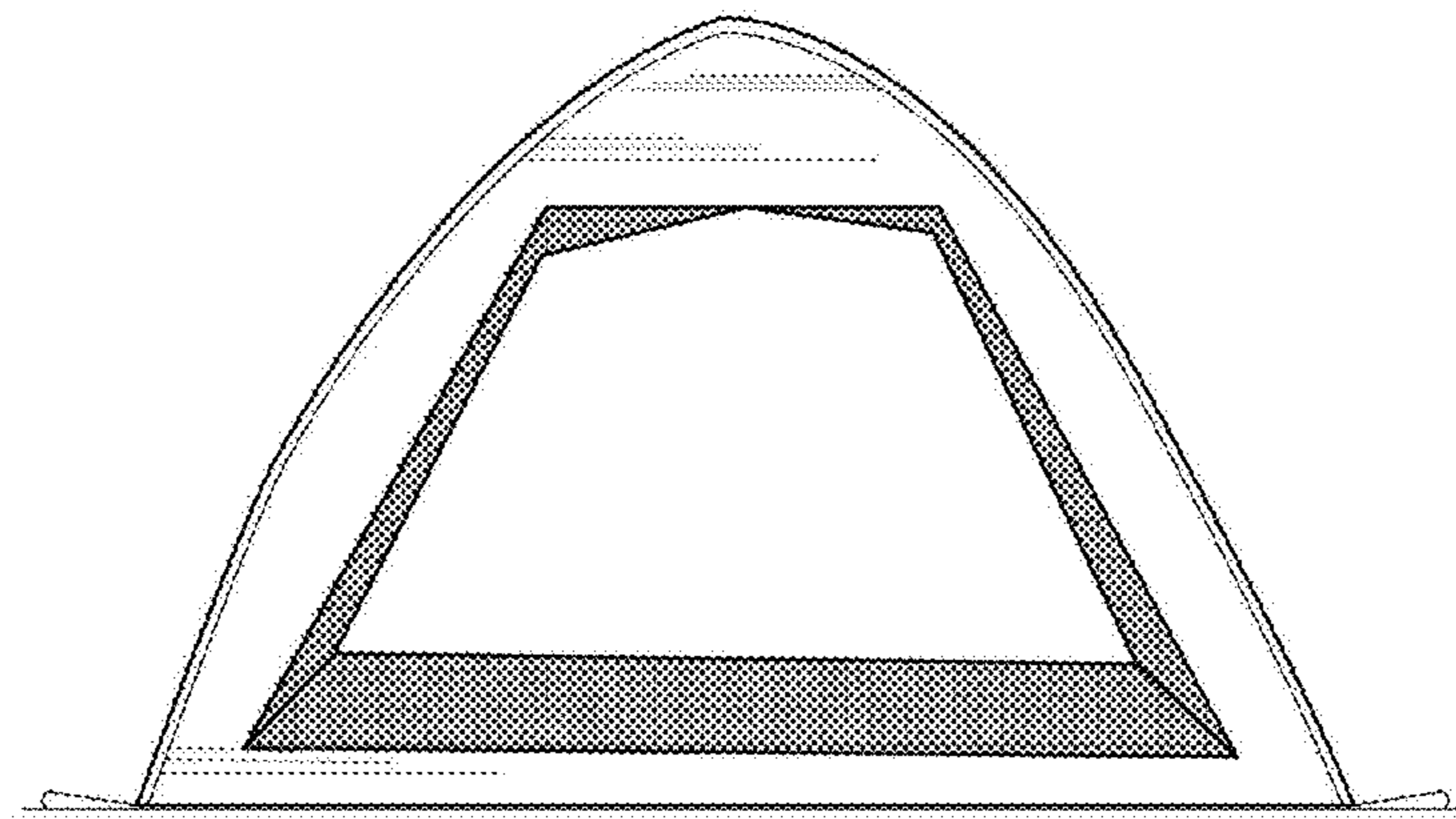


Fig. 10

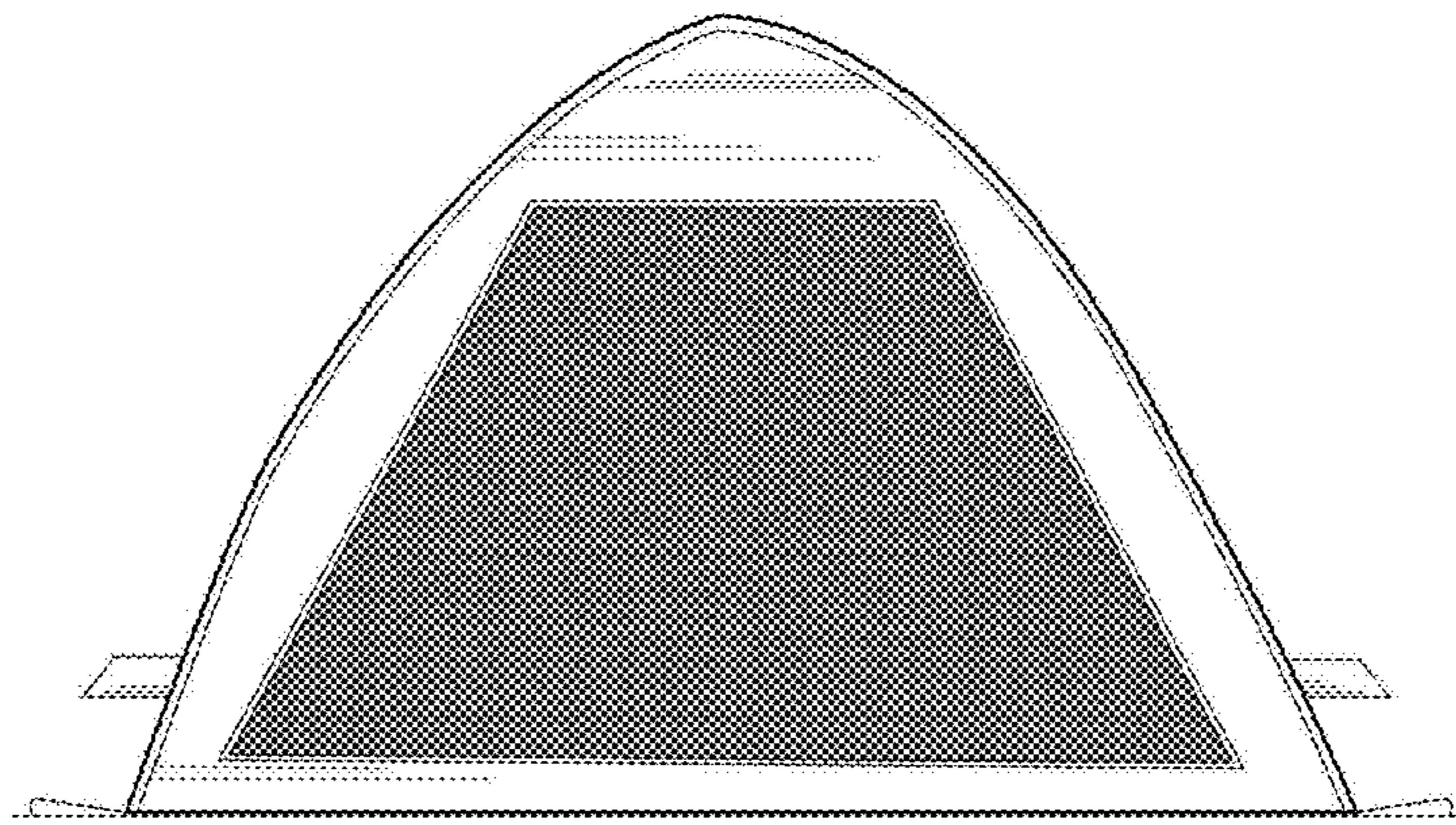


Fig. 11

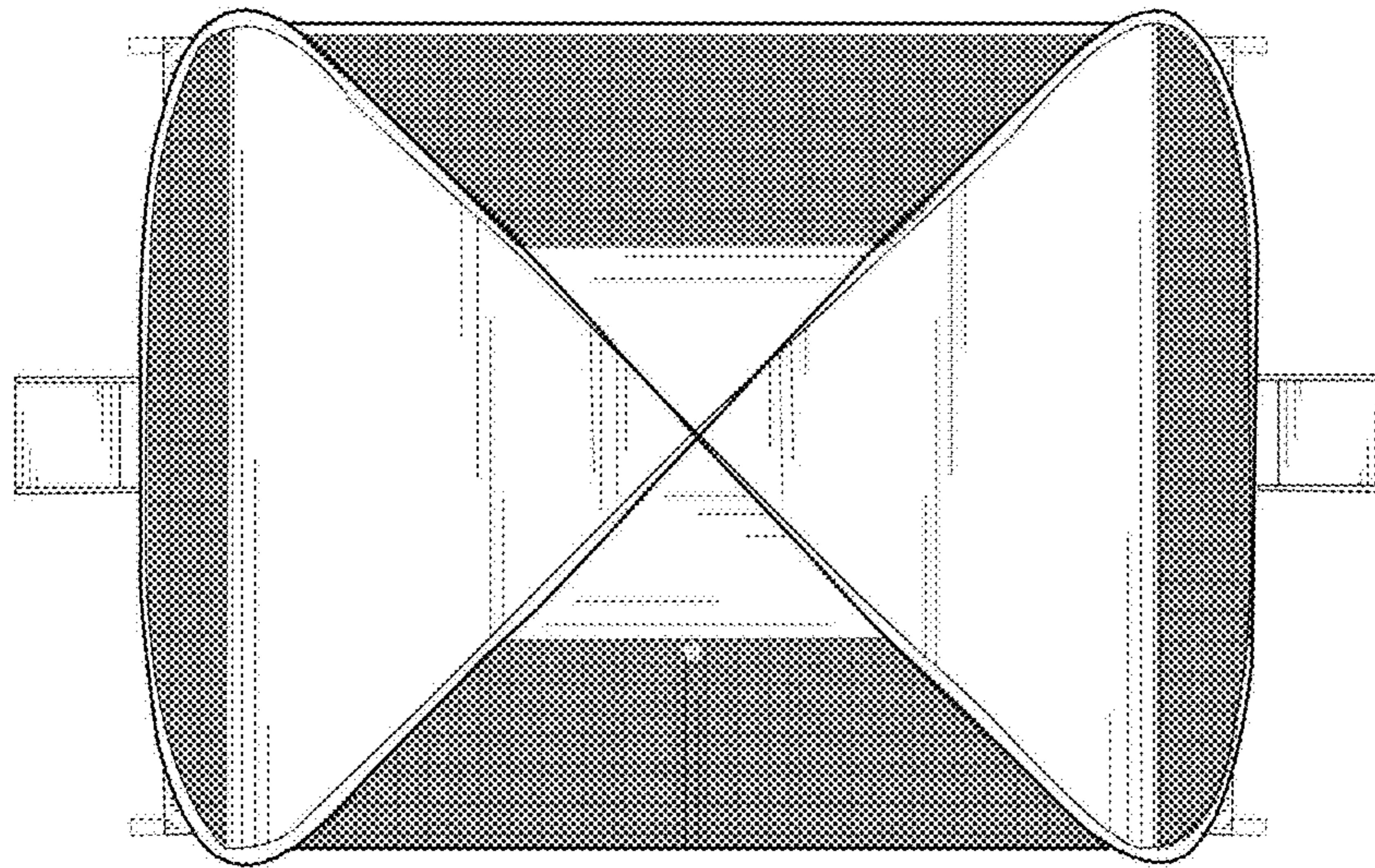


Fig. 12

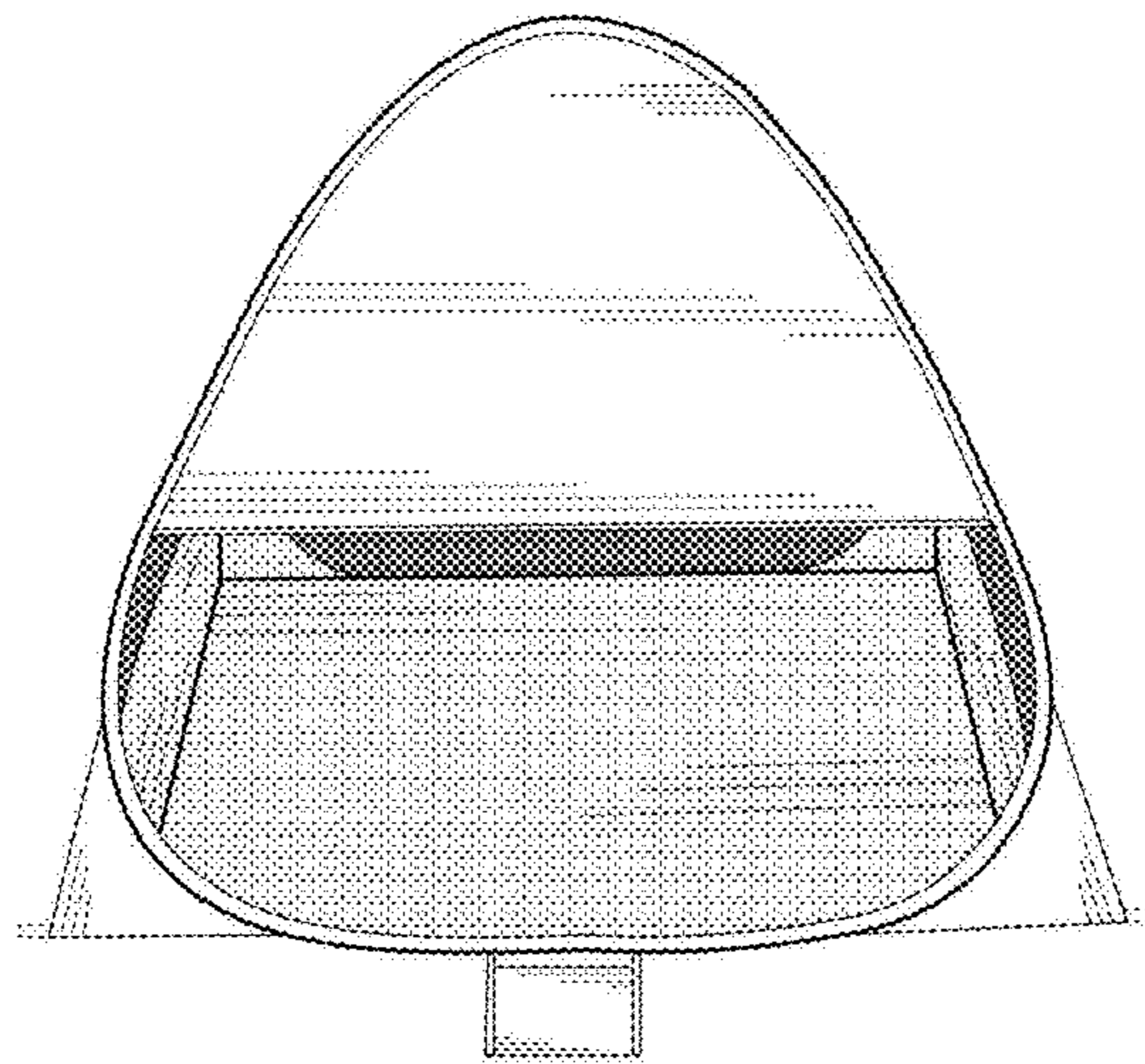


Fig. 13

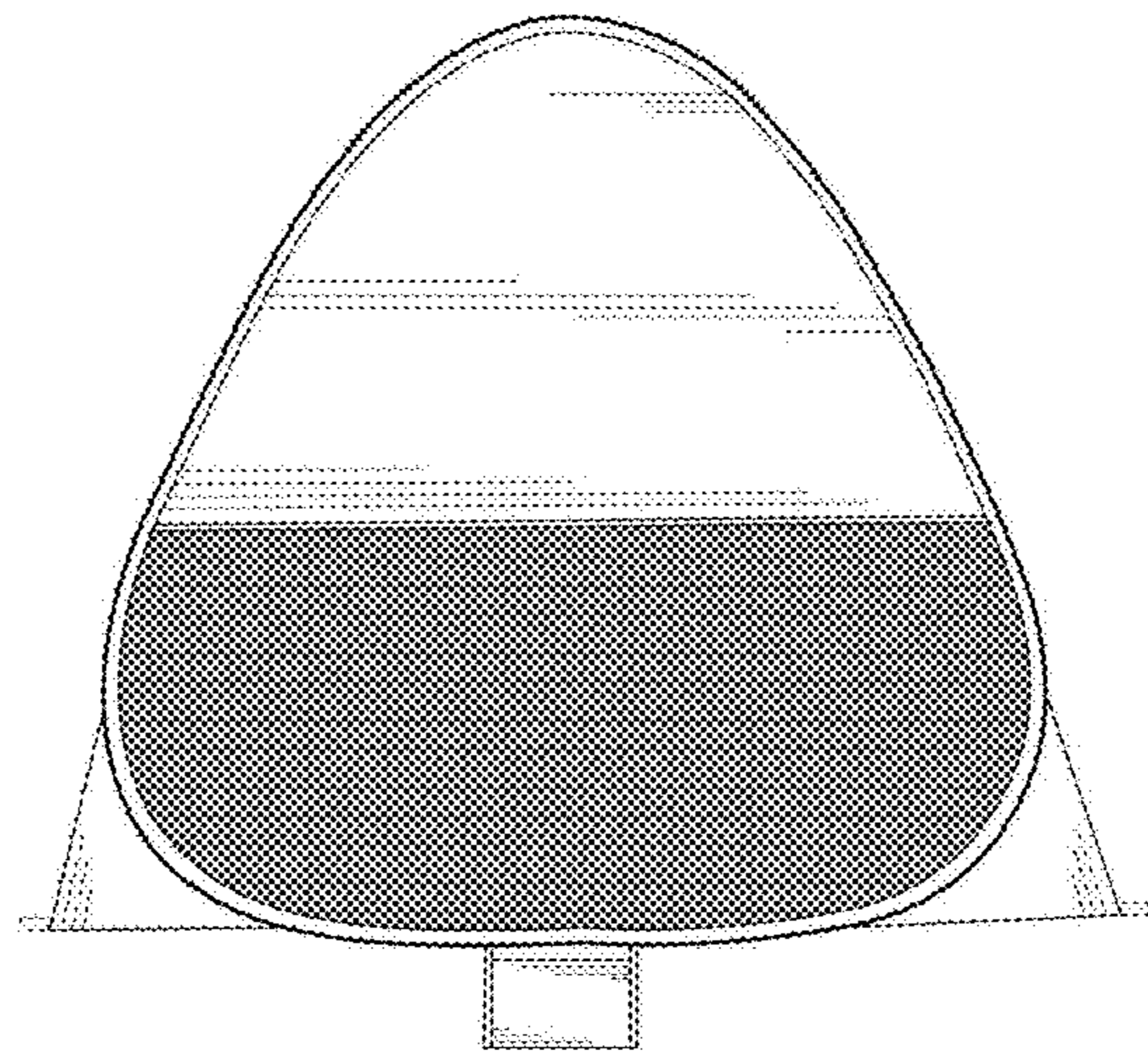


Fig. 14

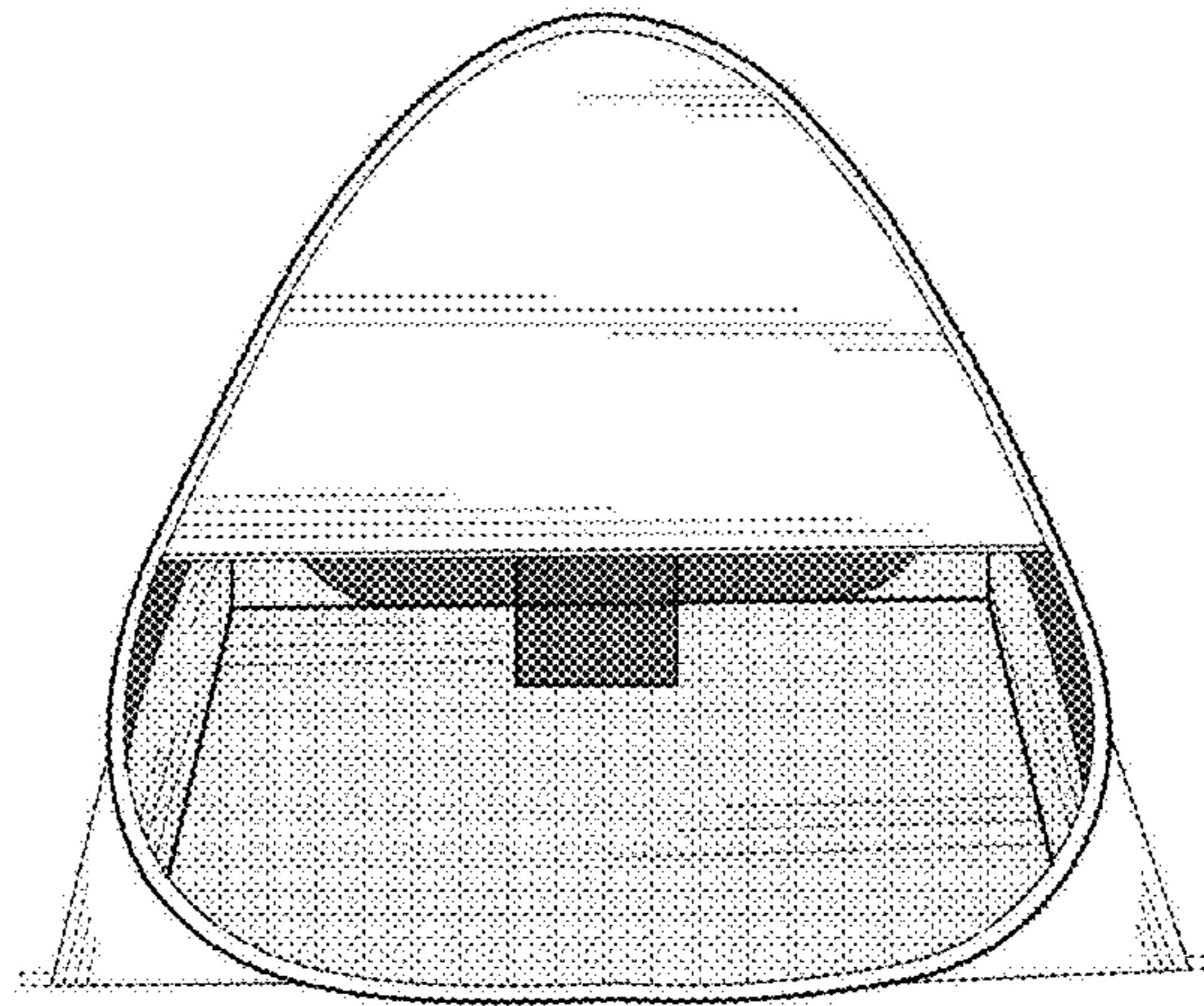


Fig. 15