

US00D841106S

(12) **United States Design Patent**
Lee

(10) **Patent No.:** **US D841,106 S**
(45) **Date of Patent:** **** Feb. 19, 2019**

(54) **SWING**
(71) Applicant: **WABADADA CO., LTD.**,
Gangwon-Do (KR)
(72) Inventor: **Kwang Pyo Lee**, Gangneung-si (KR)
(**) Term: **15 Years**
(21) Appl. No.: **35/504,105**
(22) Filed: **Nov. 17, 2017**
(80) **Hague Agreement Data**
Int. Filing Date: **Nov. 17, 2017**
Int. Reg. No.: **DM/098652**
Int. Reg. Date: **Nov. 17, 2017**
Int. Reg. Pub. Date: **Dec. 8, 2017**

D35,224 S * 10/1901 Ritter A63B 19/04
D21/823
2,024,855 A * 12/1935 Goetter A47D 13/105
472/119
2,123,233 A * 7/1938 Crawford A63G 9/00
482/24
4,036,489 A * 7/1977 Potyondy A63G 9/08
472/118
4,240,623 A * 12/1980 Edwards A63B 19/04
472/16
6,110,048 A * 8/2000 Murray A63B 19/04
472/118
7,097,590 B2 * 8/2006 Canali A63B 7/02
482/23

* cited by examiner

Primary Examiner — George D. Kirschbaum
Assistant Examiner — Joseph J Kukella
(74) *Attorney, Agent, or Firm* — Rabin & Berdo, P.C.

(30) **Foreign Application Priority Data**
Sep. 27, 2017 (KR) 30-2017-0045626
(51) **LOC (11) Cl.** **21-03**
(52) **U.S. Cl.**
USPC **D21/823**
(58) **Field of Classification Search**
USPC D21/465, 467, 686, 688, 695, 811, 814,
D21/823
CPC ... A63G 9/00; A63G 9/08; A63G 9/16; A63H
13/12
See application file for complete search history.

(56) **References Cited**
U.S. PATENT DOCUMENTS
67,571 A * 8/1867 Nott A63G 9/16
472/122
272,168 A * 2/1883 Smith A63H 13/12
446/322

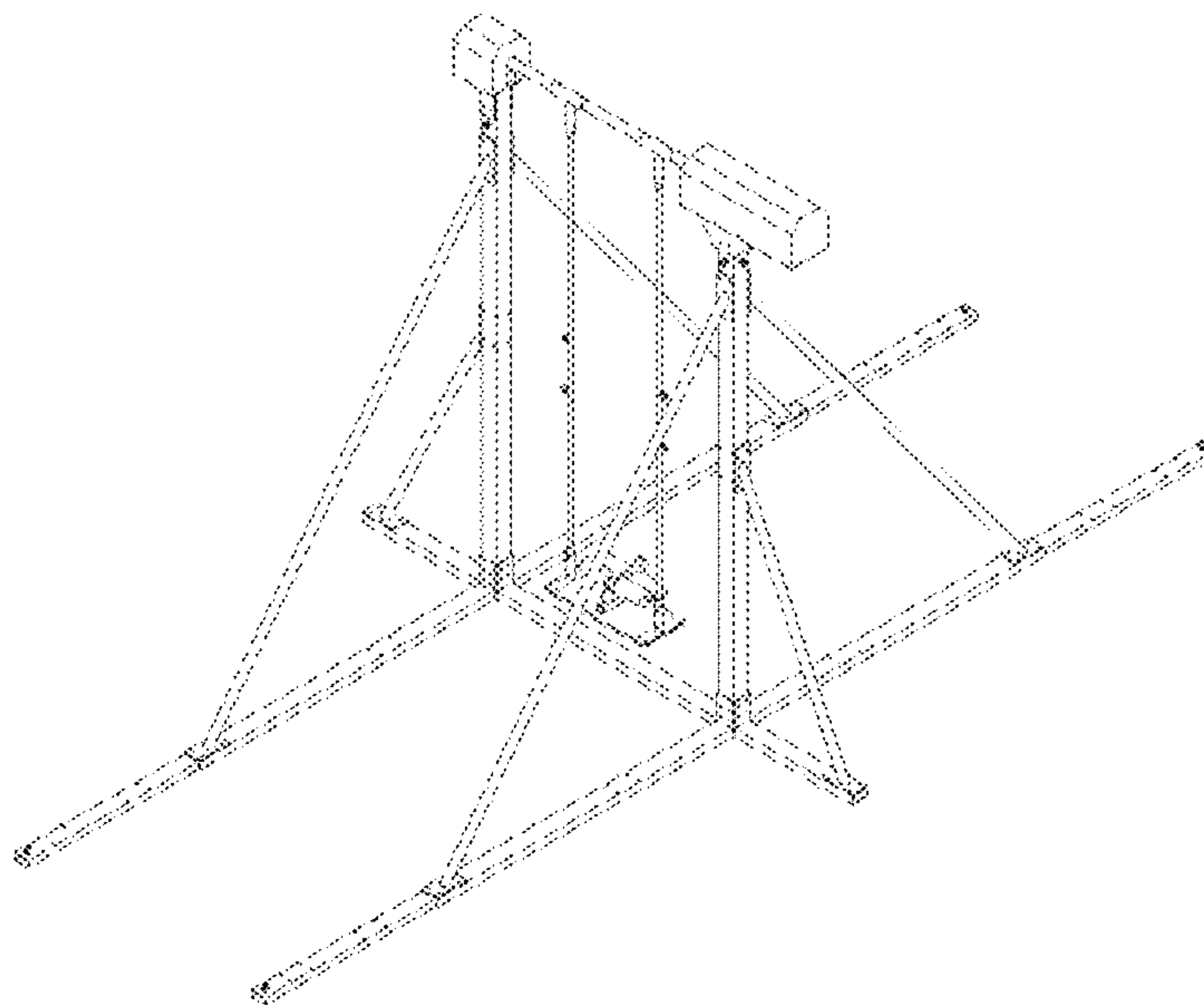
(57) **CLAIM**

The ornamental design for a swing, as shown and described.

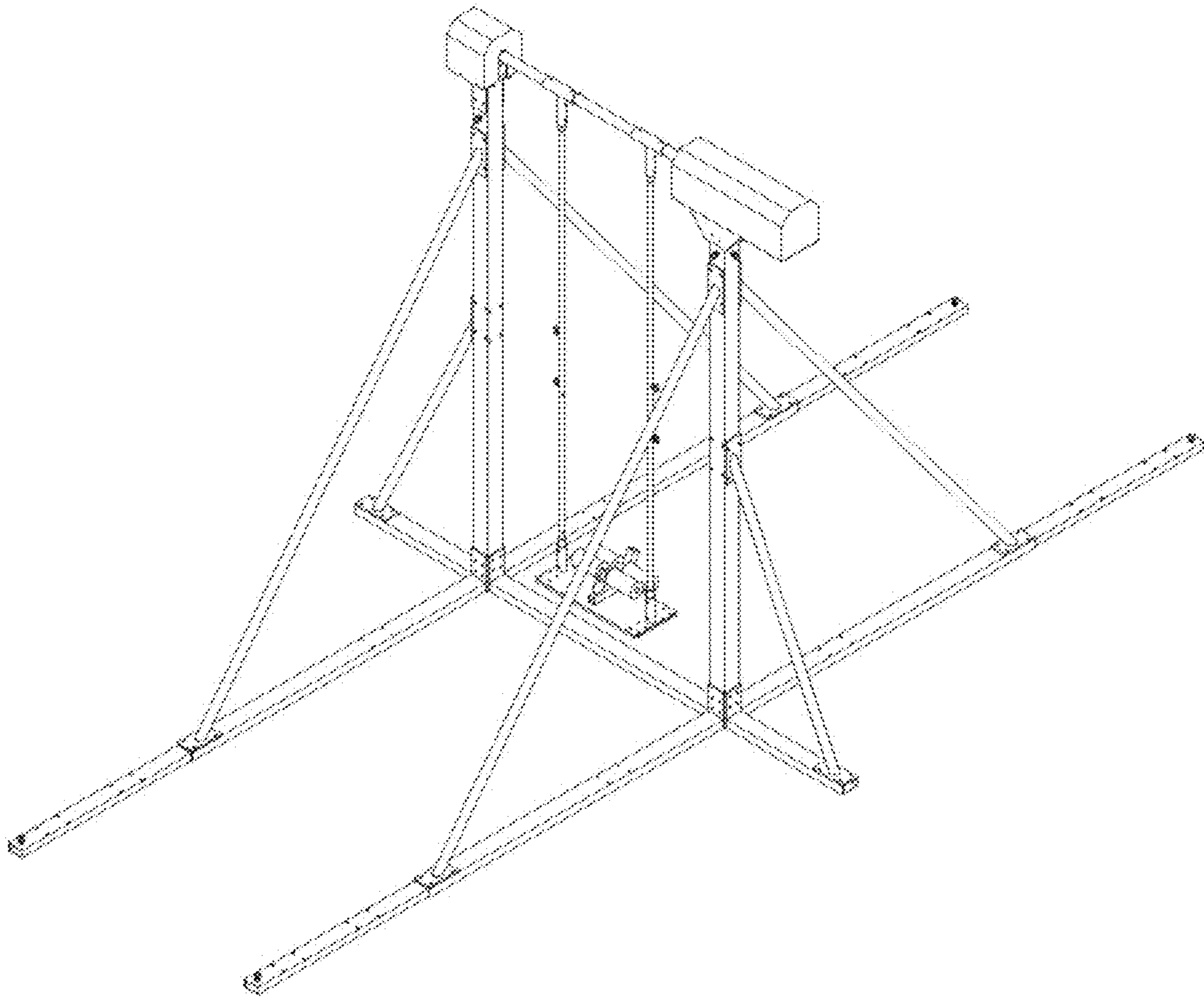
DESCRIPTION

- 1. Swing
- 1.1 : Perspective
- 1.2 : Front
- 1.3 : Back
- 1.4 : Top
- 1.5 : Bottom
- 1.6 : Left
- 1.7 : Right

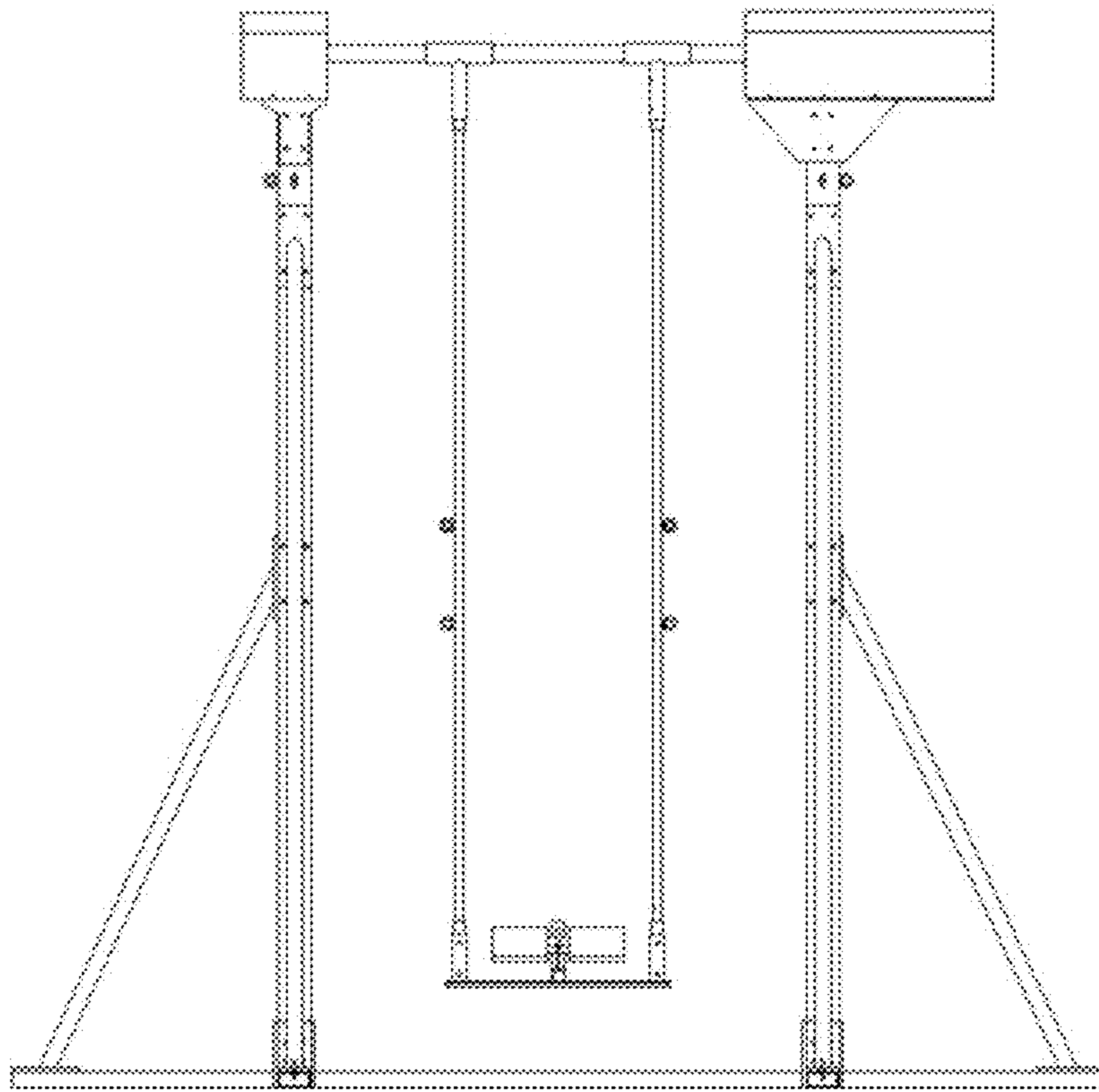
1 Claim, 7 Drawing Sheets



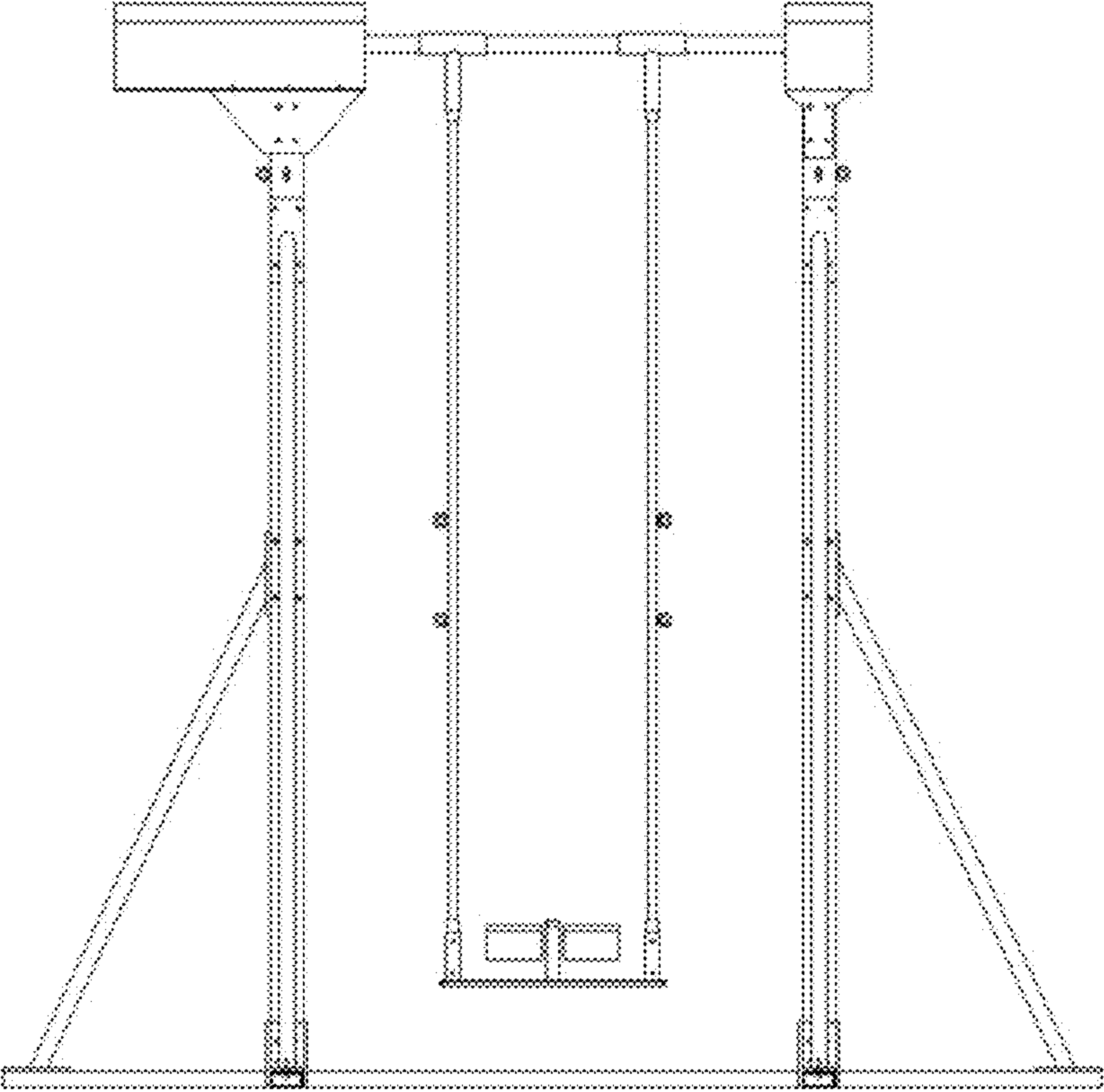
1.1



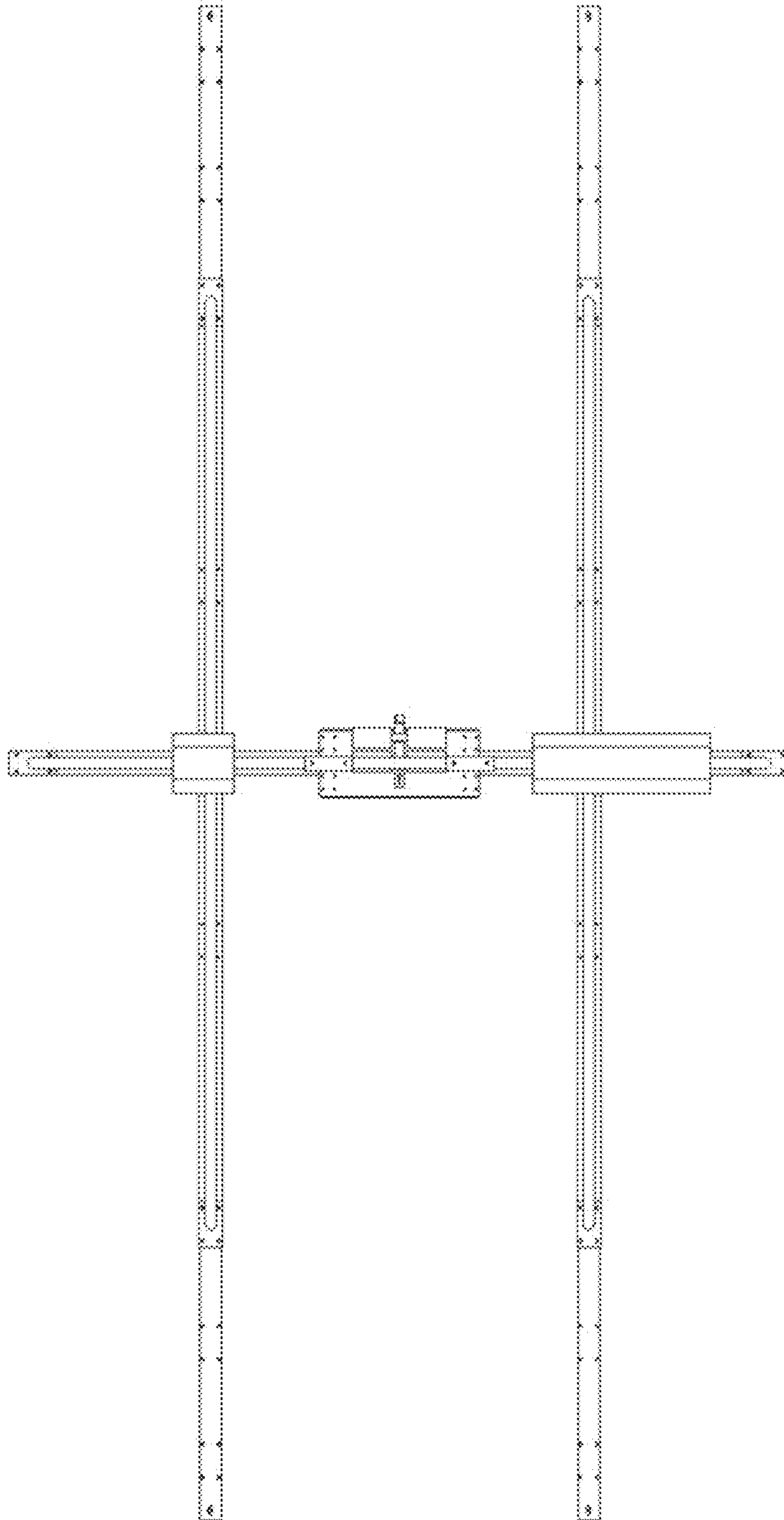
1.2



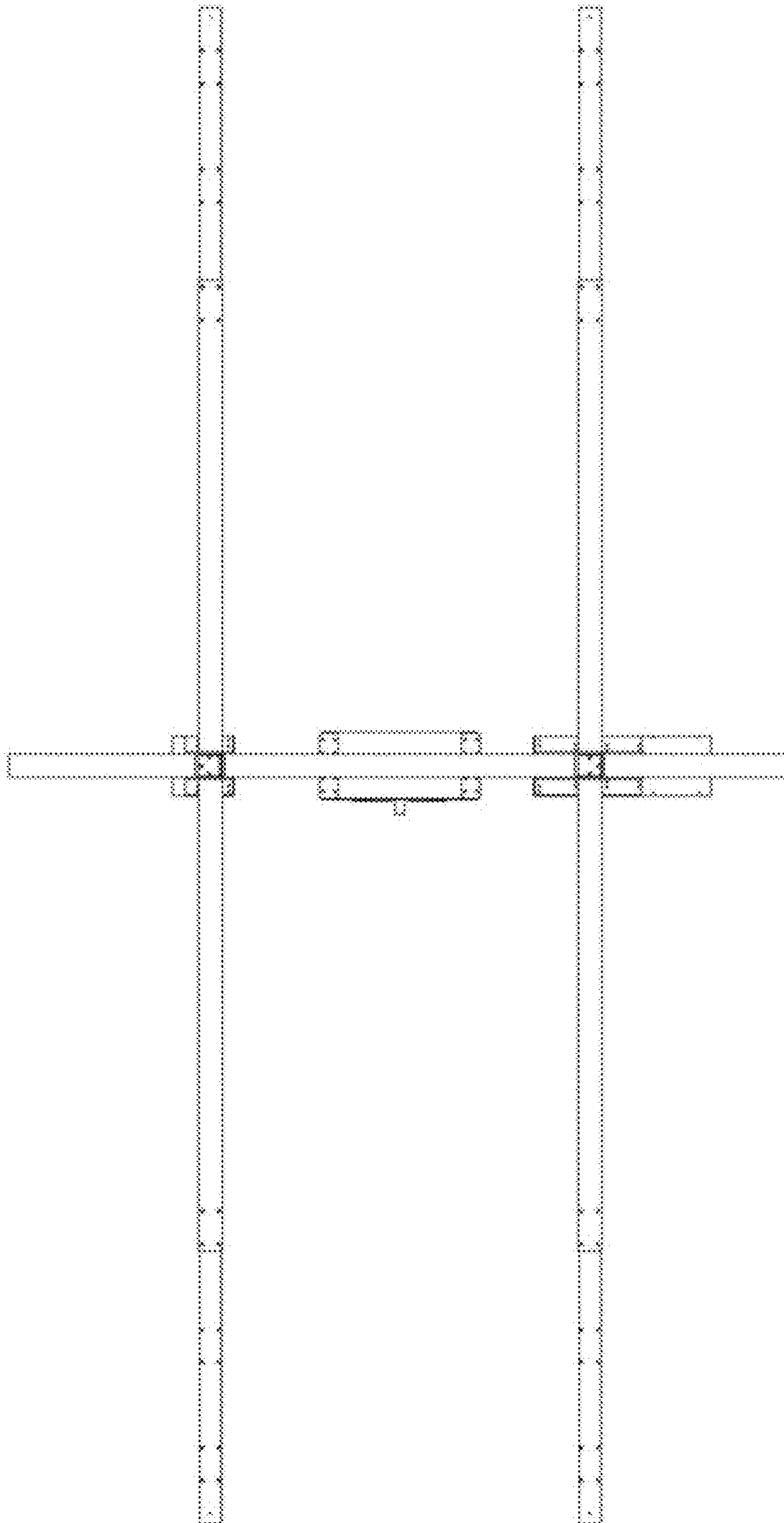
1.3



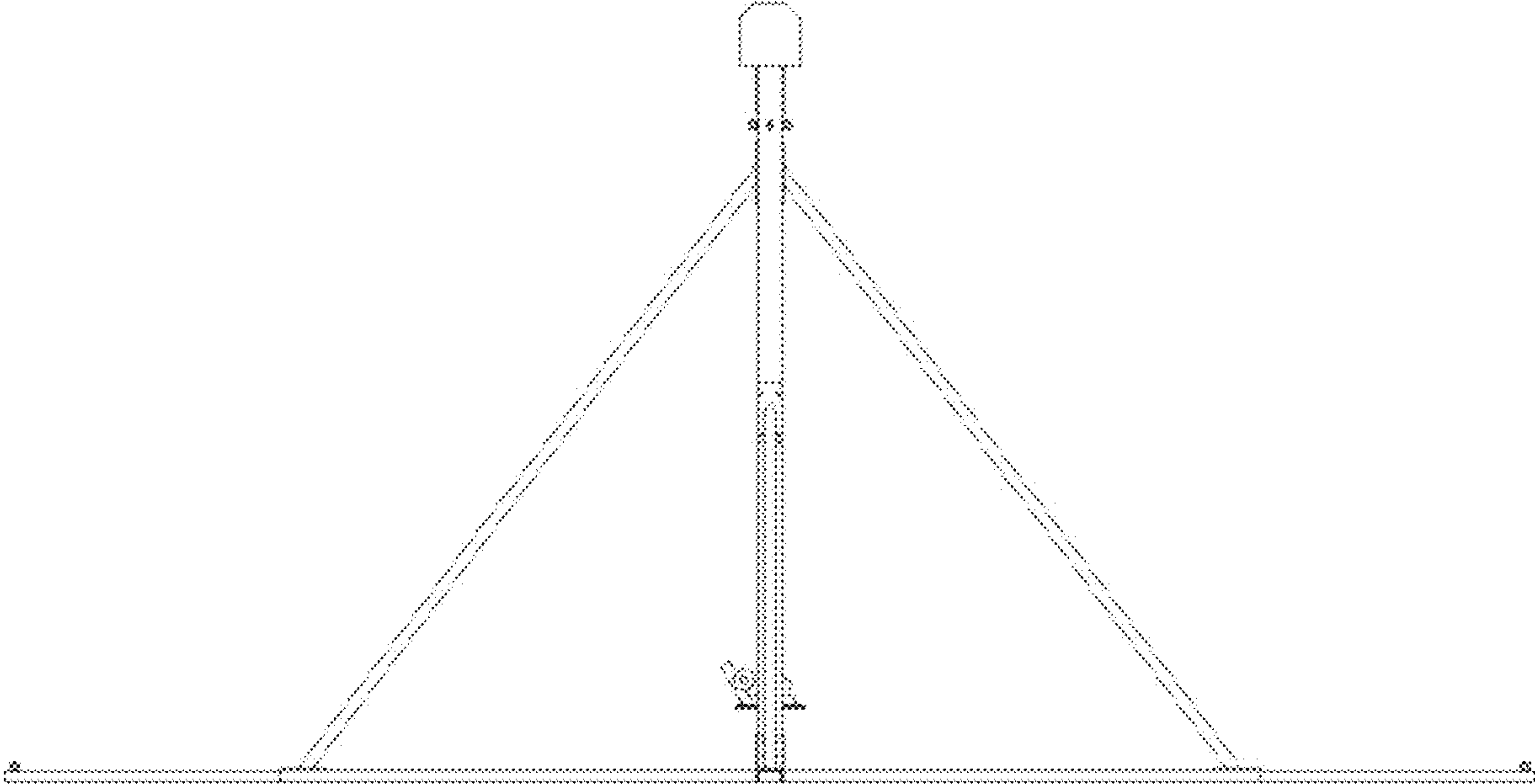
1.4



1.5



1.6



1.7

