



US00D841105S

(12) **United States Design Patent** (10) **Patent No.:** **US D841,105 S**
VanNatta (45) **Date of Patent:** **** Feb. 19, 2019**

(54) **BASEBALL SPORTS WAND**

FOREIGN PATENT DOCUMENTS

(71) Applicant: **Allan G. VanNatta**, Los Alamitos, CA
(US)

CN 302416032 S 4/2013
CN 302416034 S 4/2013
CN 302416038 S 4/2013

(72) Inventor: **Allan G. VanNatta**, Los Alamitos, CA
(US)

OTHER PUBLICATIONS

(**) Term: **15 Years**

Alibaba, "2018 World Cup promotional Gift Bubble Wand Stick Water . . .", May 1, 2018. https://www.alibaba.com/product-detail/2018-world-cup-promotional-gift-bubble_60682893370.html?spm=a2700.7724838.2017115.171.1a8611ebPS8YbR. Shown on p. 1. (Year: 2018).*

(21) Appl. No.: **29/598,059**

(22) Filed: **Mar. 22, 2017**

(Continued)

(51) **LOC (11) Cl.** **21-02**

(52) **U.S. Cl.**
USPC **D21/780**

Primary Examiner — Cynthia Ramirez
Assistant Examiner — Michael A Maharajh
(74) *Attorney, Agent, or Firm* — Sanford Astor

(58) **Field of Classification Search**
USPC D10/104.1, 122; D21/401, 402, 468,
D21/698, 701, 712, 713, 722, 725, 731,
D21/780, 781, 788; D11/184; 273/317.5,
273/317.6; D26/38; 482/109; 473/424;
D12/215; D20/10
CPC . A63B 31/10; A63B 69/0002; A63B 69/0075;
A63B 71/06
See application file for complete search history.

(57) **CLAIM**

The ornamental design for a baseball sports wand, as shown and described.

DESCRIPTION

FIG. 1 is a front perspective view of the baseball sports wand of the invention;
FIG. 2 is a front elevational view of the baseball sports wand of FIG. 1;
FIG. 3 is a rear elevational view of the baseball sports wand of FIG. 1;
FIG. 4 is a cross-sectional view of the baseball sports wand of FIG. 1;
FIG. 5 is a side elevational view of the baseball sports wand of FIG. 1;
FIG. 6 is a top elevational view of the baseball sports wand of FIG. 1; and,
FIG. 7 is a bottom elevational view of the of the baseball sports wand of FIG. 1.
The broken lines shown in the drawings are included for the purpose of illustrating environmental structure and form no part of the claimed design.

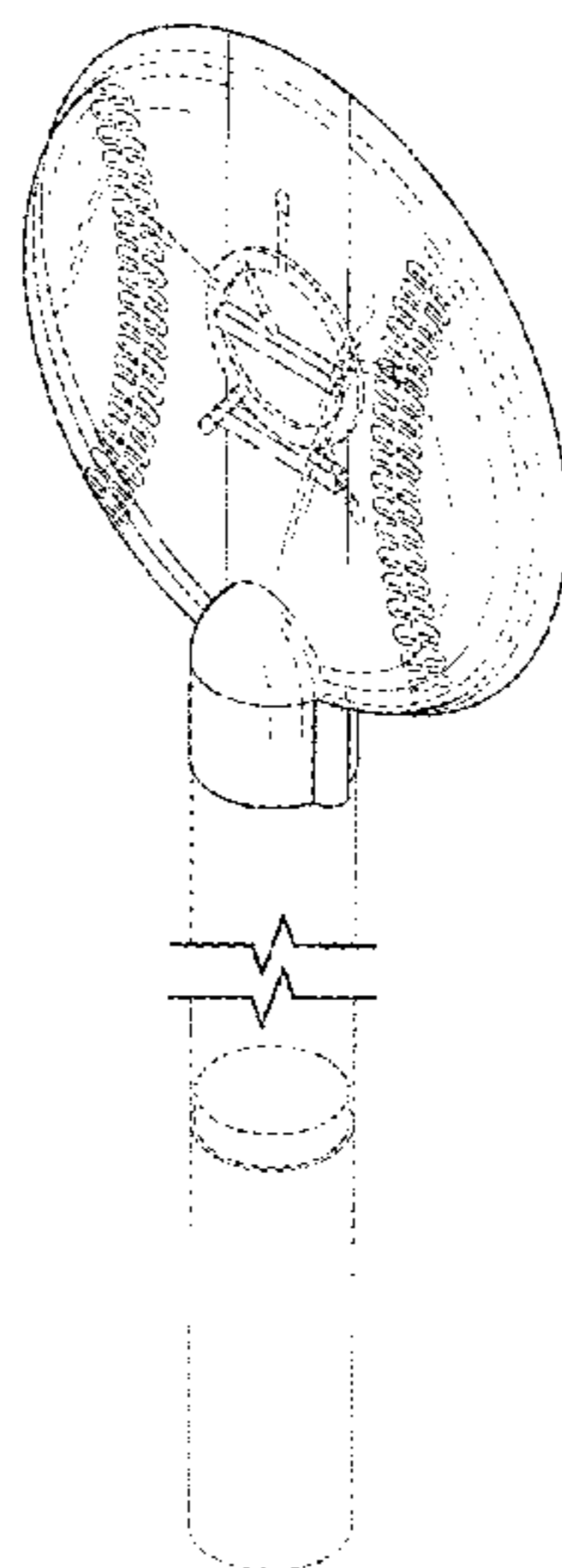
(56) **References Cited**

U.S. PATENT DOCUMENTS

D244,872 S * 6/1977 Staley D21/699
D294,843 S * 3/1988 Lund D21/594
D332,808 S * 1/1993 Neuroth D21/402
D333,165 S * 2/1993 Neuroth D21/402
D333,170 S * 2/1993 Patton D21/719
D347,033 S * 5/1994 Moretz D21/699
D399,776 S * 10/1998 Hernandez D10/111
D495,462 S * 9/2004 Haro D1/106
D515,273 S * 2/2006 Haro D1/106
D520,231 S 5/2006 Gotlieb
D572,771 S * 7/2008 Styles D21/402
D622,327 S 8/2010 Roos
D628,757 S * 12/2010 Francis D32/40

(Continued)

1 Claim, 5 Drawing Sheets



(56)

References Cited

U.S. PATENT DOCUMENTS

D649,207 S * 11/2011 Hoffman D21/699
D721,676 S * 1/2015 Hammond D14/218
D753,953 S * 4/2016 Meadows D20/22
2008/0102992 A1* 5/2008 Novosel A63B 43/007
473/425
2010/0048331 A1* 2/2010 Guilfoyle A63B 43/002
473/451
2012/0220395 A1* 8/2012 Lay A63B 69/0075
473/451
2016/0096057 A1* 4/2016 Gavigan A63B 65/04
482/109

OTHER PUBLICATIONS

Promotional Concert Cheering Custom Glow LED Lighting Stick.

* cited by examiner

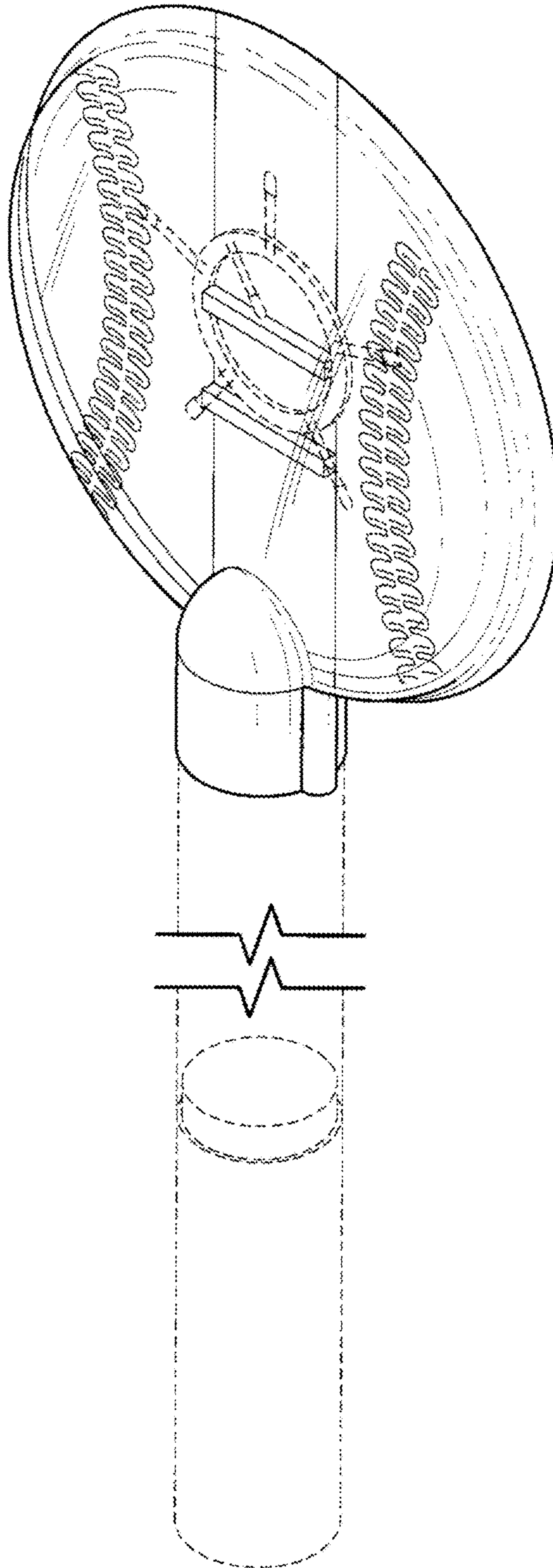


FIG. 1

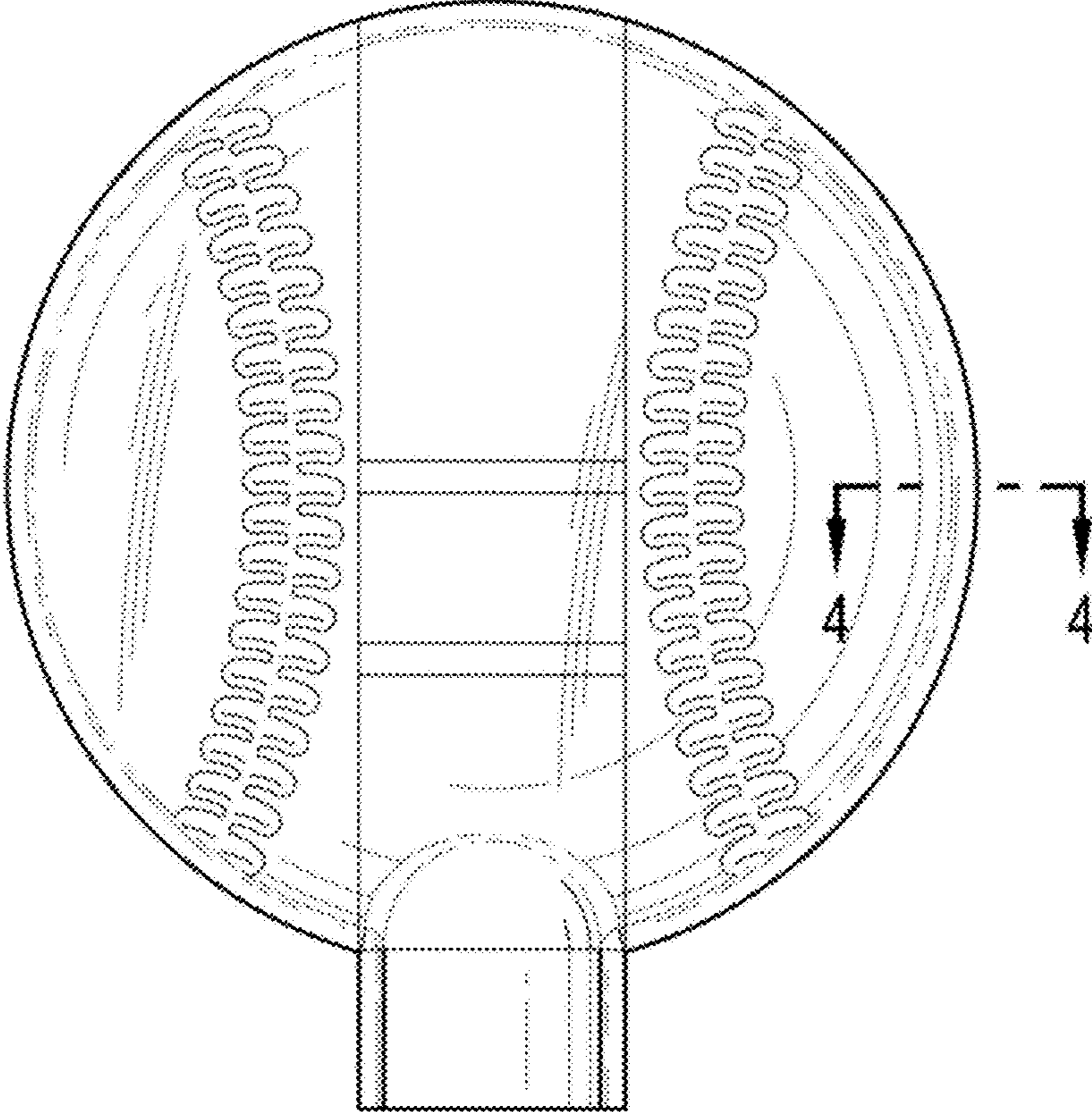


FIG. 2

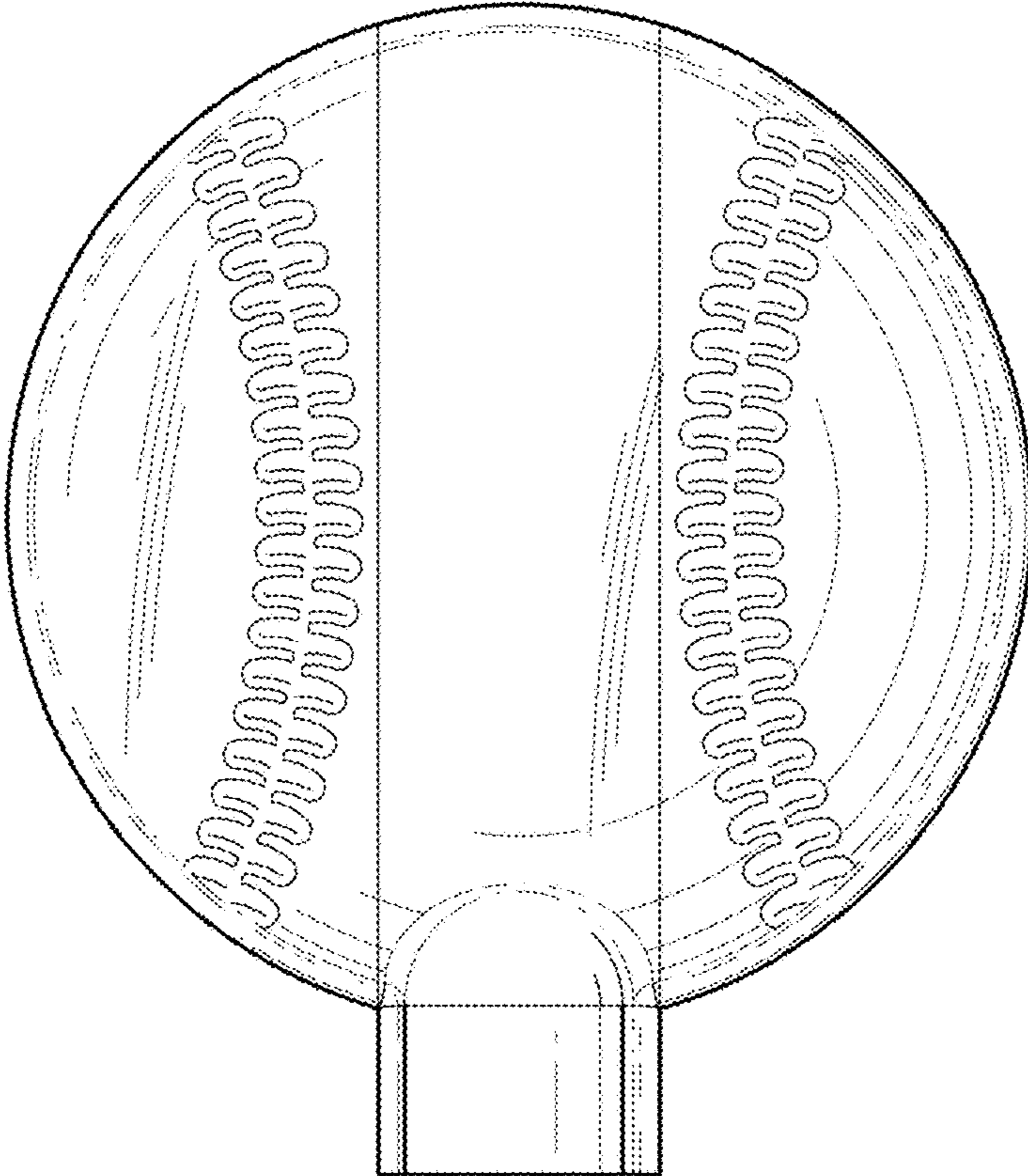


FIG. 3

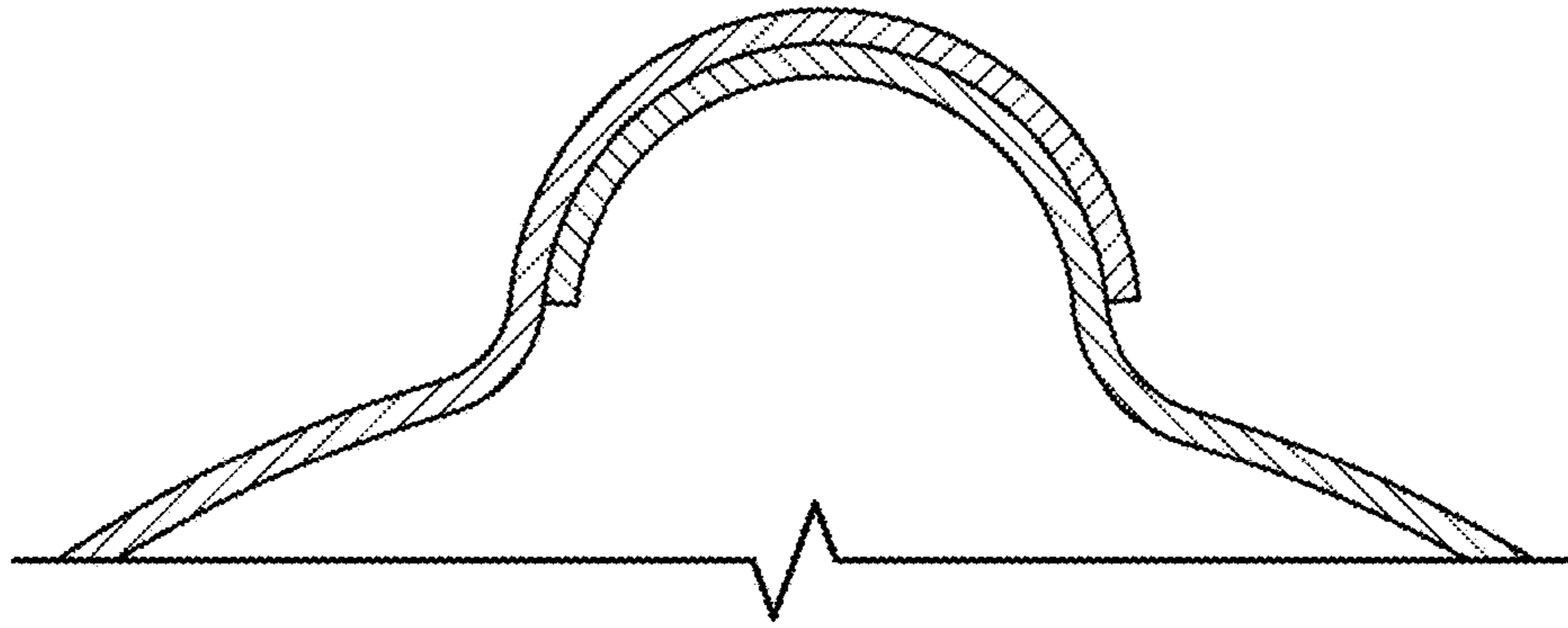


FIG. 4

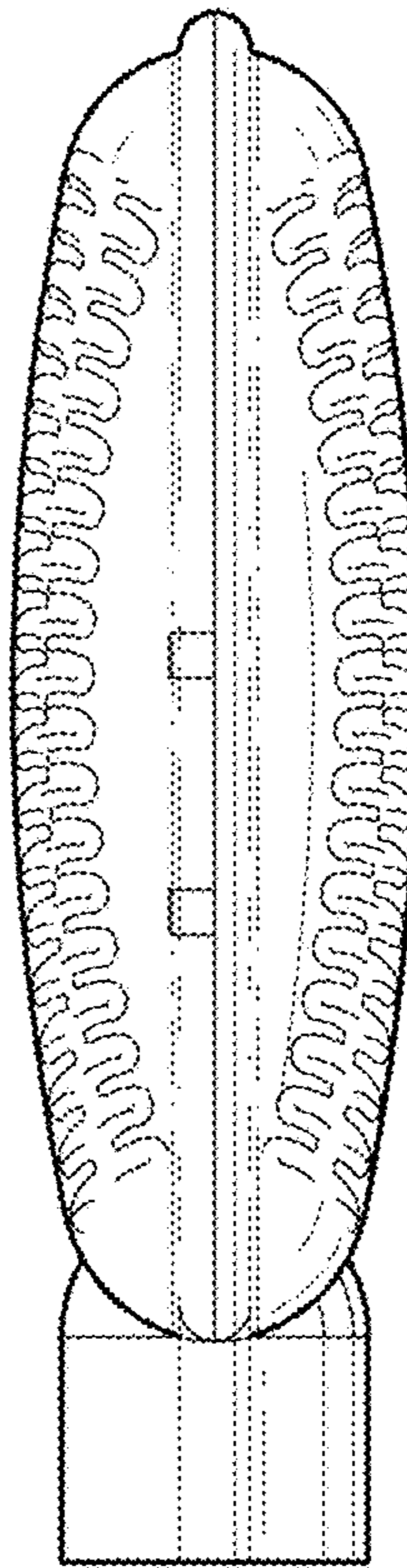


FIG. 5

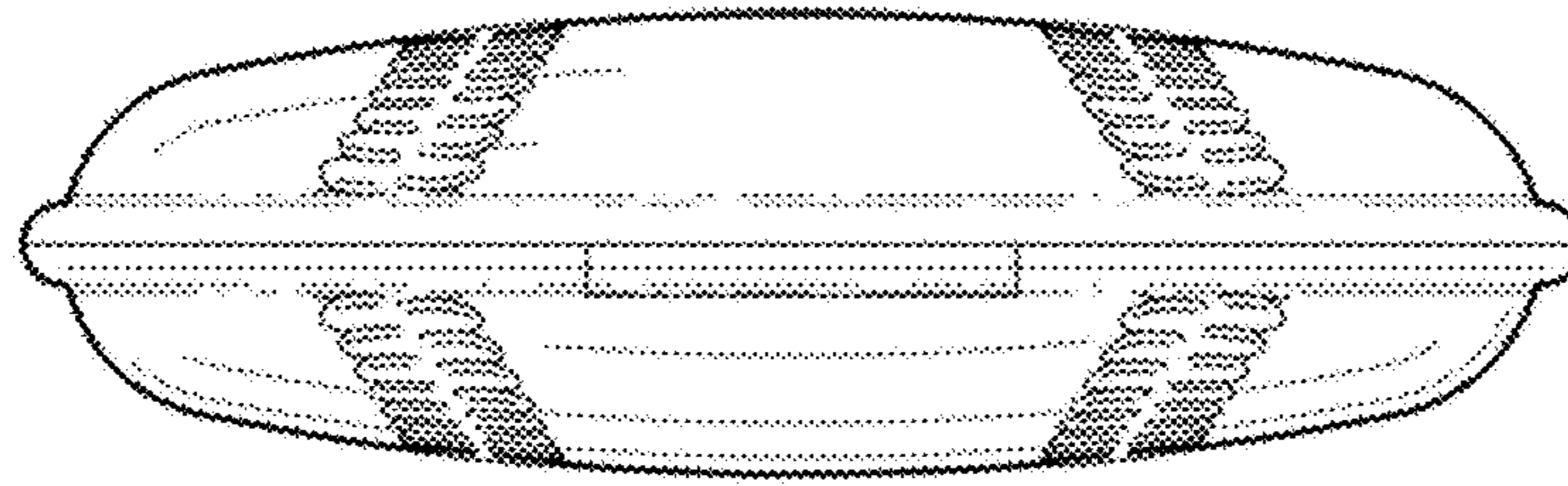


FIG. 6

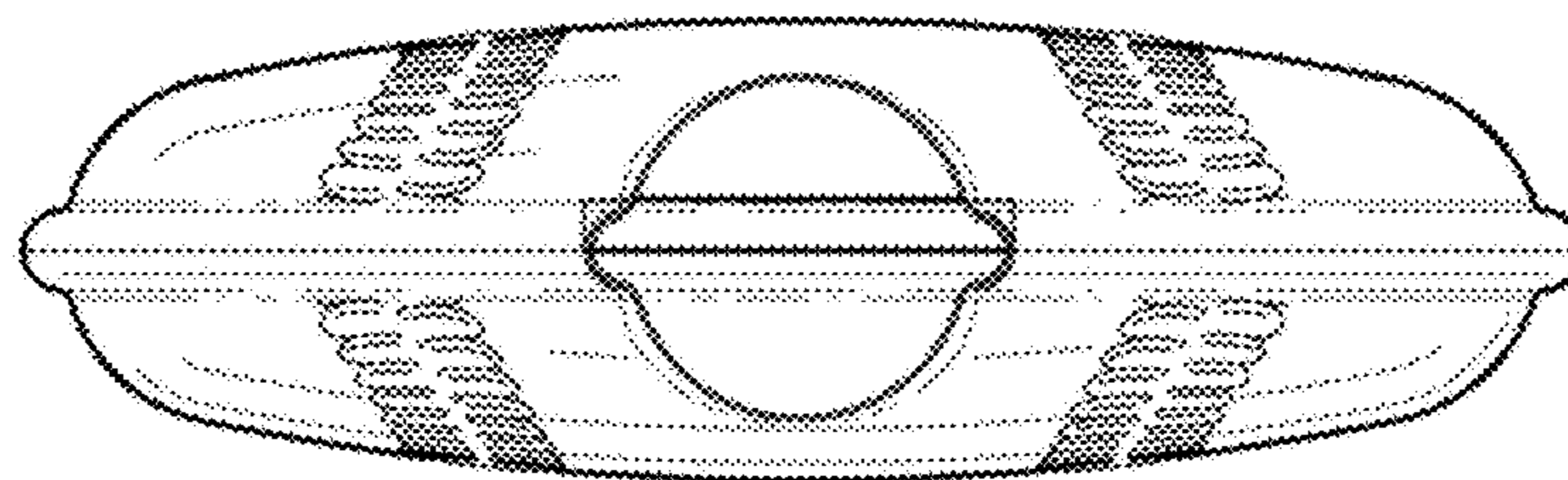


FIG. 7