



US00D841103S

(12) **United States Design Patent**
Lee

(10) **Patent No.:** **US D841,103 S**

(45) **Date of Patent:** **** Feb. 19, 2019**

(54) **SOLAR-POWERED TOY DINOSAUR**

(71) Applicant: **Wen-Hsien Lee**, New Taipei (TW)

(72) Inventor: **Wen-Hsien Lee**, New Taipei (TW)

(**) Term: **15 Years**

(21) Appl. No.: **29/625,742**

(22) Filed: **Nov. 13, 2017**

(51) **LOC (11) Cl.** **21-01**

(52) **U.S. Cl.**
USPC **D21/578**; D21/615

(58) **Field of Classification Search**
USPC D6/598; D11/158, 162; D21/576-595,
D21/615; 446/368-369, 376, 428, 487;
180/8.6; D30/160; D15/199
CPC ... A63H 3/00; A63H 3/02; A63H 3/04; A63H
3/16; A63H 3/28; A63H 33/00; A63H
7/06; A63H 11/00; A63H 11/10; A63H
11/20; A63H 13/00

See application file for complete search history.

(56) **References Cited**

U.S. PATENT DOCUMENTS

D318,500 S * 7/1991 Malewicki D21/578
D478,362 S * 8/2003 Nakase D21/578
D479,862 S * 9/2003 Takahashi D21/578

D484,196 S * 12/2003 Nakase D21/578
D510,962 S * 10/2005 Nakase D21/578
D554,713 S * 11/2007 Wong D21/578
D555,214 S * 11/2007 Wong D21/578
D622,786 S * 8/2010 Lee D21/578
D643,439 S * 8/2011 Bidaud D14/496
D681,134 S * 4/2013 Lee D21/578
D713,477 S * 9/2014 Lee D21/578
D726,836 S * 4/2015 Song D21/578

* cited by examiner

Primary Examiner — Sandra L Morris

(74) *Attorney, Agent, or Firm* — C. G. Mersereau;
DeWitt, Mackall, Crouse & Moore, S.C.

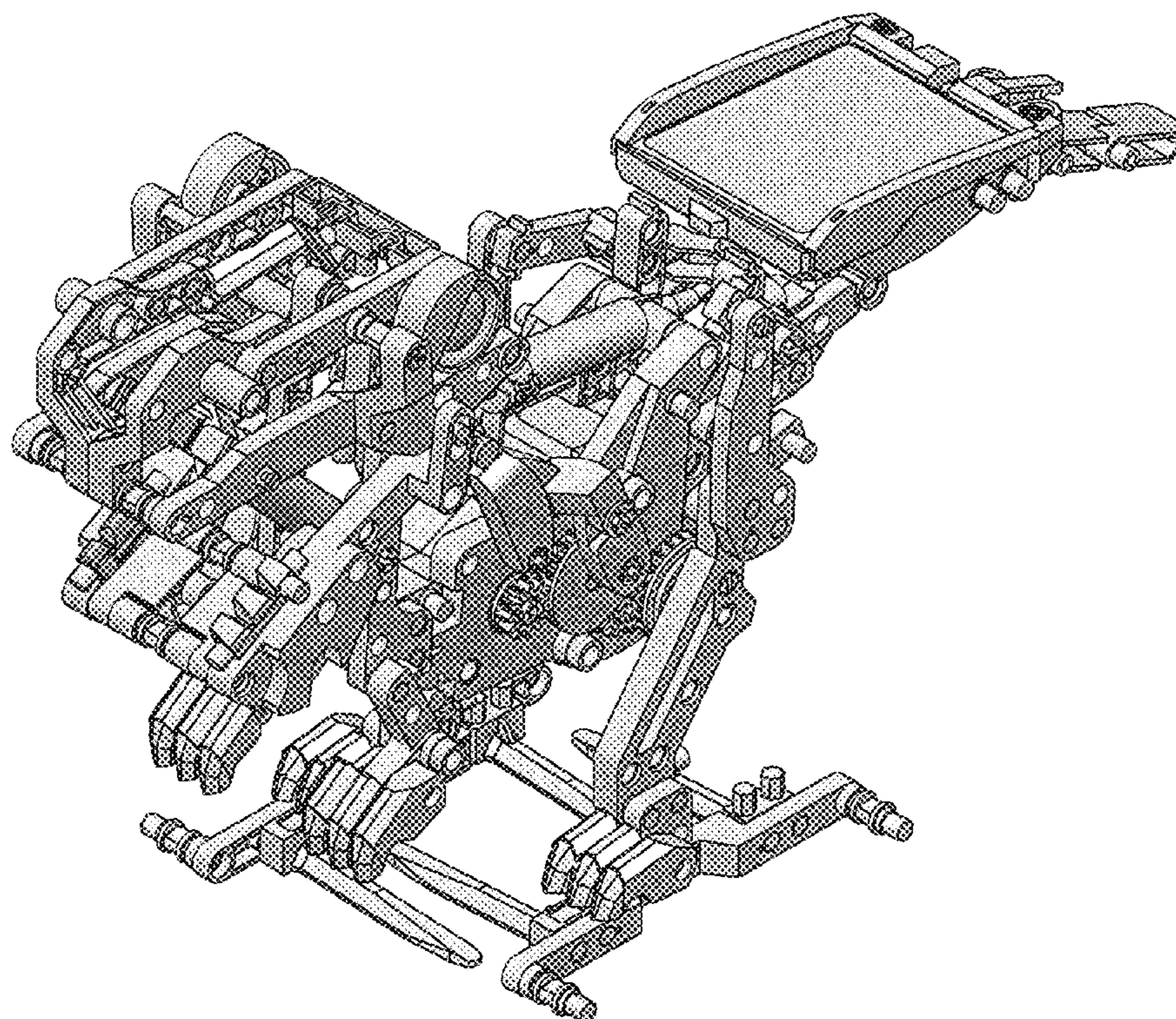
(57) **CLAIM**

The ornamental design for a solar-powered toy dinosaur, as shown.

DESCRIPTION

FIG. 1 is a perspective view of a solar-powered toy dinosaur showing my new design;
FIG. 2 is a front view thereof;
FIG. 3 is a rear view thereof;
FIG. 4 is a left side view thereof;
FIG. 5 is a right side view thereof;
FIG. 6 is a top view thereof;
FIG. 7 is a bottom view thereof; and,
FIG. 8 is another perspective view thereof.

1 Claim, 8 Drawing Sheets



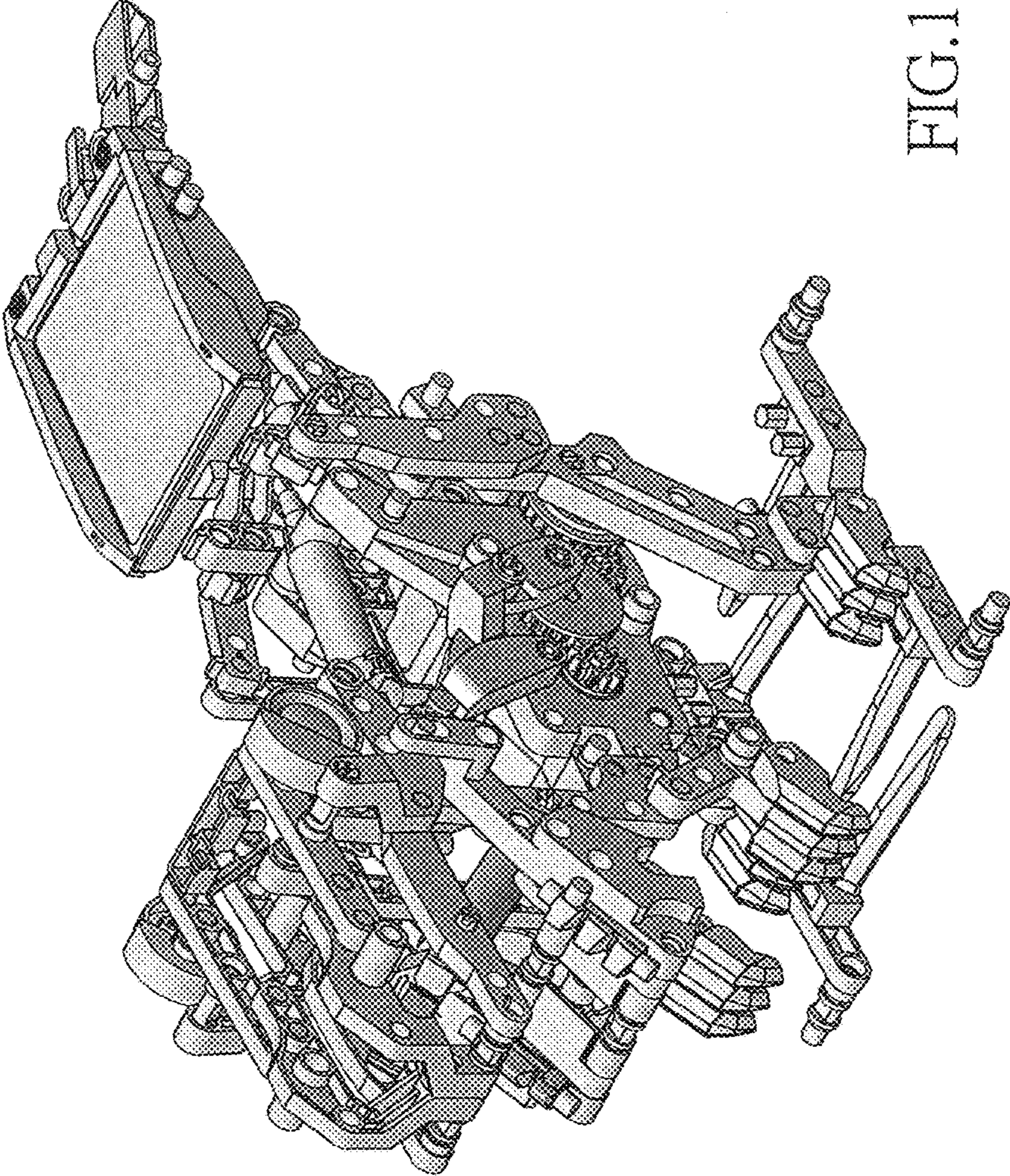


FIG.1

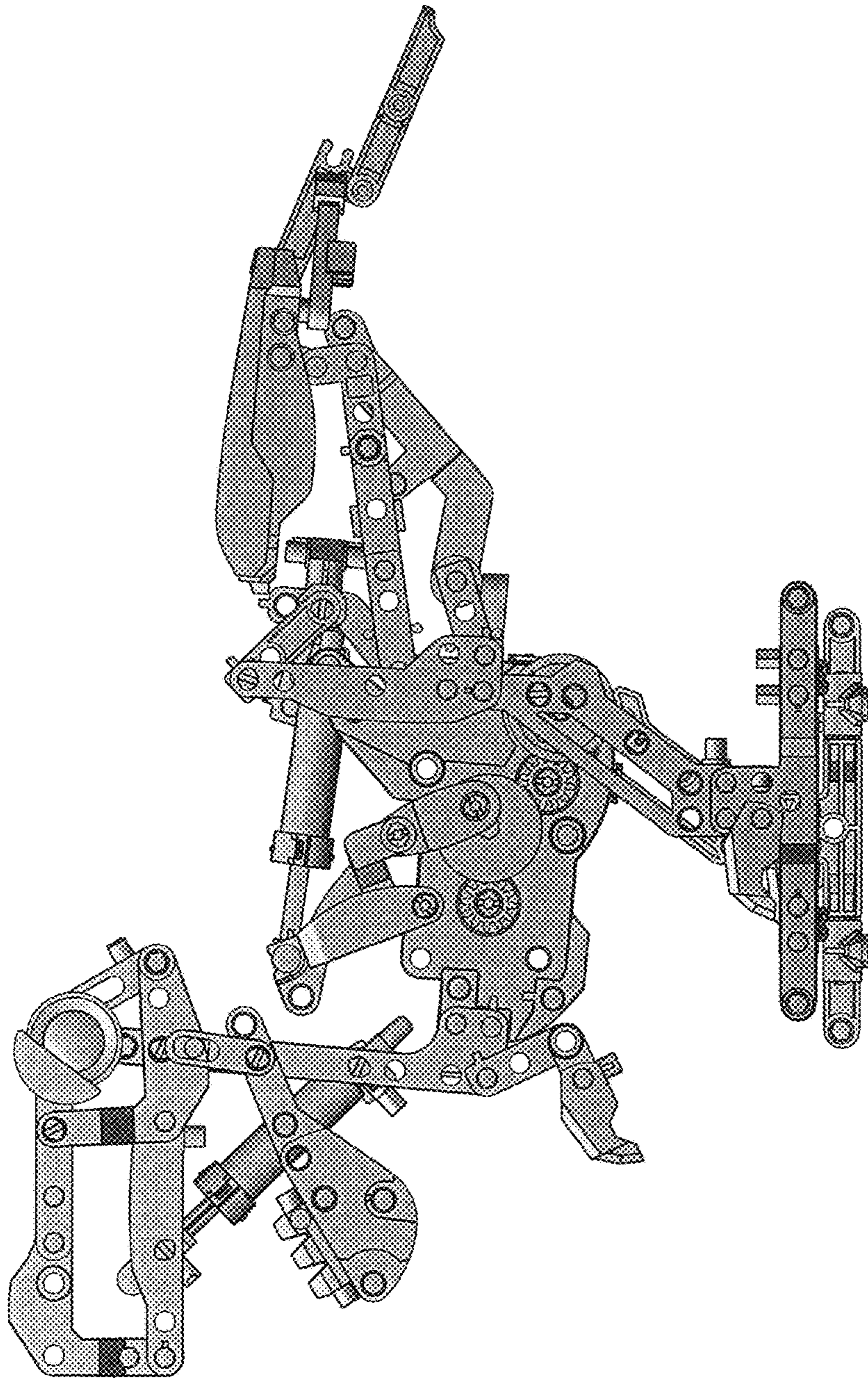


FIG.2

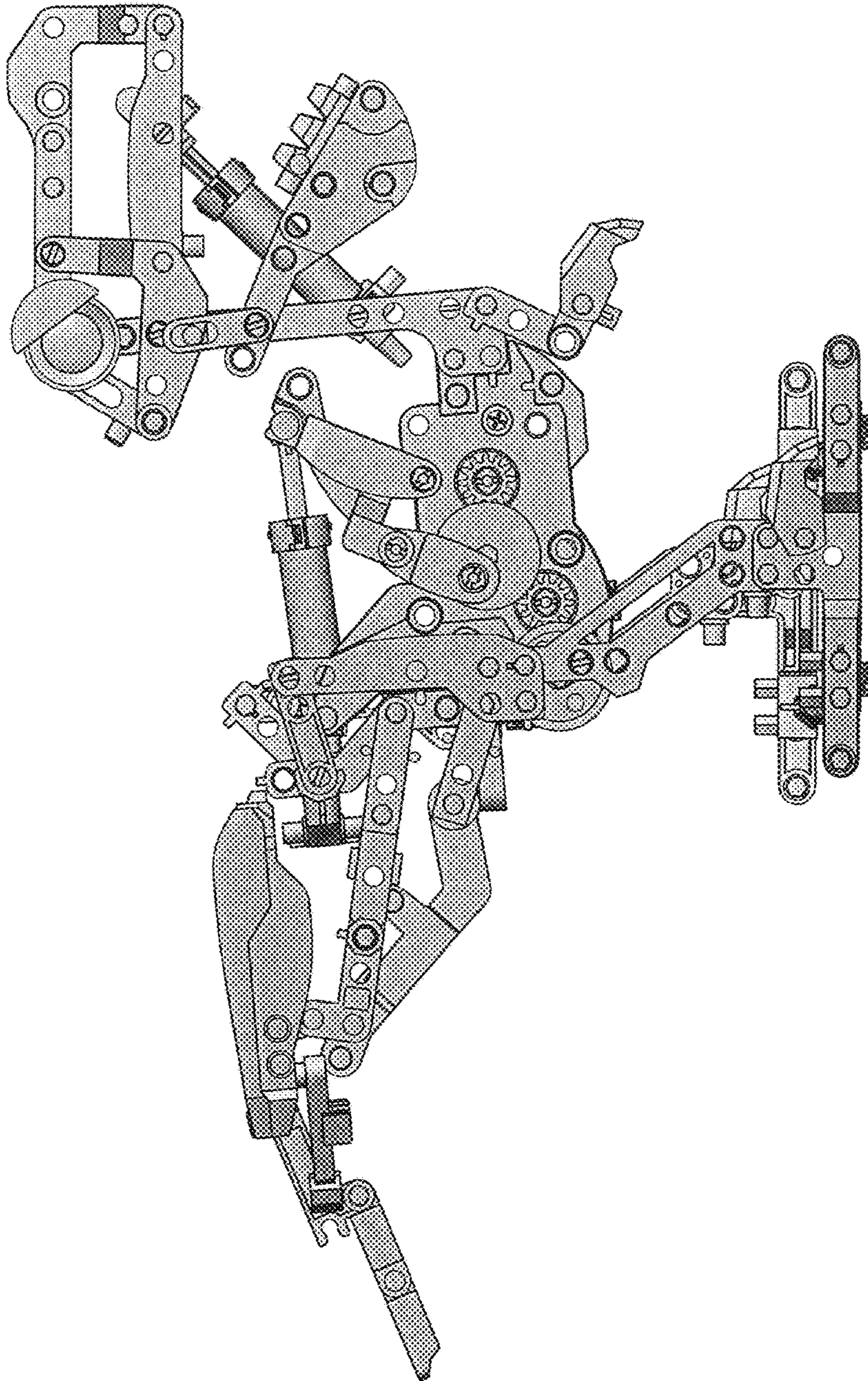


FIG. 3

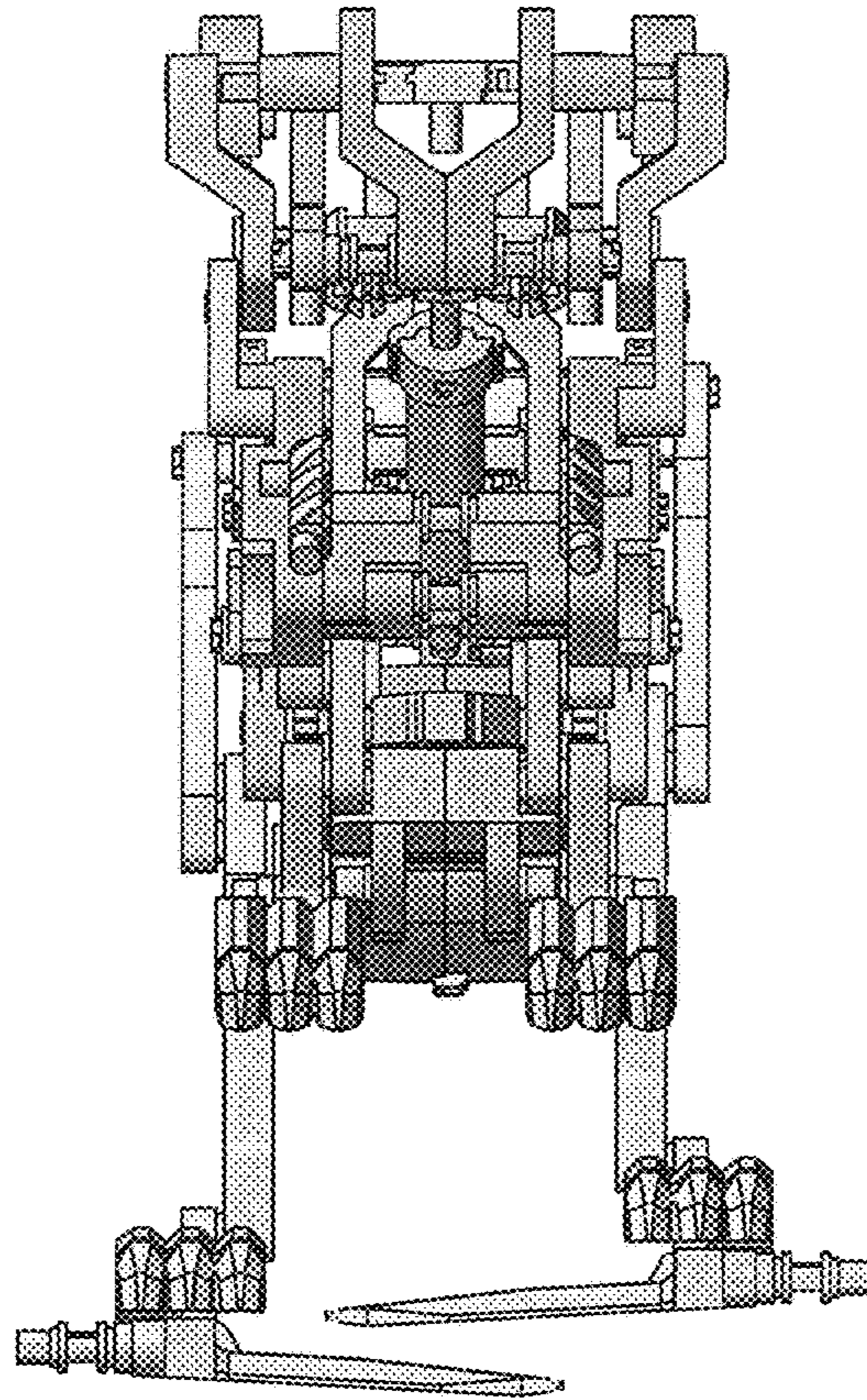


FIG.4

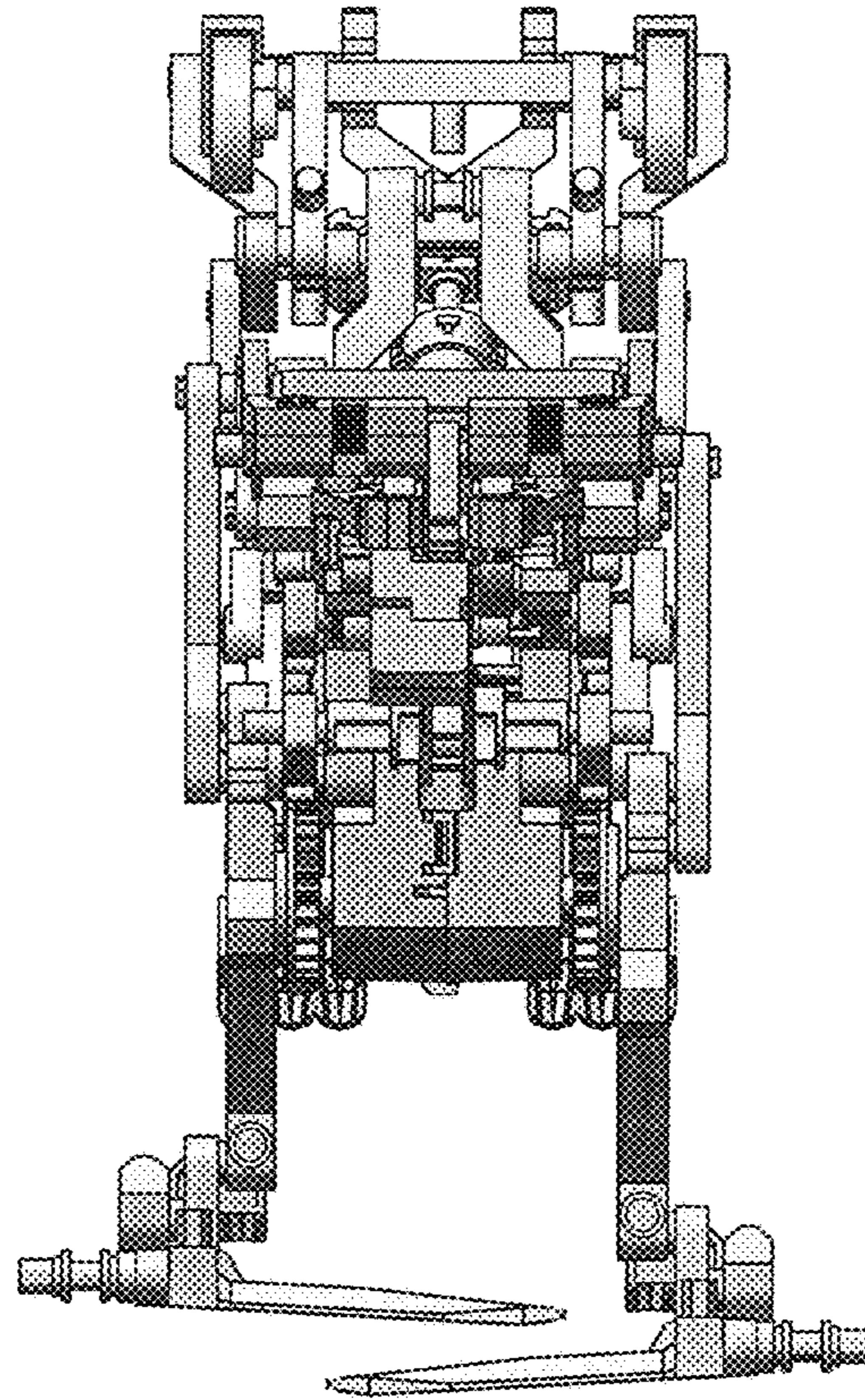


FIG.5

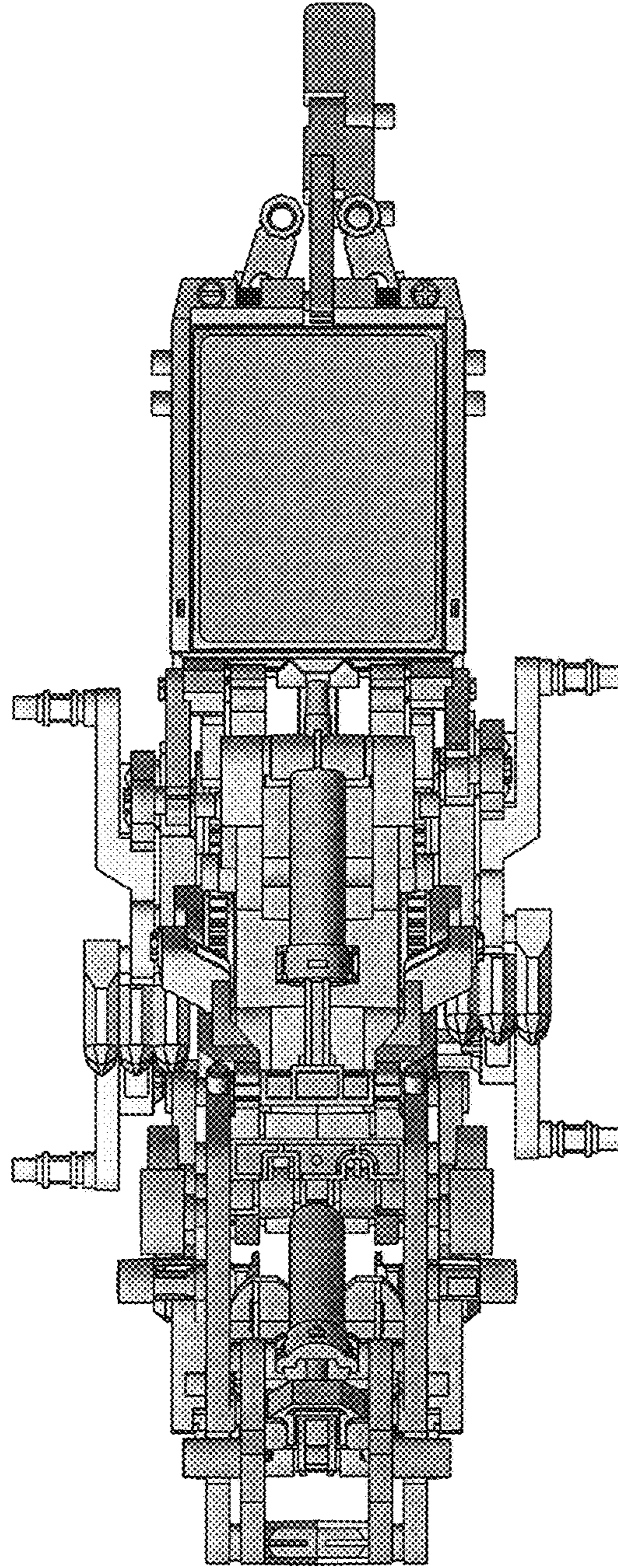


FIG.6

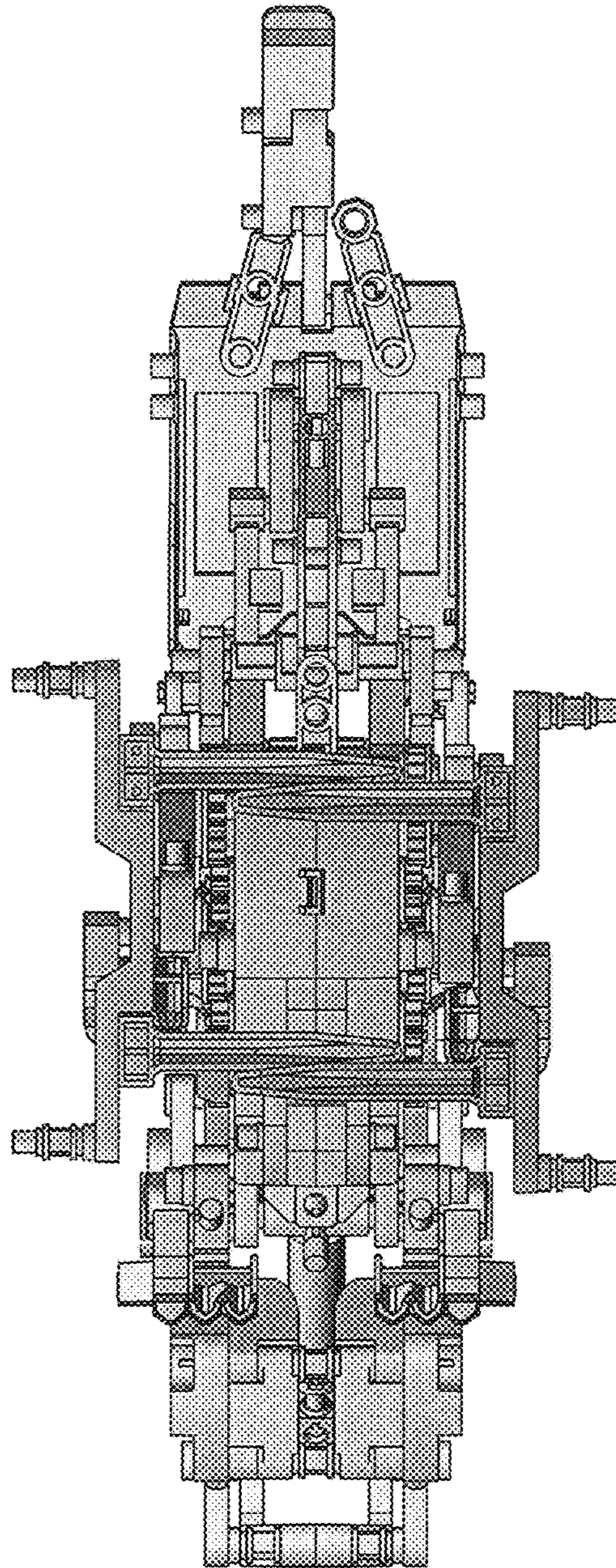


FIG.7

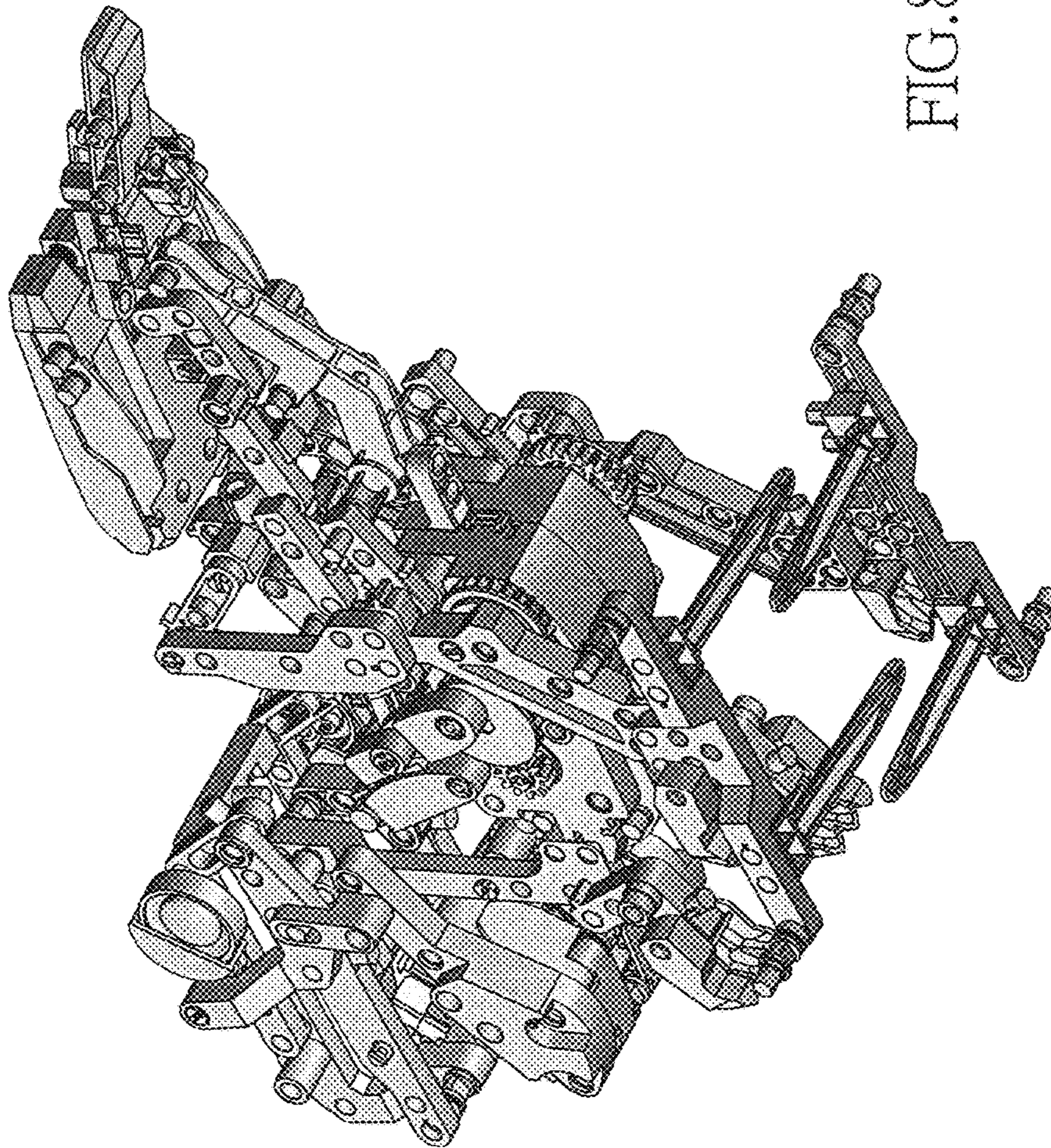


FIG.8