



US00D841099S

(12) **United States Design Patent** (10) **Patent No.:** **US D841,099 S**
Matsukawa (45) **Date of Patent:** **** Feb. 19, 2019**

(54) **ACCESSORY FOR SPINNING TOP TOY**

FOREIGN PATENT DOCUMENTS

(71) Applicant: **TOMY COMPANY, LTD.**, Tokyo (JP)
 (72) Inventor: **Hiroyuki Matsukawa**, Tokyo (JP)
 (73) Assignee: **TOMY COMPANY, LTD.**, Tokyo (JP)
 (**) Term: **15 Years**
 (21) Appl. No.: **29/631,169**
 (22) Filed: **Dec. 28, 2017**

CN	300862260	* 12/2008
CN	301877951	* 4/2012
CN	302300475	* 1/2013
CN	303404375	* 10/2015
CN	303863705	* 9/2016
CN	303970411	* 12/2016
EM	003253442-0004	* 7/2016
EM	003253442-0008	* 7/2016
EM	003318252-0001	* 8/2016
JP	D1549750	* 5/2016
JP	D1549751	* 5/2016
WO	D098283-005	* 4/2018

* cited by examiner

(30) **Foreign Application Priority Data**

Jul. 7, 2017 (JP) 2017-014675

(51) **LOC (11) Cl.** **21-01**

(52) **U.S. Cl.**
USPC **D21/460**

(58) **Field of Classification Search**
USPC D21/455-464; 446/236-266
CPC A63H 1/00-1/32
See application file for complete search history.

(56) **References Cited**

U.S. PATENT DOCUMENTS

D629,051 S	*	12/2010	Nishimoto	D21/460
D629,468 S	*	12/2010	Ujita	D21/460
D629,469 S	*	12/2010	Nishimoto	D21/460
D639,348 S	*	6/2011	Ujita	D21/460
D646,729 S	*	10/2011	Ujita	D21/460
D662,556 S	*	6/2012	Horikoshi	D21/460
D666,252 S	*	8/2012	Ujita	D21/460
D666,253 S	*	8/2012	Ujita	D21/460
D825,672 S	*	8/2018	Muraki	D21/460
D827,046 S	*	8/2018	Horikoshi	D21/460
D828,456 S	*	9/2018	Muraki	D21/460

Primary Examiner — Catherine A Tuttle

(74) *Attorney, Agent, or Firm* — Staas & Halsey LLP

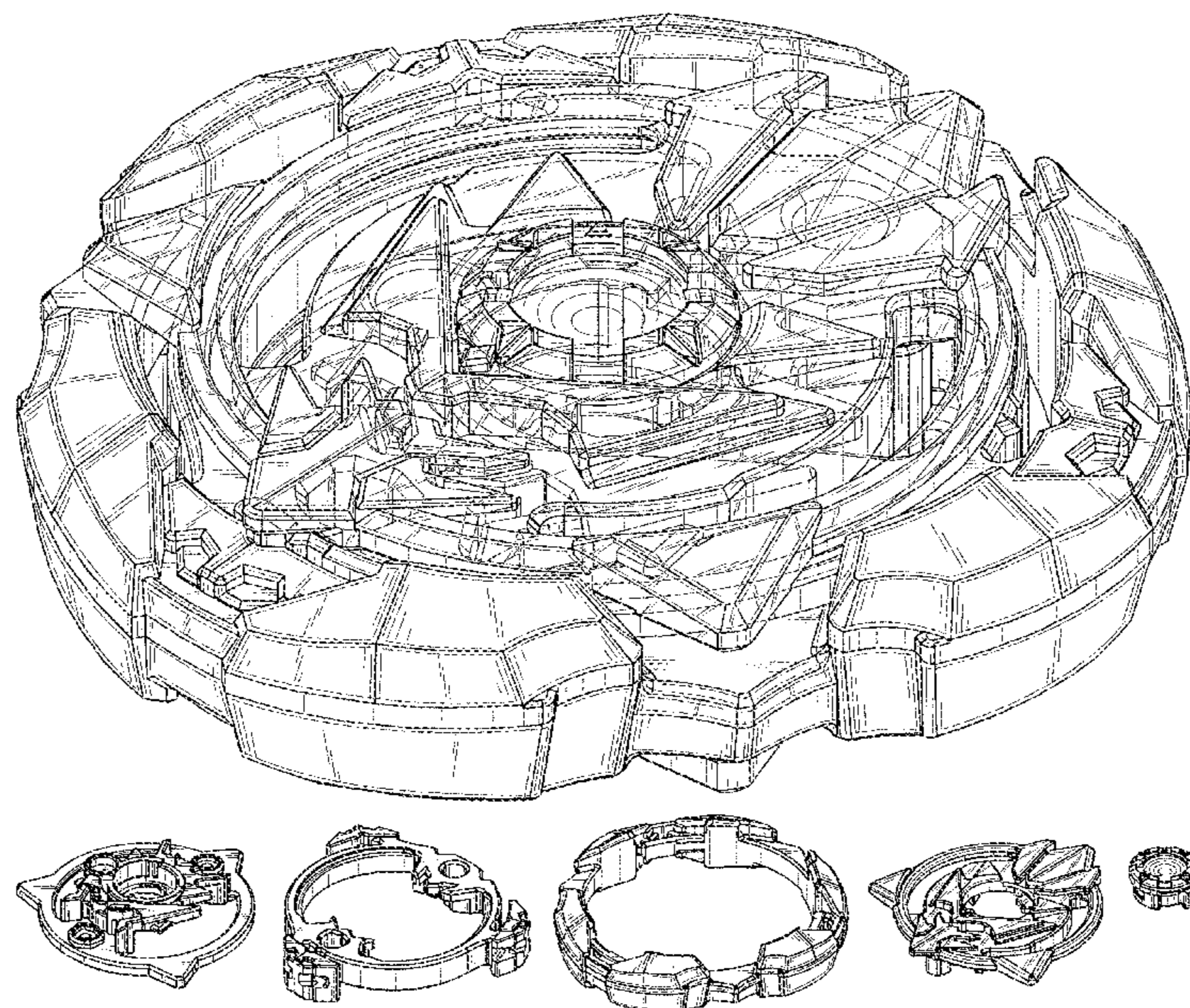
(57) **CLAIM**

The ornamental design for an accessory for spinning top toy, as shown.

DESCRIPTION

FIG. 1 is a front view of the accessory for spinning top toy showing my design;
 FIG. 2 is a left side view thereof;
 FIG. 3 is a rear view thereof;
 FIG. 4 is a right side view thereof;
 FIG. 5 is a top view thereof;
 FIG. 6 is a bottom view thereof;
 FIG. 7 is a front, top and right perspective view thereof;
 FIG. 8 is a disassembled front, top and right perspective view thereof; and,
 FIG. 9 is a disassembled rear, bottom and left perspective view thereof.

1 Claim, 9 Drawing Sheets



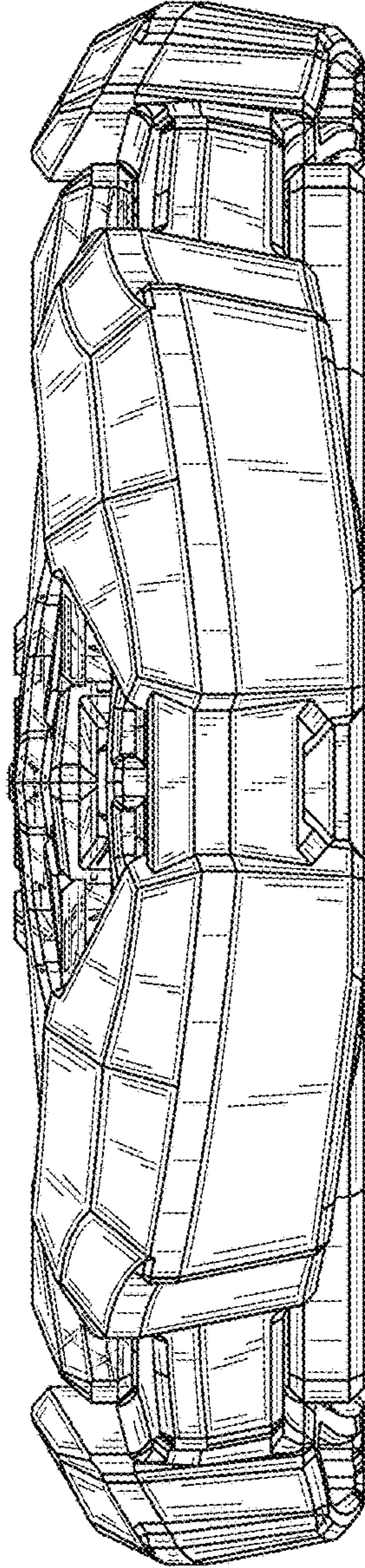


FIG. 1

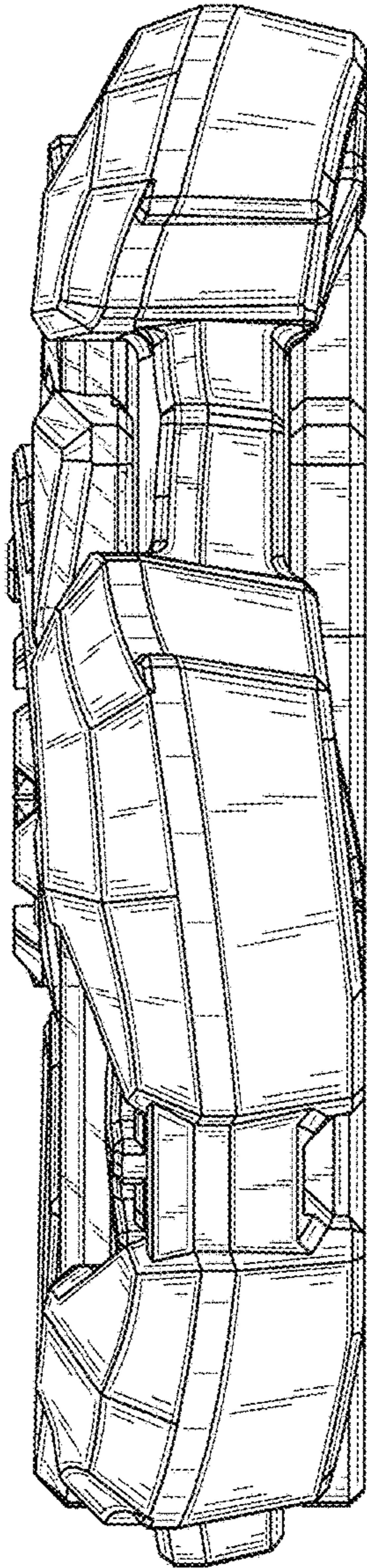


FIG. 2

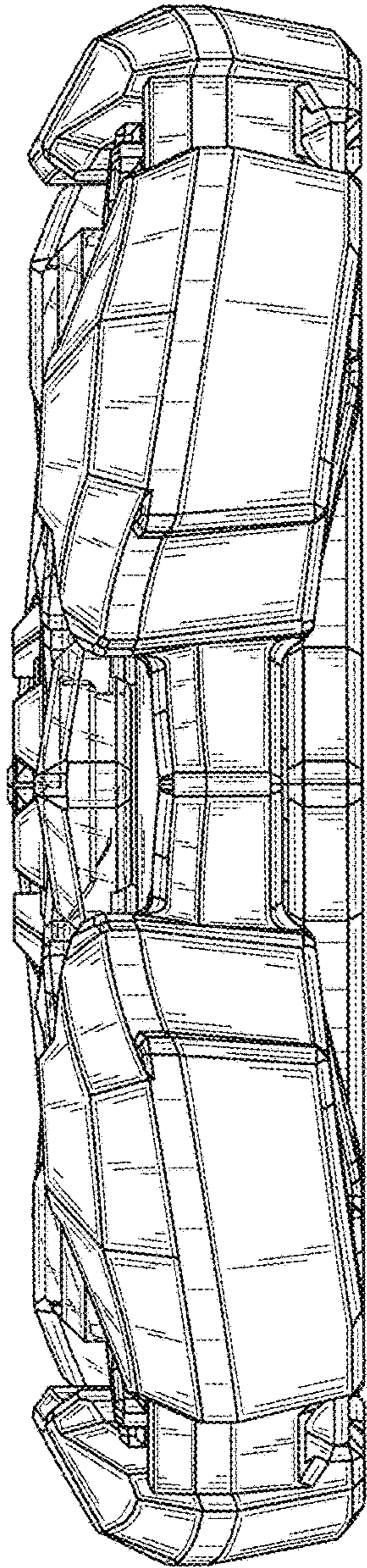


FIG. 3

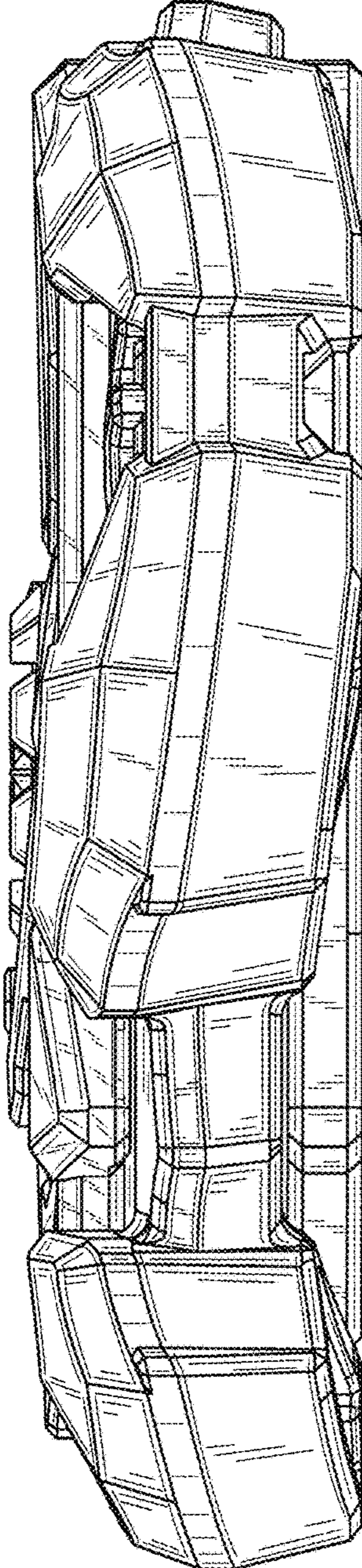


FIG. 4

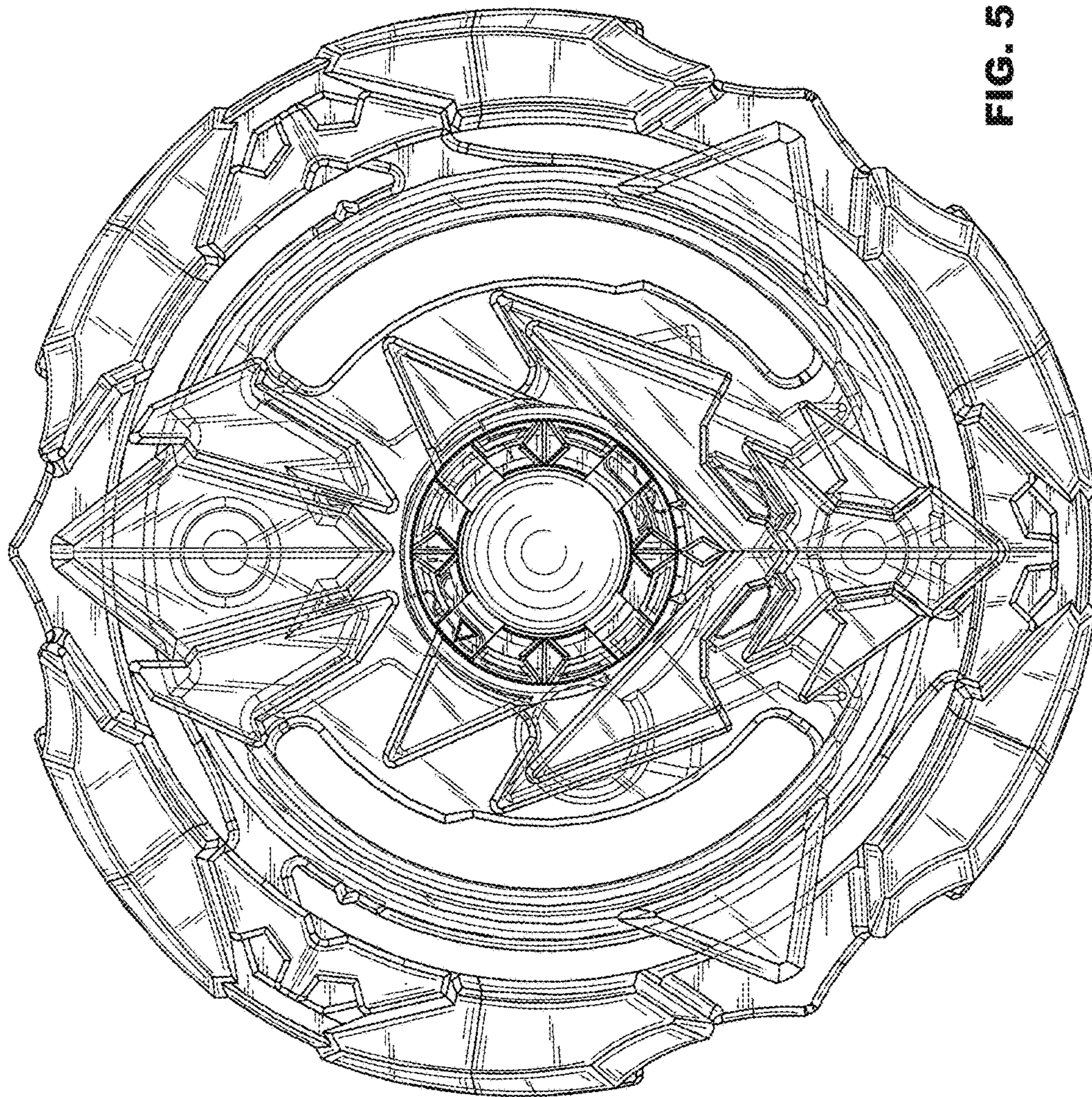


FIG. 5

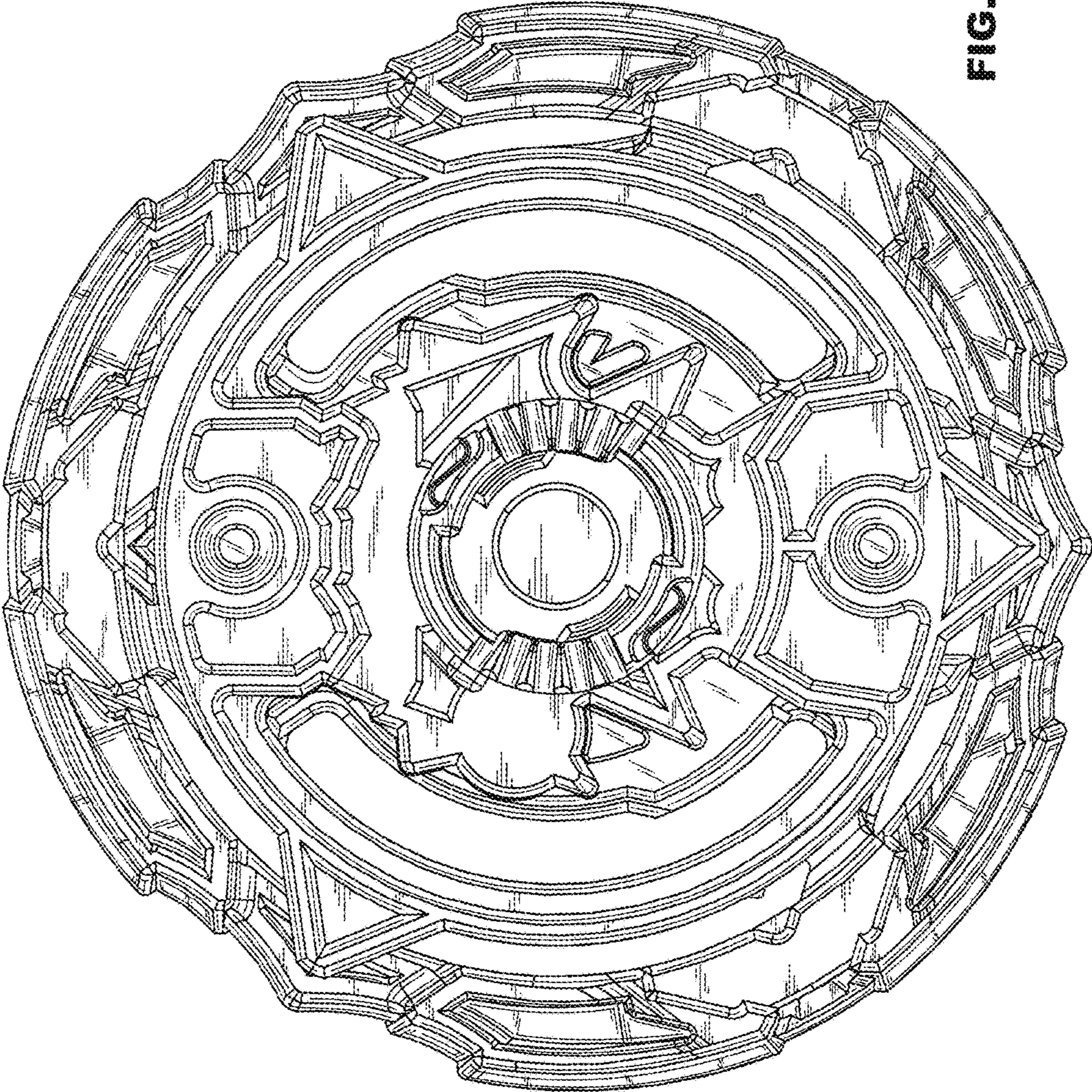


FIG. 6

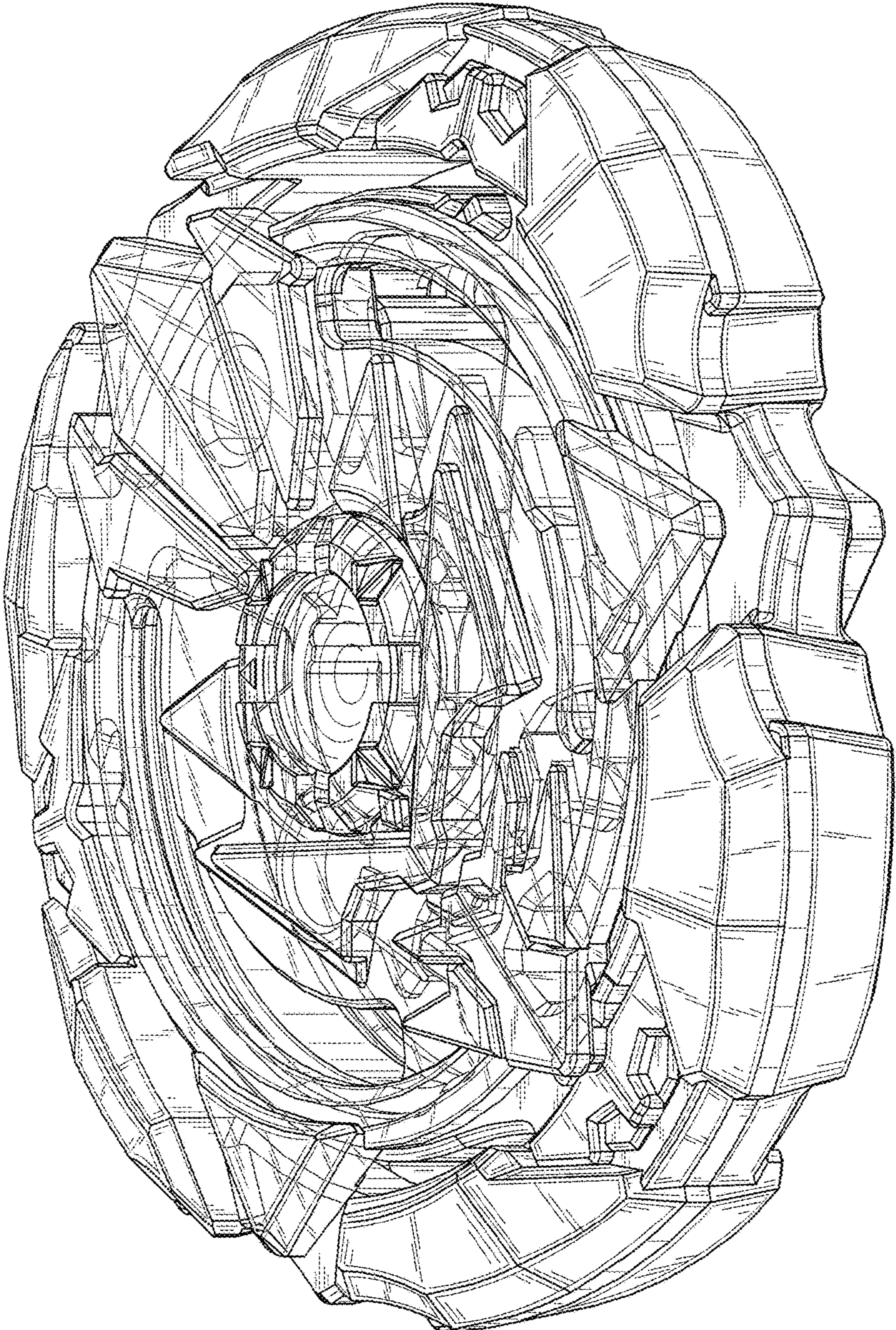


FIG. 7

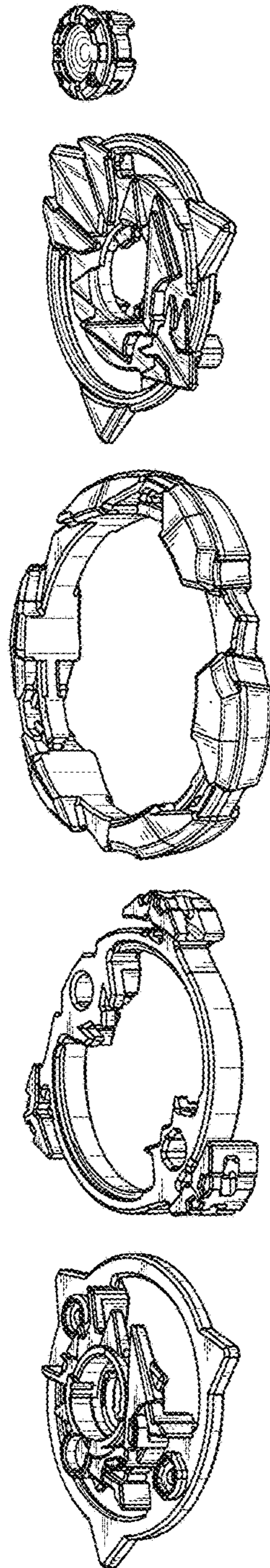


FIG. 8

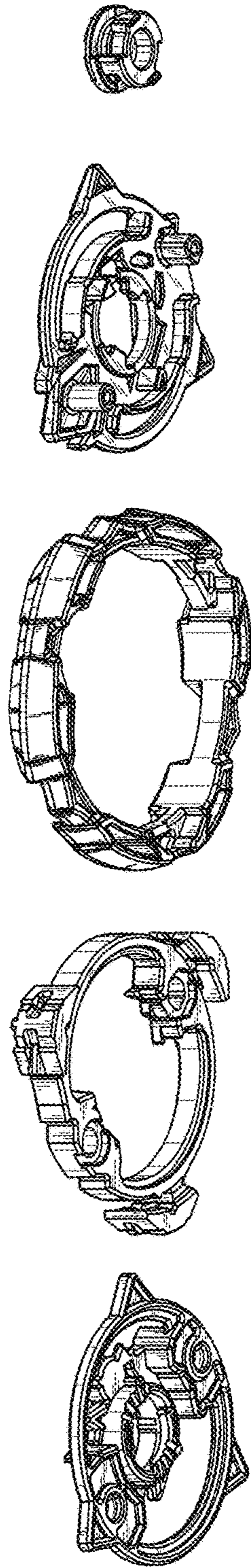


FIG. 9