



US00D841098S

(12) **United States Design Patent**
Narita

(10) **Patent No.:** **US D841,098 S**
(45) **Date of Patent:** **** Feb. 19, 2019**

(54) **SPINNING TOP TOY**

FOREIGN PATENT DOCUMENTS

- (71) Applicant: **TOMY COMPANY, LTD.**, Tokyo (JP)
- (72) Inventor: **Kouji Narita**, Tokyo (JP)
- (73) Assignee: **TOMY COMPANY, LTD.**, Tokyo (JP)
- (**) Term: **15 Years**
- (21) Appl. No.: **29/630,770**
- (22) Filed: **Dec. 22, 2017**

CN	303533300	*	12/2015	
CN	304266105	*	9/2017	
EM	003047489-0008	*	4/2016	
EM	D1549756	*	5/2016	
EM	003318252-0001	*	8/2016	
EM	003770668-0003	*	5/2017	
JP	3160657 U	*	7/2010 A63H 1/00
JP	D1538615	*	11/2015	
JP	6111365 B1	*	4/2017 A63H 1/02
JP	6184576 B1	*	8/2017 A63H 1/02
JP	6232112 B1	*	11/2017 A63H 1/04
WO	WO-2012162706 A1	*	11/2012 A63F 9/16
WO	D098283-004	*	4/2018	

(30) **Foreign Application Priority Data**

- Jul. 7, 2017 (JP) 2017-014674
- (51) **LOC (11) Cl.** **21-01**
- (52) **U.S. Cl.**
USPC **D21/460**
- (58) **Field of Classification Search**
USPC D21/455-464; 446/236-266
CPC A63H 1/00-1/32; A63F 9/16
See application file for complete search history.

* cited by examiner

Primary Examiner — Catherine A Tuttle

(74) *Attorney, Agent, or Firm* — Staas & Halsey LLP

(57) **CLAIM**

The ornamental design for a spinning top toy, as shown.

DESCRIPTION

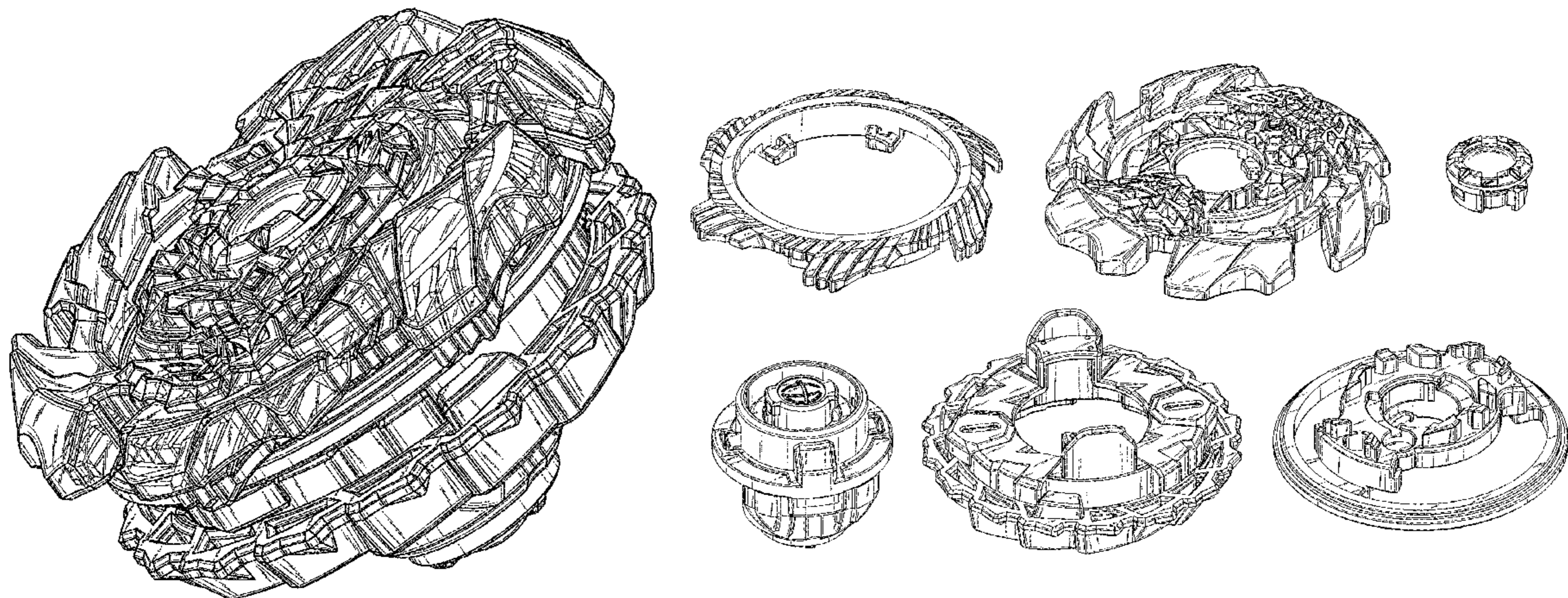
FIG. 1 is a front view of the spinning top toy showing my design;
 FIG. 2 is a left side view thereof;
 FIG. 3 is a rear view thereof;
 FIG. 4 is a right side view thereof;
 FIG. 5 is a top view thereof;
 FIG. 6 is a bottom view thereof;
 FIG. 7 is a front, top and right perspective view thereof;
 FIG. 8 is a disassembled front, top and right perspective view thereof; and,
 FIG. 9 is a disassembled rear, bottom and left perspective view thereof.

(56) **References Cited**

U.S. PATENT DOCUMENTS

D608,842 S	*	1/2010	Nishimoto	D21/460
D614,245 S	*	4/2010	Ujita	D21/460
D629,847 S	*	12/2010	Ujita	D21/460
D629,848 S	*	12/2010	Ujita	D21/460
D639,348 S	*	6/2011	Ujita	D21/460
D639,869 S	*	6/2011	Nishimoto	D21/460
D660,918 S	*	5/2012	Ujita	D21/460
D666,252 S	*	8/2012	Ujita	D21/460
D666,253 S	*	8/2012	Ujita	D21/460
D820,919 S	*	6/2018	Horikoshi	D21/460
2018/0104602 A1	*	4/2018	Muraki	A63H 1/00

1 Claim, 9 Drawing Sheets



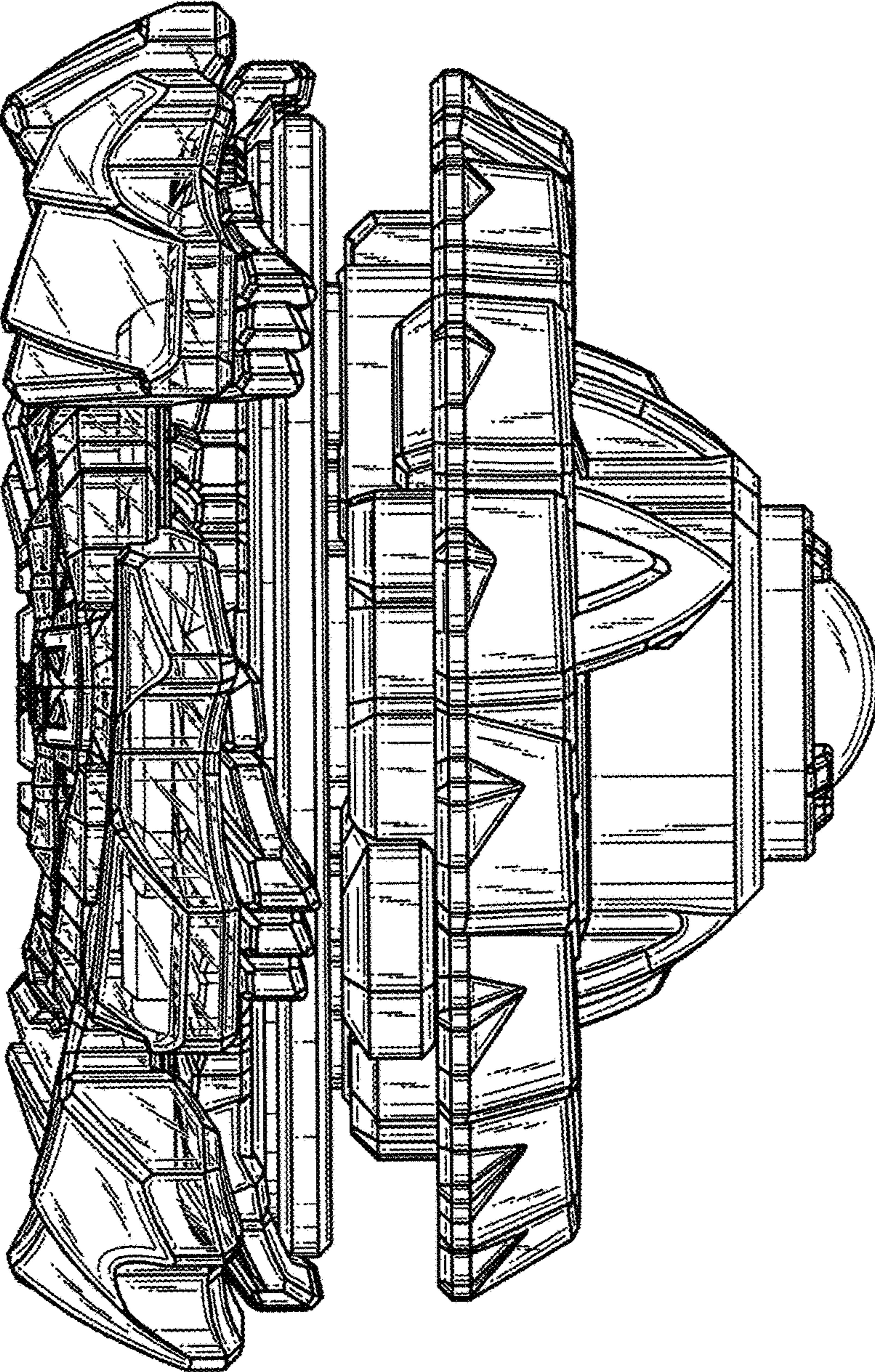


FIG. 1

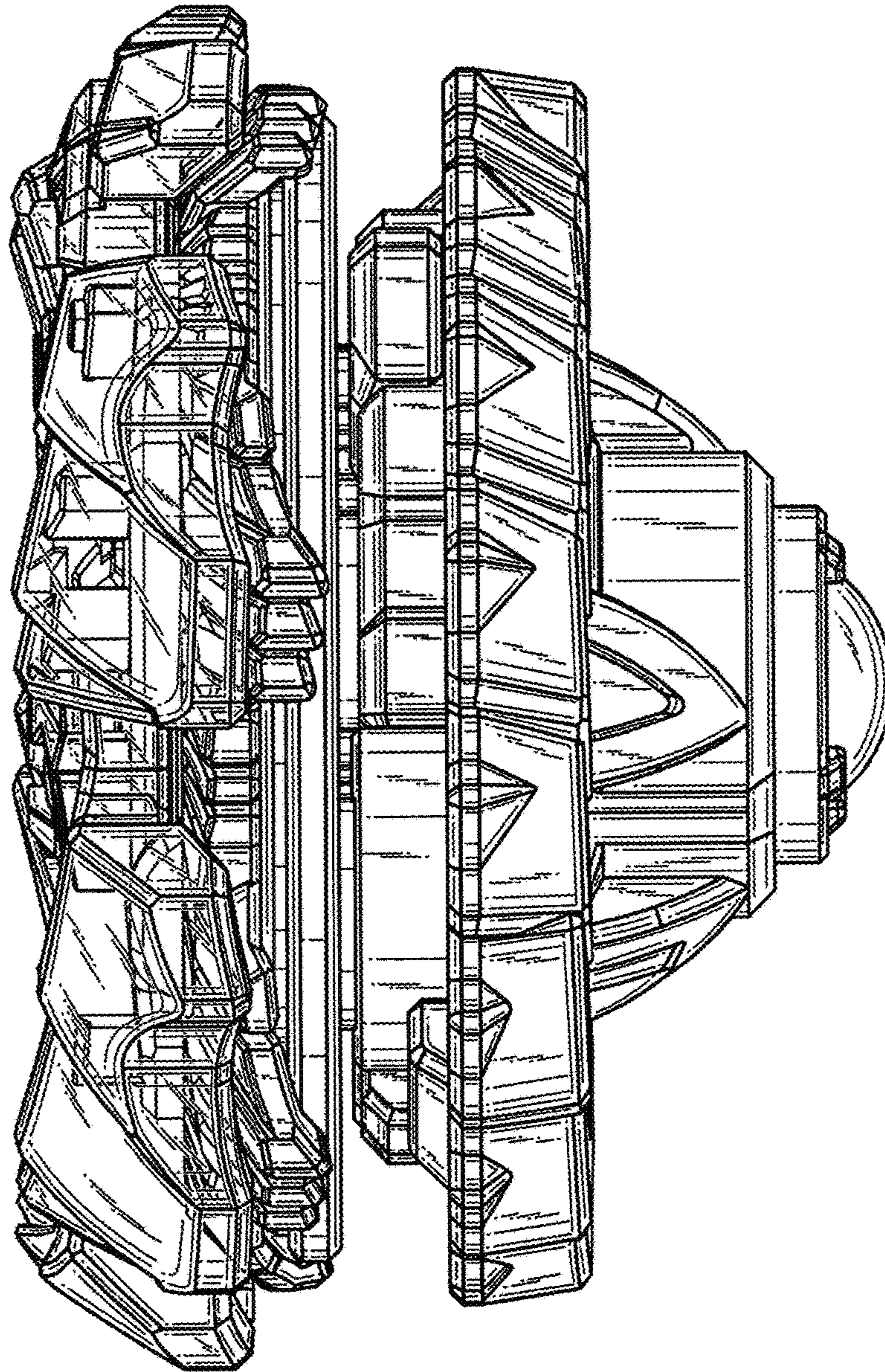


FIG. 2

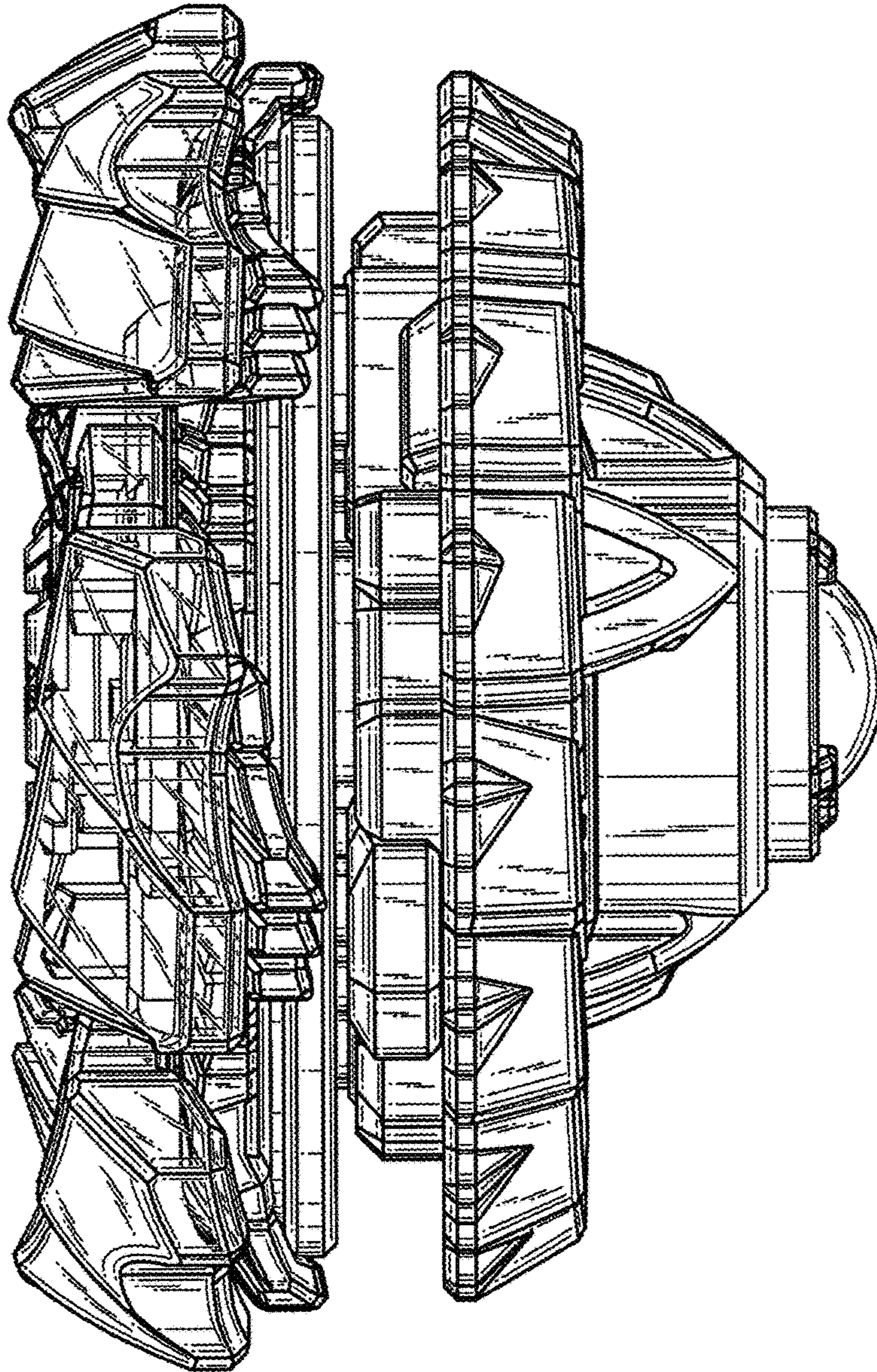


FIG. 3

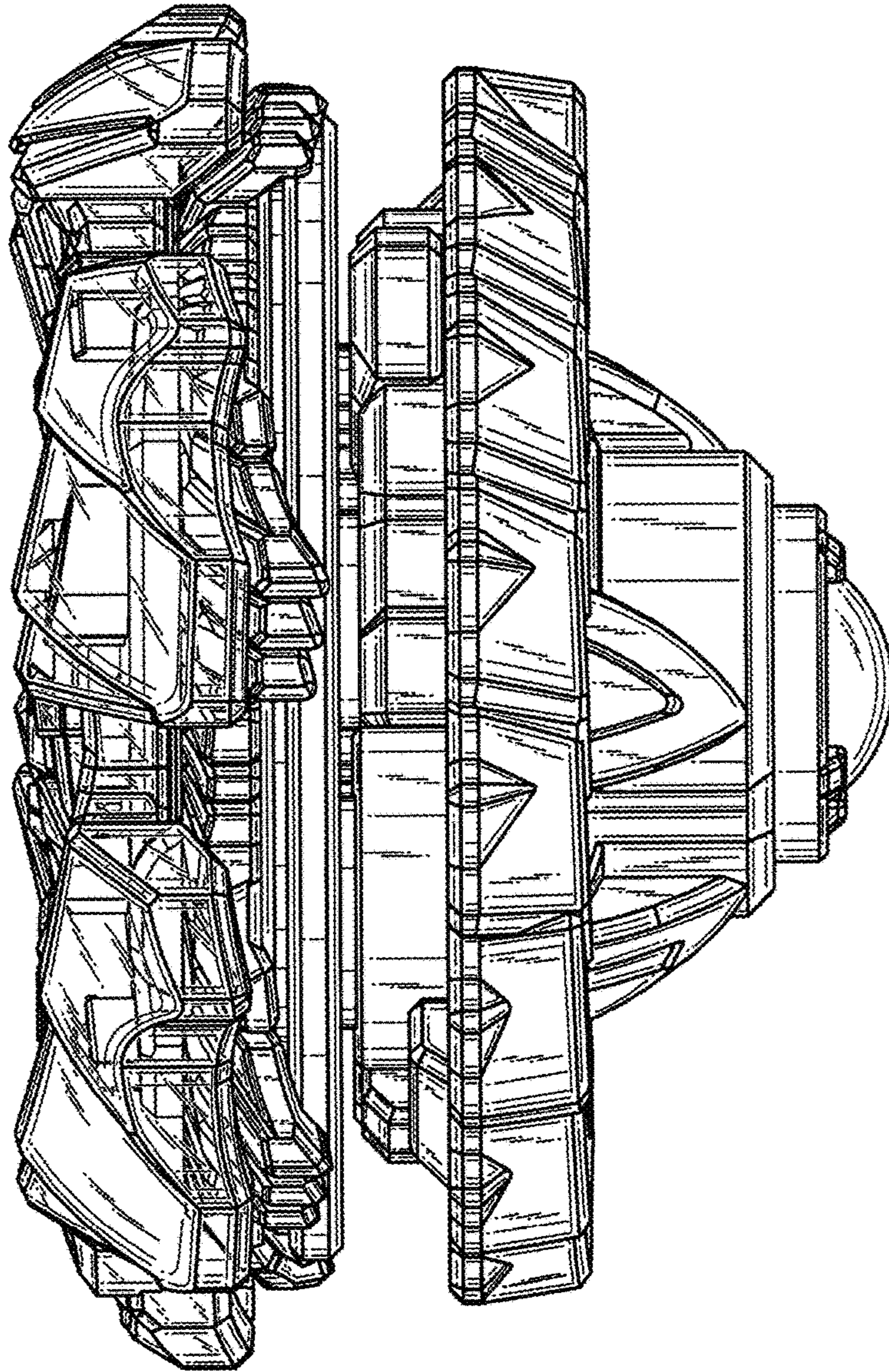


FIG. 4

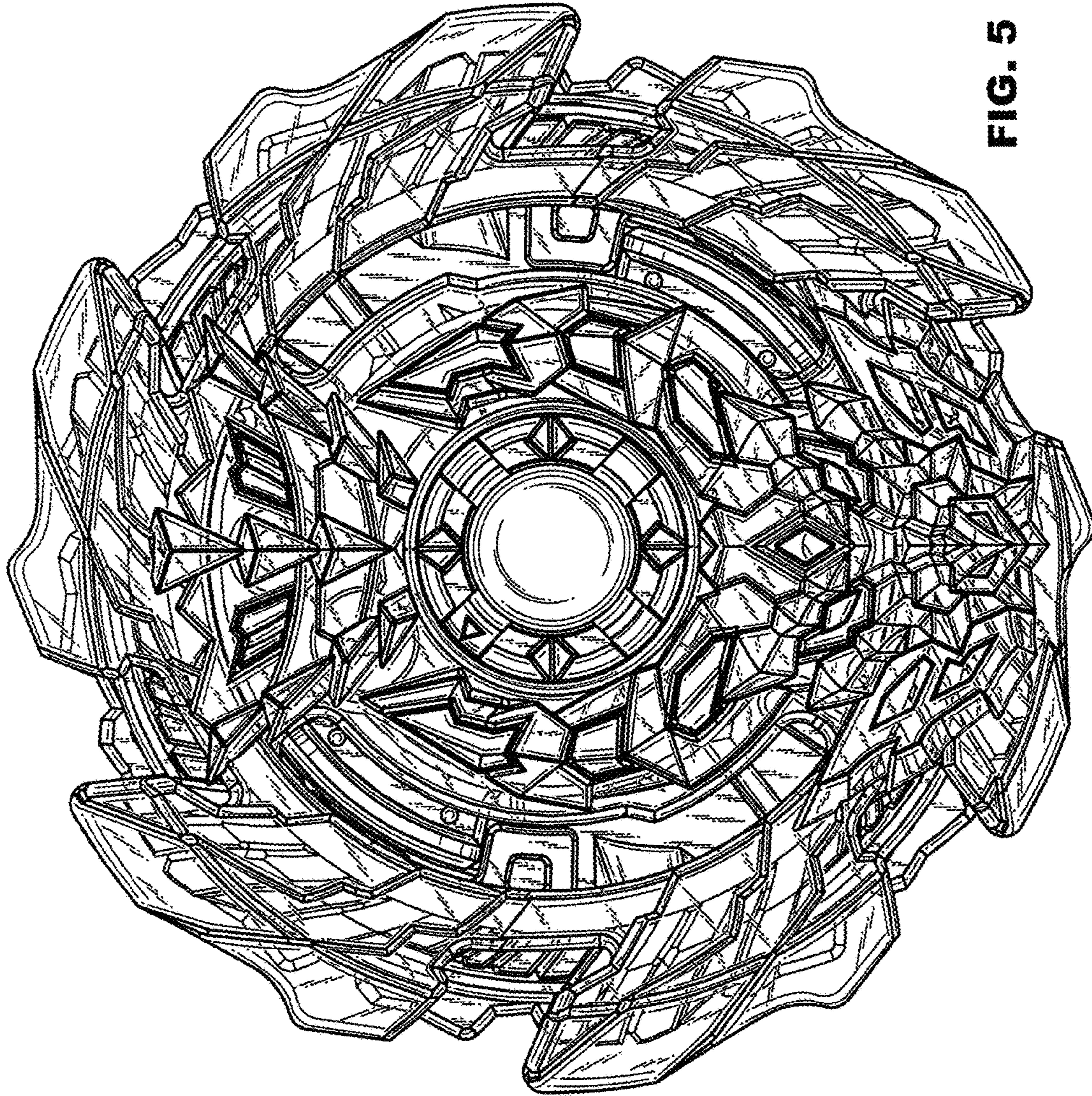


FIG. 5

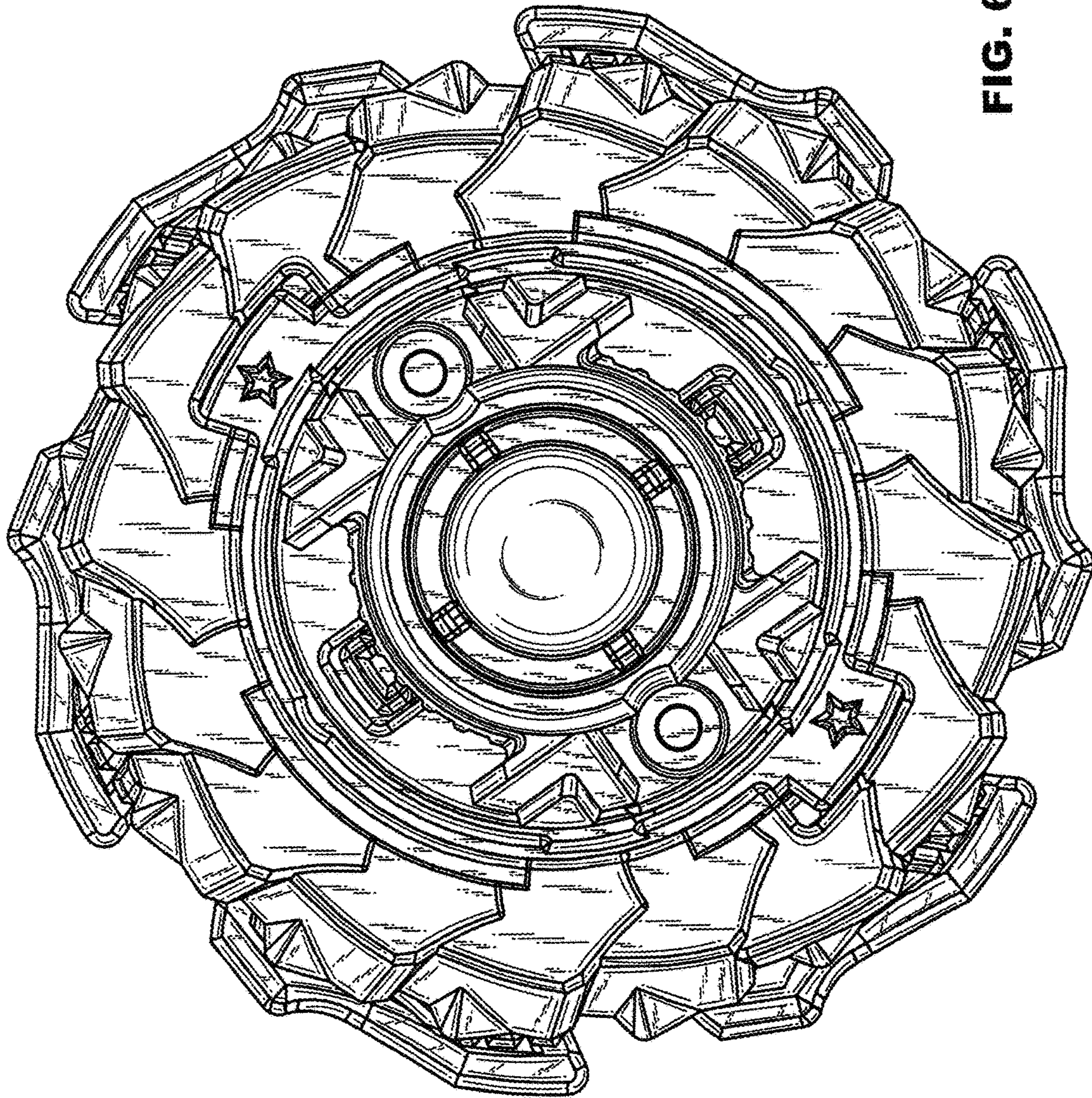


FIG. 6

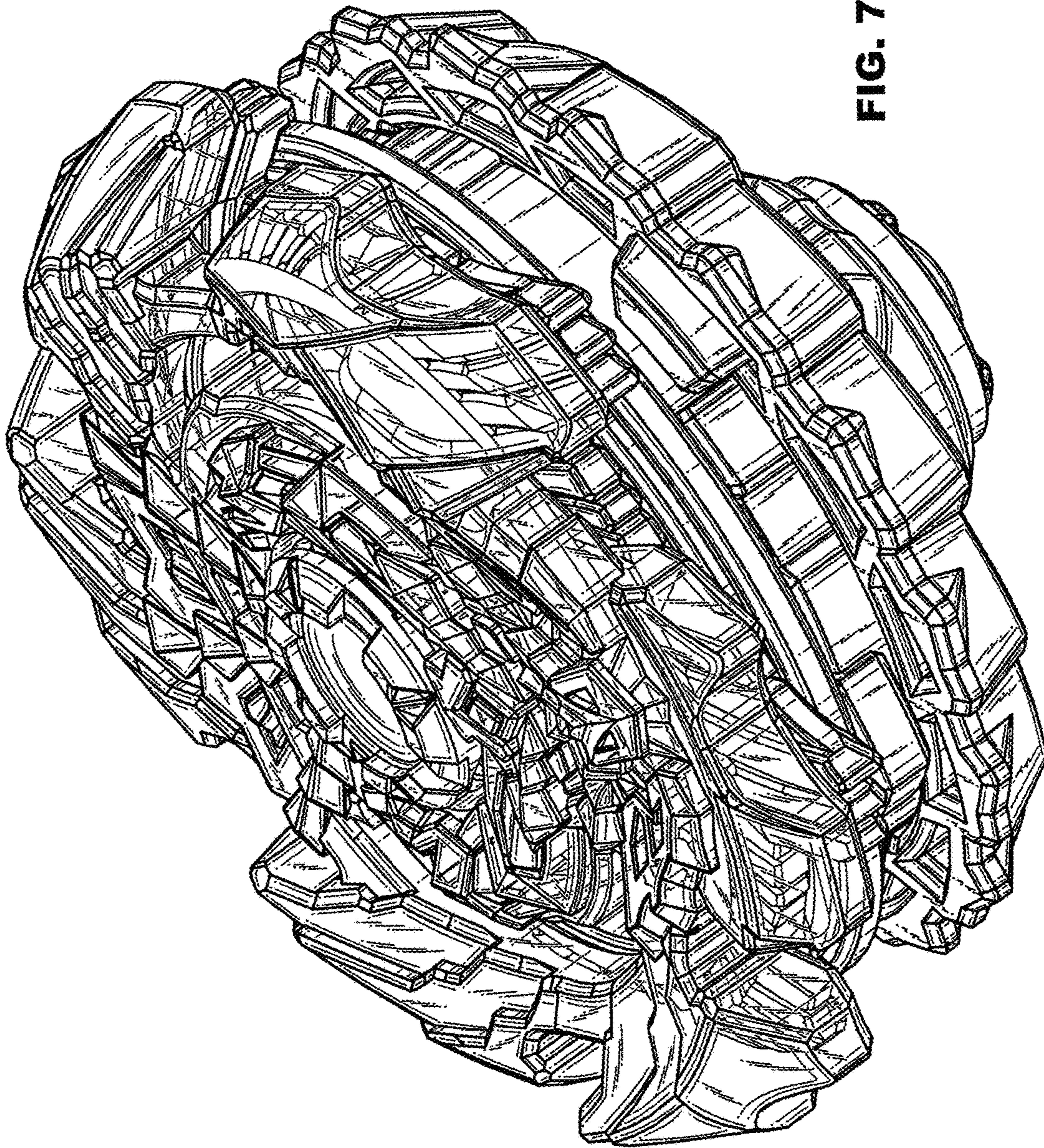


FIG. 7

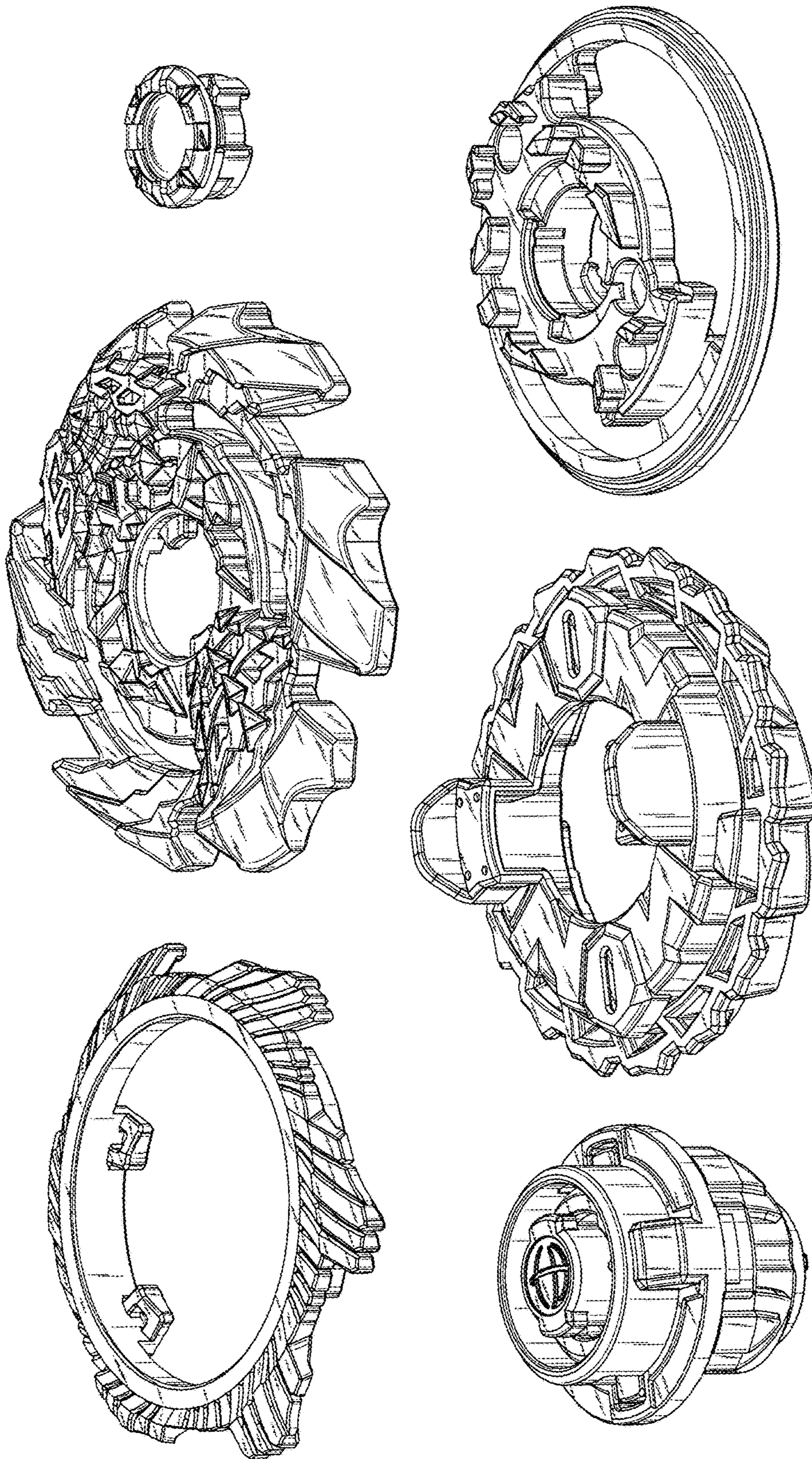


FIG. 8

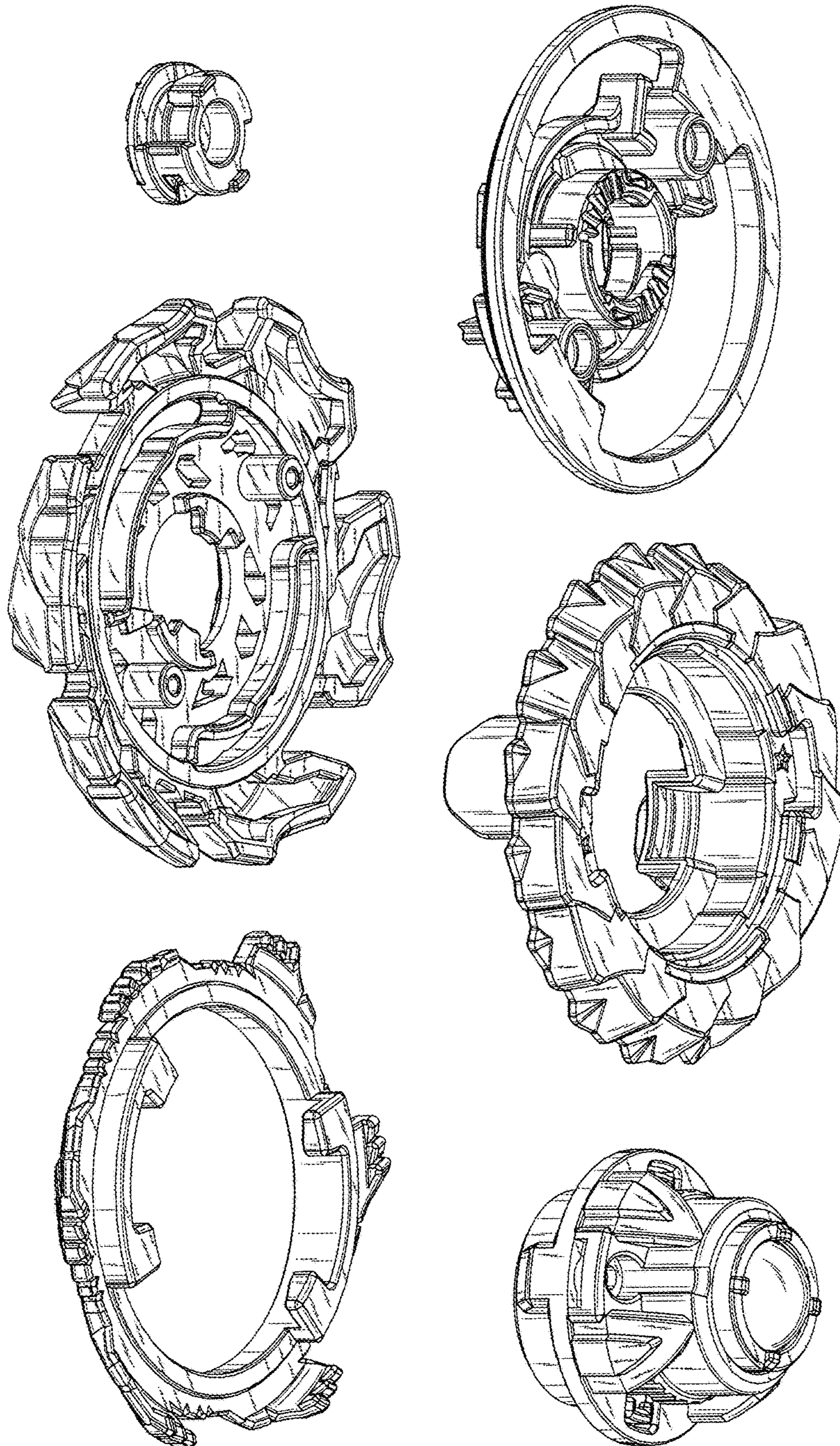


FIG. 9