



US00D841097S

(12) **United States Design Patent**  
**Zeng**

(10) **Patent No.:** **US D841,097 S**  
(45) **Date of Patent:** **\*\* Feb. 19, 2019**

- (54) **ELECTRIC SCOOTER**
- (71) Applicant: **Suzhou Dynavolt Intelligent Vehicle Technology Co., Ltd., Jiangsu (CN)**
- (72) Inventor: **Xian-Sheng Zeng, Jiangsu (CN)**
- (73) Assignee: **Suzhou Dynavolt Intelligent Vehicle Technology Co., Ltd., Jiangsu (CN)**
- (\*\*) Term: **15 Years**
- (21) Appl. No.: **29/586,871**
- (22) Filed: **Dec. 7, 2016**

D450,355 S *	11/2001	Chan .....	D21/423
D456,460 S *	4/2002	Tseng .....	D21/423
D464,379 S *	10/2002	Lin .....	D21/423
D489,771 S *	5/2004	Laver .....	D21/423
D492,367 S *	6/2004	Dennis .....	D21/423
D497,397 S *	10/2004	Sramek .....	D21/423
D516,132 S *	2/2006	Sramek .....	D21/423
D565,670 S *	4/2008	Henry .....	D21/423
D656,560 S *	3/2012	Patterson .....	D21/423
D693,414 S *	11/2013	Hadley .....	D21/423
D715,870 S *	10/2014	Talios .....	D21/423
D750,180 S *	2/2016	Edlauer .....	D21/423
D756,464 S *	5/2016	Edlauer .....	D21/423
D756,465 S *	5/2016	Byrne .....	D21/423
D774,145 S *	12/2016	Hadley .....	D21/423
D774,961 S *	12/2016	Allen .....	D12/110
2003/0221888 A1 *	12/2003	McKinney, Jr. ....	B62K 3/002 180/181

- (30) **Foreign Application Priority Data**  
Jun. 8, 2016 (CN) ..... 2016 3 0230151
- (51) **LOC (11) Cl.** ..... **21-01**
- (52) **U.S. Cl.**  
USPC ..... **D21/423**
- (58) **Field of Classification Search**  
USPC ..... D21/419, 421, 423, 426-428, 435,  
D21/668-671, 760, 765, 771  
CPC ..... B62K 3/002; B62K 15/00; B62K 21/16;  
B62M 1/00; B62M 1/36  
See application file for complete search history.

\* cited by examiner

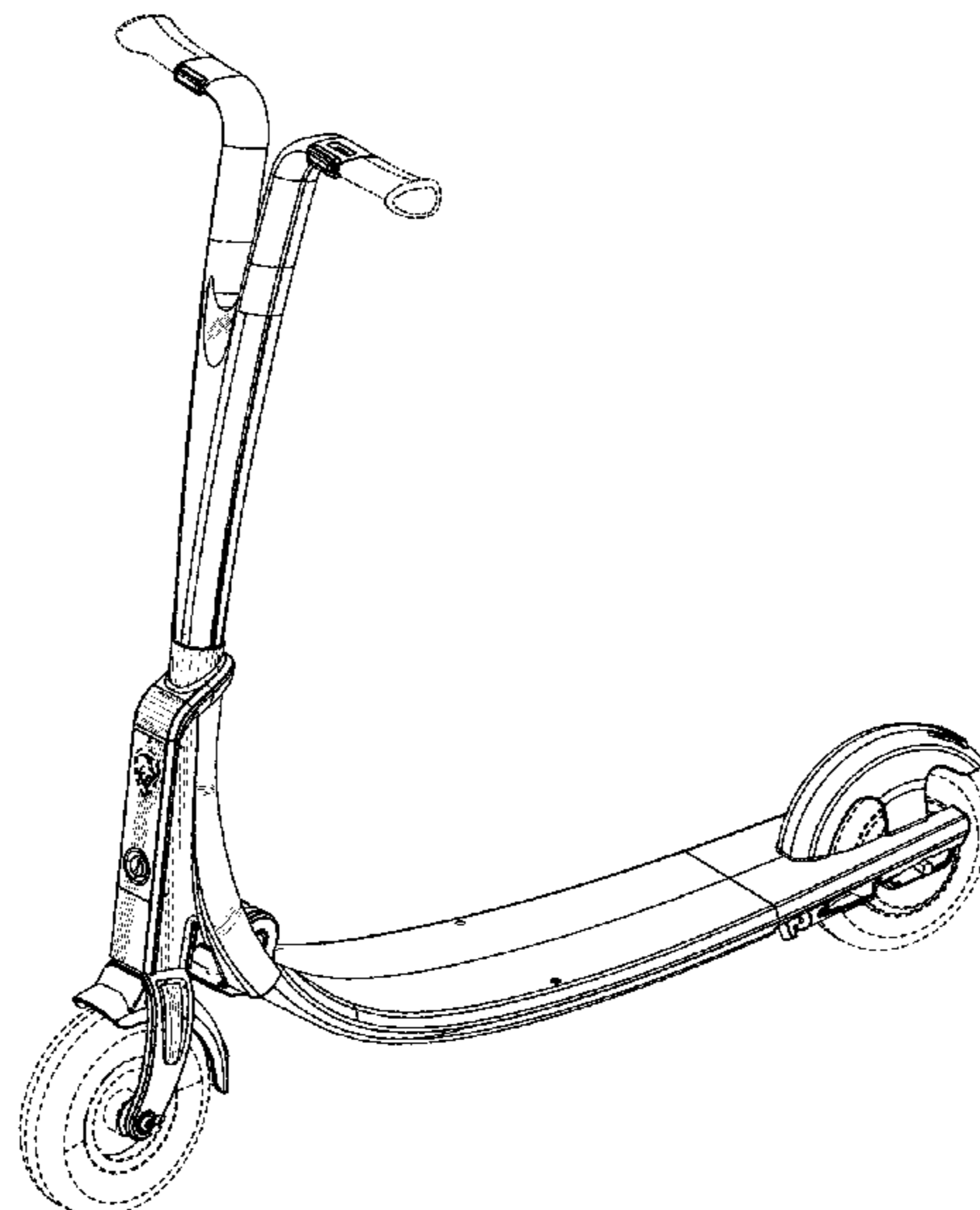
*Primary Examiner* — Darlington Ly  
(74) *Attorney, Agent, or Firm* — Taft Stettinius & Hollister LLP

- (56) **References Cited**  
U.S. PATENT DOCUMENTS  
4,842,091 A \* 6/1989 Badsey ..... B62K 3/002  
180/181  
D326,290 S \* 5/1992 Badsey ..... D12/110  
D352,921 S \* 11/1994 Pepe ..... D12/110  
5,927,733 A \* 7/1999 Banda ..... B62K 3/002  
188/19  
D414,220 S \* 9/1999 Catto ..... D21/423  
D449,860 S \* 10/2001 Lin ..... D21/423

(57) **CLAIM**  
The ornamental design for an electric scooter, as shown and described.

**DESCRIPTION**  
FIG. 1 is a front elevational view of an electric scooter showing my new design;  
FIG. 2 is a rear elevational view thereof;  
FIG. 3 is a left side elevational view thereof;  
FIG. 4 is a right side elevational view thereof;  
FIG. 5 is a top plan view thereof;  
FIG. 6 is a bottom plan view thereof; and,  
FIG. 7 is a front and right side perspective view thereof.  
The broken lines in the drawings illustrate portions of the electric scooter that form no part of the claimed design.

**1 Claim, 7 Drawing Sheets**



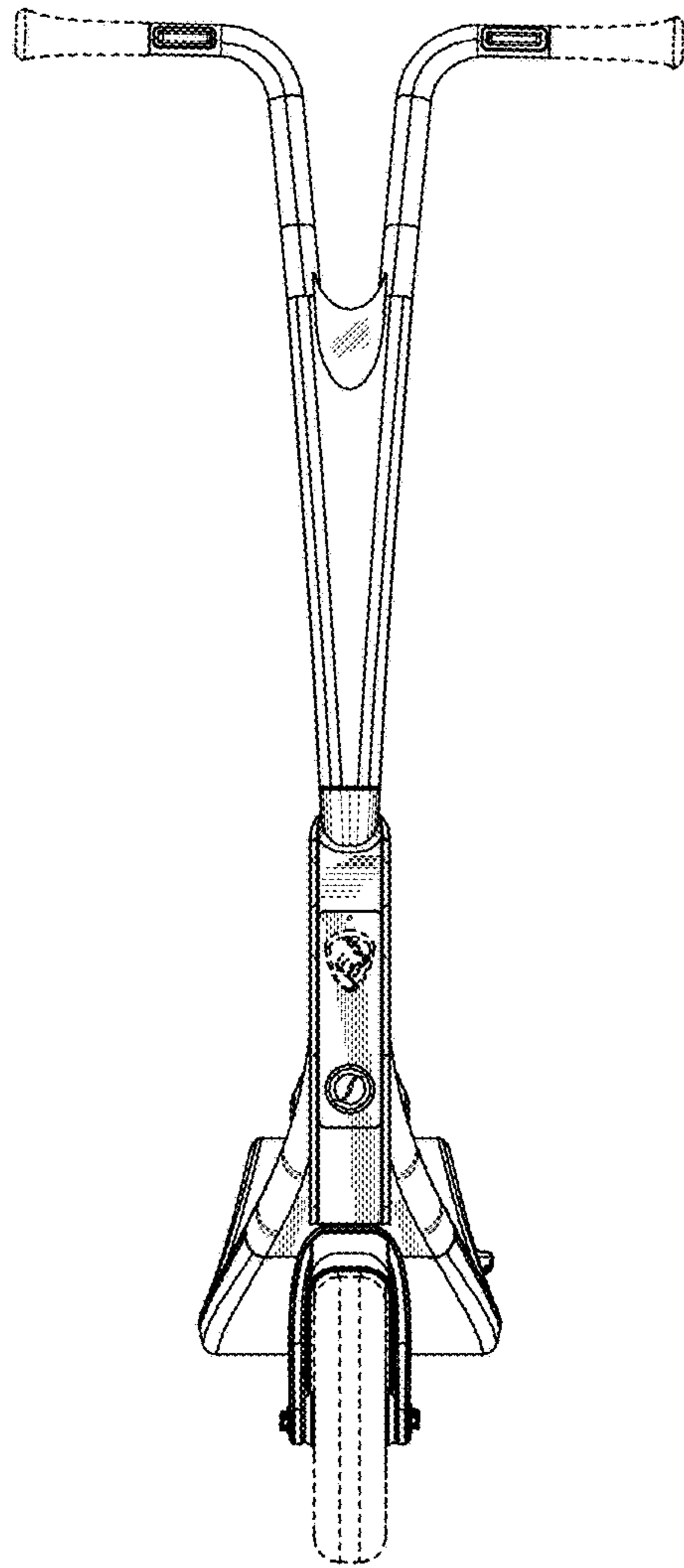


FIG. 1

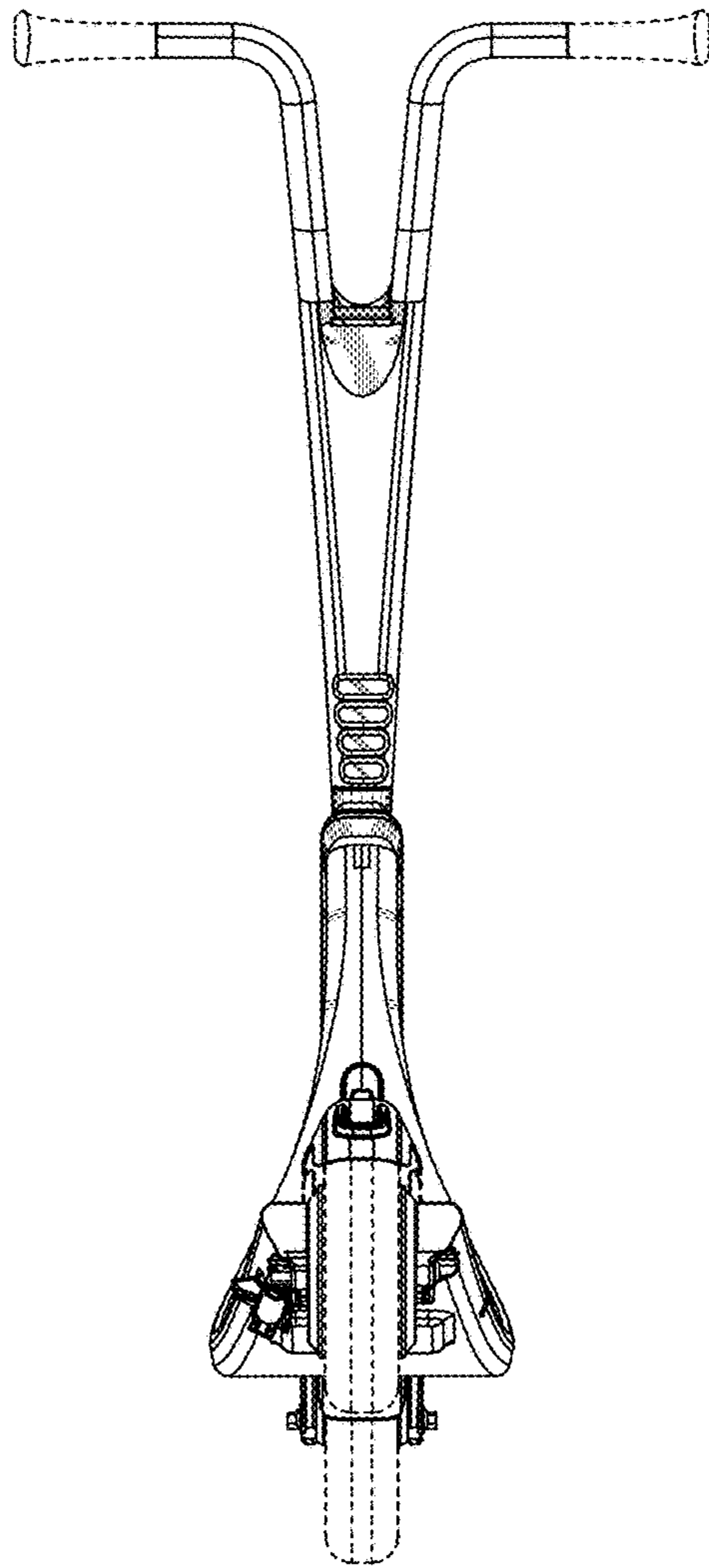


FIG. 2

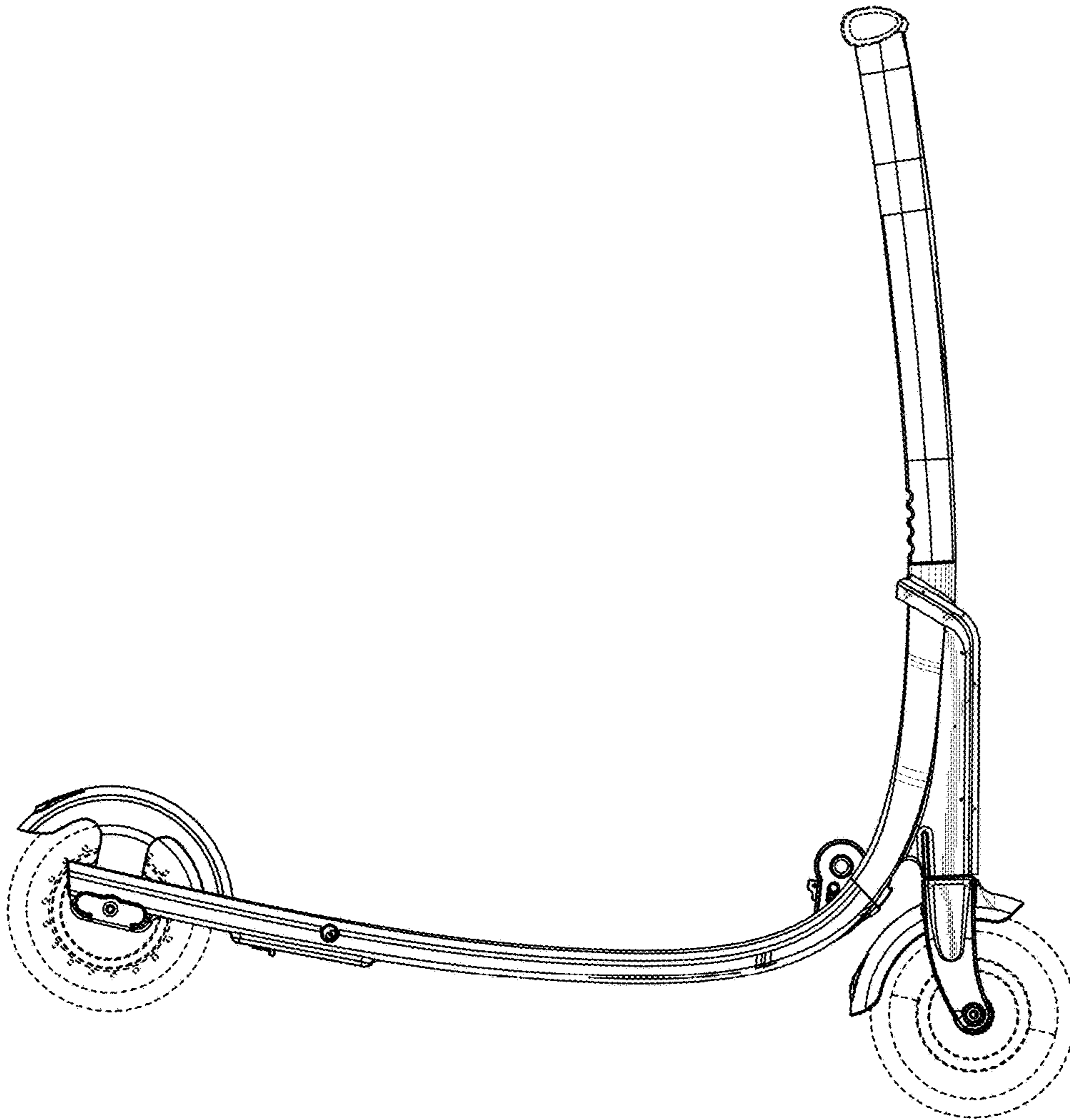


FIG. 3

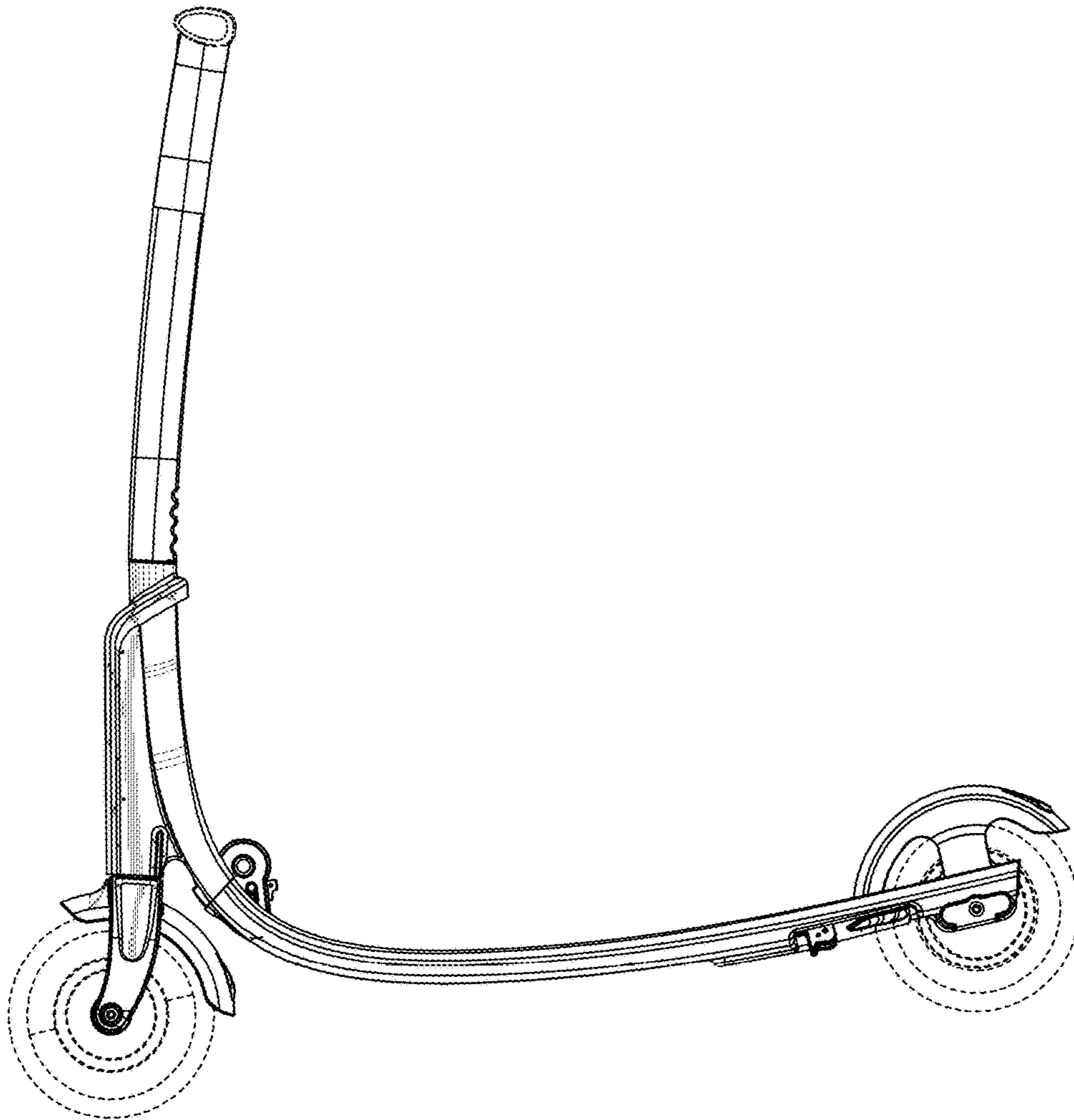


FIG. 4

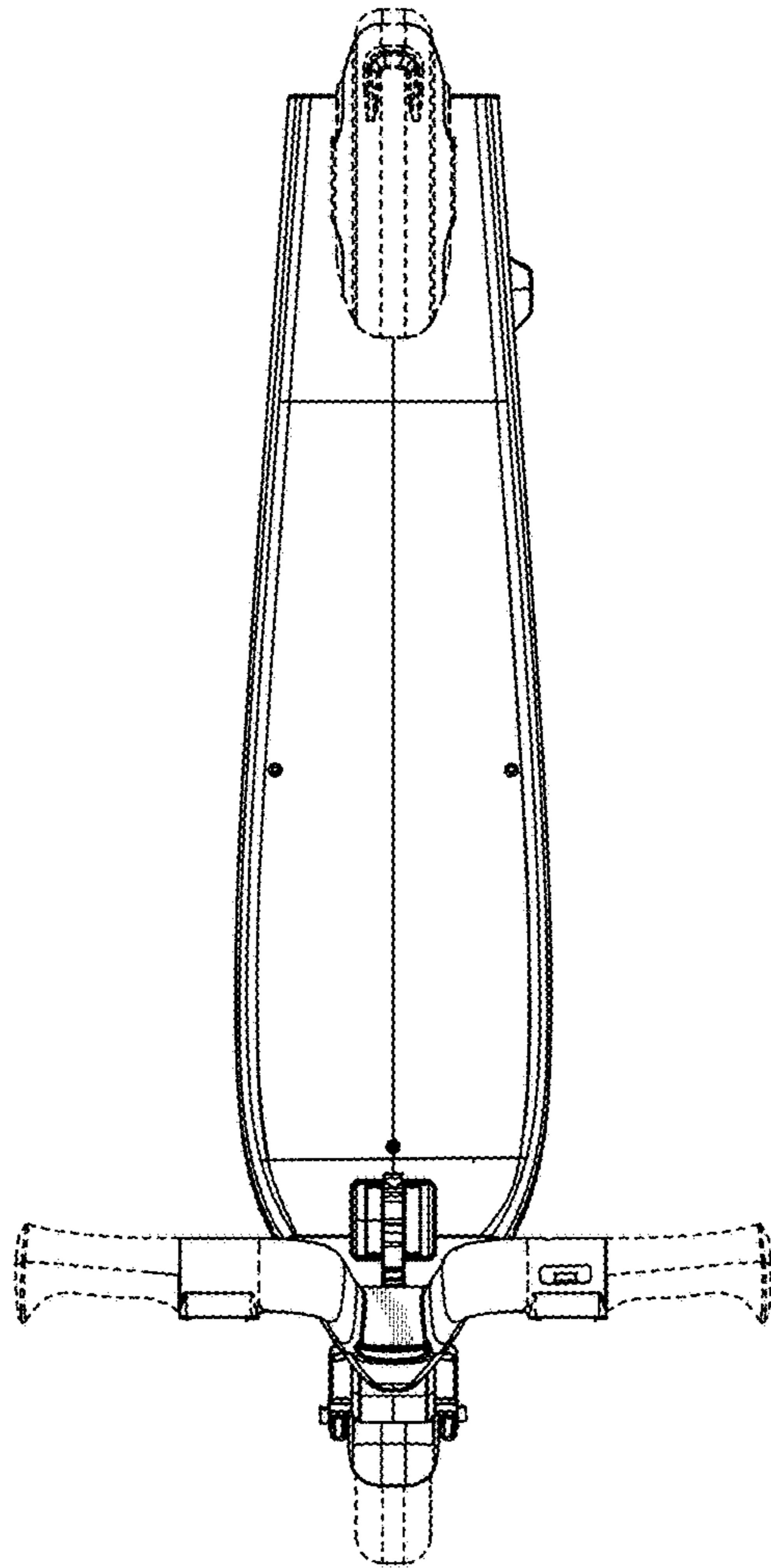


FIG. 5

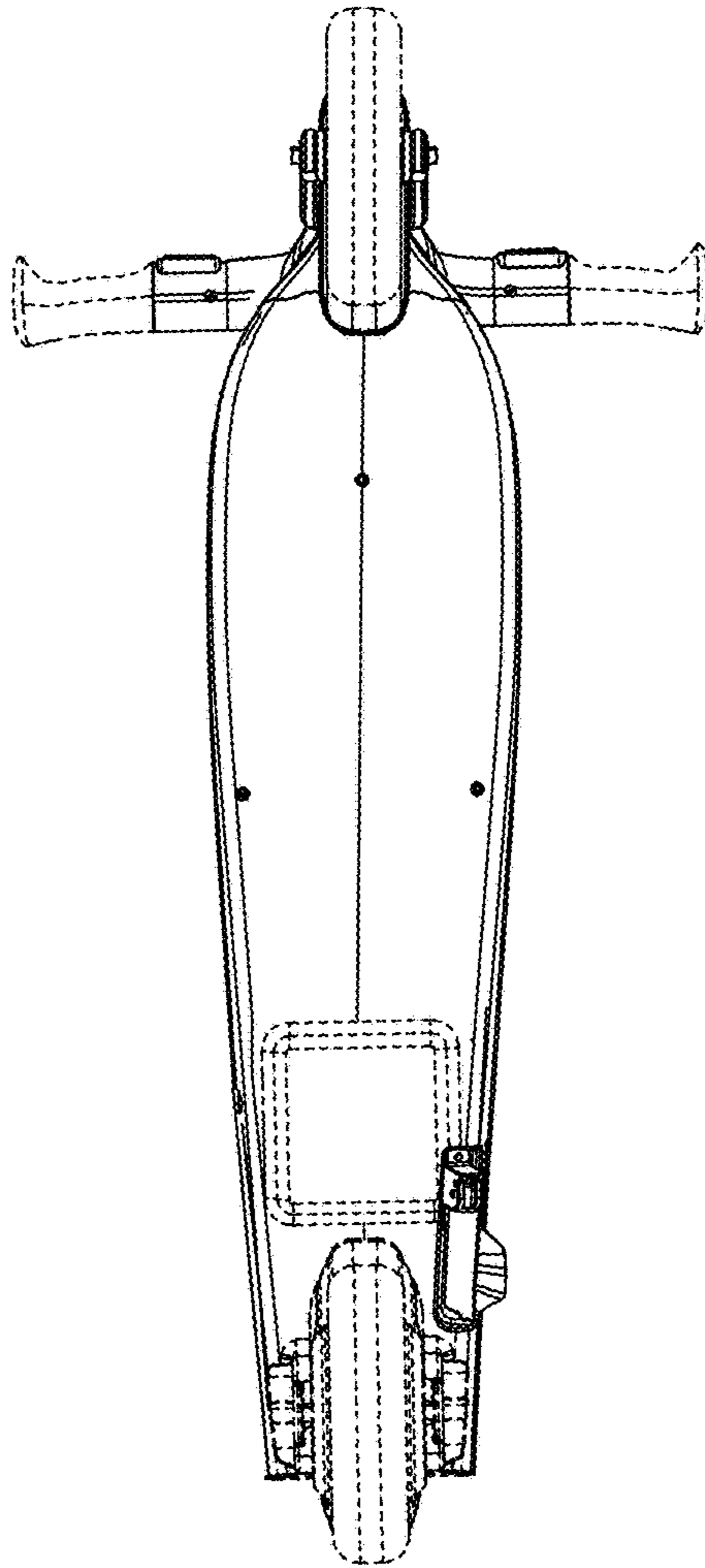


FIG. 6

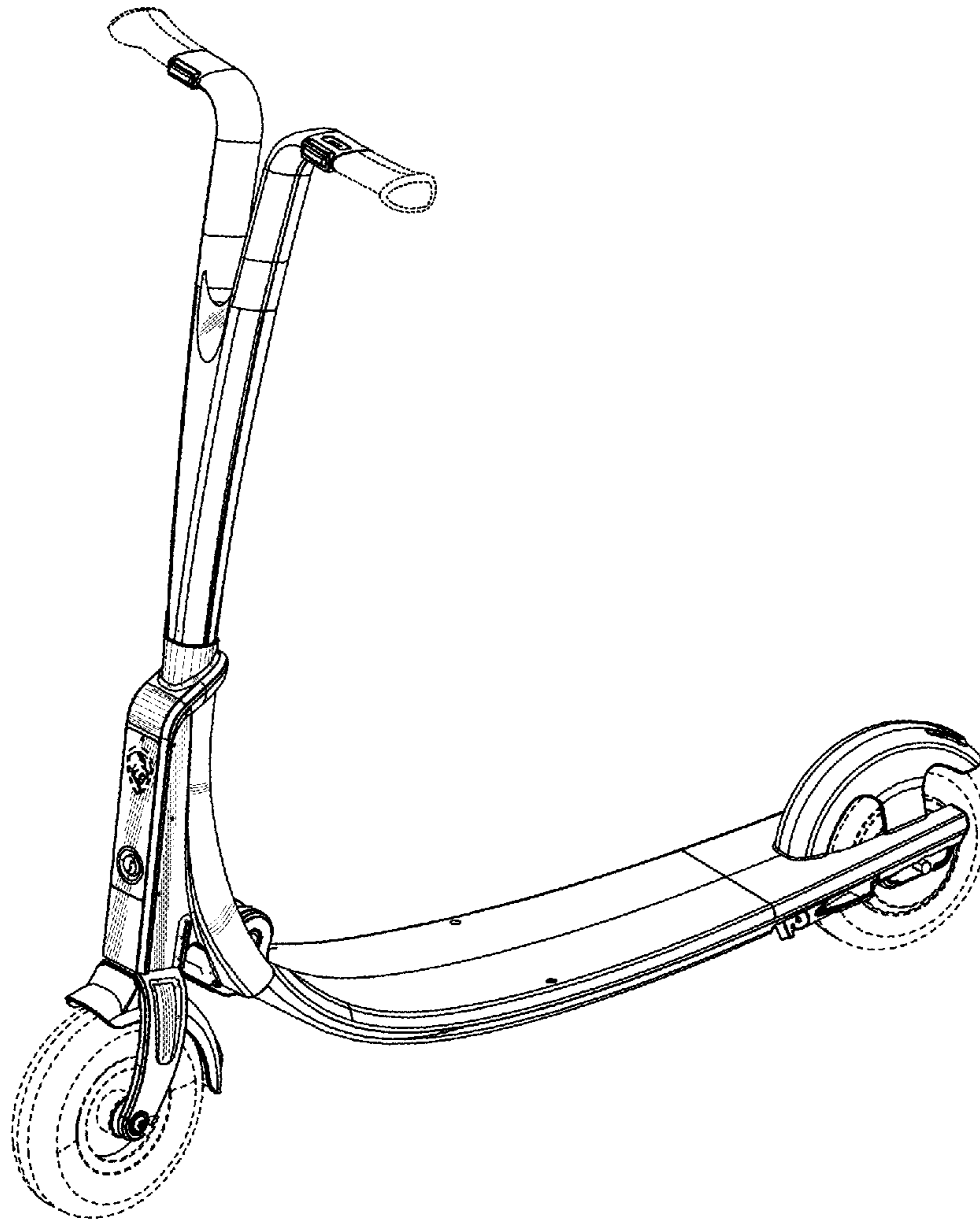


FIG. 7