



US00D841096S

(12) **United States Design Patent**  
**Boyer**

(10) **Patent No.:** **US D841,096 S**

(45) **Date of Patent:** **\*\* Feb. 19, 2019**

- (54) **TRIM STRIP FOR CHANNEL SIGNAGE**
- (71) Applicant: **SignComp, LLC**, Grand Rapids, MI (US)
- (72) Inventor: **Clyde H. Boyer**, Concord, OH (US)
- (73) Assignee: **SIGNCOMP, LLC**, Grand Rapids, MI (US)
- (\*\*) Term: **15 Years**
- (21) Appl. No.: **29/552,948**
- (22) Filed: **Jan. 27, 2016**

*Primary Examiner* — Mary Ann Calabrese  
*(74) Attorney, Agent, or Firm* — Gardner, Linn, Burkhardt & Ondersma LLP

(57) **CLAIM**

The ornamental design for a trim strip for channel signage, as shown and described.

**DESCRIPTION**

FIG. 1 is a rear perspective view of a trim strip for channel signage showing a first embodiment of my new design; FIG. 2 is a front perspective view of my design of FIG. 1; FIG. 3 is another front perspective view of my design of FIG. 1, shown mounted to a sign structure; FIG. 4 is a rear elevation of my design of FIG. 1; FIG. 5 is a front elevation of my design of FIG. 1; FIG. 6 is a right side elevation of my design of FIG. 1, wherein the left side elevation is a mirror image of FIG. 6; FIG. 7 is a top plan view of my design of FIG. 1; FIG. 8 is a bottom plan view of my design of FIG. 1; FIG. 9 is a rear perspective view of another trim strip for channel signage showing a second embodiment my new design; FIG. 10 is a front perspective view of my design of FIG. 9; FIG. 11 is another front perspective view of my design of FIG. 9, shown mounted to a sign structure; FIG. 12 is a front elevation of my design of FIG. 9; FIG. 13 is a rear elevation of my design of FIG. 9; FIG. 14 is a right side elevation of my design of FIG. 9, wherein the left side elevation is a mirror image of FIG. 14; FIG. 15 is a top plan view of my design of FIG. 9; and, FIG. 16 is a bottom plan view of my design of FIG. 9. The trim strip for channel signage is shown broken away in FIGS. 1-5, 7-13, 15 at areas designated with brackets. The appearance of any portion of the article between the break lines forms no part of the claimed design.

**Related U.S. Application Data**

- (63) Continuation-in-part of application No. 14/390,605, filed as application No. PCT/US2013/024748 on Feb. 5, 2013, now Pat. No. 9,261,121.
- (51) **LOC (11) Cl.** ..... **20-03**
- (52) **U.S. Cl.**  
USPC ..... **D20/44**
- (58) **Field of Classification Search**  
USPC ..... D20/10, 19, 43, 44, 99; D25/119, 121  
(Continued)

(56) **References Cited**

**U.S. PATENT DOCUMENTS**

- 1,697,501 A 1/1929 Gast
  - 1,721,918 A 7/1929 Meyercord
- (Continued)

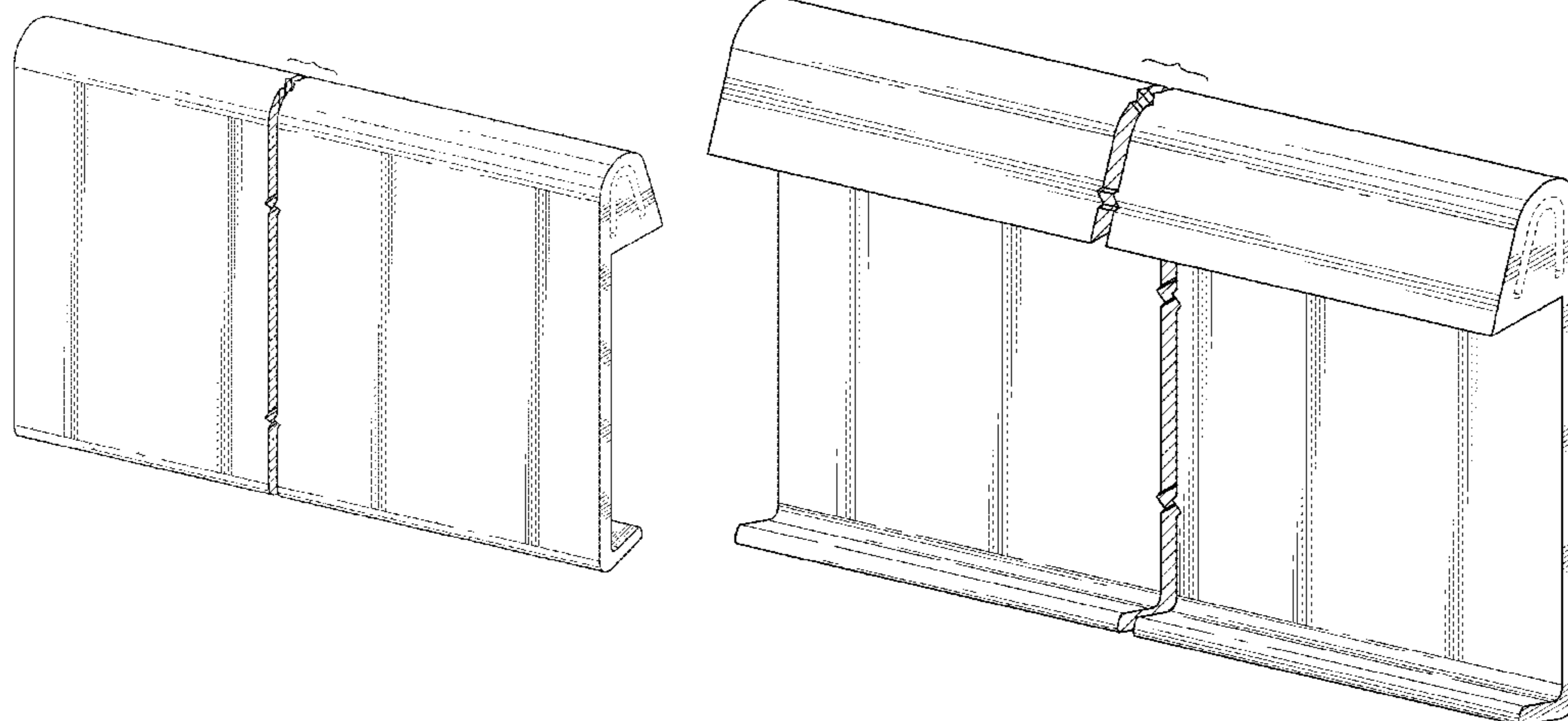
**FOREIGN PATENT DOCUMENTS**

- KR 1020110041077 4/2011
- WO 2006006823 1/2006

**OTHER PUBLICATIONS**

Photographs of JEWELITE—brand channel sign trim strip by Wagner Zip-Change, Inc.; believed to have been on sale prior to the earliest priority date of the present application.

**1 Claim, 10 Drawing Sheets**



# US D841,096 S

(58) **Field of Classification Search**  
 CPC ... G09F 1/10; G09F 1/103; G09F 1/12; G09F  
 3/18; G09F 3/185; G09F 3/20; G09F  
 3/201; A48G 1/065  
 See application file for complete search history.

D290,617 S \* 6/1987 Griffin ..... D19/113  
 4,796,170 A 1/1989 Pedersen et al.  
 5,189,822 A \* 3/1993 Schmanski ..... G09F 7/00  
 248/551  
 D393,045 S \* 3/1998 Hsu ..... D19/90  
 5,791,080 A \* 8/1998 Hamano ..... G09F 3/204  
 40/642.02

(56) **References Cited**

U.S. PATENT DOCUMENTS

2,141,995 A 12/1938 Lang  
 2,190,958 A \* 2/1940 Vander Clute ..... G09F 3/20  
 40/650  
 2,388,221 A \* 10/1945 Smith ..... G07D 9/004  
 150/150  
 2,921,393 A \* 1/1960 Wood ..... G09F 1/10  
 248/628  
 D202,759 S \* 11/1965 Fisher ..... D20/44  
 3,254,436 A 6/1966 Bank  
 3,579,886 A 5/1971 Hughes  
 3,760,552 A 9/1973 Skoetsch  
 3,977,112 A \* 8/1976 Breer, II ..... G09F 1/12  
 40/661  
 3,988,846 A 11/1976 Kuhling  
 4,024,658 A 5/1977 Hoerner  
 4,097,632 A 6/1978 Minogue et al.  
 4,545,140 A \* 10/1985 Winston ..... G09F 3/18  
 40/661

6,318,585 B1 11/2001 Asagiri et al.  
 D452,081 S \* 12/2001 Rowan ..... D6/300  
 6,478,686 B1 11/2002 Chen  
 6,481,132 B1 11/2002 Grate et al.  
 6,748,686 B2 6/2004 Grate et al.  
 7,096,638 B2 8/2006 Osterland et al.  
 7,181,875 B2 2/2007 Lewis  
 D552,687 S \* 10/2007 Smalley ..... D20/44  
 7,427,088 B1 9/2008 Annerino et al.  
 D630,683 S \* 1/2011 Vrotsos ..... D19/78  
 8,424,230 B2 4/2013 Bayer  
 8,434,251 B2 5/2013 Lee et al.  
 8,484,871 B2 7/2013 Bayer  
 8,701,319 B2 4/2014 Bayer  
 8,756,841 B2 6/2014 Bayer  
 9,126,252 B2 \* 9/2015 Lim ..... B21D 11/08  
 2002/0104241 A1 8/2002 Grate et al.  
 2009/0145011 A1 6/2009 Walton  
 2015/0052711 A1 2/2015 Bayer  
 2017/0178551 A1 \* 6/2017 Boyer ..... G09F 13/06

\* cited by examiner

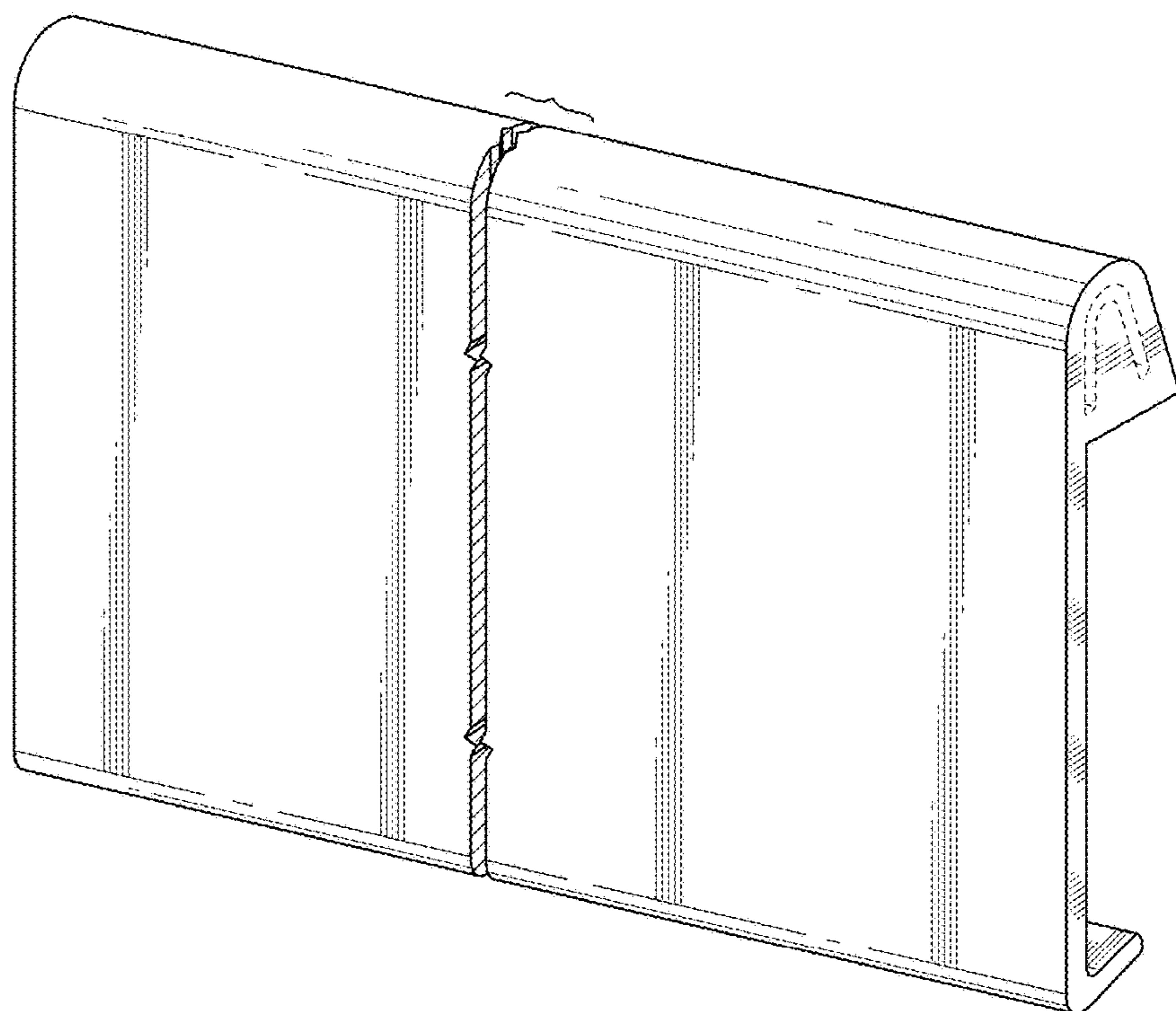


FIG. 1

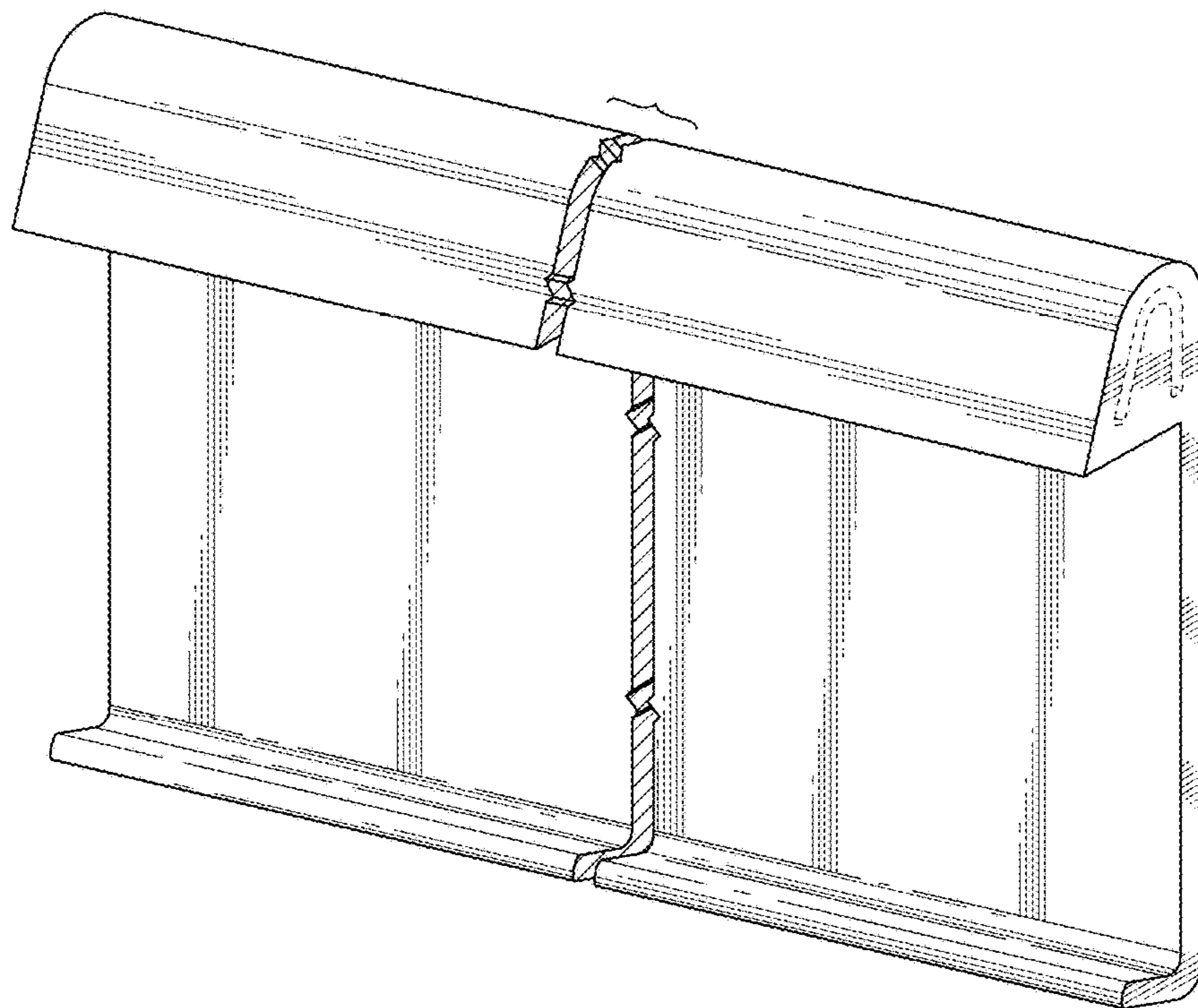


FIG. 2

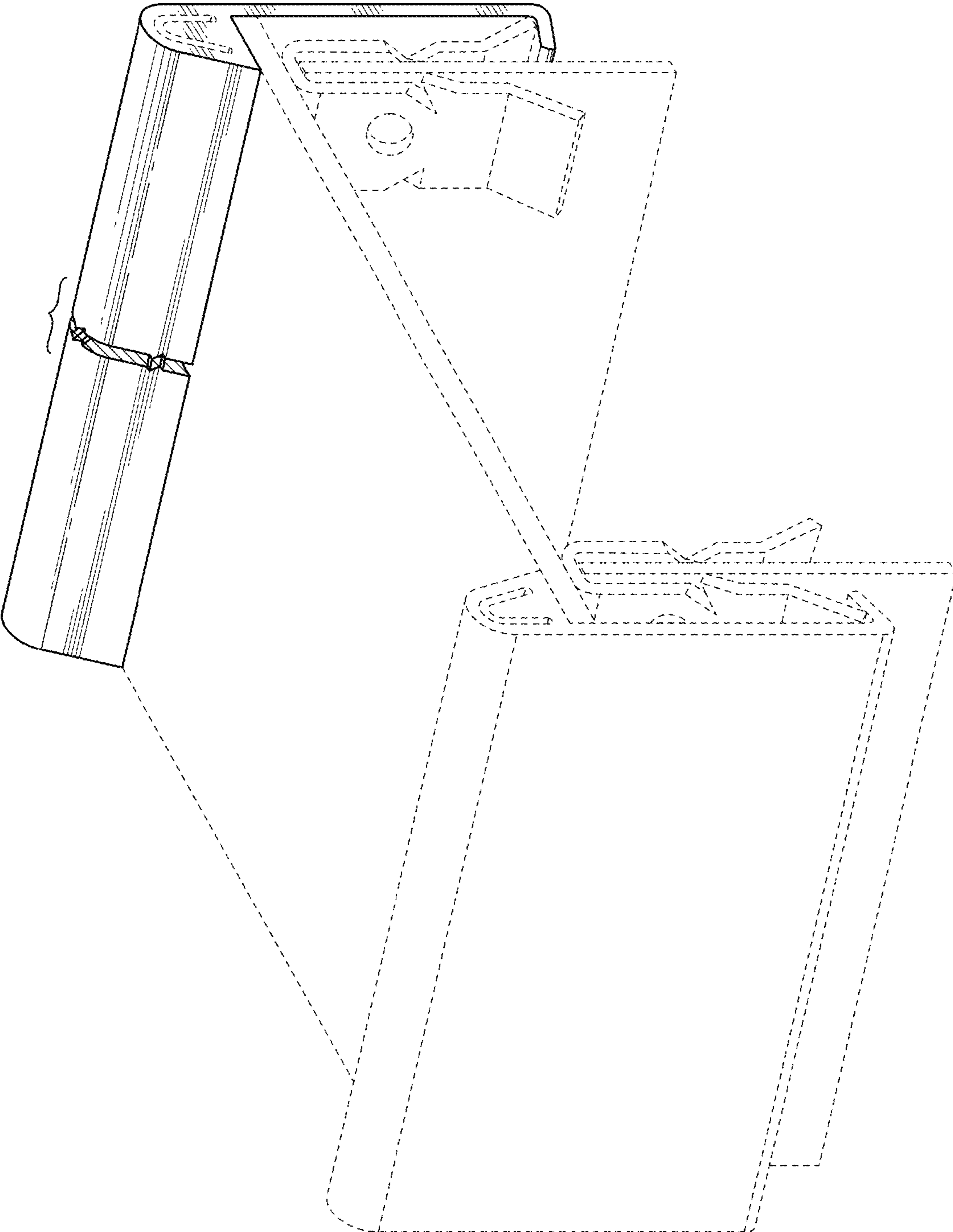


FIG. 3

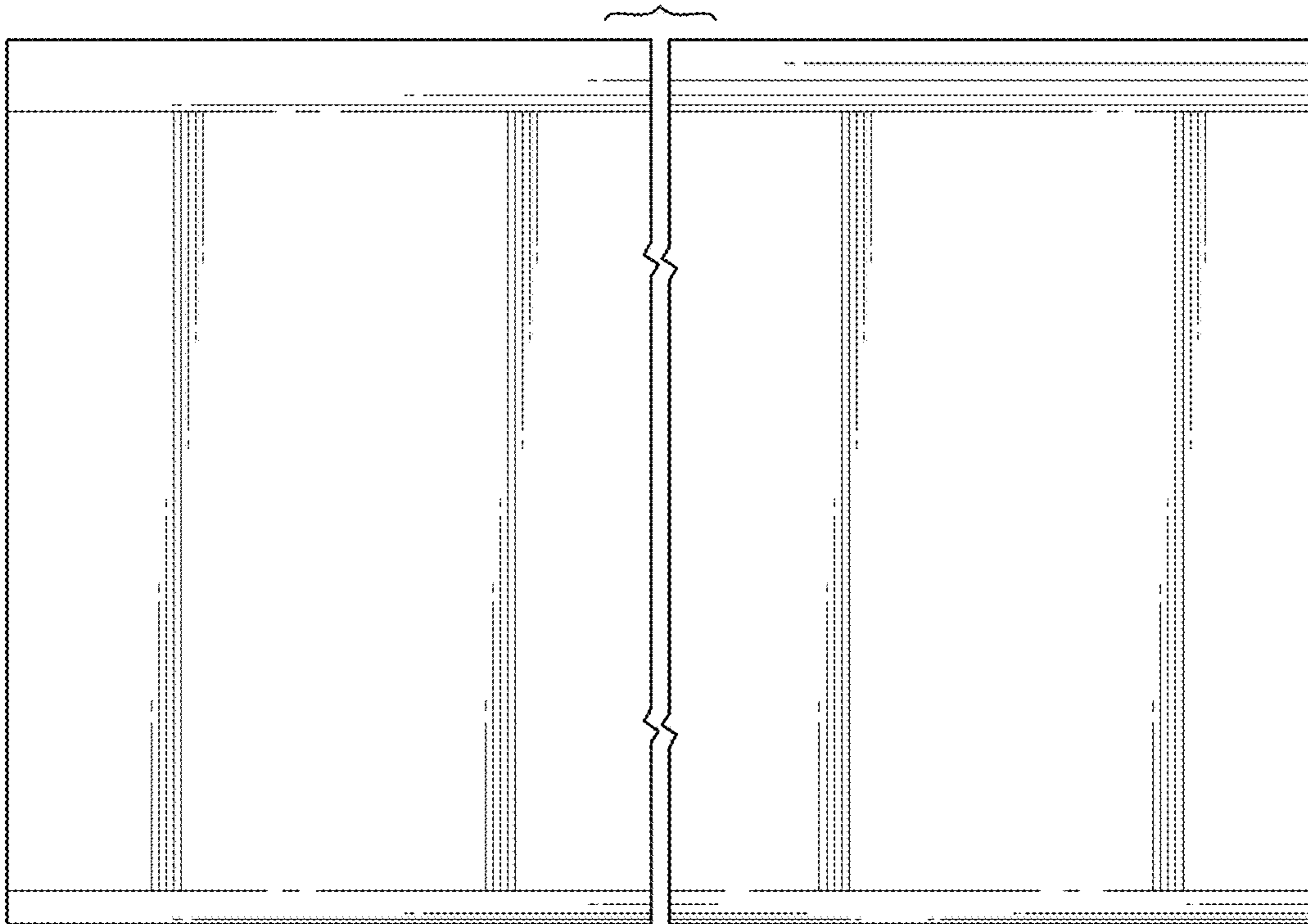


FIG. 4

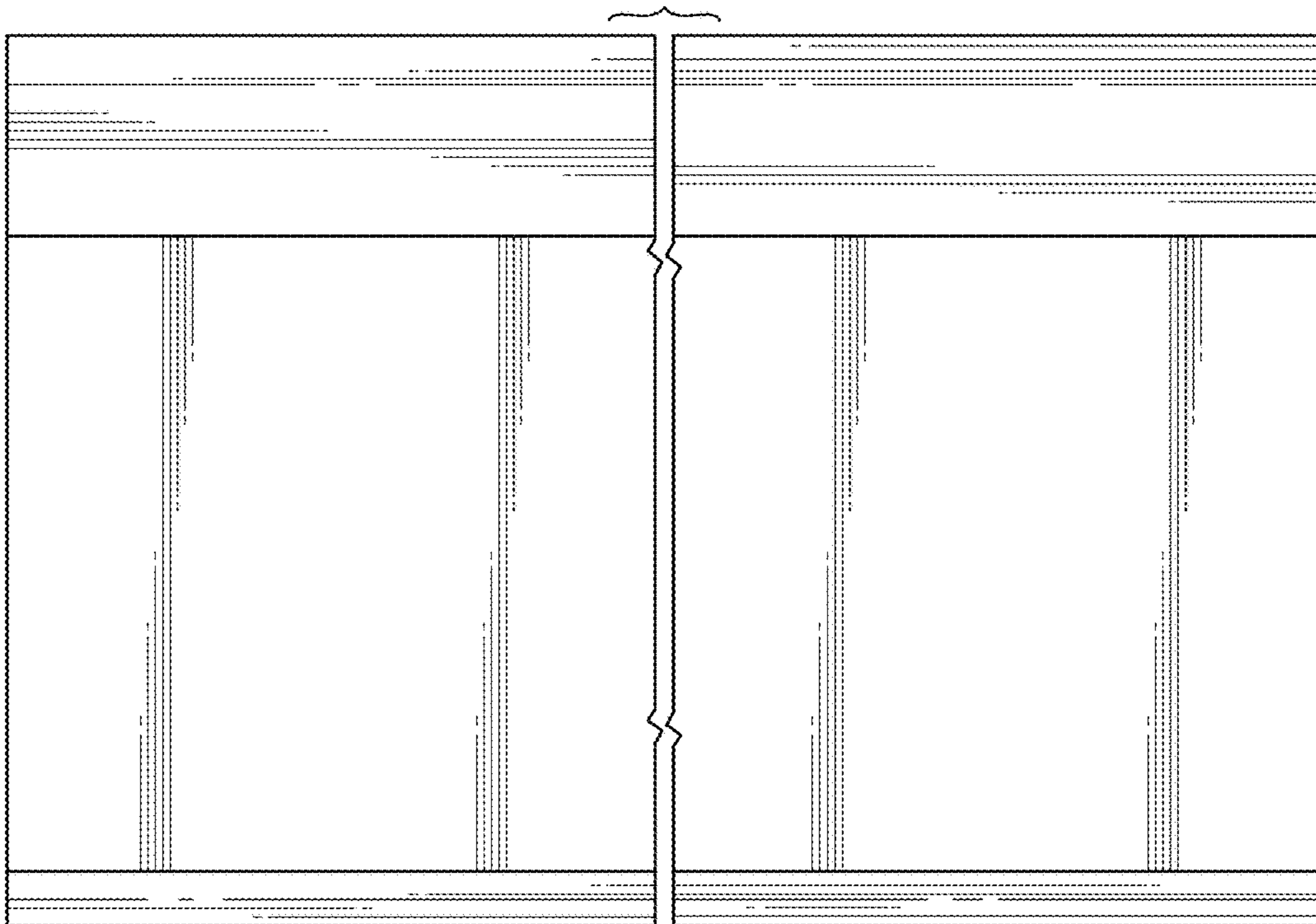


FIG. 5

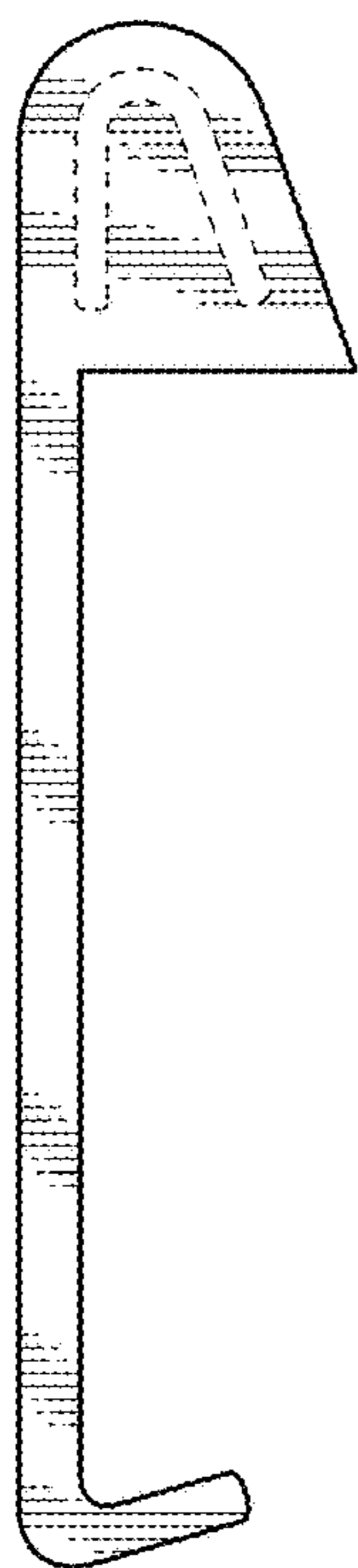


FIG. 6

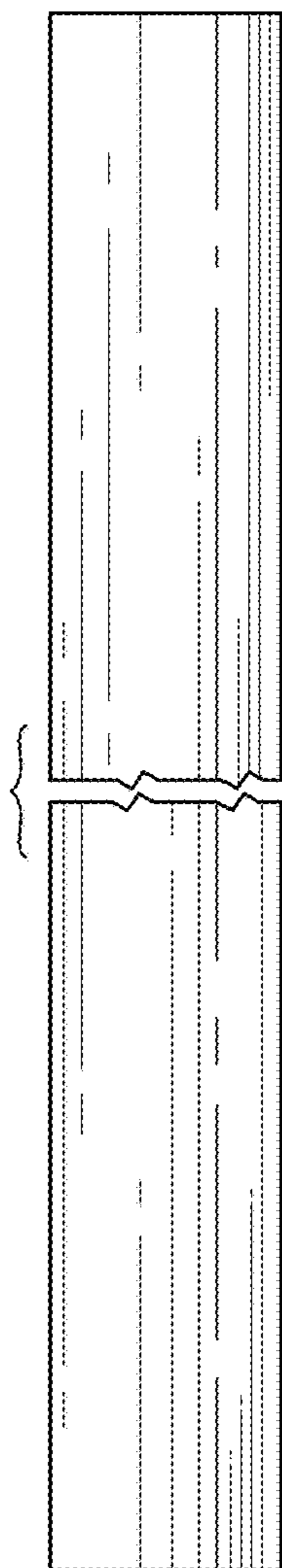


FIG. 7

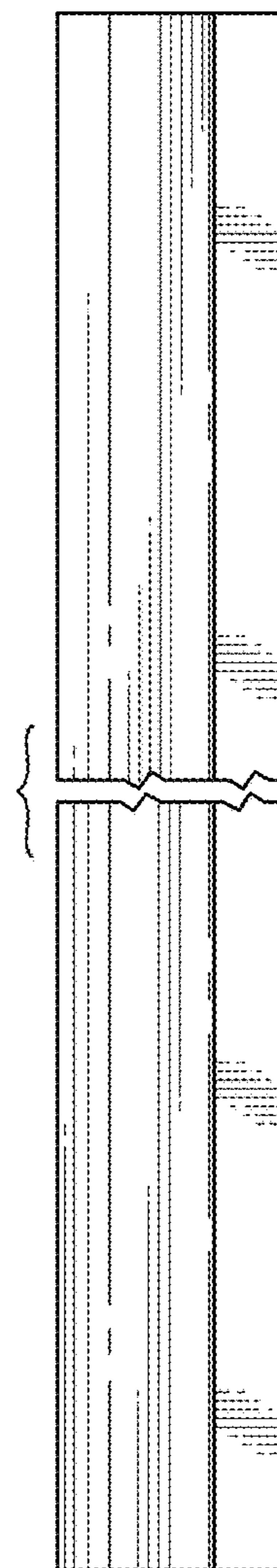


FIG. 8

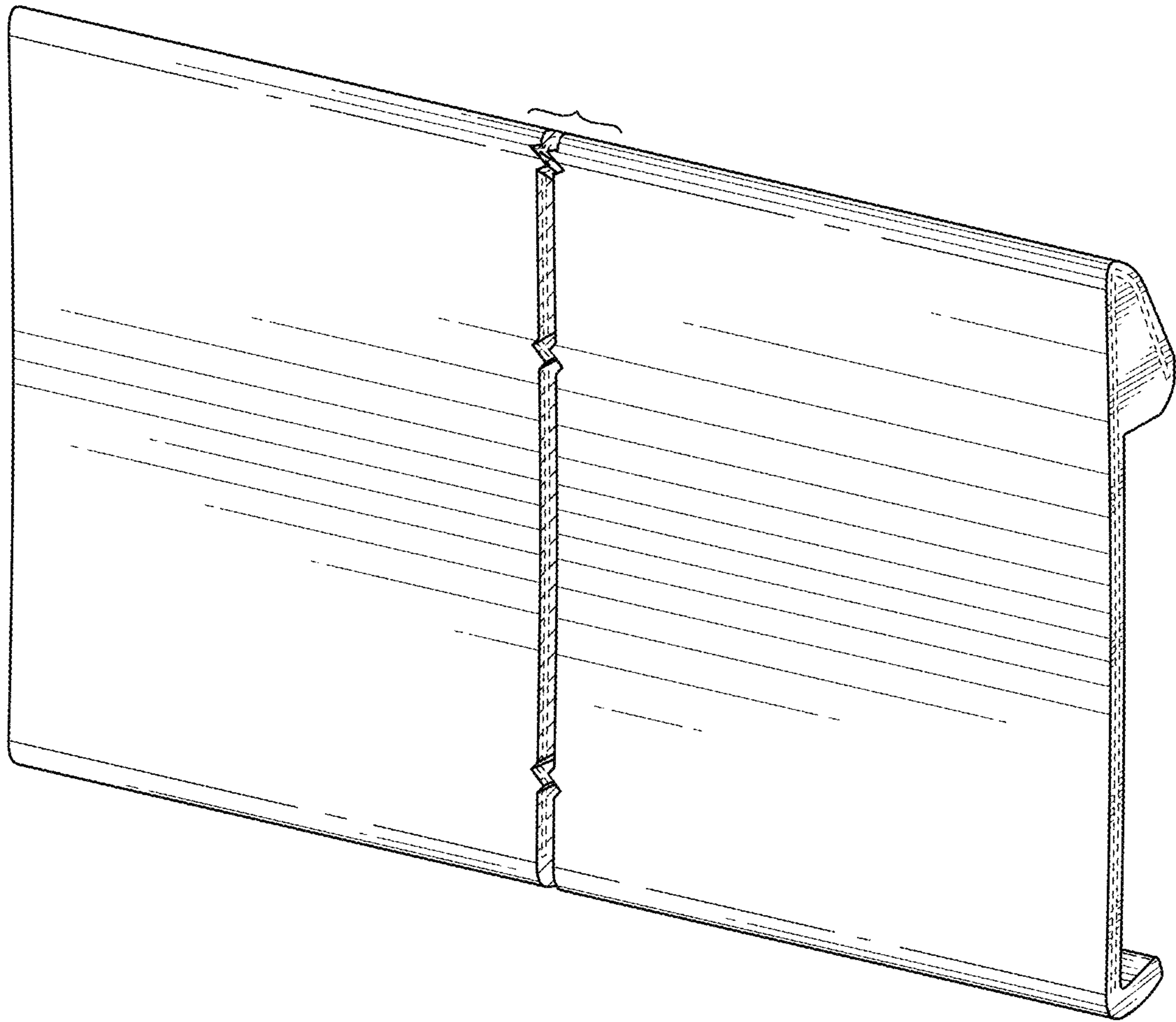


FIG. 9



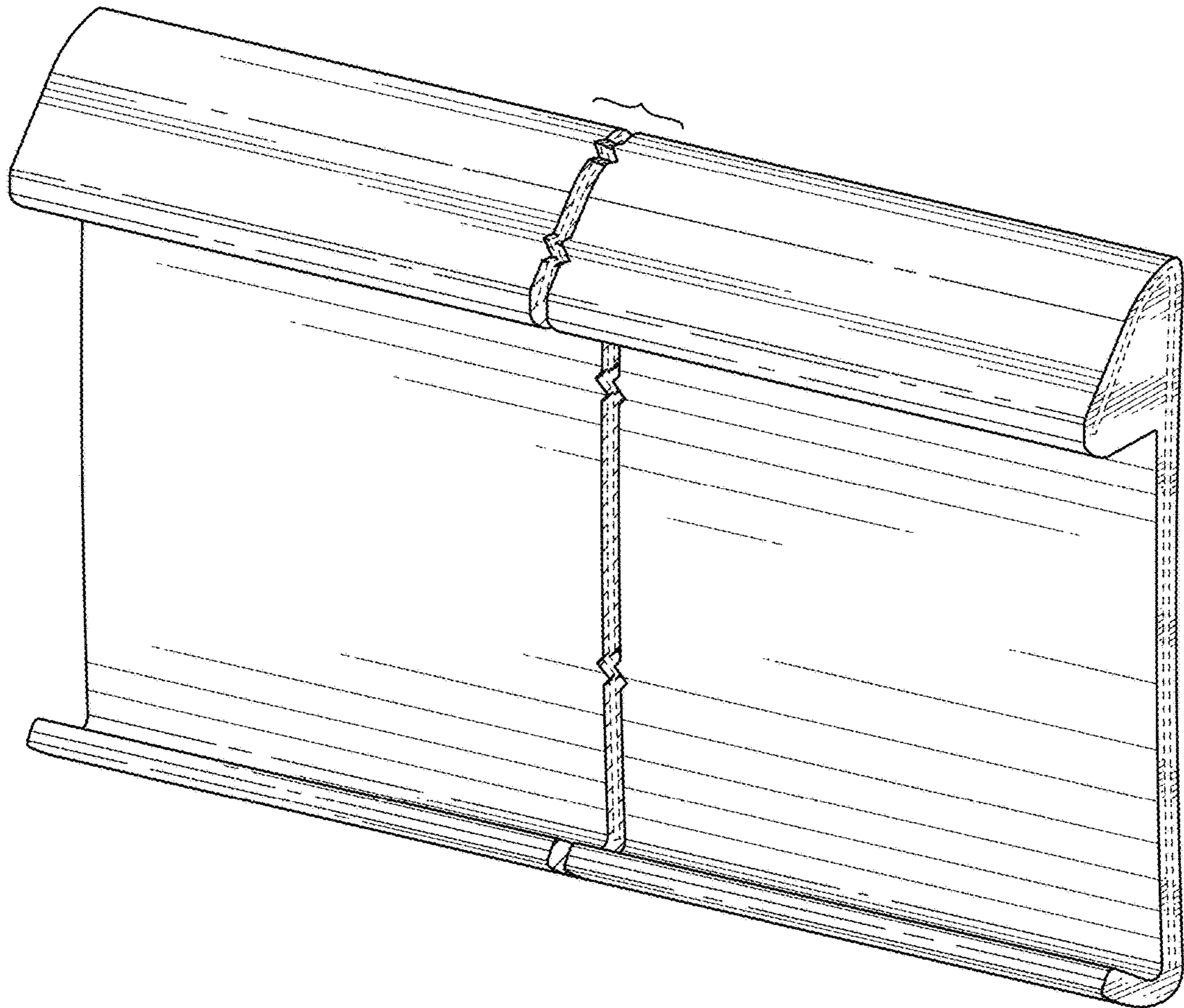


FIG. 10

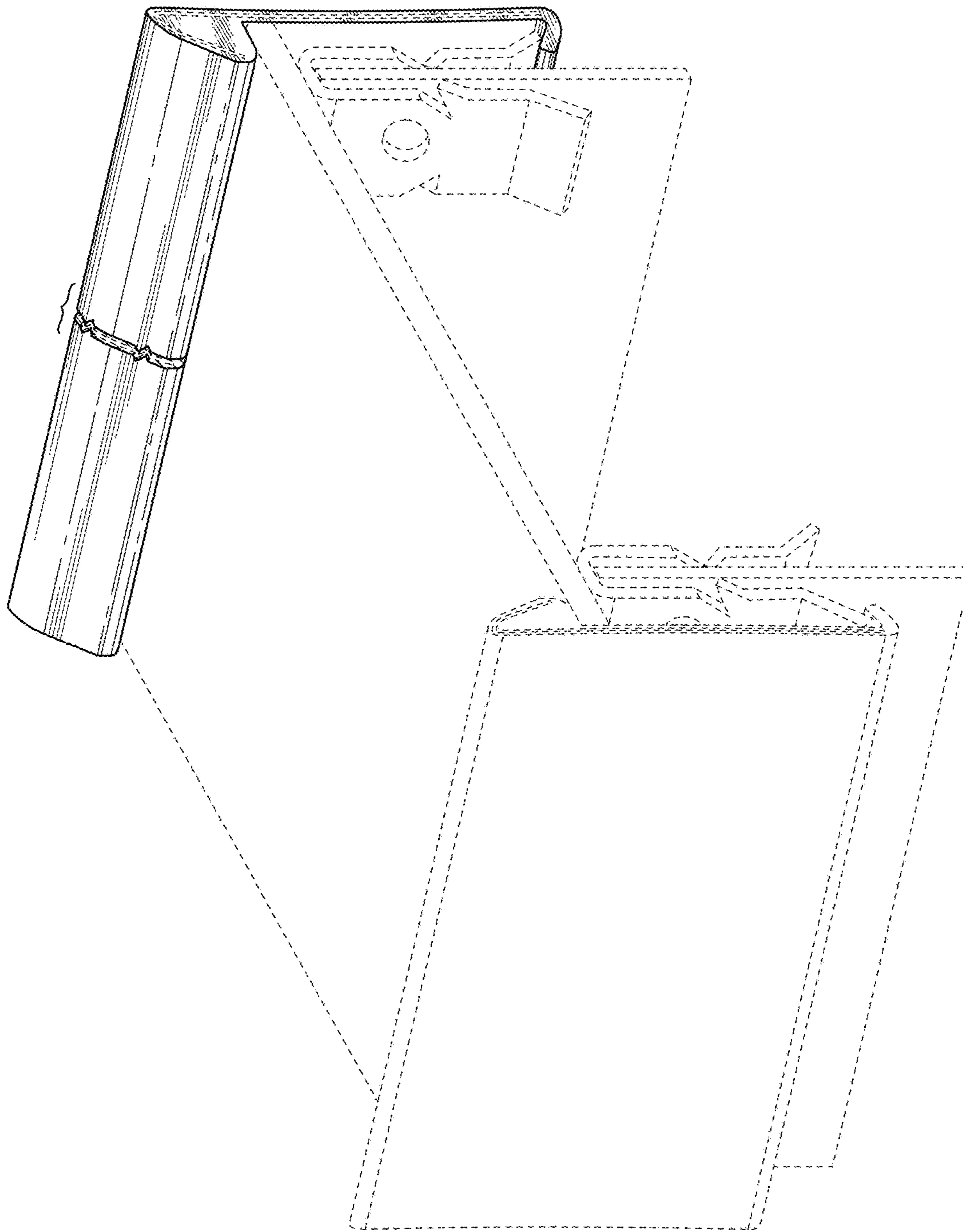


FIG. 11



FIG. 12

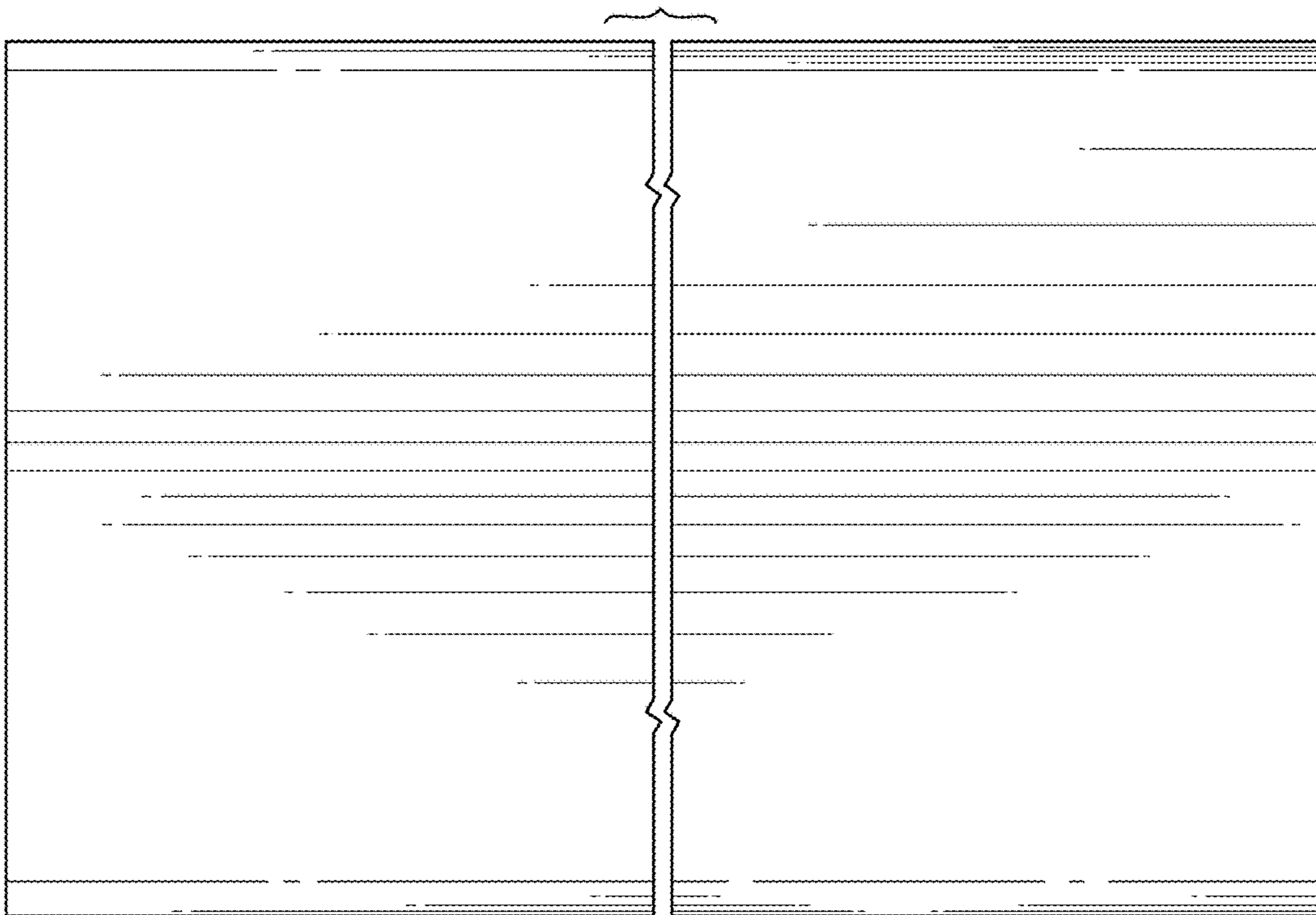


FIG. 13

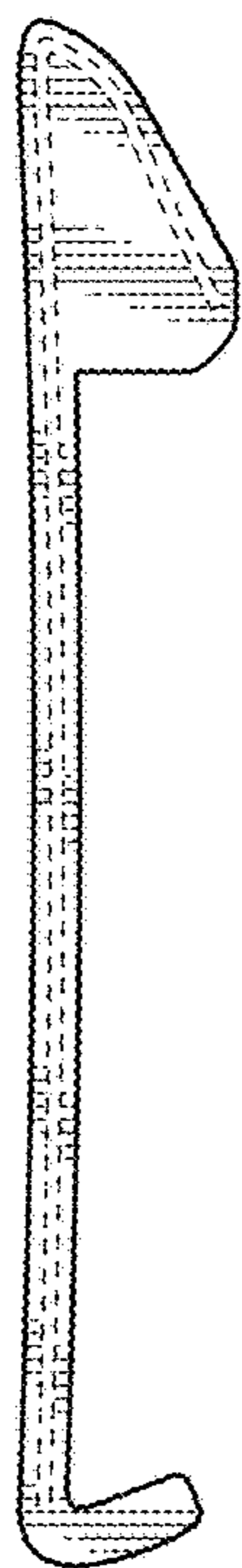


FIG. 14



FIG. 15



FIG. 16