



US00D841095S

(12) **United States Design Patent** (10) **Patent No.:** **US D841,095 S**
Pickrell (45) **Date of Patent:** **** Feb. 19, 2019**

(54) **CUSTOMIZABLE SIGNAGE**
(71) Applicant: **Bryon Pickrell**, Riverside, CA (US)
(72) Inventor: **Bryon Pickrell**, Riverside, CA (US)
(**) Term: **15 Years**
(21) Appl. No.: **29/610,285**
(22) Filed: **Jul. 11, 2017**

(51) **LOC (11) Cl.** **20-03**
(52) **U.S. Cl.**
USPC **D20/43; D20/42**
(58) **Field of Classification Search**
USPC ... D20/10, 11, 22-25, 27-29, 31, 39-43, 99
CPC .. G09F 21/026; G09F 2021/023; G09F 21/02;
G09F 2003/0208; G09F 2003/0264; G09F
7/00; G09F 3/206; G09F 13/00; G09F
2007/1807; G09F 13/04; G09F
2013/0427; G09F 2013/0495; G09F 1/00;
G09F 1/02; G09F 2003/023; G09F
2003/0261; G09D 3/00
See application file for complete search history.

(56) **References Cited**

U.S. PATENT DOCUMENTS

D26,318 S * 11/1896 Hutchinson D19/59
4,357,773 A 11/1982 Dennis
4,679,341 A * 7/1987 Goldman G09F 7/10
40/490
D310,388 S 9/1990 Crawford et al.
5,012,603 A 5/1991 Elcock
6,076,295 A * 6/2000 Garfinkle G09F 7/18
40/605
6,438,880 B2 8/2002 Dundorf
D475,090 S * 5/2003 Mitchell D20/41
7,055,275 B1 * 6/2006 Teza A47G 1/065
40/674
7,308,769 B2 * 12/2007 Labeledz G09F 7/02
40/568

7,412,791 B2 8/2008 Bradley et al.
7,823,308 B1 * 11/2010 Munson H05K 7/183
345/1.1
D647,971 S * 11/2011 Browne D20/10
D704,269 S 5/2014 Logan et al.
8,720,090 B1 5/2014 Lehrkamp
D719,612 S 12/2014 Aleman
D766,373 S * 9/2016 Schwartz D20/43
D767,680 S 9/2016 Maman et al.
D797,193 S * 9/2017 Csenar D20/27
D808,463 S * 1/2018 Easton D20/27

(Continued)

Primary Examiner — Mary Ann Calabrese
Assistant Examiner — Sloan Rozin
(74) *Attorney, Agent, or Firm* — Kirk A. Buhler; Buhler
& Associates

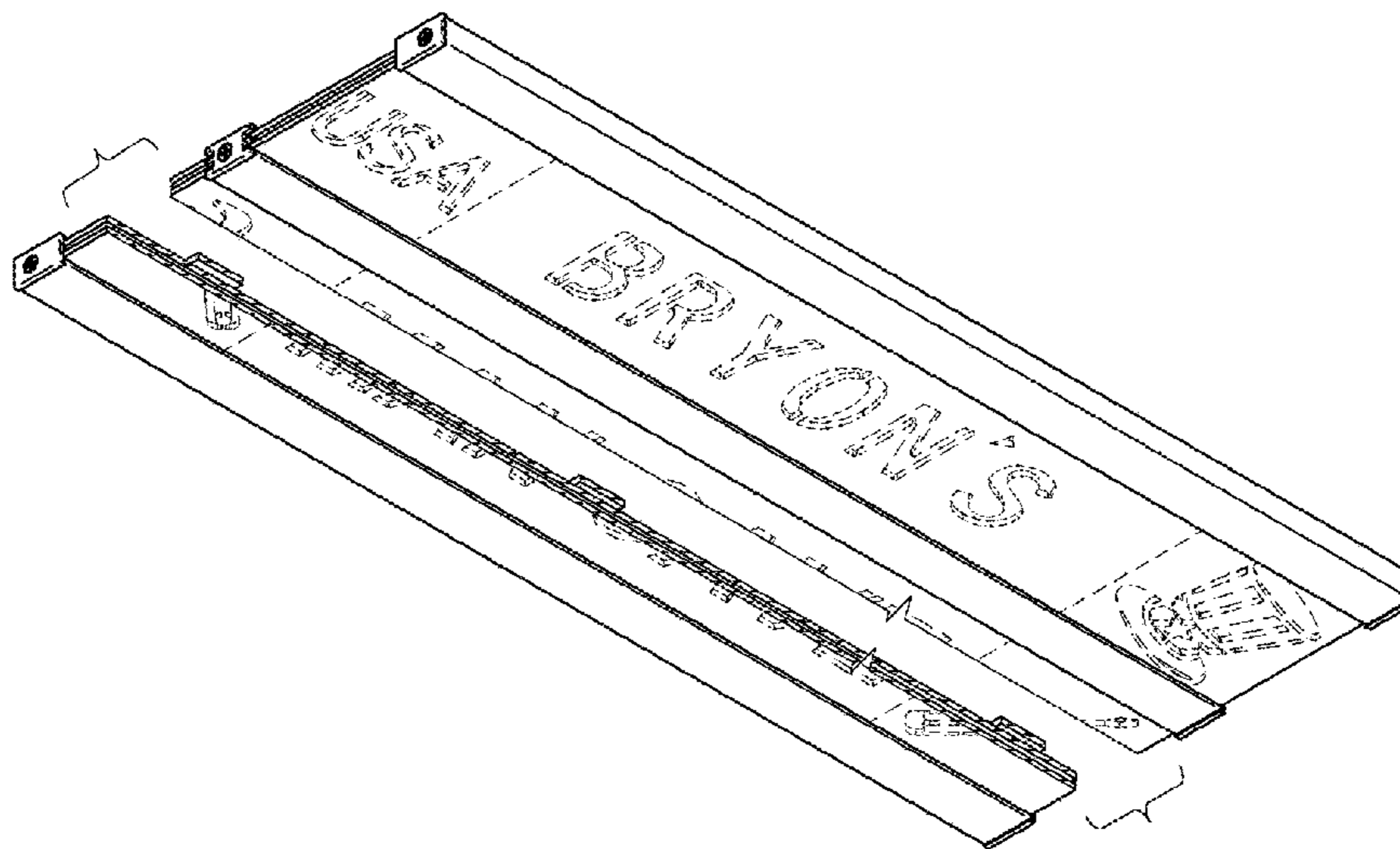
(57) **CLAIM**

The ornamental design for customizable signage, as shown
and described.

DESCRIPTION

FIG. 1 is a top perspective view of customizable signage
showing my new design;
FIG. 2 is a front elevation view thereof;
FIG. 3 is a top plan view thereof;
FIG. 4 is a rear elevation view thereof;
FIG. 5 is a bottom plan view thereof;
FIG. 6 is a rear perspective view thereof; and,
FIG. 7 is a right-side elevation view, the left side elevation
view being a mirror image thereof.
The appearance of any portion of the article between the
break lines forms no part of the claimed design. The
customizable signage is shown with symbolic breaks in
length. The appearance of any portion of the article between
the break lines forms no part of the claimed design.
The broken line showing of elements in the customizable
signage illustrate portions of the article and form no part of
the claimed design.

1 Claim, 4 Drawing Sheets



(56)

References Cited

U.S. PATENT DOCUMENTS

D818,539 S * 5/2018 Day, Sr. D20/10
D822,113 S * 7/2018 Deng D20/10
2002/0026737 A1 3/2002 Tramont
2006/0260167 A1 11/2006 Harkins
2014/0109448 A1* 4/2014 Lehrkamp G09F 15/0012
40/606.09

* cited by examiner

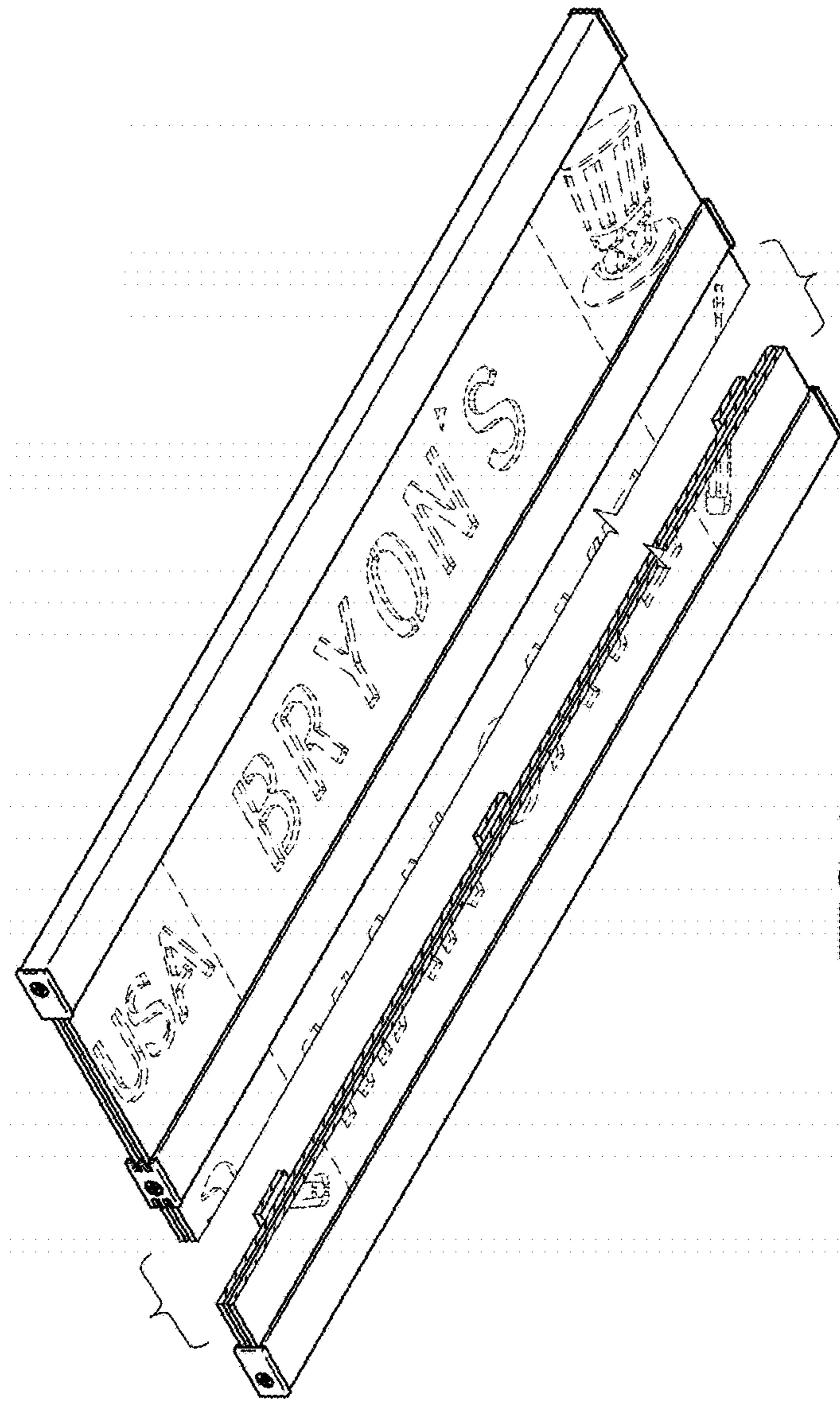


FIG. 1

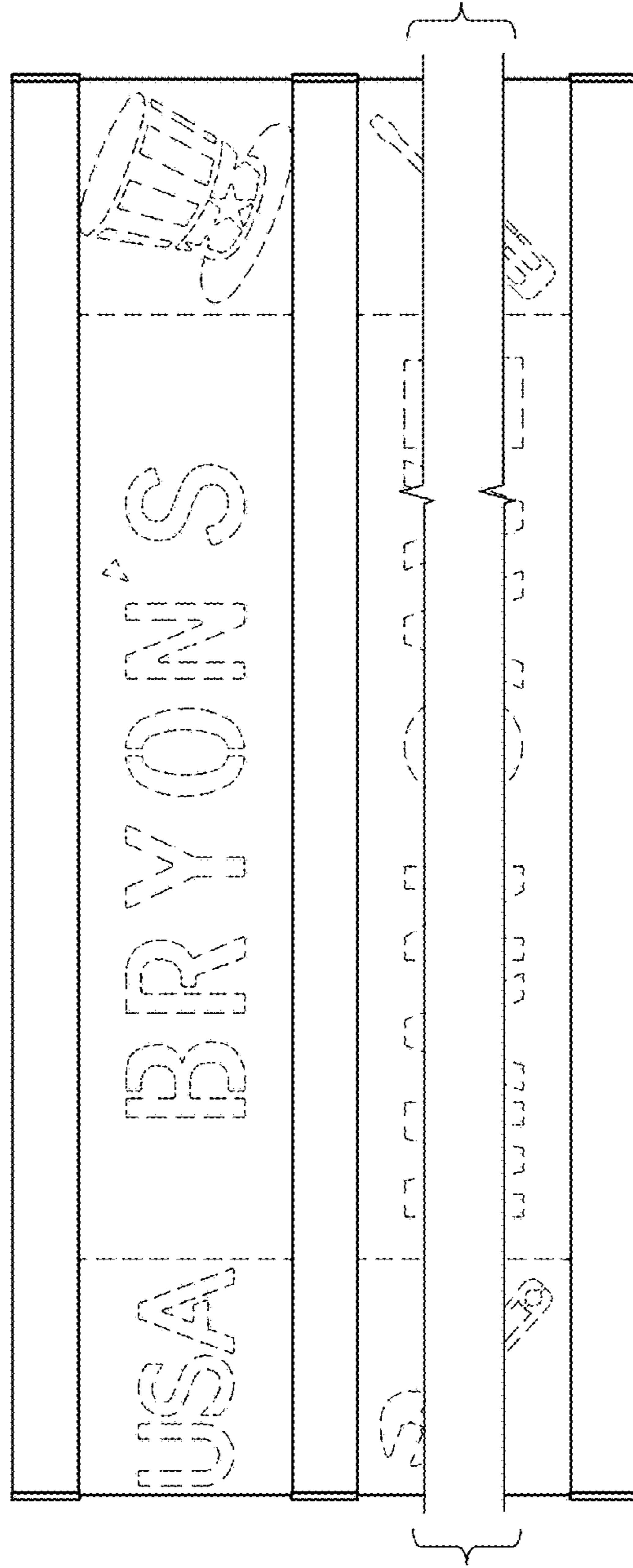


FIG. 2

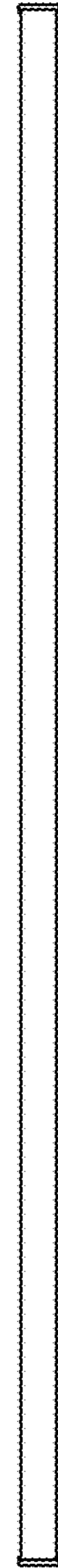


FIG. 3

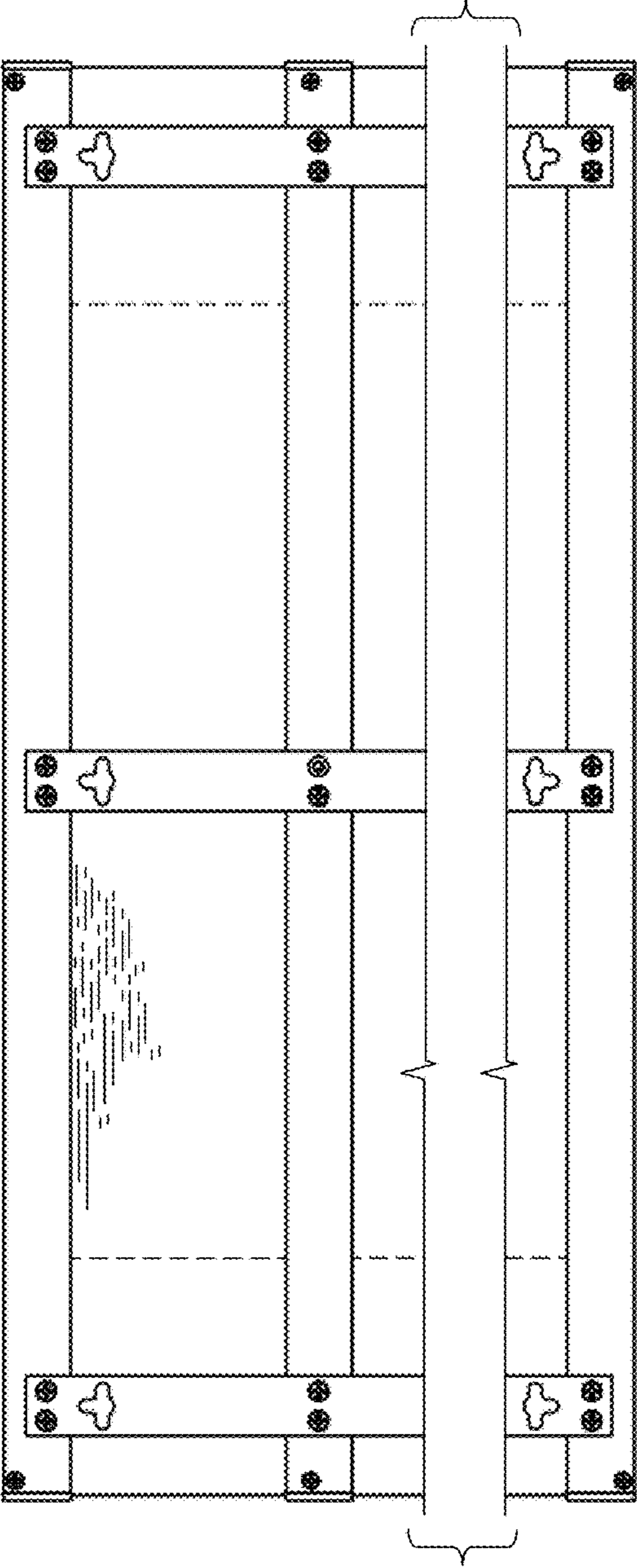


FIG. 4



FIG. 5

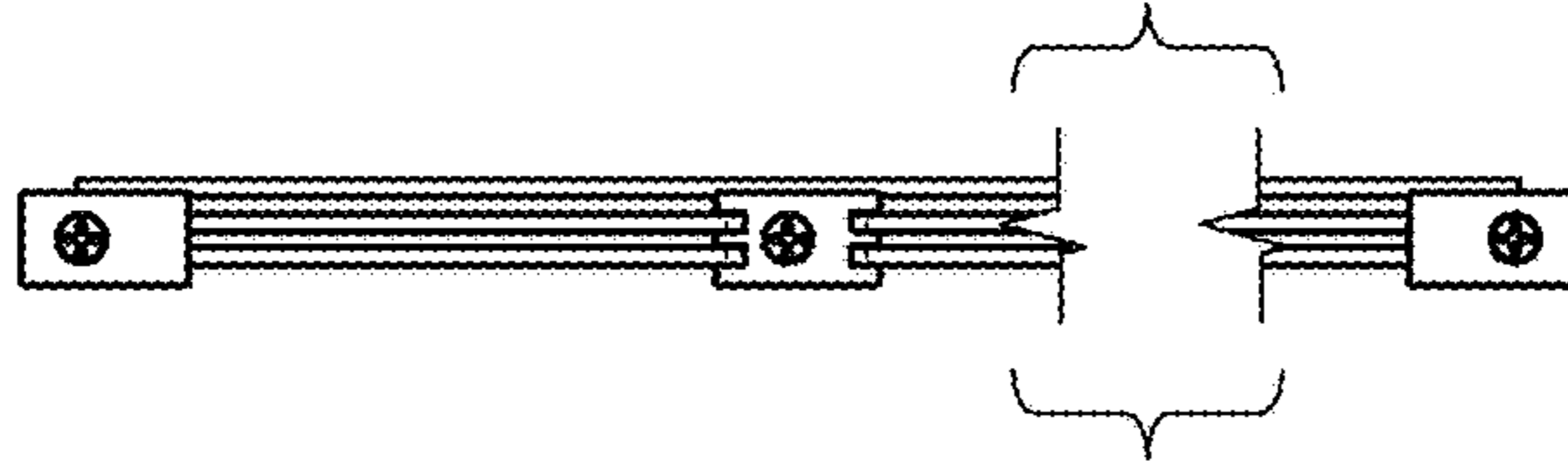


FIG 7

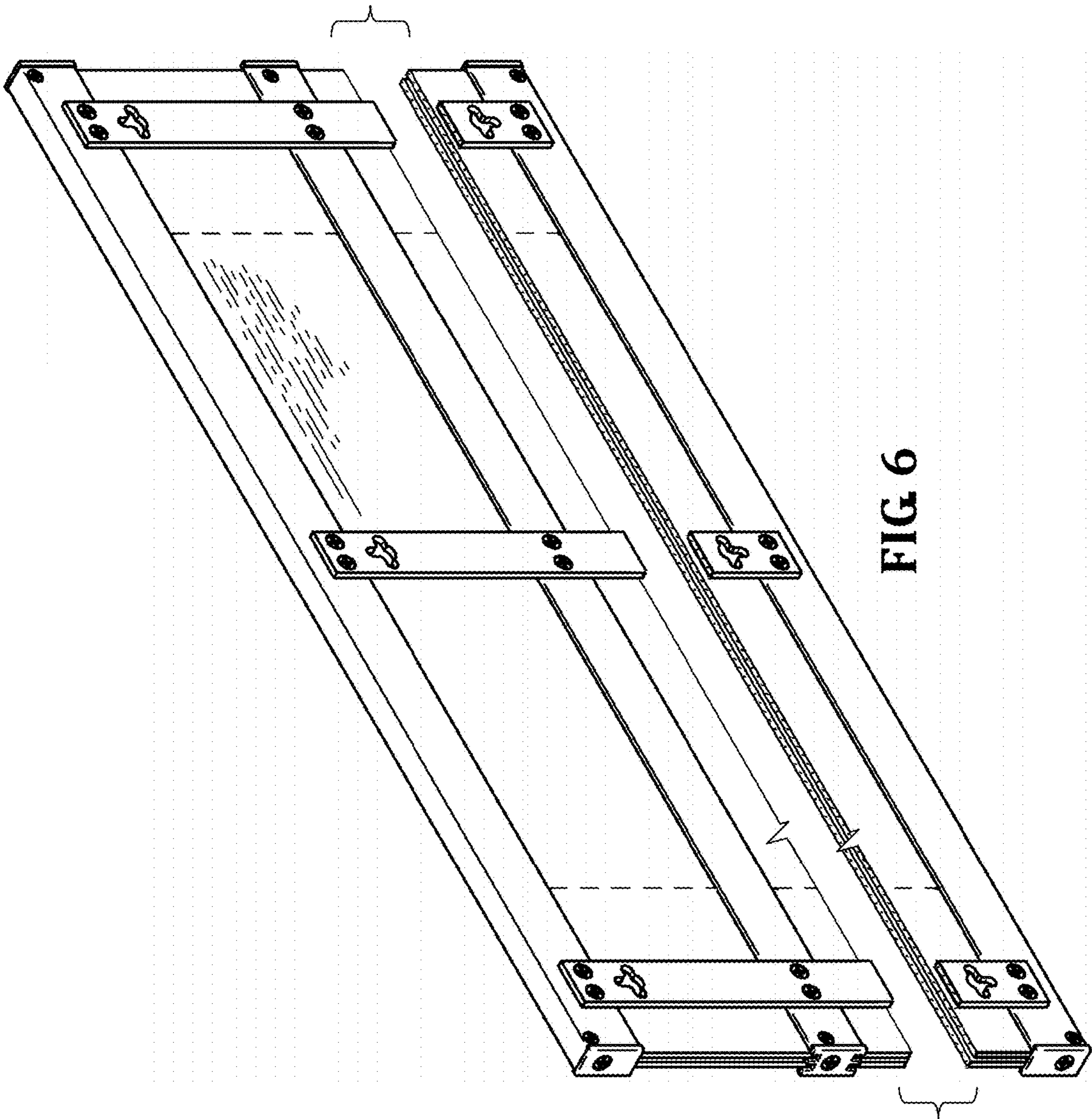


FIG 6