



US00D841091S

(12) **United States Design Patent** (10) **Patent No.:** **US D841,091 S**
Tuang (45) **Date of Patent:** **** Feb. 19, 2019**

- (54) **SHELF ORGANIZER**
- (71) Applicant: **EP Family Corp.**, Walnut, CA (US)
- (72) Inventor: **Bao-Yi Tuang**, Walnut, CA (US)
- (**) Term: **15 Years**
- (21) Appl. No.: **29/621,258**
- (22) Filed: **Oct. 5, 2017**
- (51) **LOC (11) Cl.** **19-02**
- (52) **U.S. Cl.**
USPC **D19/92**
- (58) **Field of Classification Search**
USPC D19/75, 76, 77, 78, 84, 85, 86, 89, 90,
D19/91, 92; D3/206, 227, 299, 315;
D6/634, 675.1; D9/734
CPC .. B43M 99/00; B43M 99/001; B43M 99/003;
B43M 99/006; B43M 99/008; B42D
5/005; B42D 5/008
See application file for complete search history.

D557,267 S *	12/2007	Beilstein	D14/447
D574,005 S *	7/2008	Chung	D14/447
D579,691 S *	11/2008	Snider	D6/675.2
D637,600 S *	5/2011	Leyva-Menendez	D14/447
D669,540 S *	10/2012	Hu	D19/92
D690,769 S *	10/2013	Hu	D19/92
D717,371 S *	11/2014	Tsai	D19/90
D719,610 S *	12/2014	Tsai	D19/90
9,050,848 B2 *	6/2015	Tsai	B42F 7/10
D756,458 S *	5/2016	Tsai	D19/90
D757,176 S *	5/2016	Tsai	D19/92
D758,488 S *	6/2016	Tsai	D19/92
D776,196 S *	1/2017	Tsai	D19/90
D780,262 S *	2/2017	Tsai	D19/90
9,782,996 B1 *	10/2017	Kuo	B42F 7/12

* cited by examiner

Primary Examiner — Elizabeth A. Albert
(74) *Attorney, Agent, or Firm* — Tommy SF Wang; Wang IP Law Group, P.C.

(57) **CLAIM**

The ornamental design for a shelf organizer, as shown and described.

(56) **References Cited**

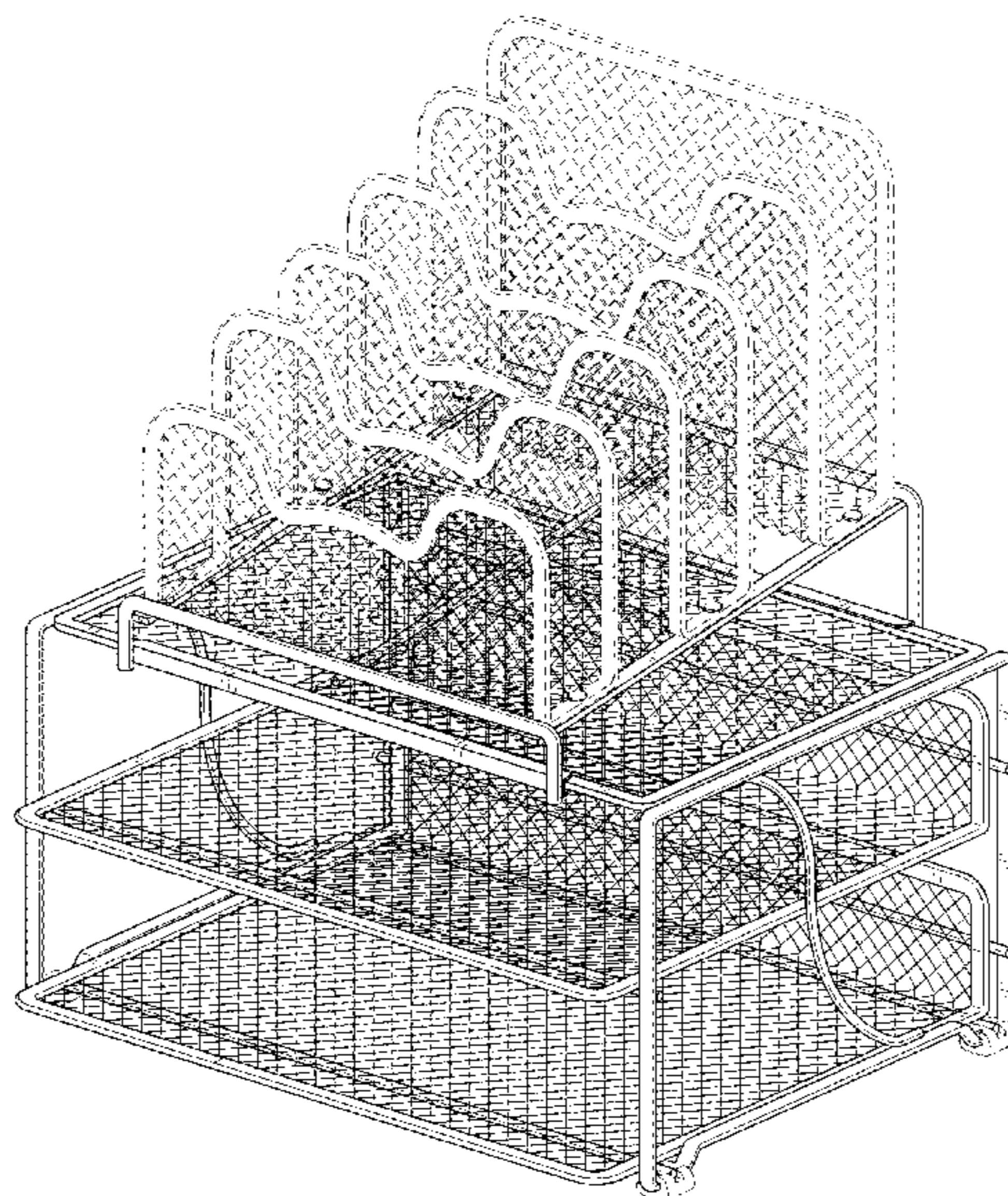
U.S. PATENT DOCUMENTS

451,729 A *	5/1891	Dom	B42F 17/12
				211/11
D29,933 S *	1/1899	Hodge	D15/147
2,793,760 A *	5/1957	Zel	A47F 5/13
				211/130.1
D189,356 S *	11/1960	Kolkey	D6/678.4
3,269,547 A *	8/1966	Chamberlin	A47B 57/58
				108/60
D221,703 S *	8/1971	Fleming	D19/90
D237,849 S *	12/1975	Hale	D6/678.3
D454,912 S *	3/2002	Cheris	D19/90
D454,913 S *	3/2002	Cheris	D19/92
D455,459 S *	4/2002	Cheris	D19/90
D455,460 S *	4/2002	Cheris	D19/92

DESCRIPTION

FIG. 1 is a perspective view of a shelf organizer showing my new design;
FIG. 2 is a front view thereof;
FIG. 3 is a rear view thereof;
FIG. 4 is a left side view thereof;
FIG. 5 is a right side view thereof;
FIG. 6 is a top view thereof; and,
FIG. 7 is a bottom view thereof.
The broken lines of the shelf organizer in FIGS. 1-7 represent portions of the shelf organizer that form no part of the claimed design.

1 Claim, 7 Drawing Sheets



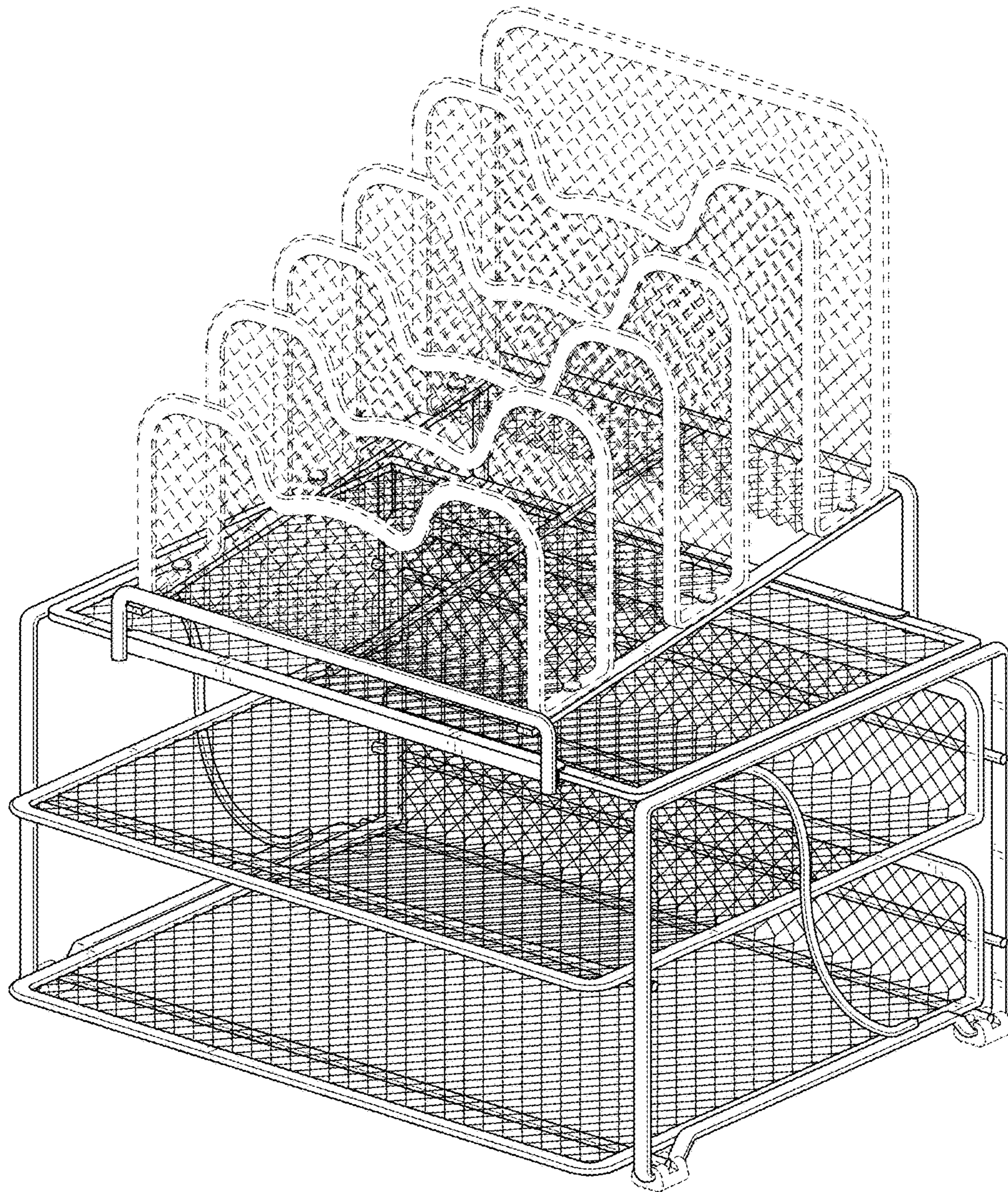


FIG. 1

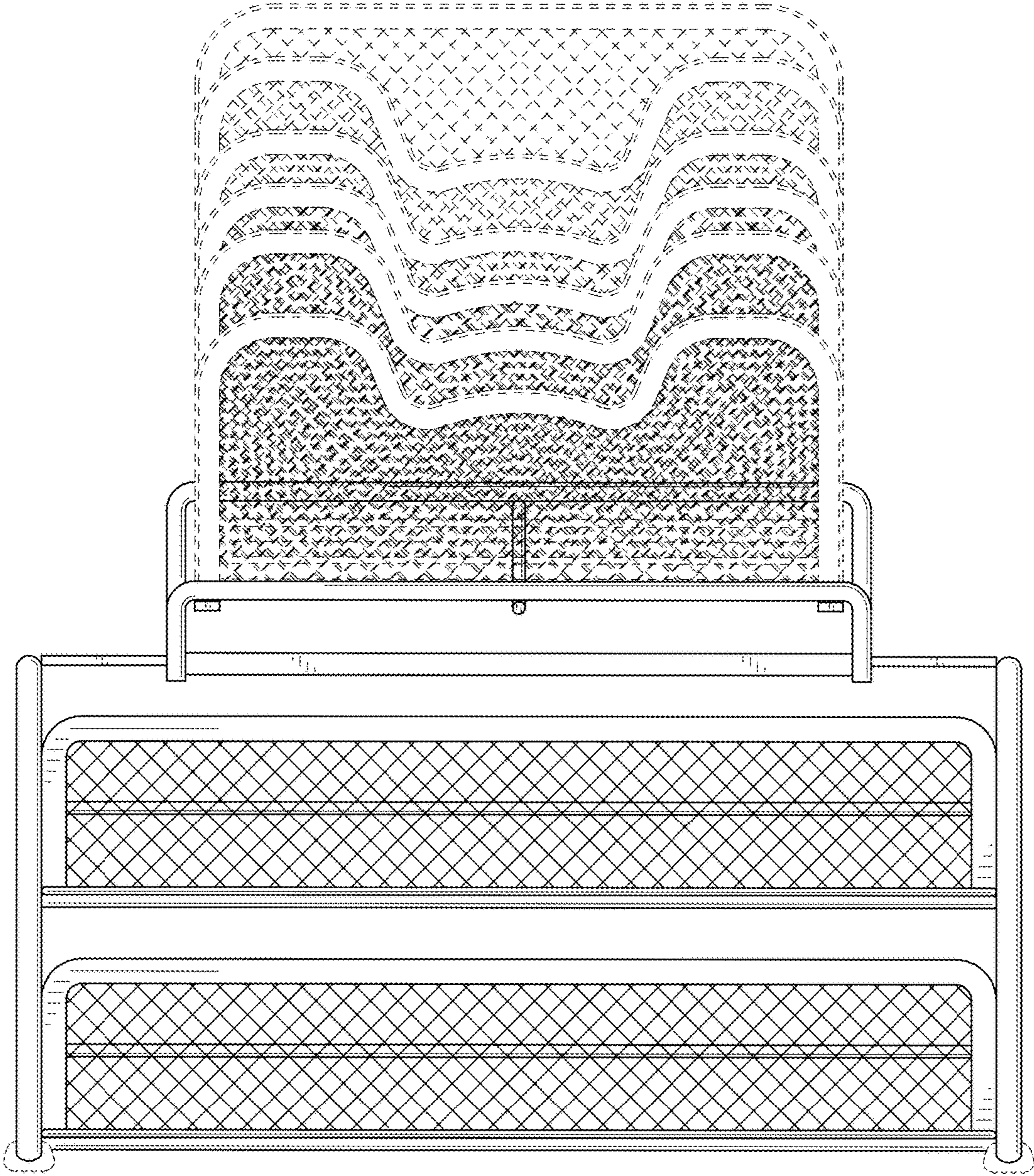


FIG. 2

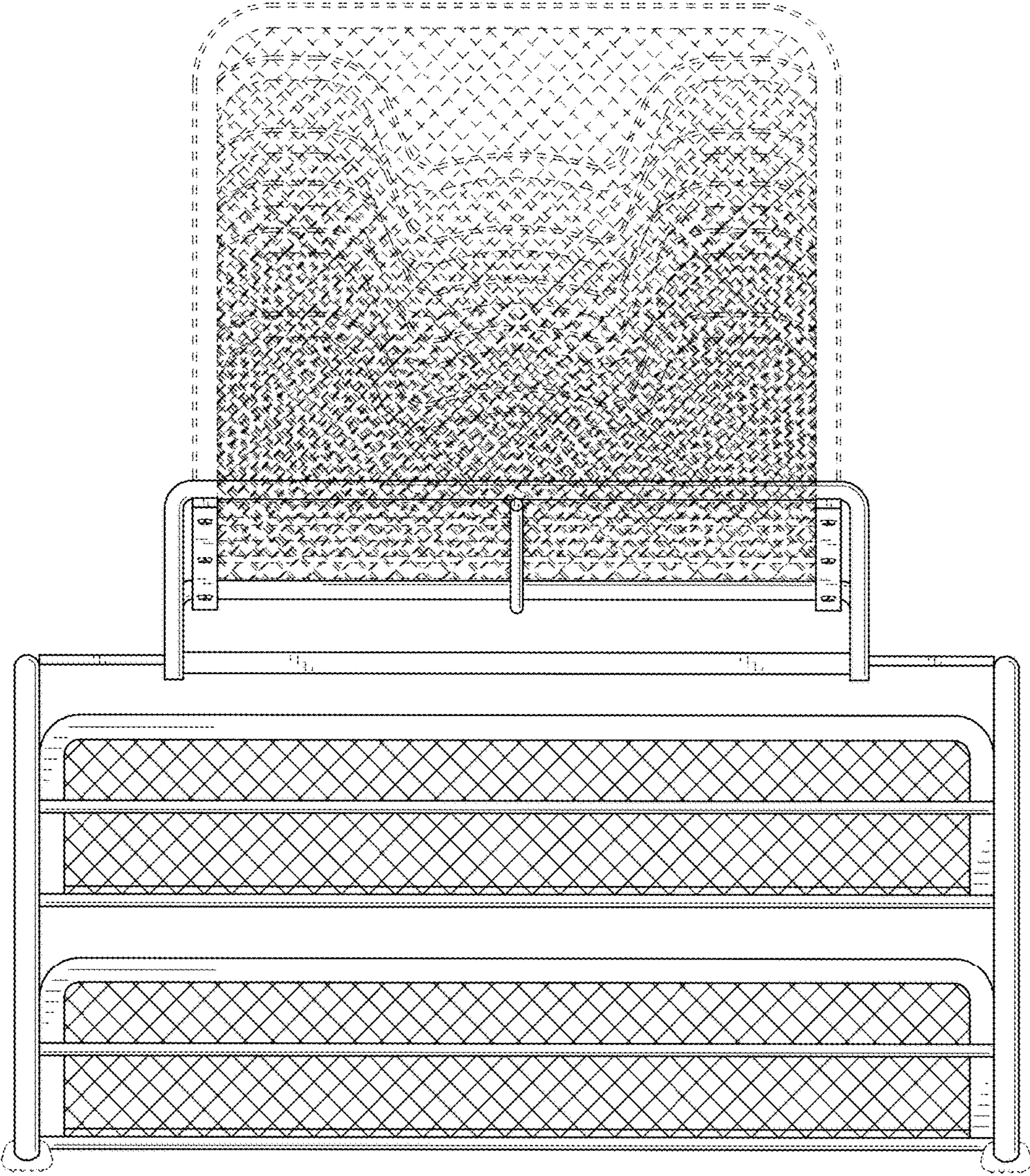


FIG. 3

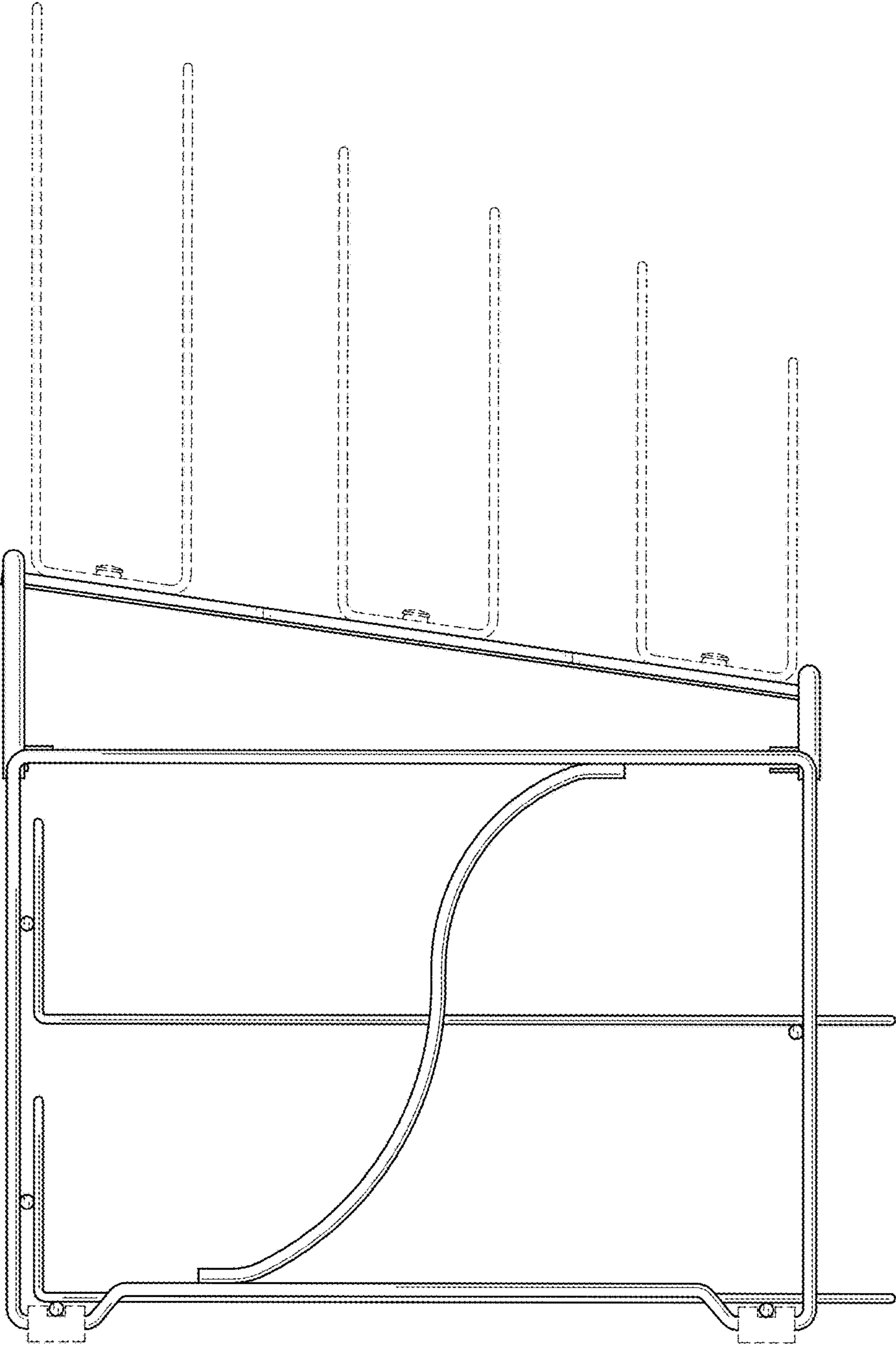


FIG. 4

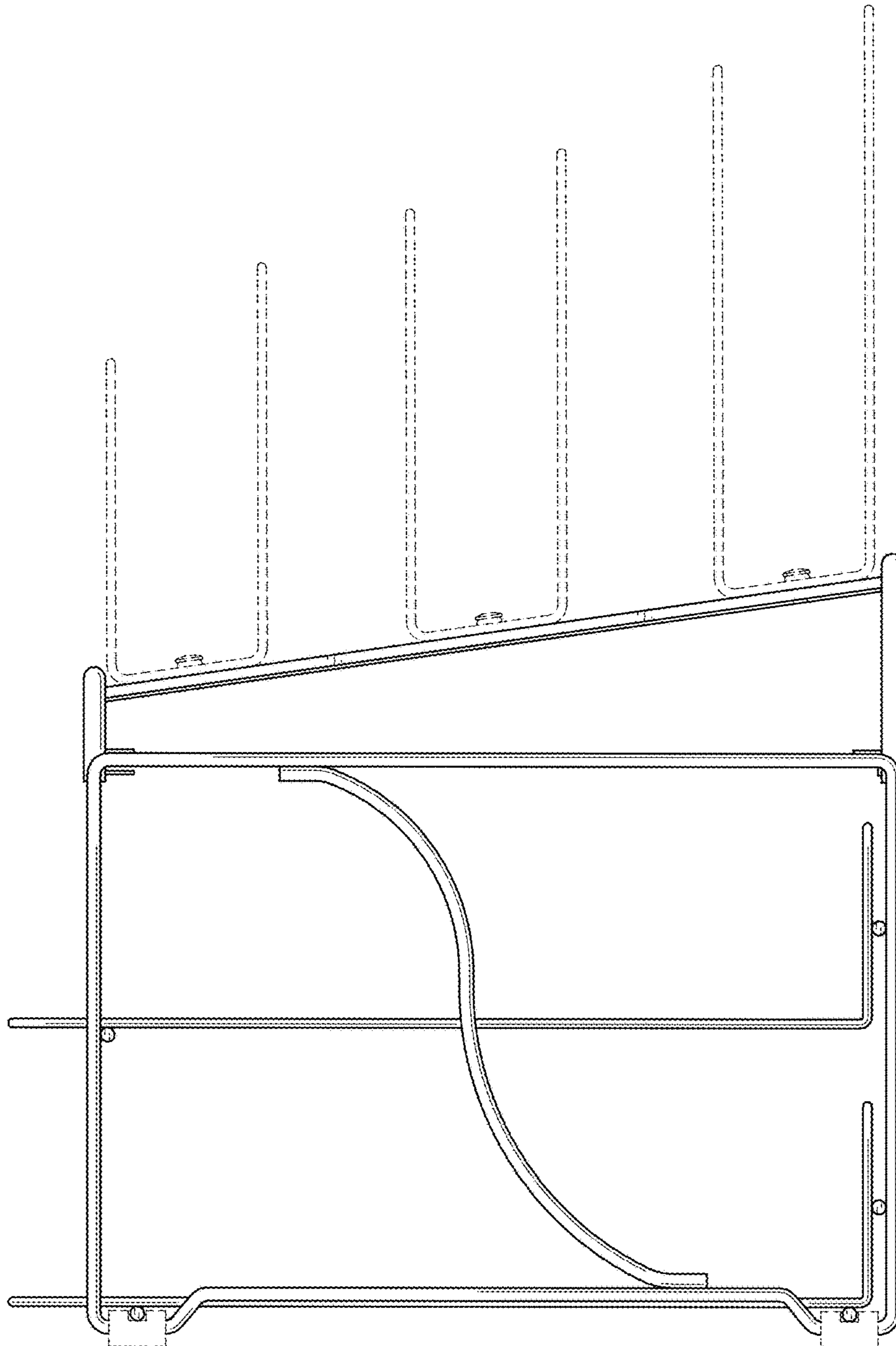


FIG. 5

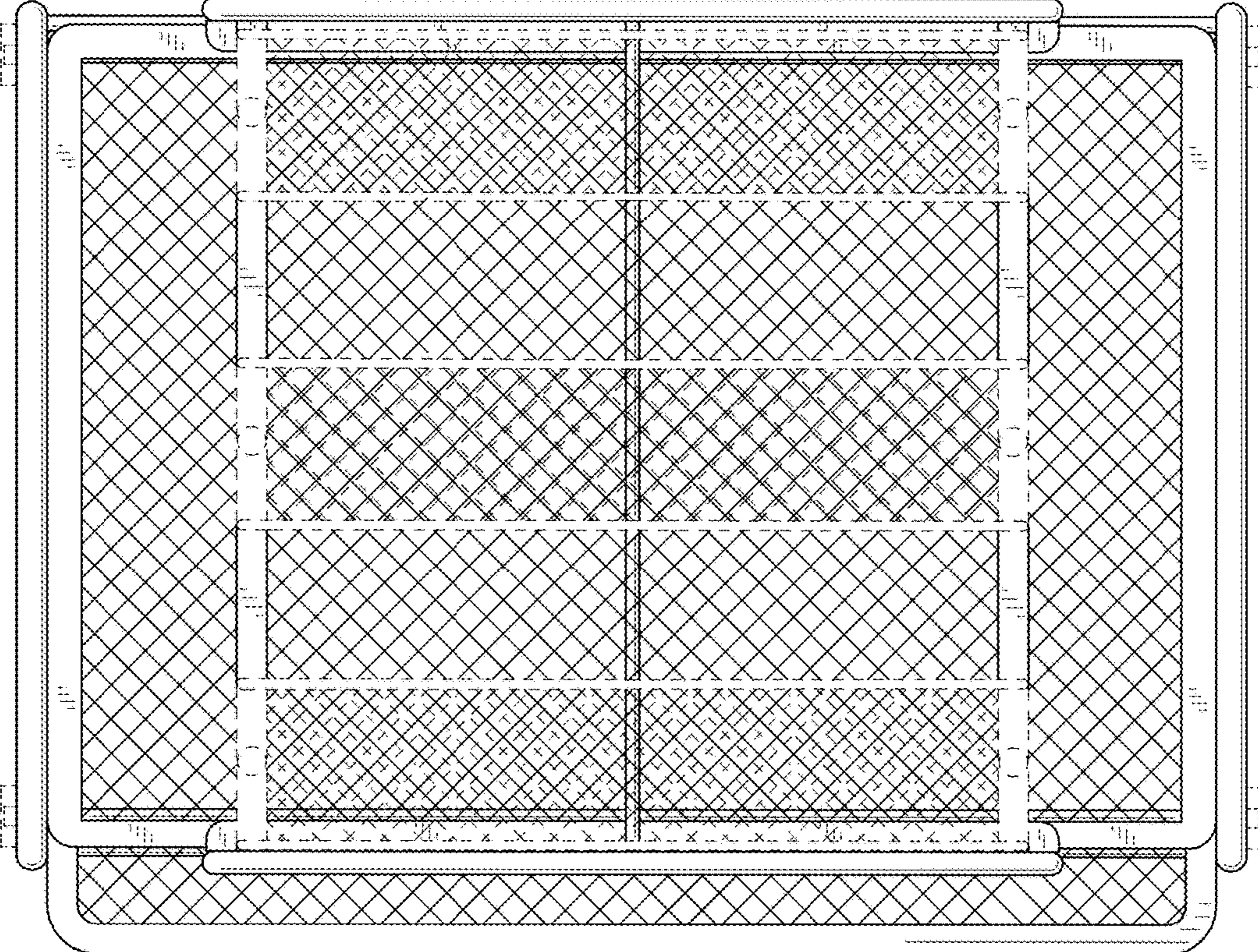


FIG. 6

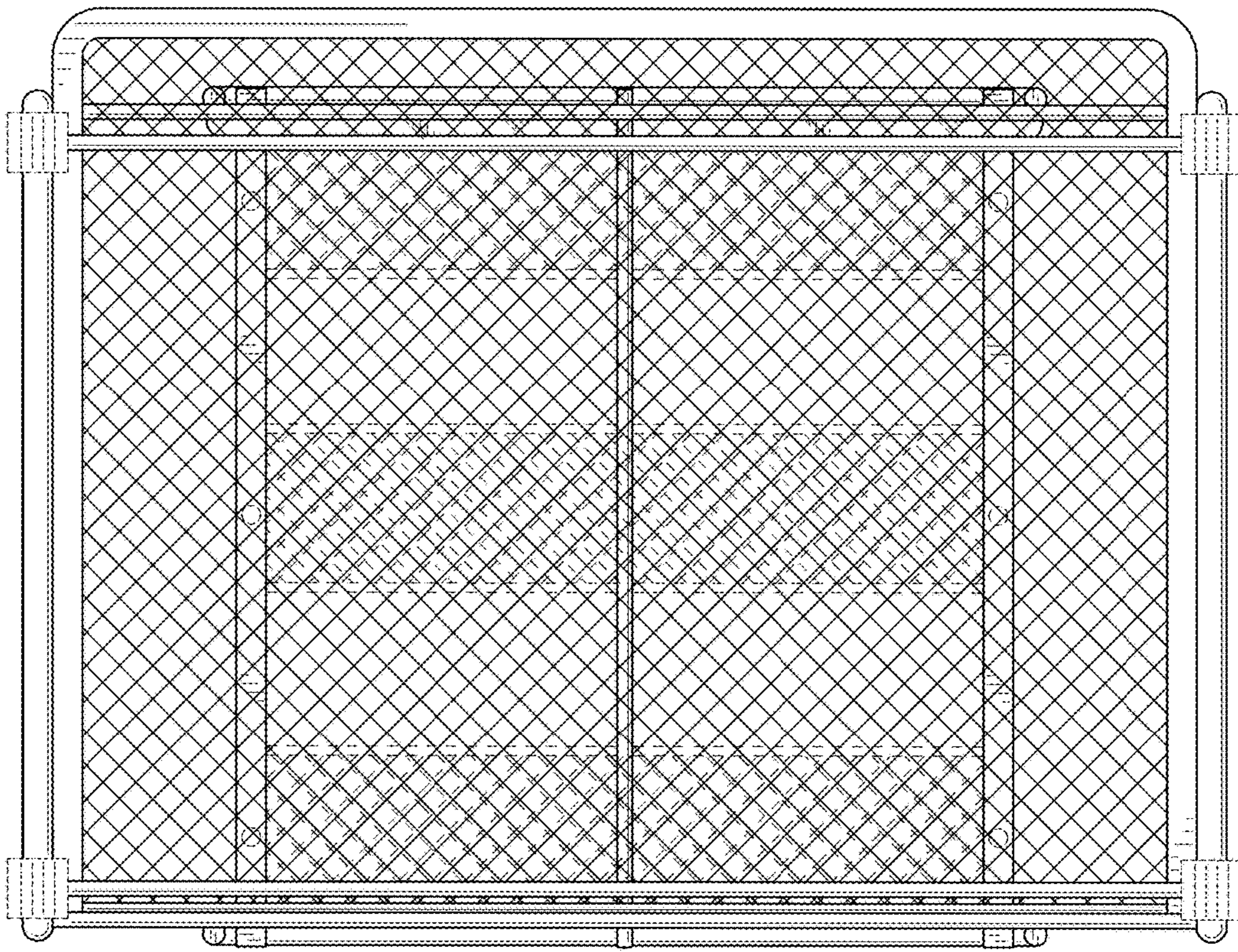


FIG. 7