



US00D841089S

(12) **United States Design Patent**  
**Heissenberger**

(10) **Patent No.:** **US D841,089 S**

(45) **Date of Patent:** **\*\* Feb. 19, 2019**

(54) **SAMPLE HOOK**

(71) Applicant: **SATTLER SUN-TEX GMBH,**  
Gossendorf (AT)

(72) Inventor: **Manfred Heissenberger,** Graz (AT)

(73) Assignee: **Sattler SUN-TEX GmbH,** Gossendorf  
(AT)

(\*\*) Term: **15 Years**

(21) Appl. No.: **35/503,629**

(22) Filed: **May 30, 2017**

(80) **Hague Agreement Data**

Int. Filing Date: **May 30, 2017**

Int. Reg. No.: **DM/097490**

Int. Reg. Date: **May 30, 2017**

Int. Reg. Pub. Date: **Sep. 8, 2017**

(30) **Foreign Application Priority Data**

Nov. 30, 2016 (EM) ..... 003492628

(51) **LOC (11) Cl.** ..... **19-04**

(52) **U.S. Cl.**  
USPC ..... **D19/27**

(58) **Field of Classification Search**

USPC ..... D19/26, 27, 32, 75, 86, 91, 92; D3/247,  
D3/294, 299

CPC ..... B42F 3/00; B42F 3/04; B42F 5/00; B42F  
13/00; B42F 13/14; B42F 13/16; B42F  
13/0006

See application file for complete search history.

(56) **References Cited**

**U.S. PATENT DOCUMENTS**

1,659,395 A \* 2/1928 Douglas ..... B42F 13/402  
281/33

2,099,472 A \* 11/1937 Emery ..... B42F 13/16  
402/28

2,982,568 A \* 5/1961 Wolfe ..... A47F 7/163  
248/441.1  
3,008,248 A \* 11/1961 Steinthal ..... G09F 5/04  
206/450  
3,189,369 A \* 6/1965 Walker, Jr. .... 281/33  
D236,556 S \* 8/1975 Di Paola et al. .... D3/295  
D251,082 S \* 2/1979 Petrie ..... D19/20  
4,219,951 A \* 9/1980 Schmidt ..... B42F 13/0026  
40/530  
4,240,761 A \* 12/1980 Jacobson ..... B42F 13/402  
281/33  
D273,796 S \* 5/1984 Milden ..... D19/27  
4,498,828 A \* 2/1985 Ackerman ..... B42C 9/0025  
281/21.1  
4,552,479 A \* 11/1985 Nickow ..... B42F 13/402  
281/31  
4,703,943 A \* 11/1987 Zelenko ..... B42D 1/08  
206/450

(Continued)

*Primary Examiner* — Keli L Hill

(74) *Attorney, Agent, or Firm* — Greenblum & Bernstein,  
P.L.C.

(57) **CLAIM**

The ornamental design for a sample book, as shown and  
described.

**DESCRIPTION**

2. Sample books

2.1 is a top view of the design;

2.2 is a front perspective view thereof;

2.3 is a right side perspective view thereof, shown in an open  
position;

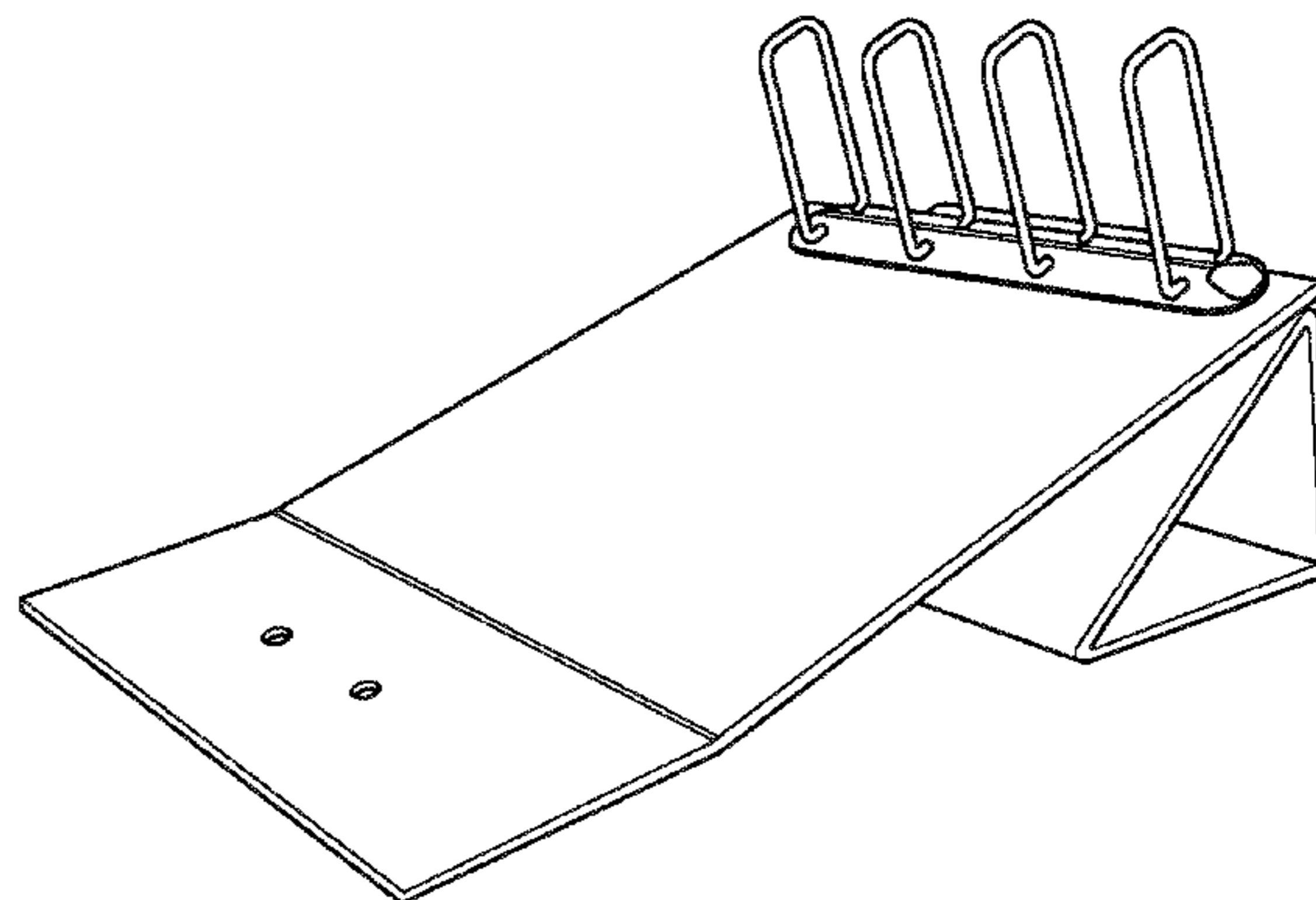
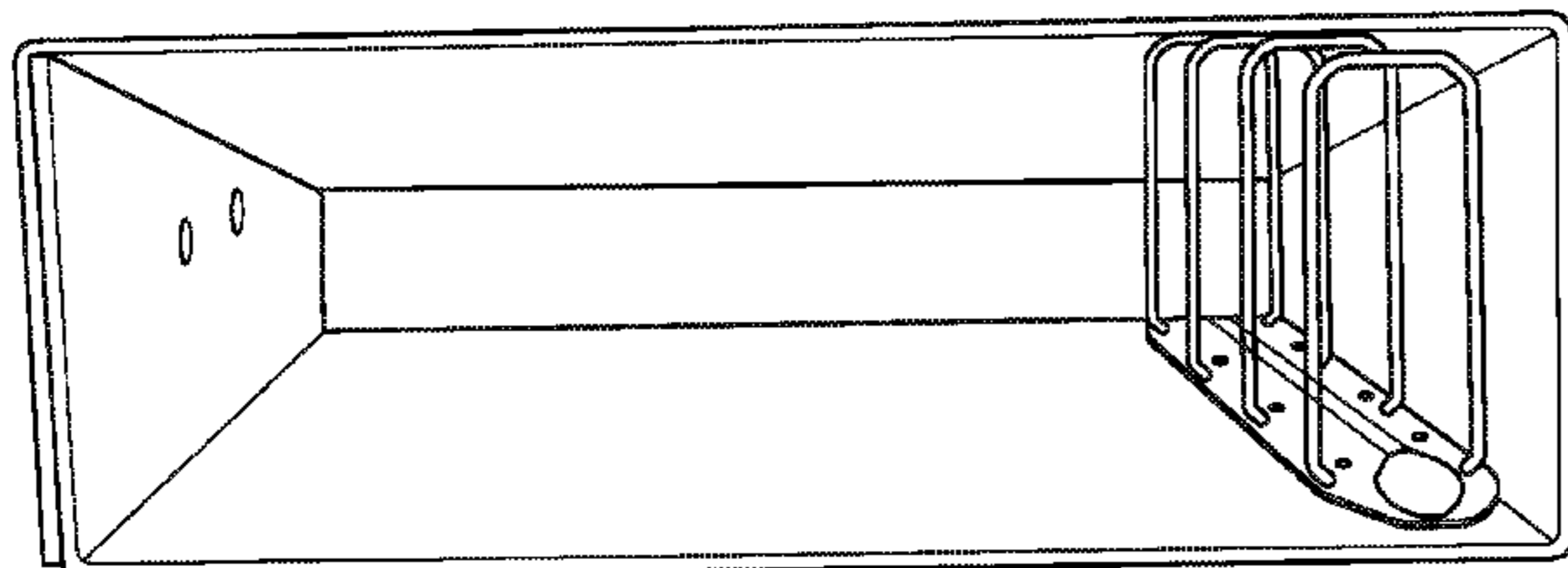
2.4 is another right side perspective view thereof, shown in  
a closed position;

2.5 is another right side perspective view thereof, shown in  
a second open position;

2.6 is another right side perspective view thereof; shown in  
a third open position; and

2.7 is an alternate front and right side perspective view  
thereof.

**1 Claim, 7 Drawing Sheets**



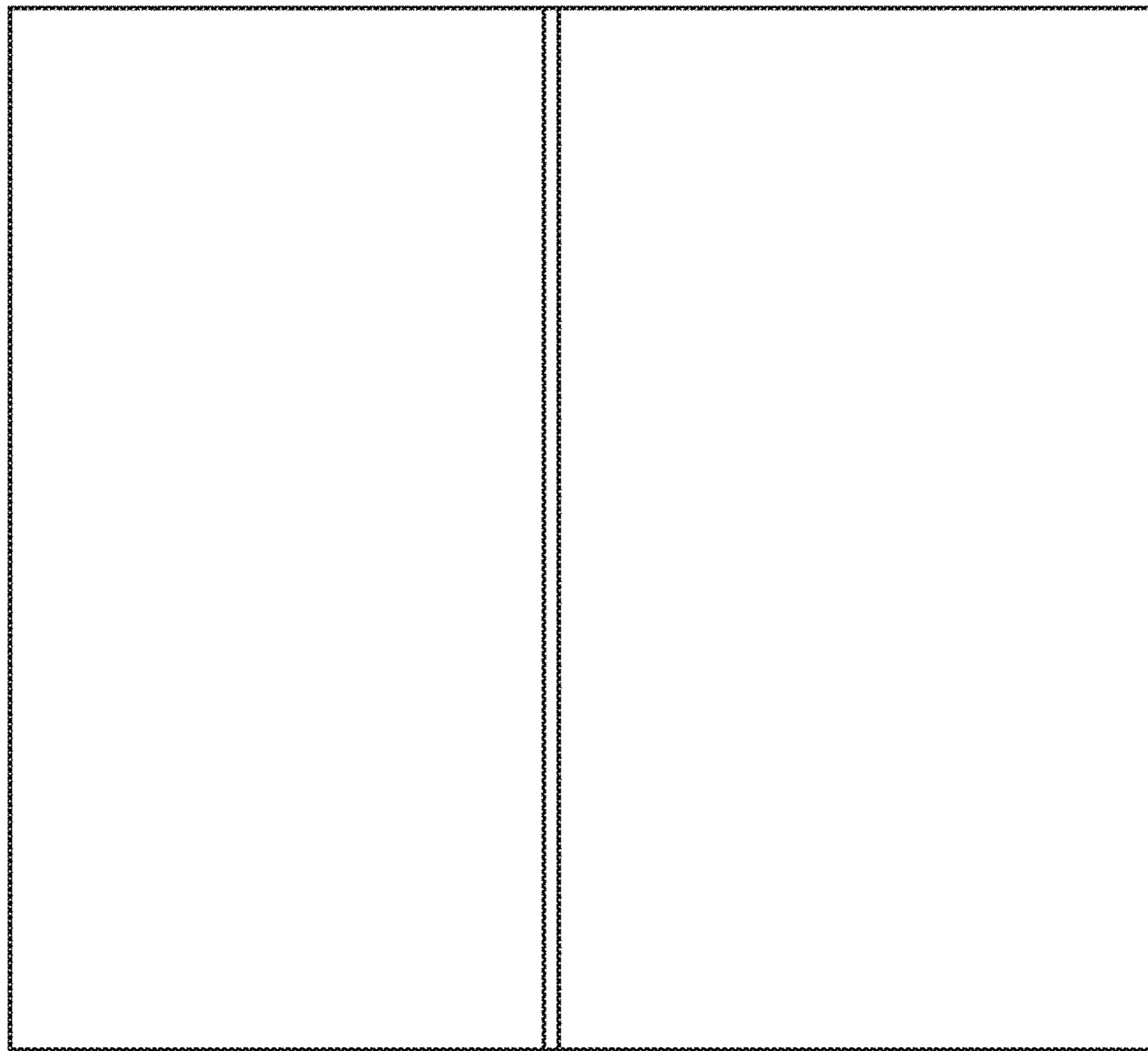
(56)

**References Cited**

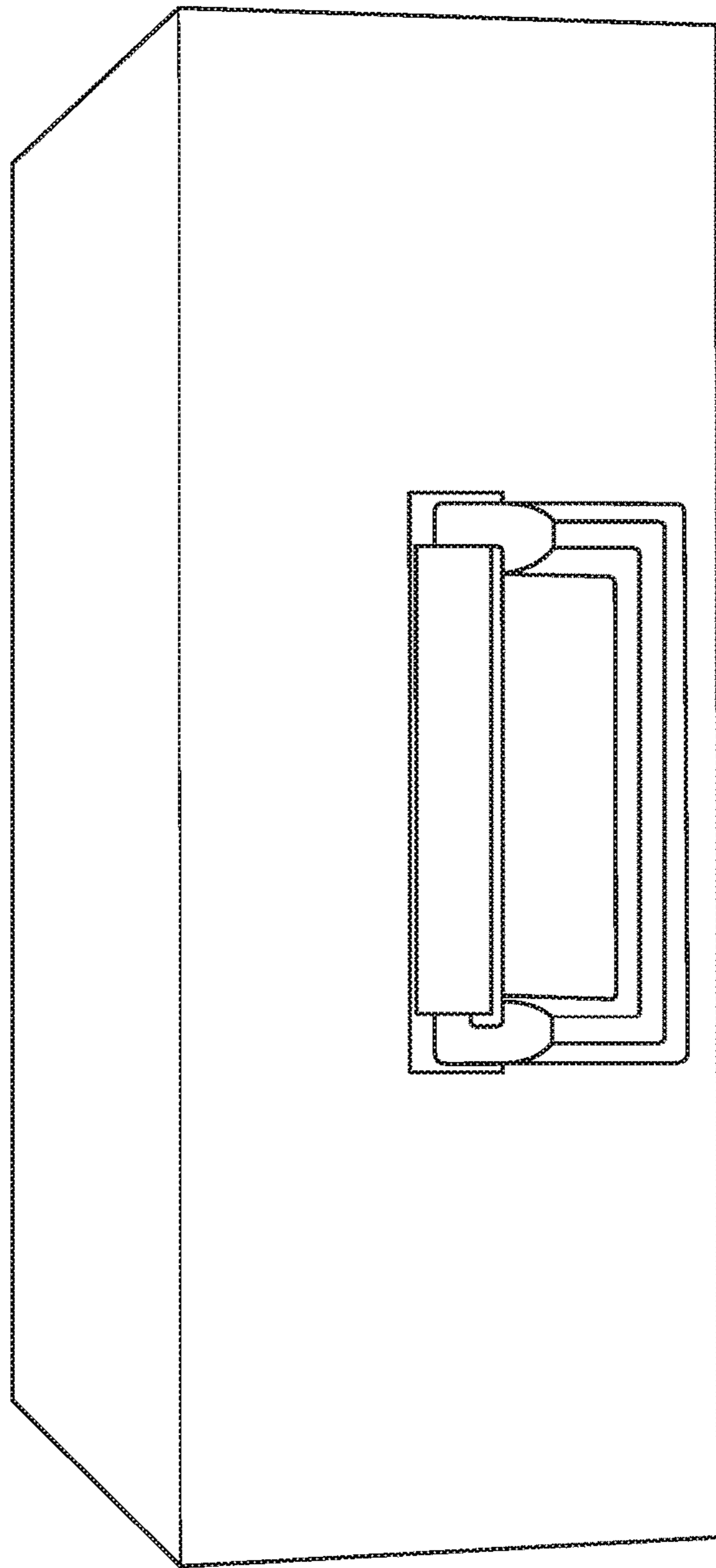
U.S. PATENT DOCUMENTS

D293,335	S	*	12/1987	Egly .....	D19/27
4,765,462	A	*	8/1988	Rose, Jr. ....	B42F 13/40
					206/232
5,174,674	A	*	12/1992	Norwood .....	B42F 13/0033
					402/502
5,904,374	A	*	5/1999	Lee .....	B42D 9/007
					116/238
D451,901	S	*	12/2001	Chan .....	B42F 13/40
					D14/170
D495,738	S	*	9/2004	Brandt .....	D19/26
D544,538	S	*	6/2007	Kesselring .....	B42D 1/08
					D19/27
D569,426	S	*	5/2008	Stockstill .....	D19/26
D611,533	S	*	3/2010	Baker .....	D19/27
D622,503	S	*	8/2010	Palmer .....	D3/274
D657,819	S	*	4/2012	Le .....	B42F 13/0026
					D19/27
D658,187	S	*	4/2012	Diebel .....	G06F 1/1679
					D14/440
D694,523	S	*	12/2013	Chiang .....	D3/303
D752,683	S	*	3/2016	Rowe .....	B42F 13/402
					D19/27
D761,267	S	*	7/2016	Chen .....	B42F 13/16
					D14/345
D793,361	S	*	8/2017	Hoggarth .....	D14/204

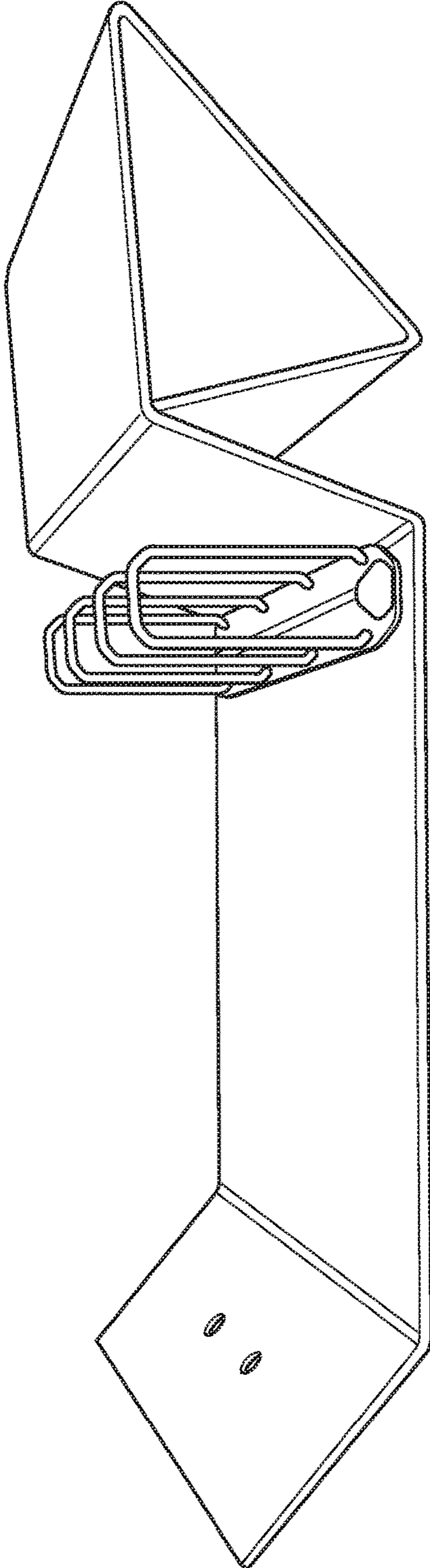
\* cited by examiner



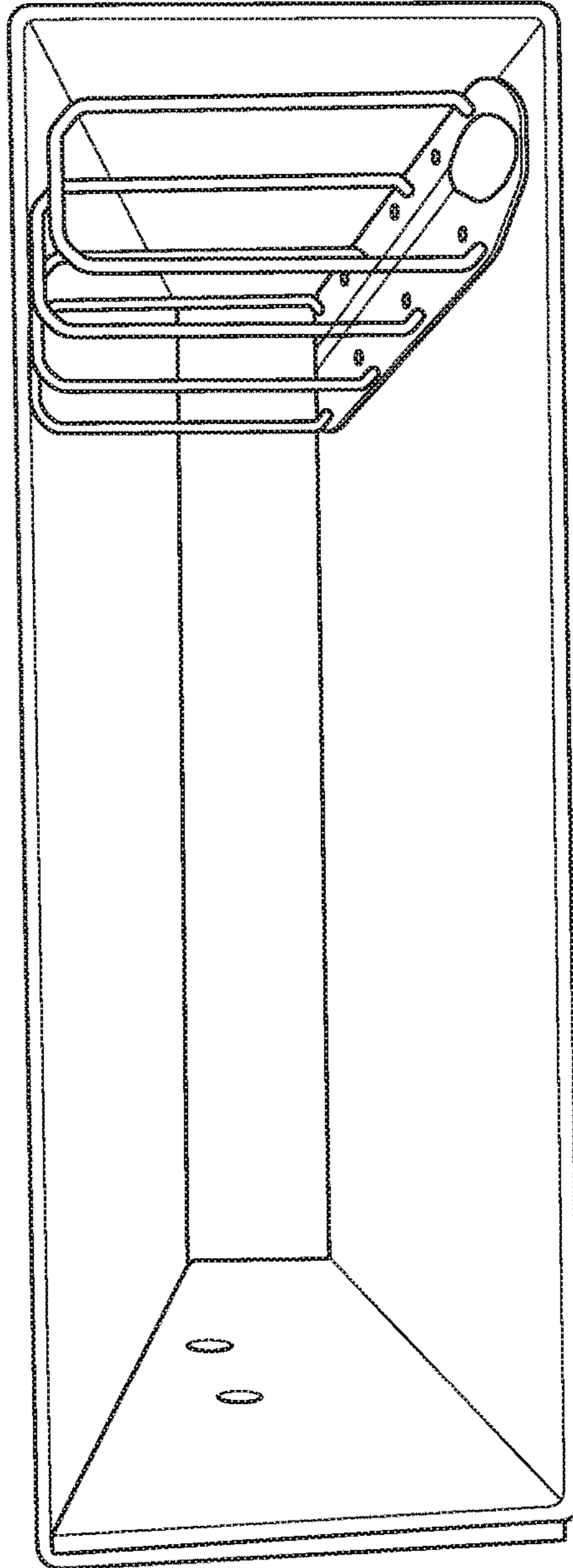
2.1



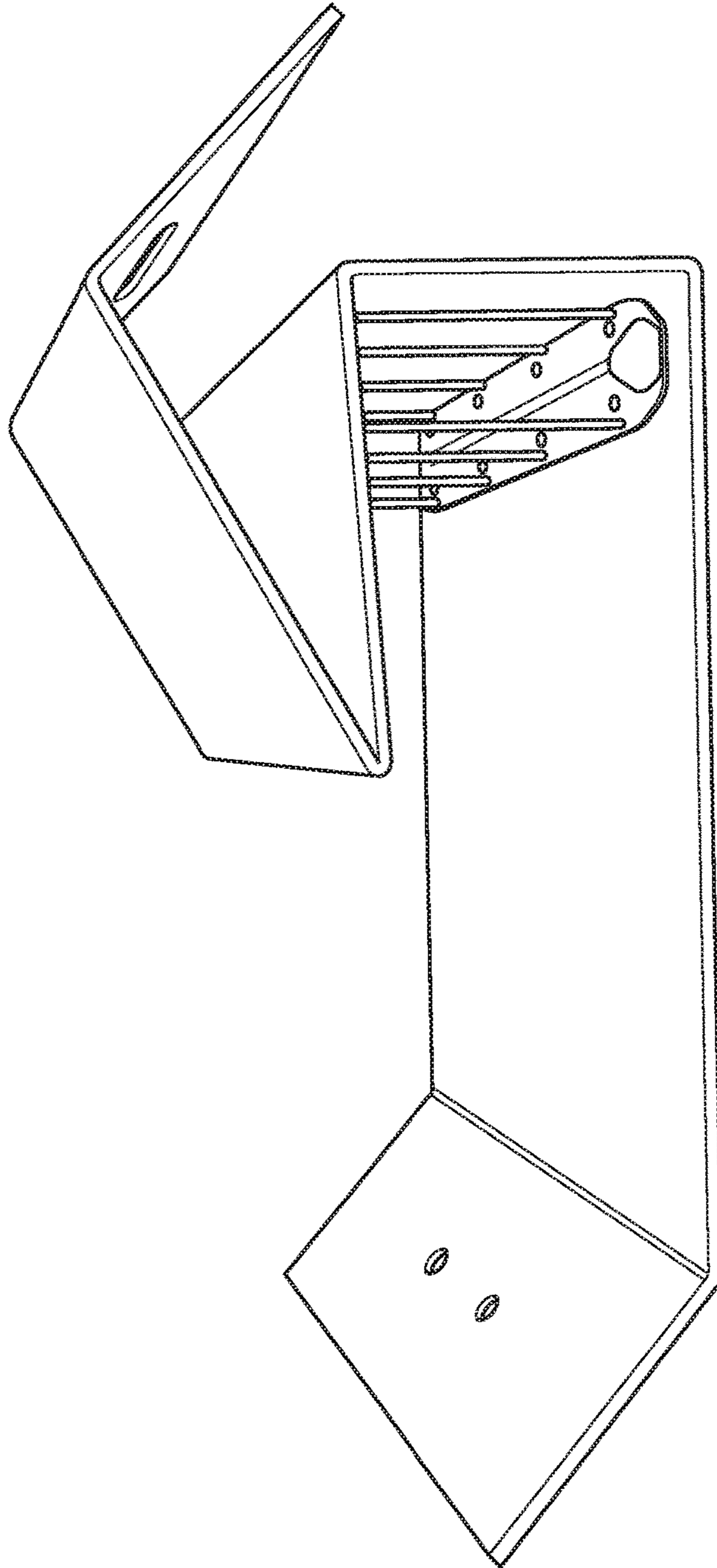
2.2



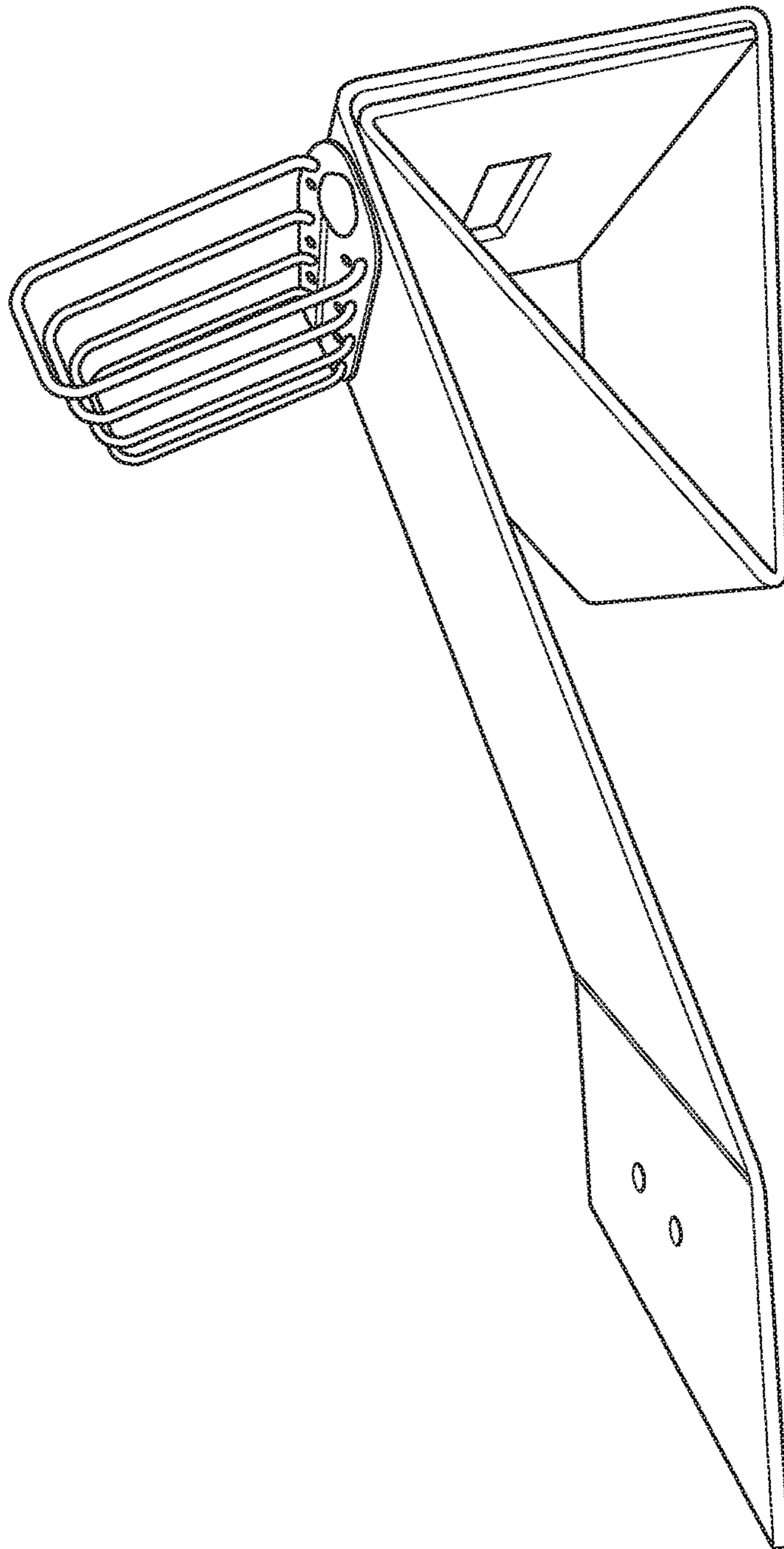
2.3



2.4

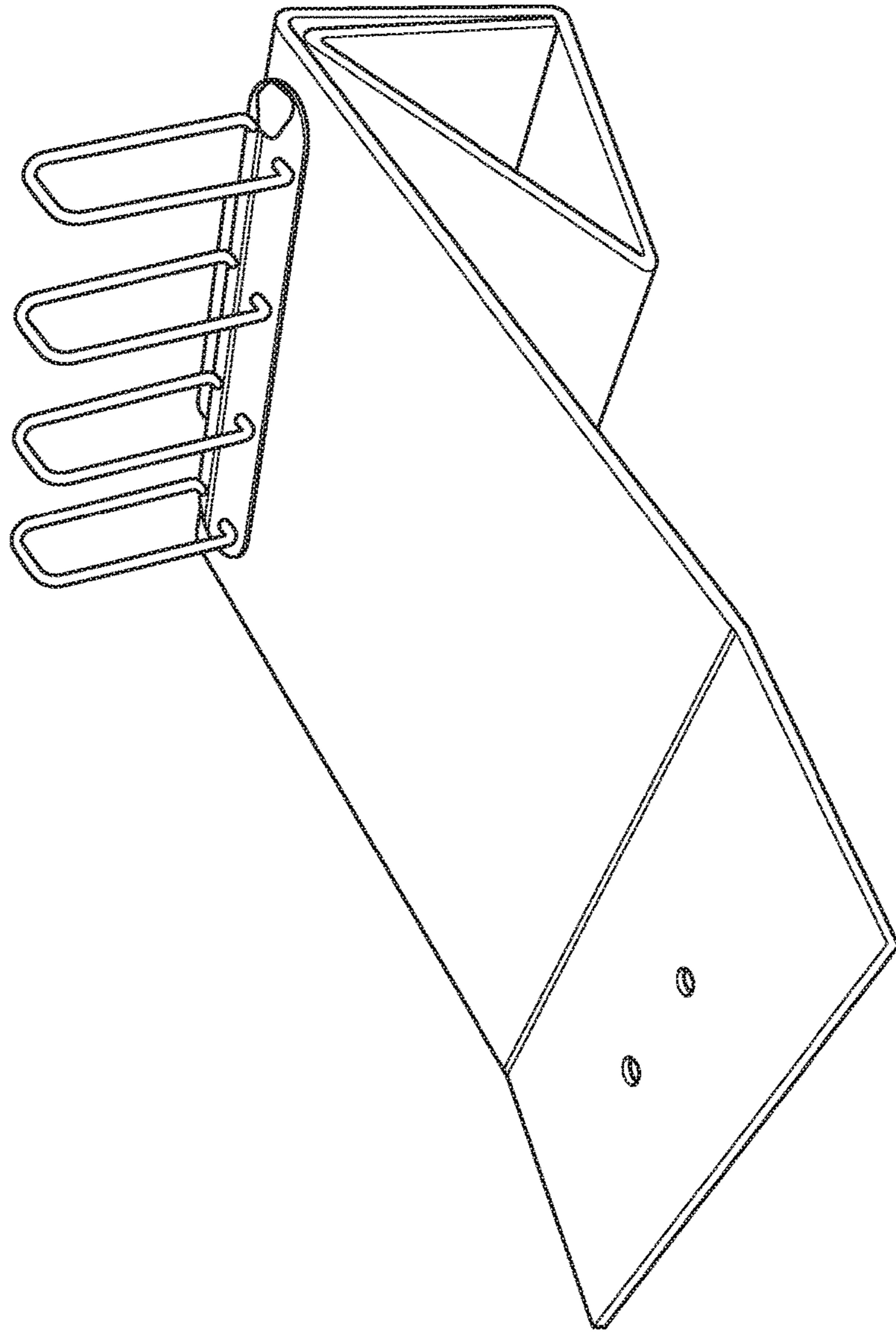


2.5



2.6





2.7