



US00D841088S

(12) **United States Design Patent**  
**Weir**

(10) **Patent No.:** **US D841,088 S**

(45) **Date of Patent:** **\*\* Feb. 19, 2019**

(54) **GREETING CARD WITH FOLDING CUTOUT**

(71) Applicant: **E. Lee Weir**, Bedford, IA (US)

(72) Inventor: **E. Lee Weir**, Bedford, IA (US)

(\*\*) Term: **15 Years**

(21) Appl. No.: **29/609,909**

(22) Filed: **Jul. 6, 2017**

(51) **LOC (11) Cl.** ..... **19-01**

(52) **U.S. Cl.**  
USPC ..... **D19/1**

(58) **Field of Classification Search**  
USPC ..... D19/1-8; 40/124.01-124.15, 672, 661, 40/726, 776, 617, 633; 229/72, 92, 92.1, 229/300-303; 283/72, 74, 75, 103, 105, 283/106, 71, 117; 206/449; D21/385; D20/10, 22, 27, 40, 42, 11; 493/216, 944  
CPC .... B42D 15/00; B42D 15/022; B42D 15/045; B42D 15/027; B42D 15/042; B42D 25/00; B42D 25/20; B42D 25/23; B42D 25/26; B42D 25/29; B42D 25/30; B42D 25/285; B42D 2033/00; B42D 2033/02; B42D 2033/04; B42D 2033/08; B42D 2033/10; B42D 2033/16; B42D 2033/18; B42D 2033/20; B42D 2033/22; B42D 2033/28; B42D 2033/30

See application file for complete search history.

(56) **References Cited**

**U.S. PATENT DOCUMENTS**

D253,659 S \* 12/1979 Weeks ..... D19/26  
D497,178 S 10/2004 Weir

D650,855 S \* 12/2011 Kenney ..... D19/1  
D784,446 S \* 4/2017 Myricks ..... D19/2

\* cited by examiner

*Primary Examiner* — Abraham Bahta

(74) *Attorney, Agent, or Firm* — Law Office of Mark Brown, LLC; Mark E. Brown

(57) **CLAIM**

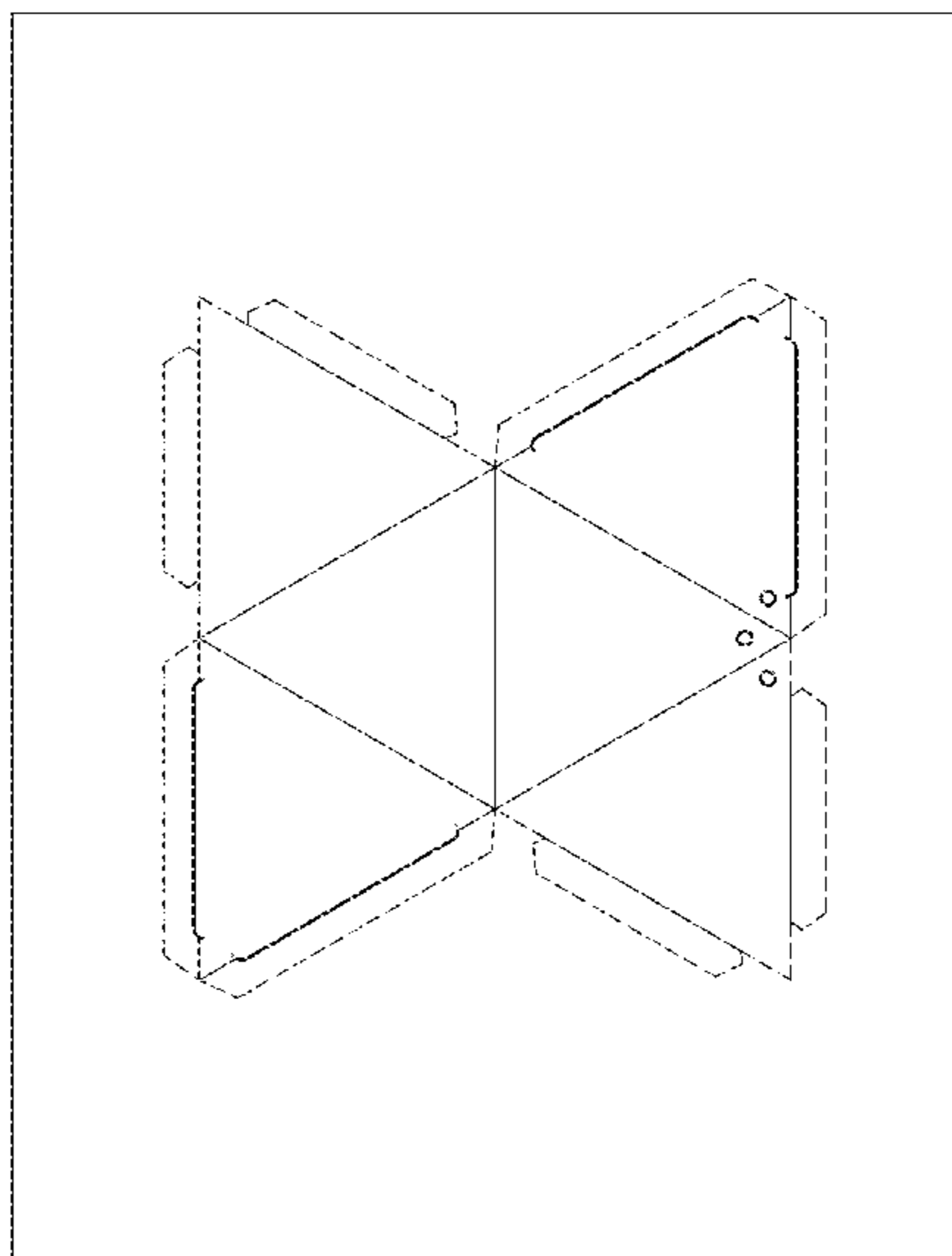
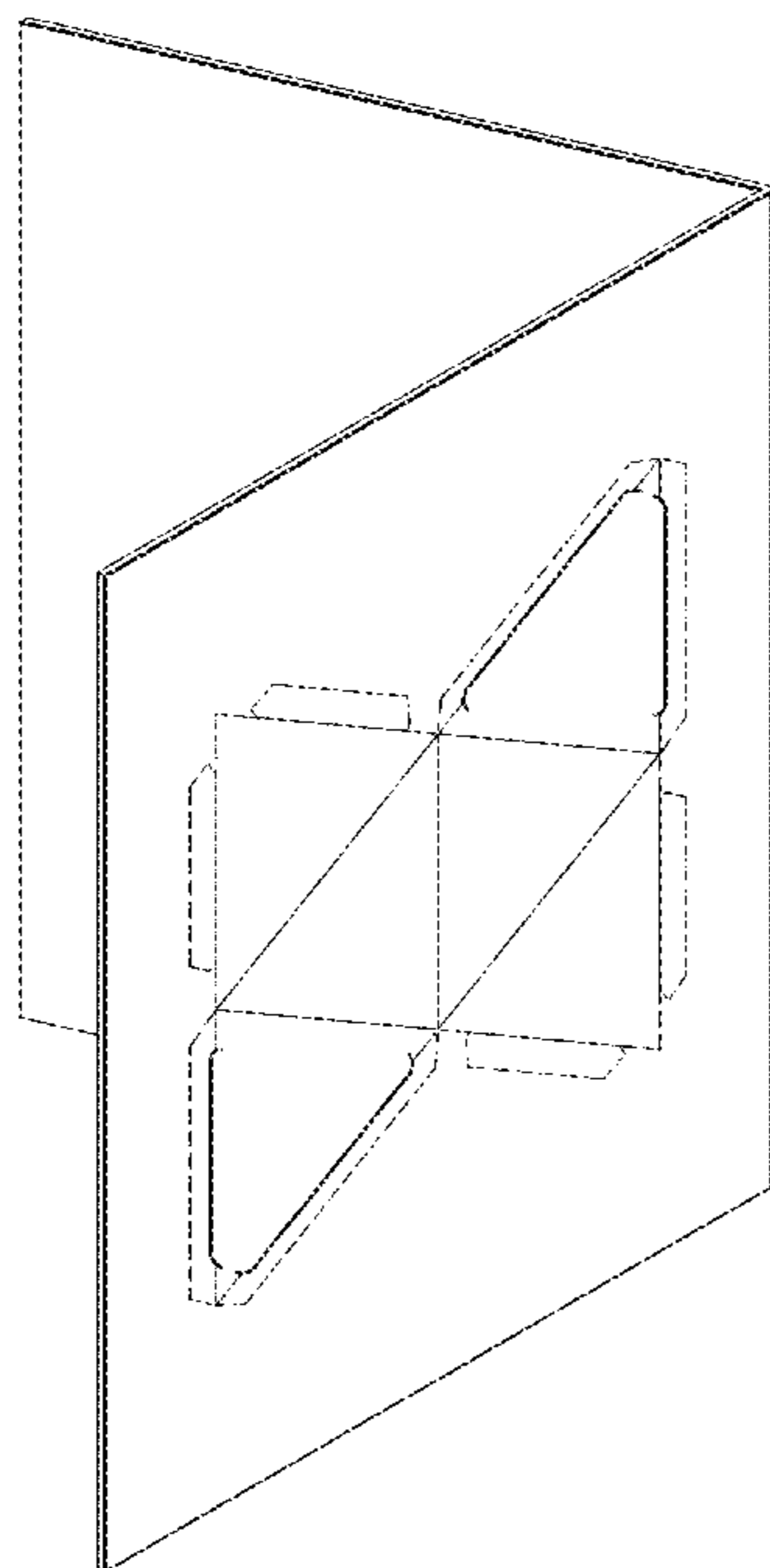
The ornamental design for a greeting card with folding cutout, as shown and described.

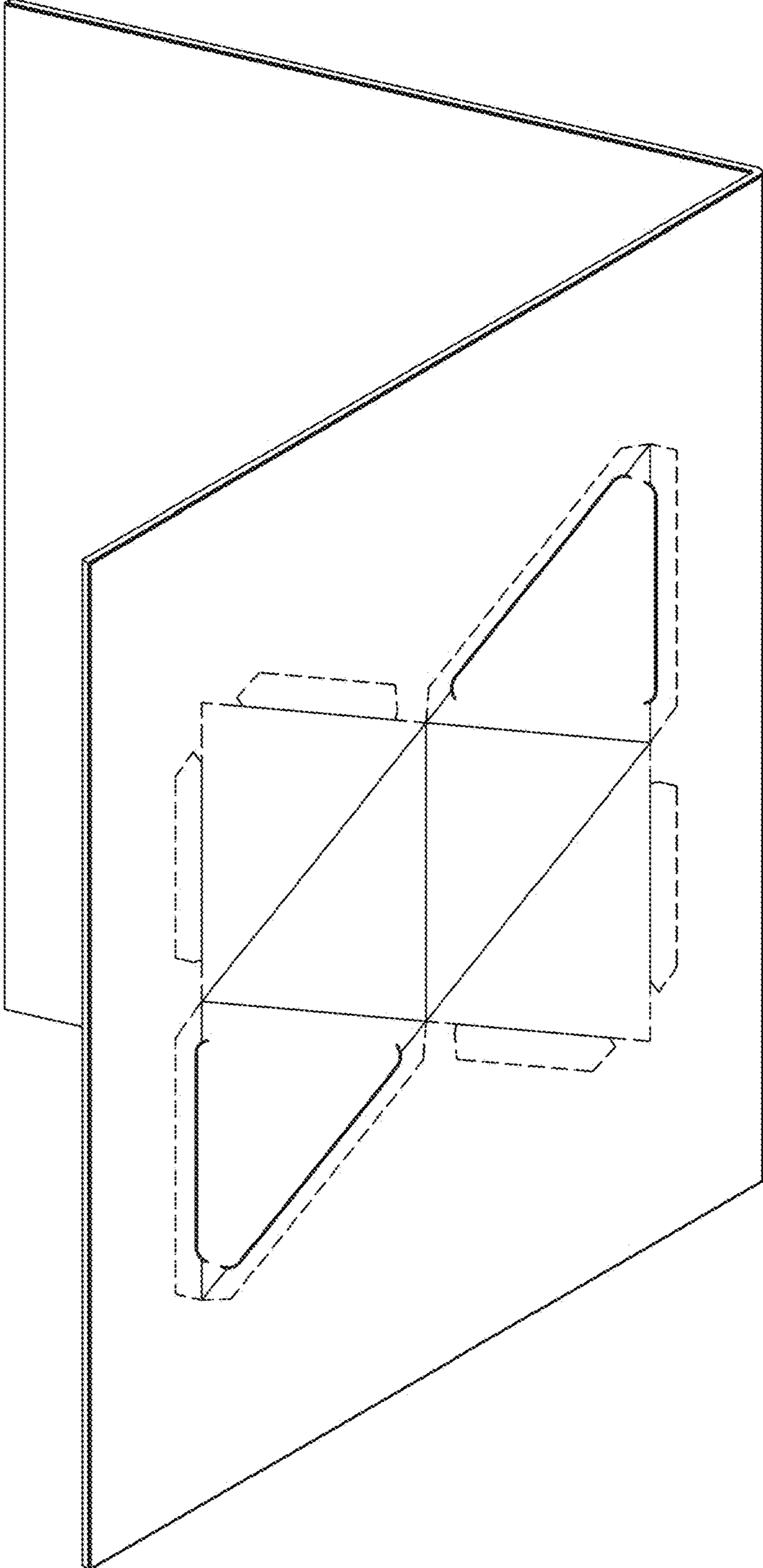
**DESCRIPTION**

FIG. 1 is an upper, rear, right-side perspective view of a greeting card with folding cutout, showing my new design; FIG. 2 is a rear elevational view thereof; FIG. 3 is a front elevational view thereof; FIG. 4 is a right side elevational view thereof; FIG. 5 is a left side elevational view thereof; FIG. 6 is a top plan view thereof, the bottom plan view being a mirror image; FIG. 7 is an upper, front, right side perspective view of a greeting card with folding cutout, showing a first modified embodiment of my new design with a front panel cutout; and, FIG. 8 is a rear elevational view of a second modified embodiment of my new design, the front, right, and left sides and top and bottom plan views thereof being similar to those of the first embodiment.

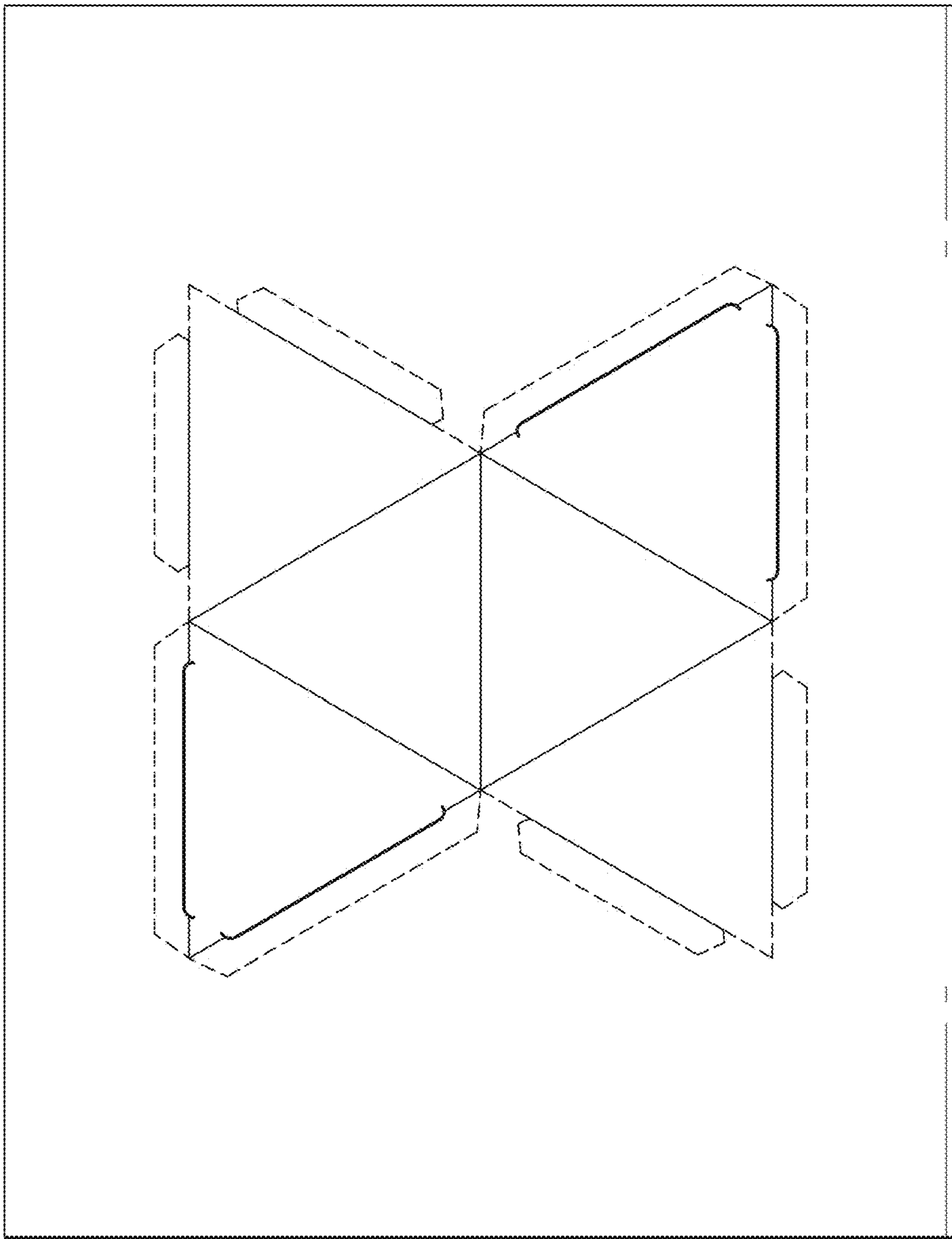
In the referenced figures, the dashed lines represent perforations on the surface of the greeting card, the heavy solid lines represent cuts through the surface of the greeting card, and the lighter weight lines represent fold lines.

**1 Claim, 6 Drawing Sheets**

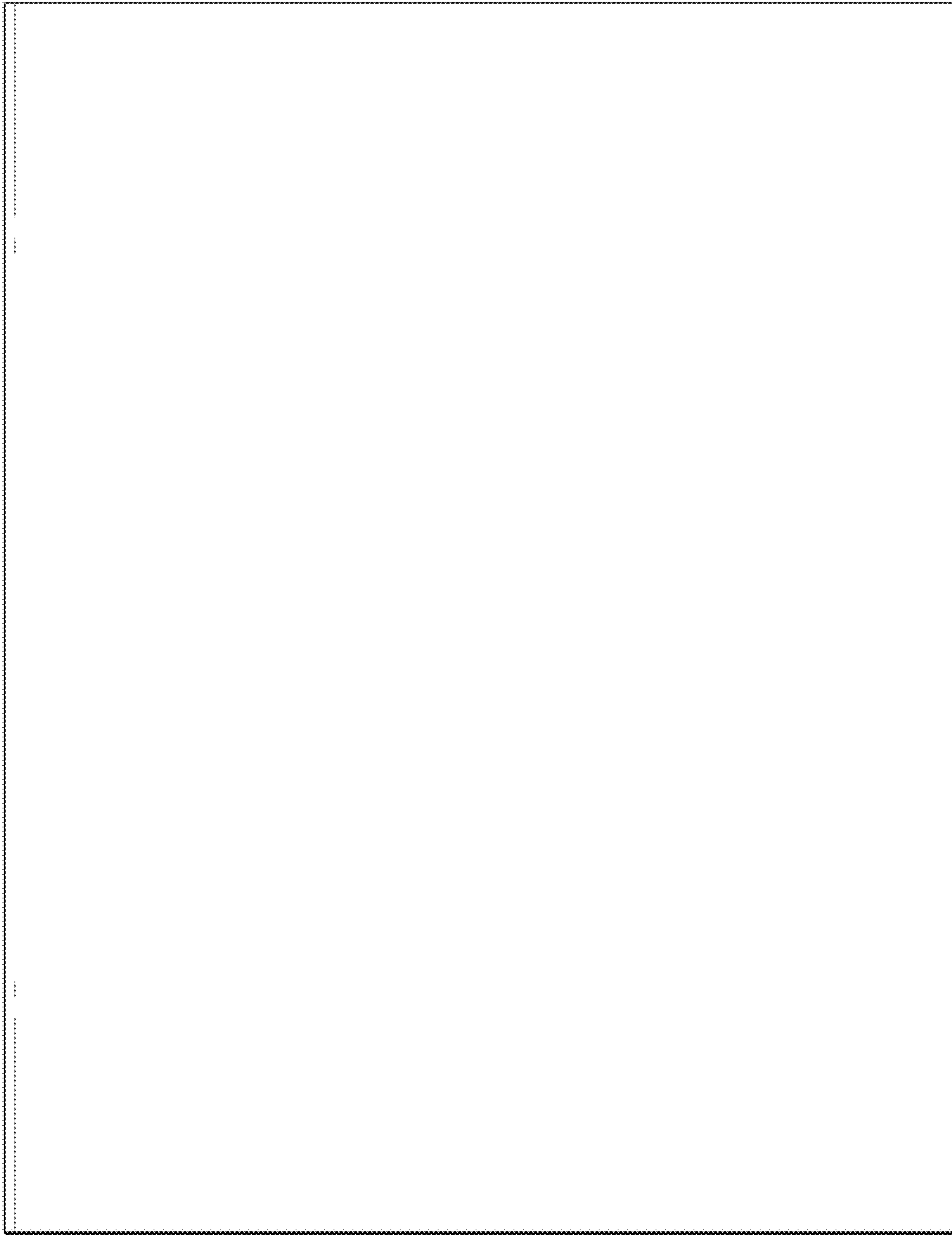




*FIG. 1*



*FIG. 2*



*FIG. 3*



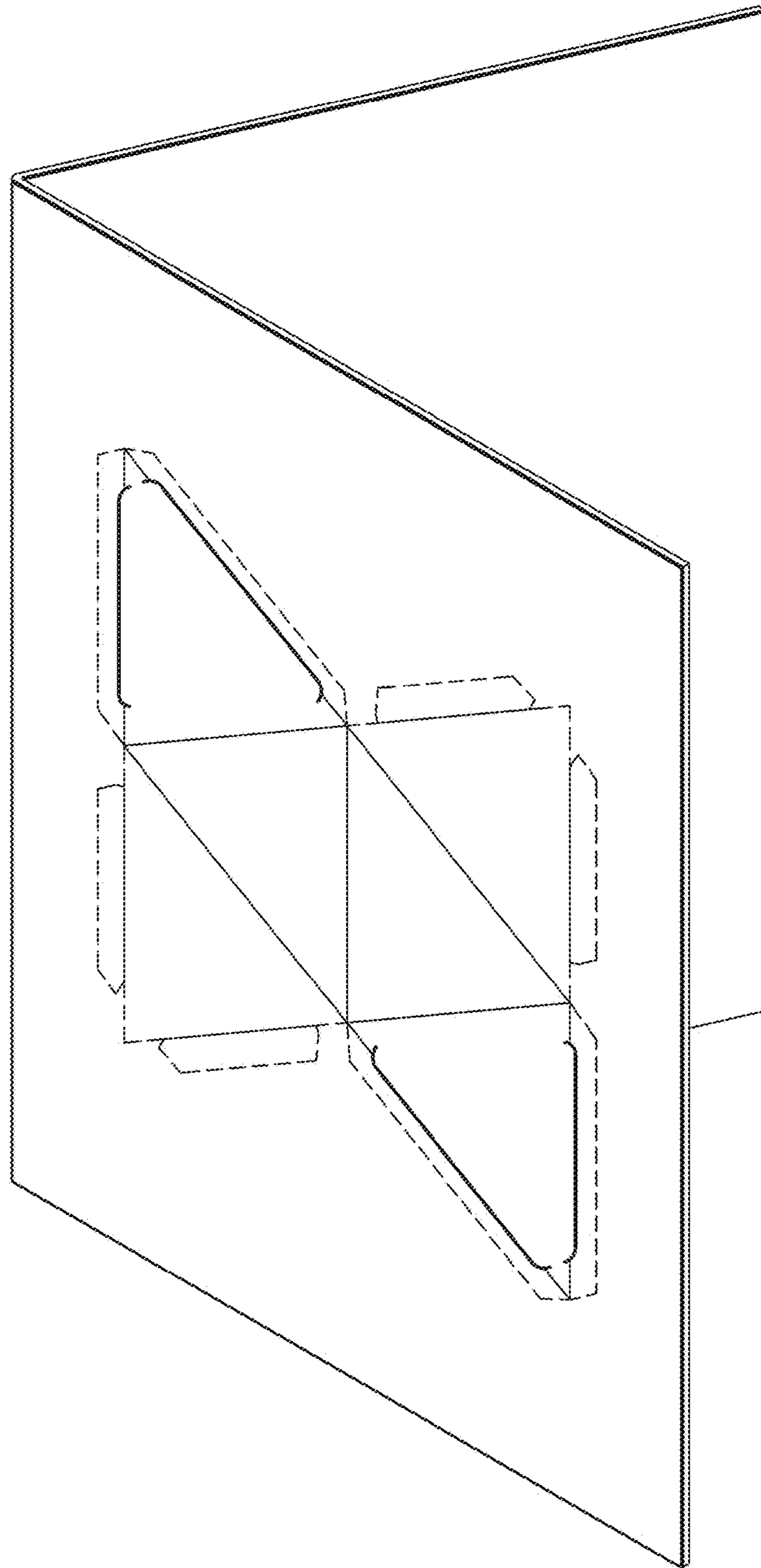
*FIG. 4*



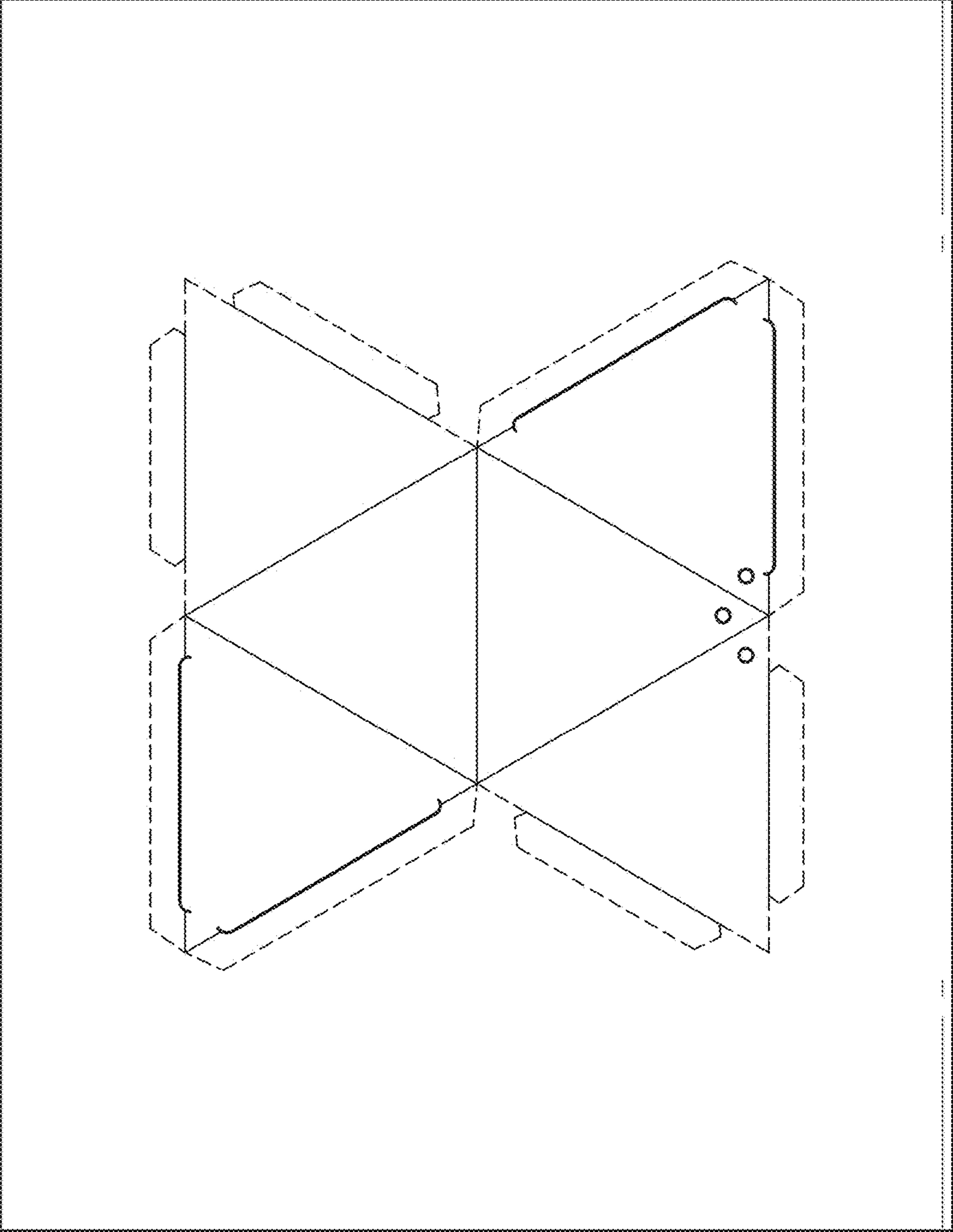
*FIG. 5*



*FIG. 6*



*FIG. 7*



*FIG. 8*