



US00D841086S

(12) **United States Design Patent** (10) **Patent No.:** **US D841,086 S**
Esterberg (45) **Date of Patent:** **** Feb. 19, 2019**

(54) **PEN FOR A PRINTER**

(71) Applicant: **Hewlett-Packard Development Company, L.P.**, Houston, TX (US)

(72) Inventor: **Dennis R. Esterberg**, Corvallis, OR (US)

(73) Assignee: **HEWLETT-PACKARD DEVELOPMENT COMPANY, L.P.**, Houston, TX (US)

(**) Term: **15 Years**

(21) Appl. No.: **29/555,765**

(22) Filed: **Feb. 24, 2016**

(51) **LOC (11) Cl.** **18-02**

(52) **U.S. Cl.**
USPC **D18/56**

(58) **Field of Classification Search**
USPC D18/12, 40, 43, 44, 56
(Continued)

(56) **References Cited**

U.S. PATENT DOCUMENTS

D501,504 S * 2/2005 Yamada 347/86
D509,531 S * 9/2005 Geserich D18/12
(Continued)

Primary Examiner — Susan Bennett Hattan

Assistant Examiner — Suzanne E Tisdell

(74) *Attorney, Agent, or Firm* — HP Inc. Patent Department

(57) **CLAIM**

The ornamental design for a “pen for a printer,” as shown and described.

DESCRIPTION

FIG. 1 is a front perspective view of a first pen for a printer having a first housing and a first insert.

FIG. 2 is a right side view of the first pen for a printer of FIG. 1.

FIG. 3 is a left side view of the first pen for a printer of FIG. 1.

FIG. 4 is a rear view of the first pen for a printer of FIG. 1.

FIG. 5 is a front view of the first pen for a printer of FIG. 1.

FIG. 6 is a top view of the first pen for a printer of FIG. 1.

FIG. 7 is a bottom view of the first pen for a printer of FIG. 1.

FIG. 8 is a front perspective view of the first insert of the first pen for a printer of FIG. 1 shown without the first housing.

FIG. 9 is a right side view of the first insert of the first pen for a printer of FIG. 8.

FIG. 10 is a left side view of the first insert of the first pen for a printer of FIG. 8.

FIG. 11 is a rear view of the first insert of the first pen for a printer of FIG. 8.

FIG. 12 is a front view of the first insert of the first pen for a printer of FIG. 8.

FIG. 13 is a top view of the first insert of the first pen for a printer of FIG. 8.

FIG. 14 is a bottom view of the first insert of the first pen for a printer of FIG. 8.

FIG. 15 is a front perspective view of a second pen for a printer including a second housing and a second insert.

FIG. 16 is a right side view of the second pen for a printer of FIG. 15.

FIG. 17 is a left side view of the second pen for a printer of FIG. 15.

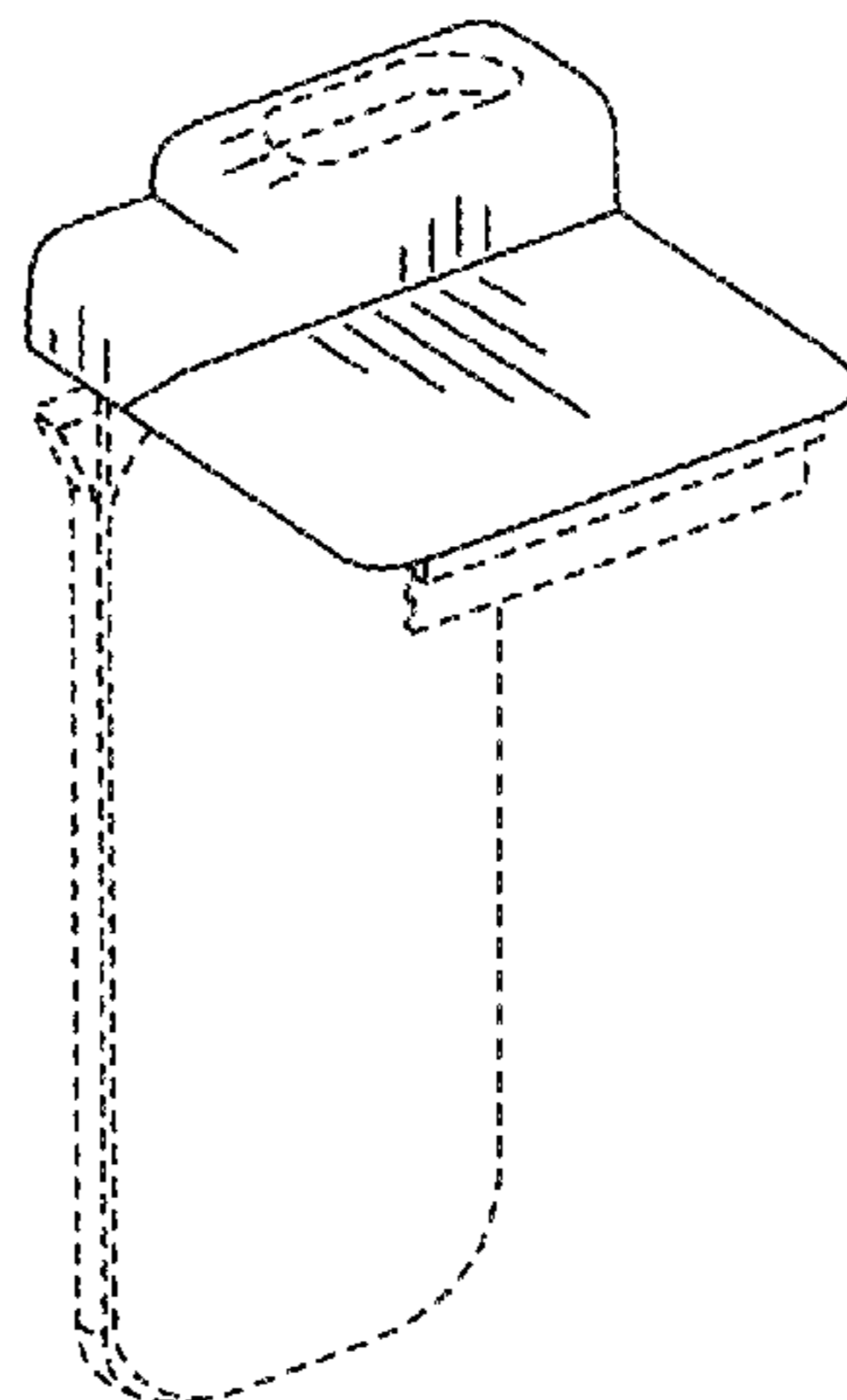
FIG. 18 is a rear view of the second pen for a printer of FIG. 15.

FIG. 19 is a front view of the second pen for a printer of FIG. 15.

FIG. 20 is a top view of the second pen for a printer of FIG. 15; and,
FIG. 21 is a bottom view of the second pen for a printer of FIG. 15.

The features shown in broken lines are environmental structure and form no part of the claimed design.

1 Claim, 12 Drawing Sheets



(58) **Field of Classification Search**

CPC ... B41J 17/32; B41J 33/16; B41J 3/407; B41J
15/16; B41J 15/044; G11B 23/08

See application file for complete search history.

(56) **References Cited**

U.S. PATENT DOCUMENTS

D530,365	S	*	10/2006	Wakayama	347/86
D538,335	S	*	3/2007	Chang	D18/56
D549,280	S	*	8/2007	Morino	347/86
D570,905	S	*	6/2008	Yuen	347/86
D597,595	S	*	8/2009	Nip	D18/56
D602,076	S	*	10/2009	Saikawa	D18/56
D603,895	S	*	11/2009	Hattori	D18/56
D627,818	S	*	11/2010	Ishizawa	347/86
D648,779	S	*	11/2011	Saito	D18/43
D677,721	S	*	3/2013	Kawate	D18/56
D681,728	S	*	5/2013	Takagi	347/86
D682,929	S	*	5/2013	Aoki	D18/56
D692,052	S	*	10/2013	Ishizawa	D18/56
D741,403	S	*	10/2015	O'Reilly	D18/56
D759,154	S	*	6/2016	Williamson	D18/43
D761,353	S	*	7/2016	Oya	D18/56
D762,260	S	*	7/2016	Oya	D18/56
D762,261	S	*	7/2016	Takagiwa	D18/56
D767,672	S	*	9/2016	Nanjo	D18/56
D767,673	S	*	9/2016	Nanjo	D18/56
D767,674	S	*	9/2016	Nanjo	D18/56
2007/0212151	A1	*	9/2007	Innocenti	B41J 3/4075 400/244
2008/0151425	A1	*	6/2008	Vanderheyden	G11B 23/08728 360/132
2008/0213023	A1	*	9/2008	Koizumi	B41J 17/32 400/208

* cited by examiner

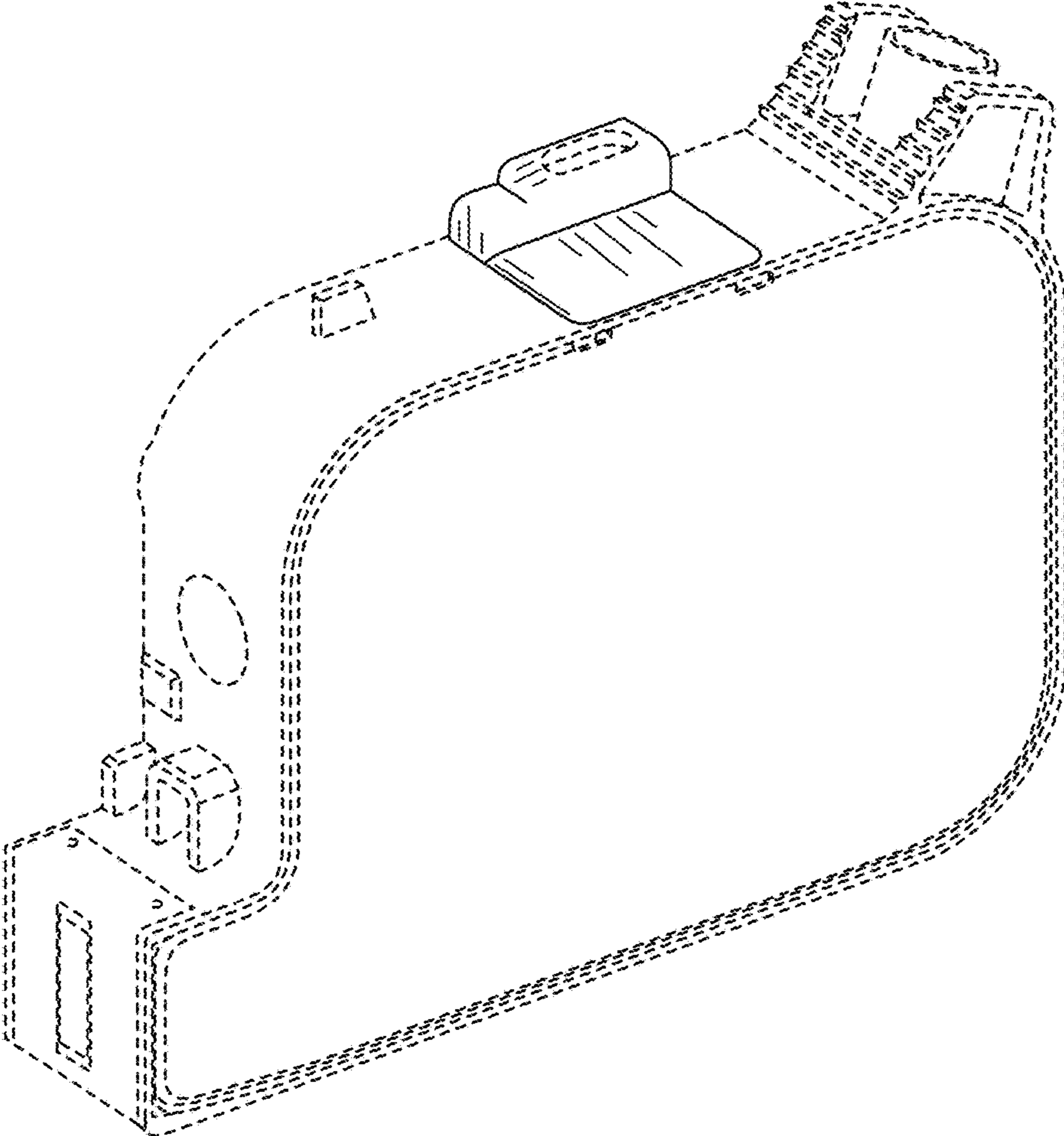


FIG. 1

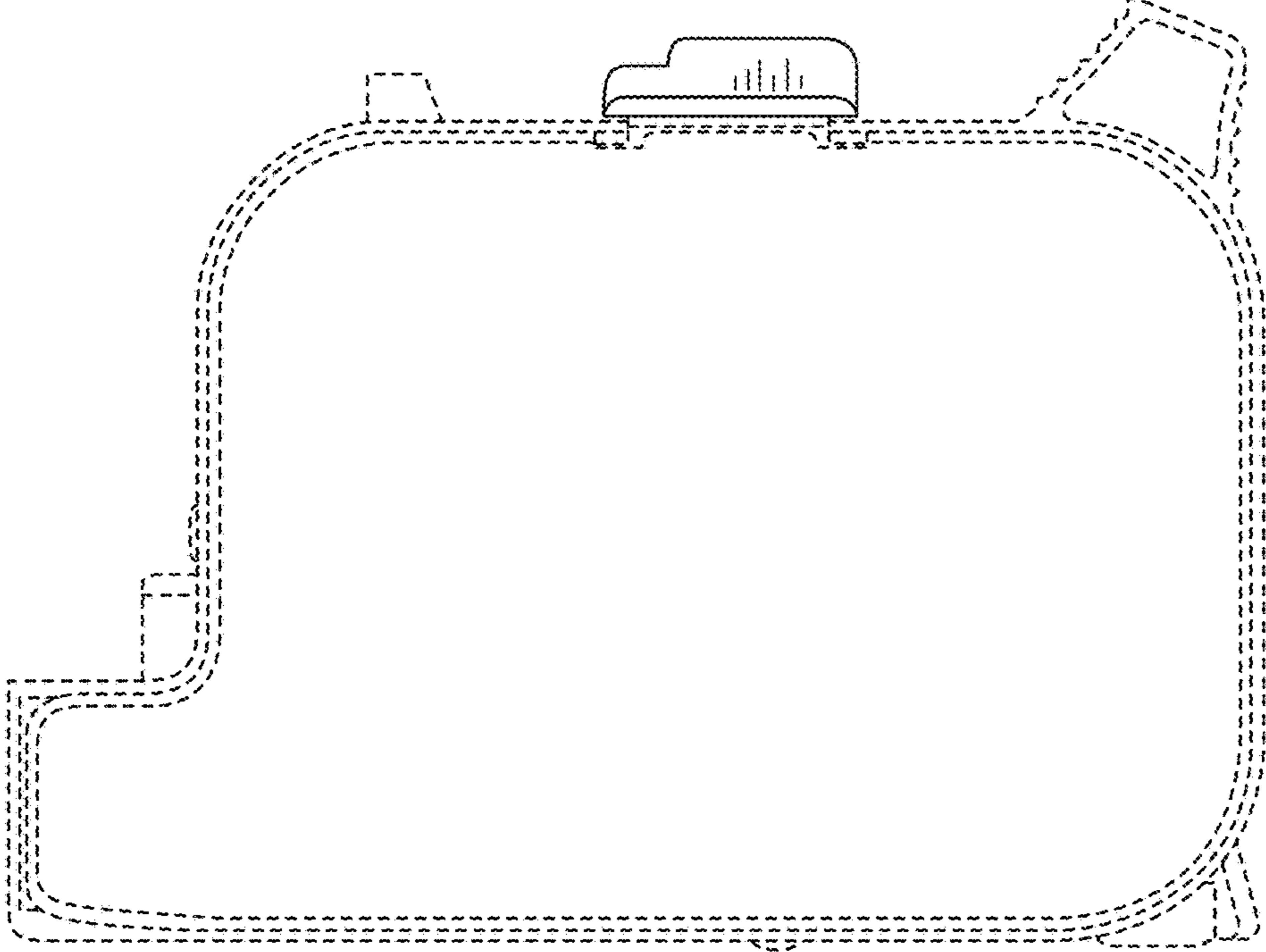


FIG. 2

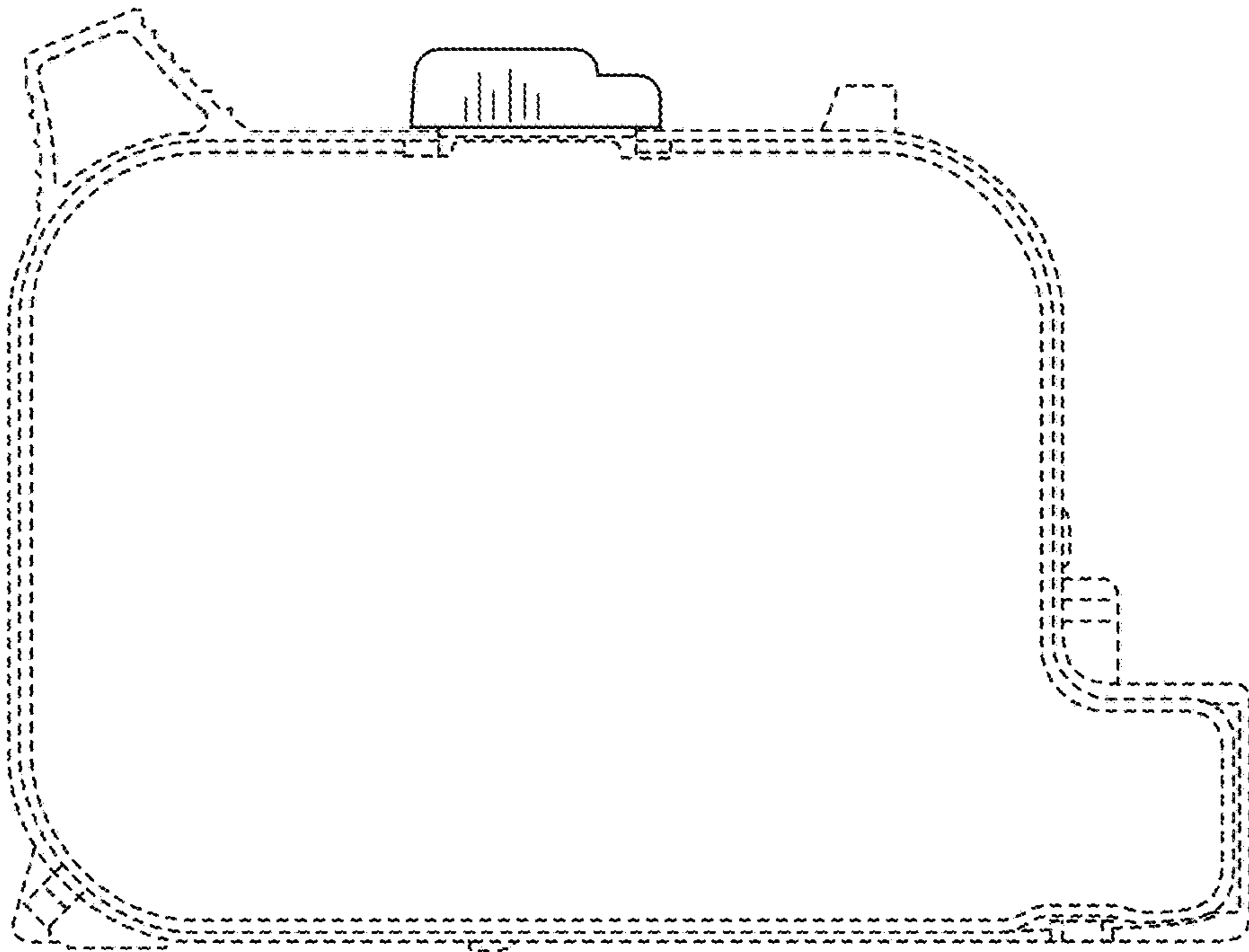


FIG. 3

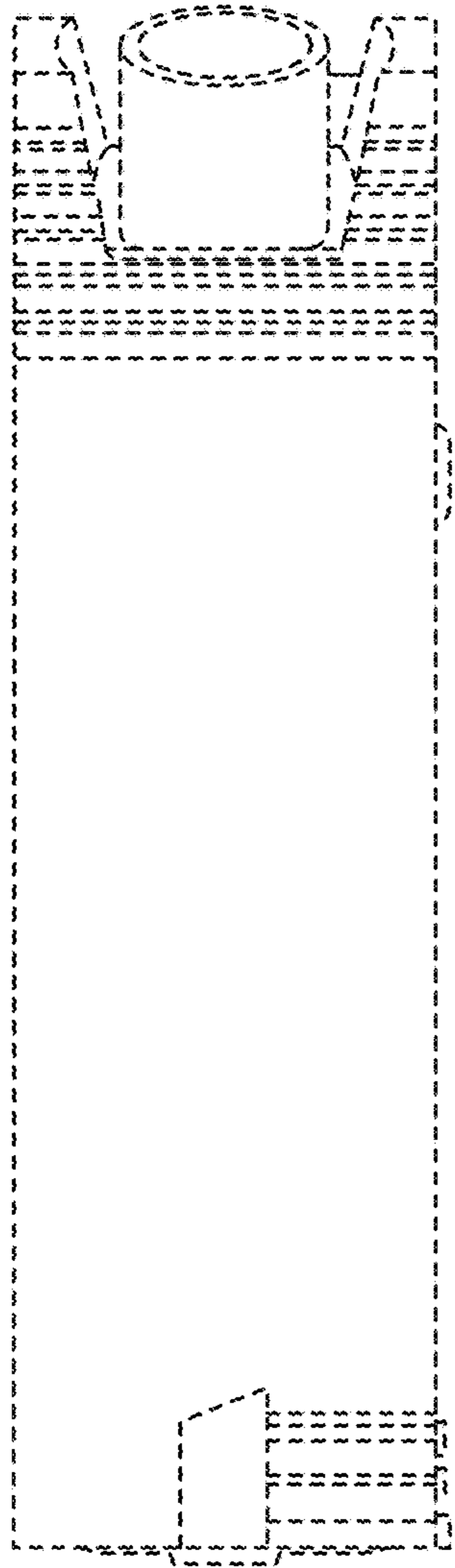


FIG. 4

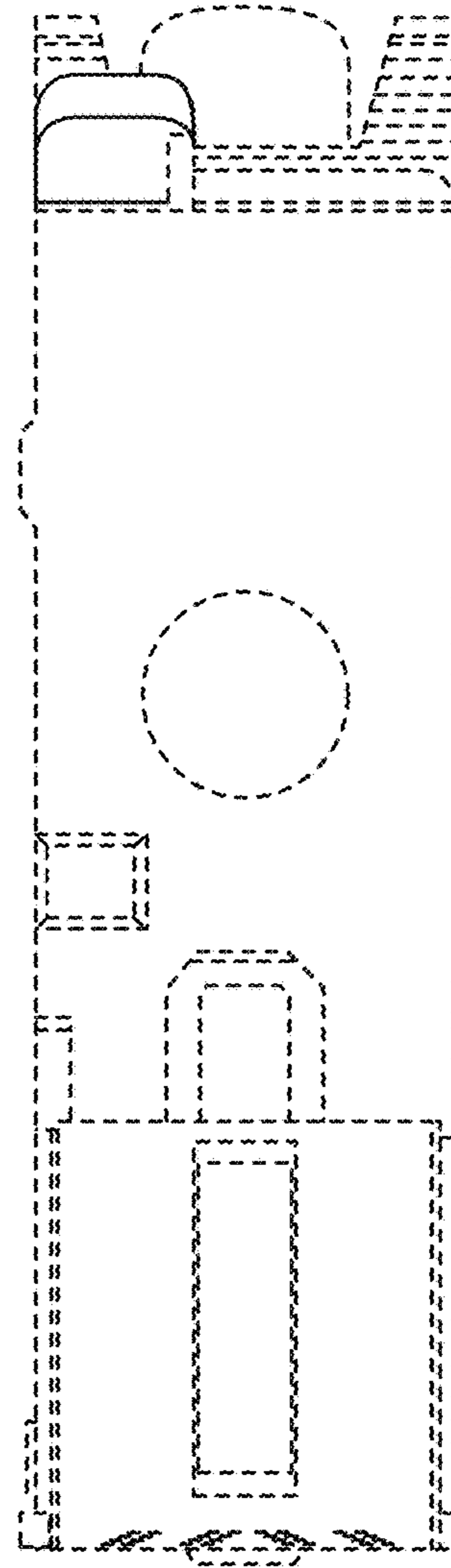


FIG. 5

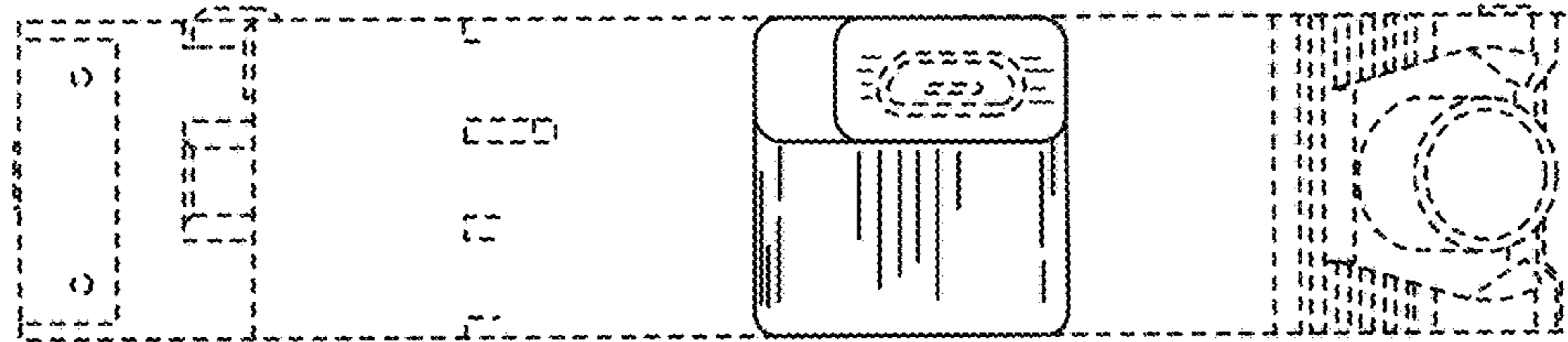


FIG. 6

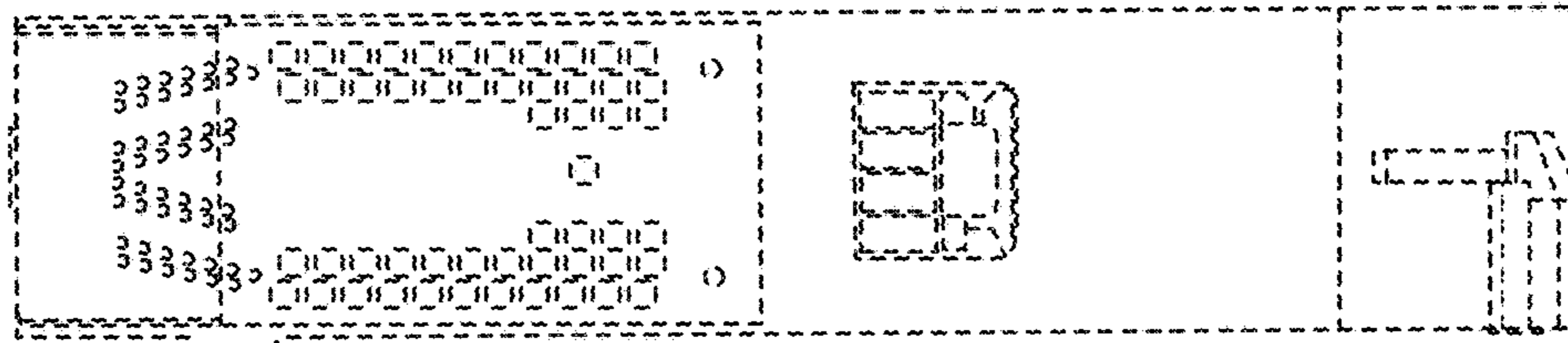


FIG. 7

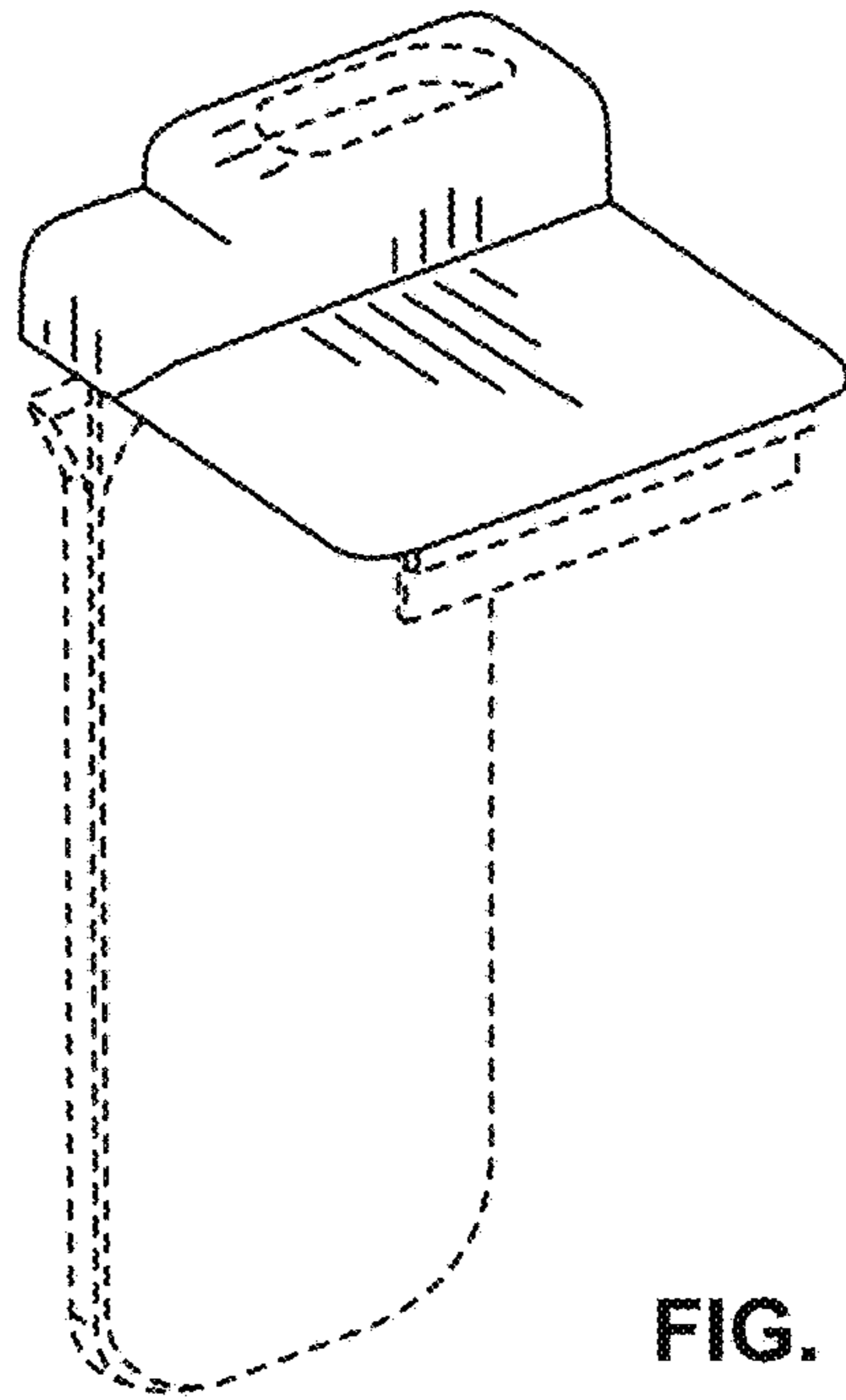


FIG. 8

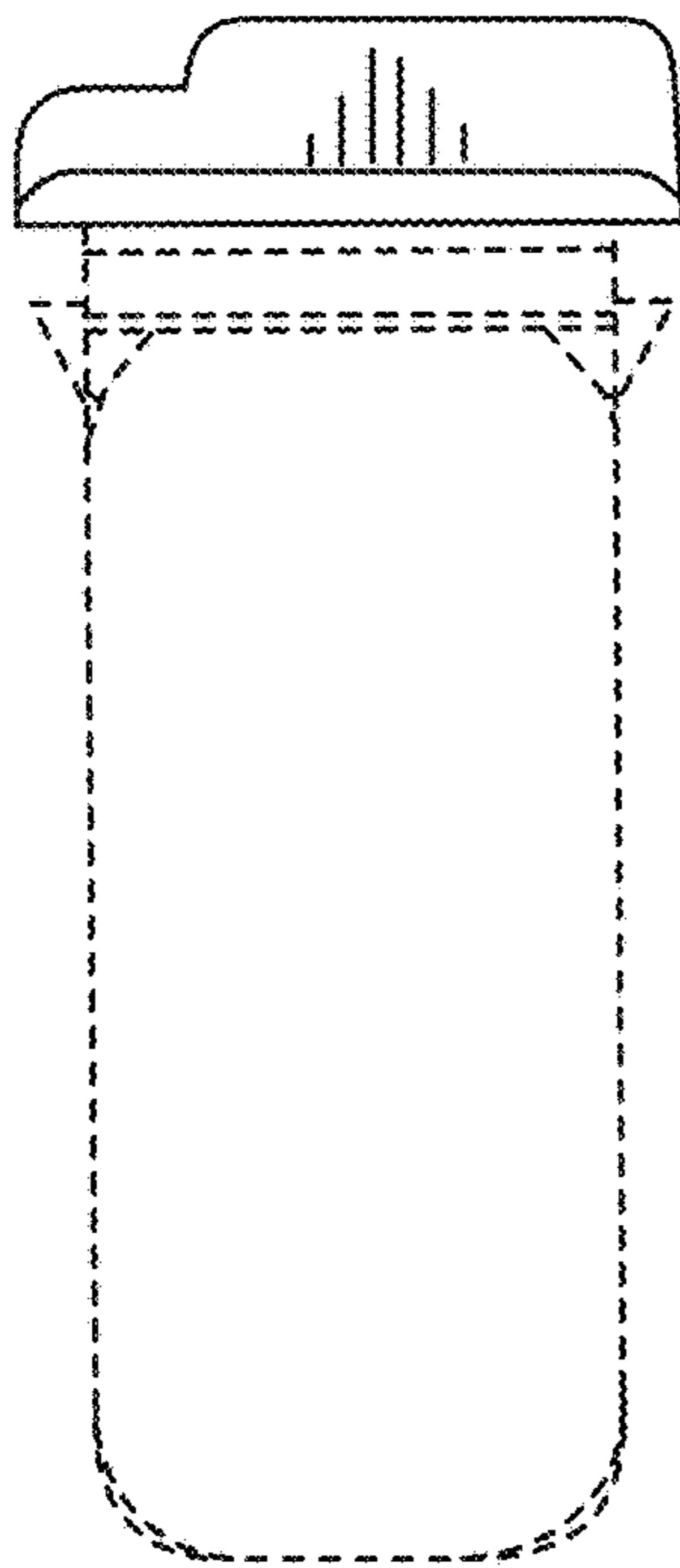


FIG. 9

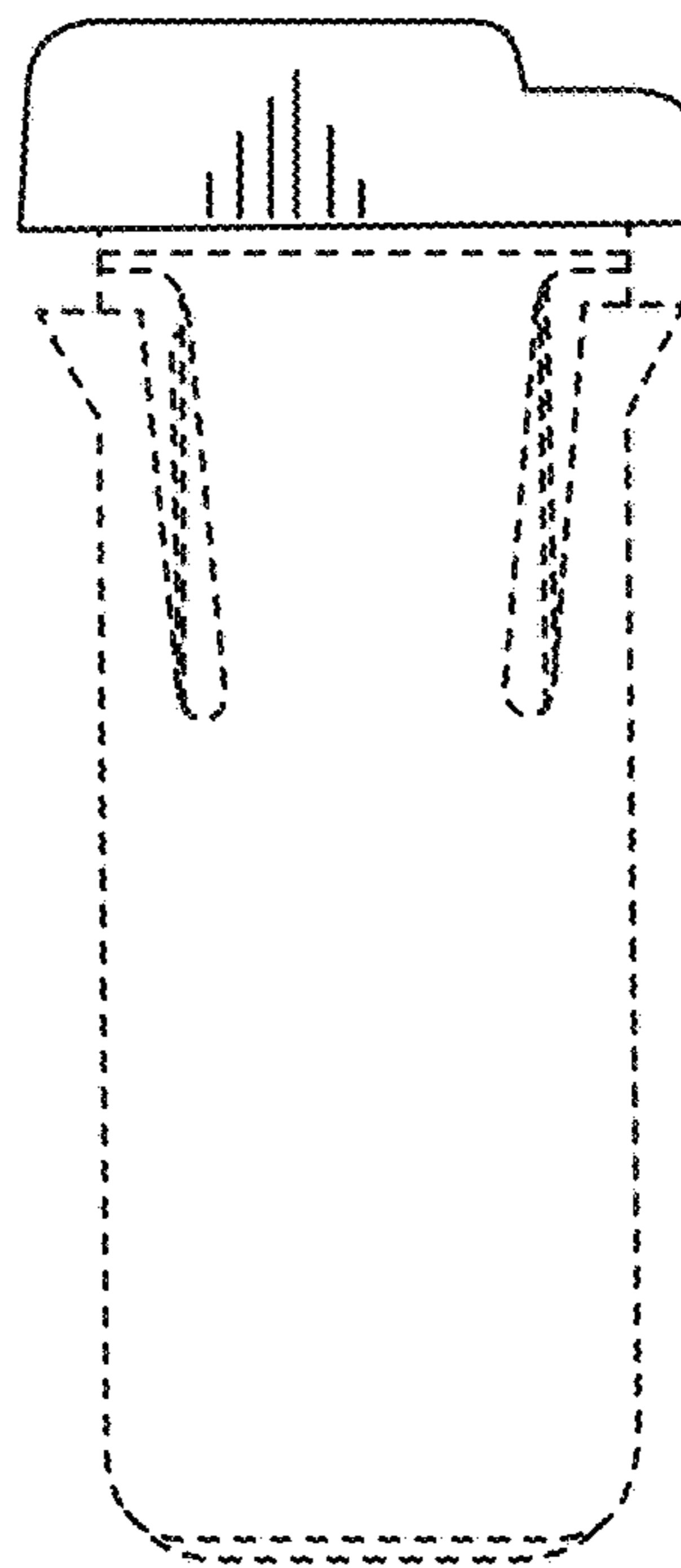


FIG. 10

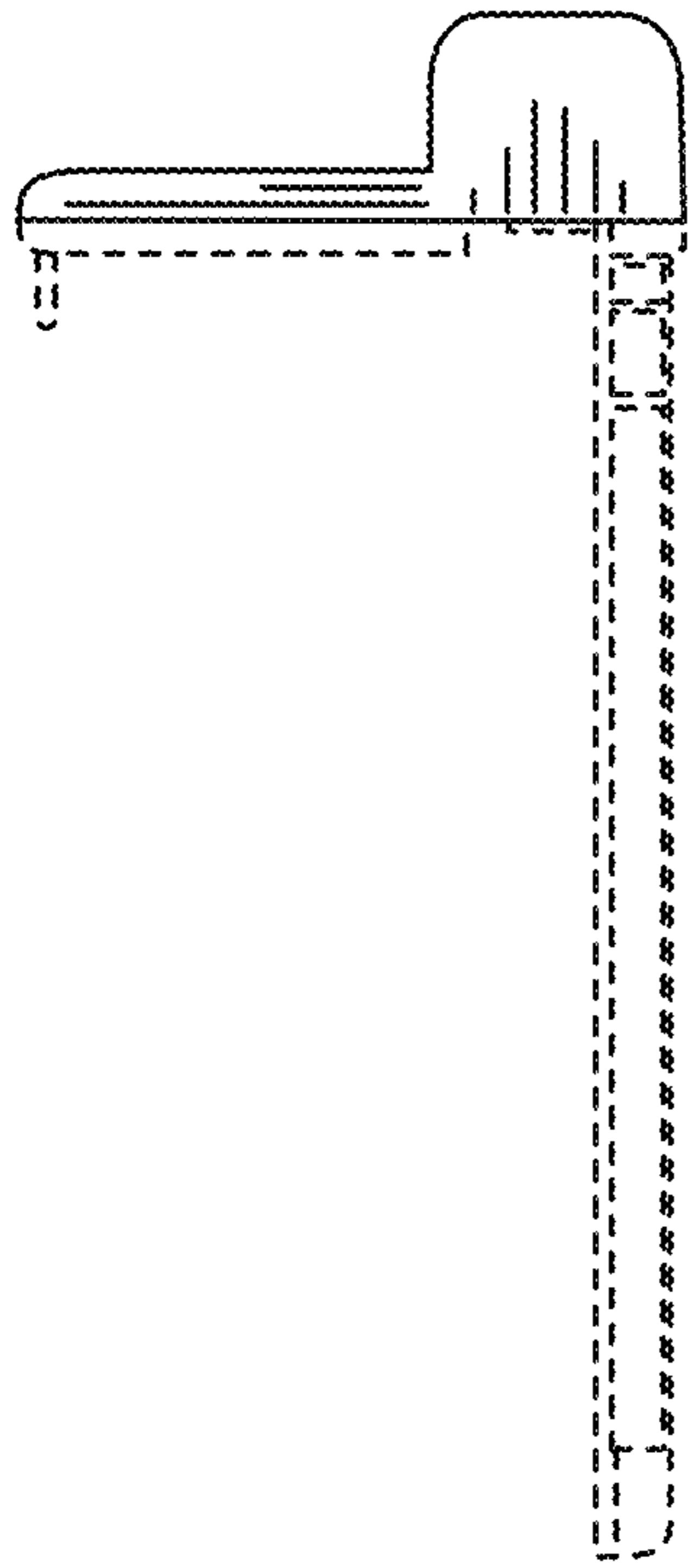


FIG. 11

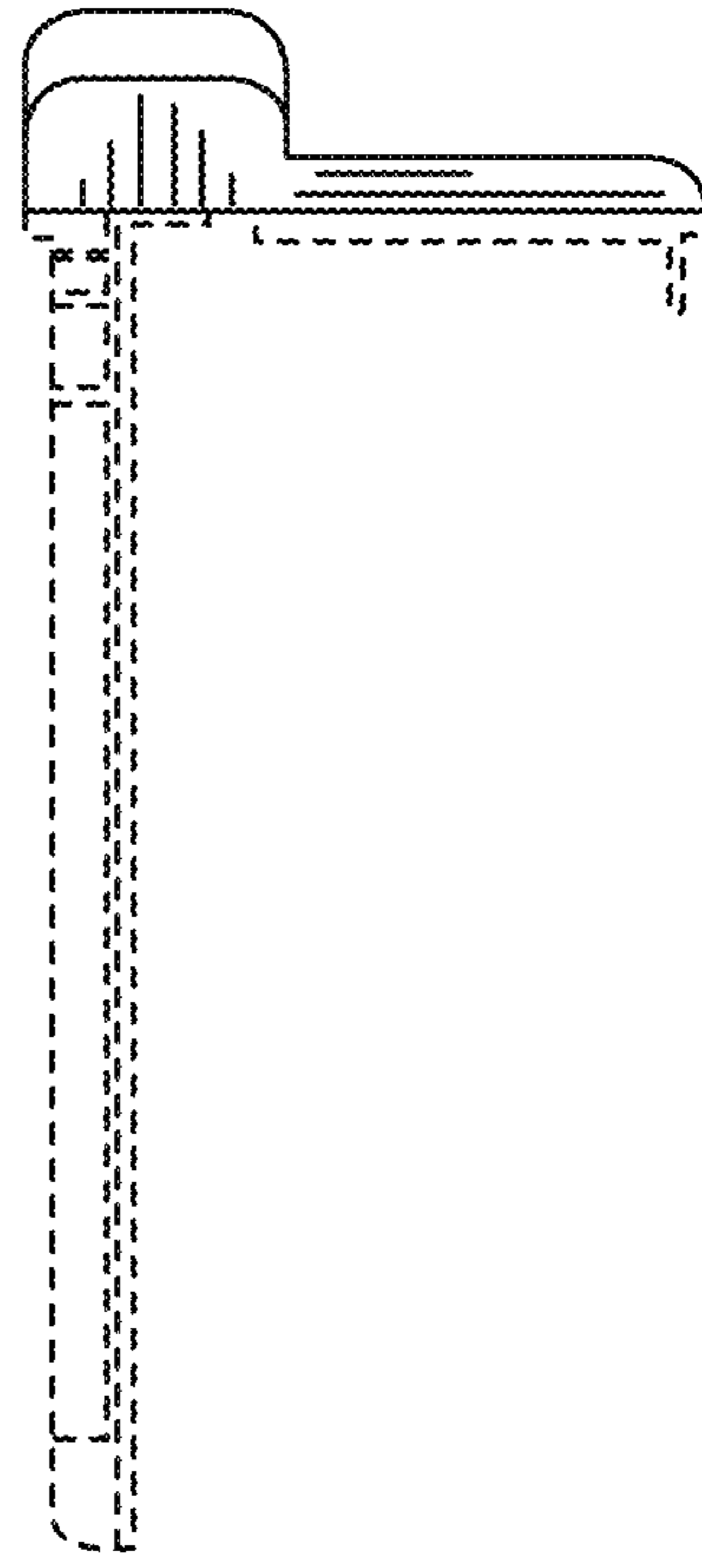


FIG. 12

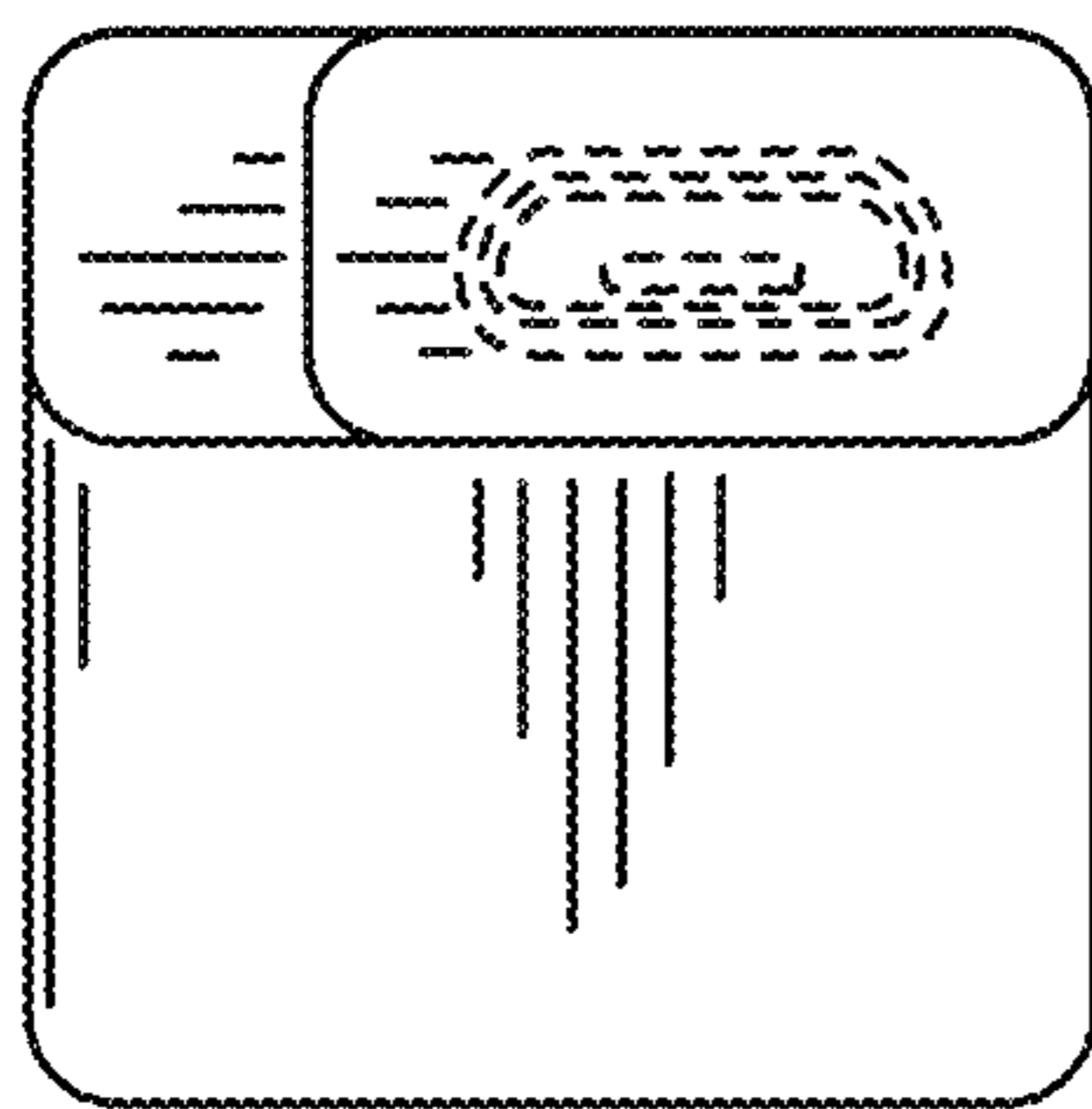


FIG. 13

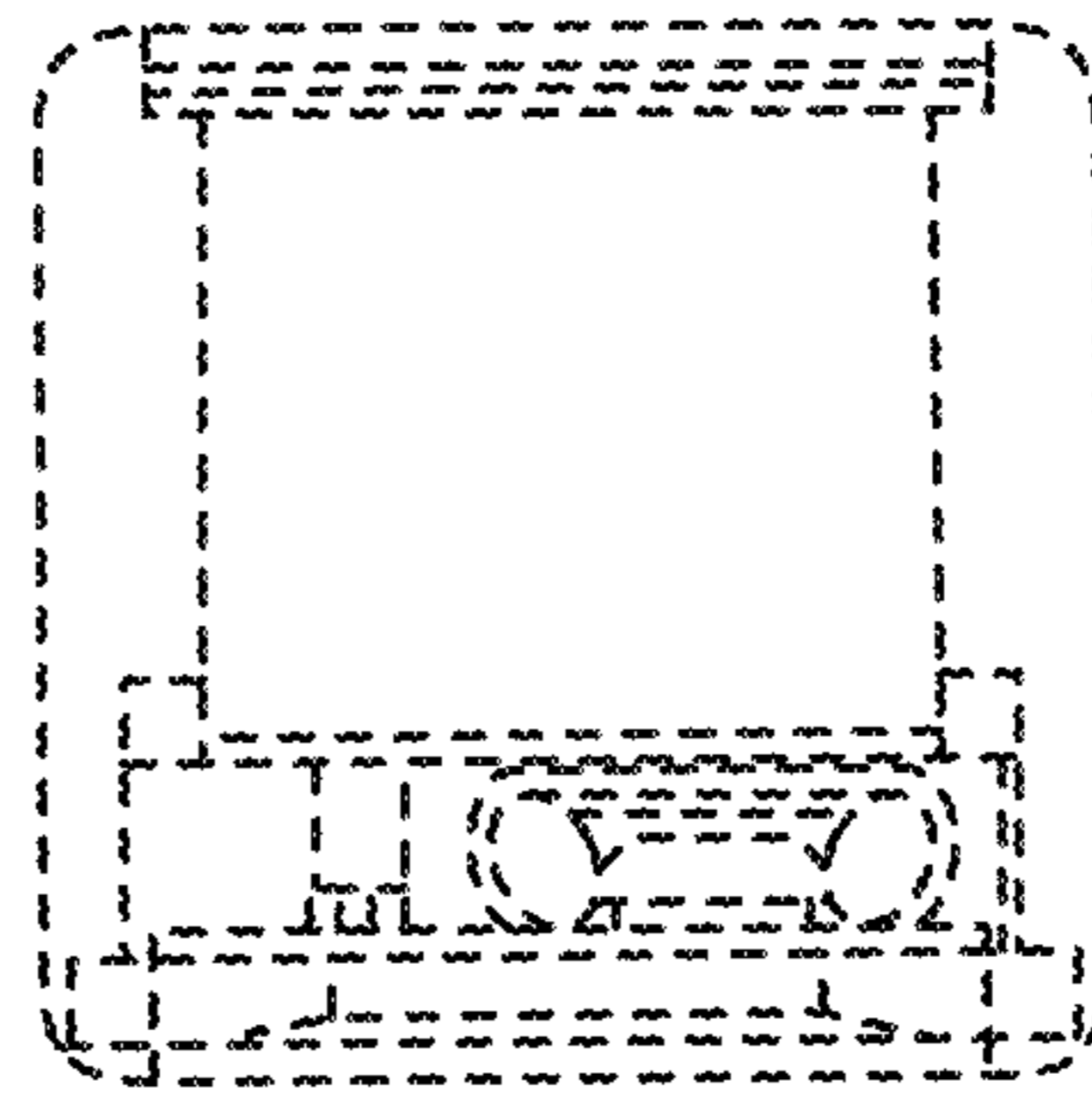


FIG. 14

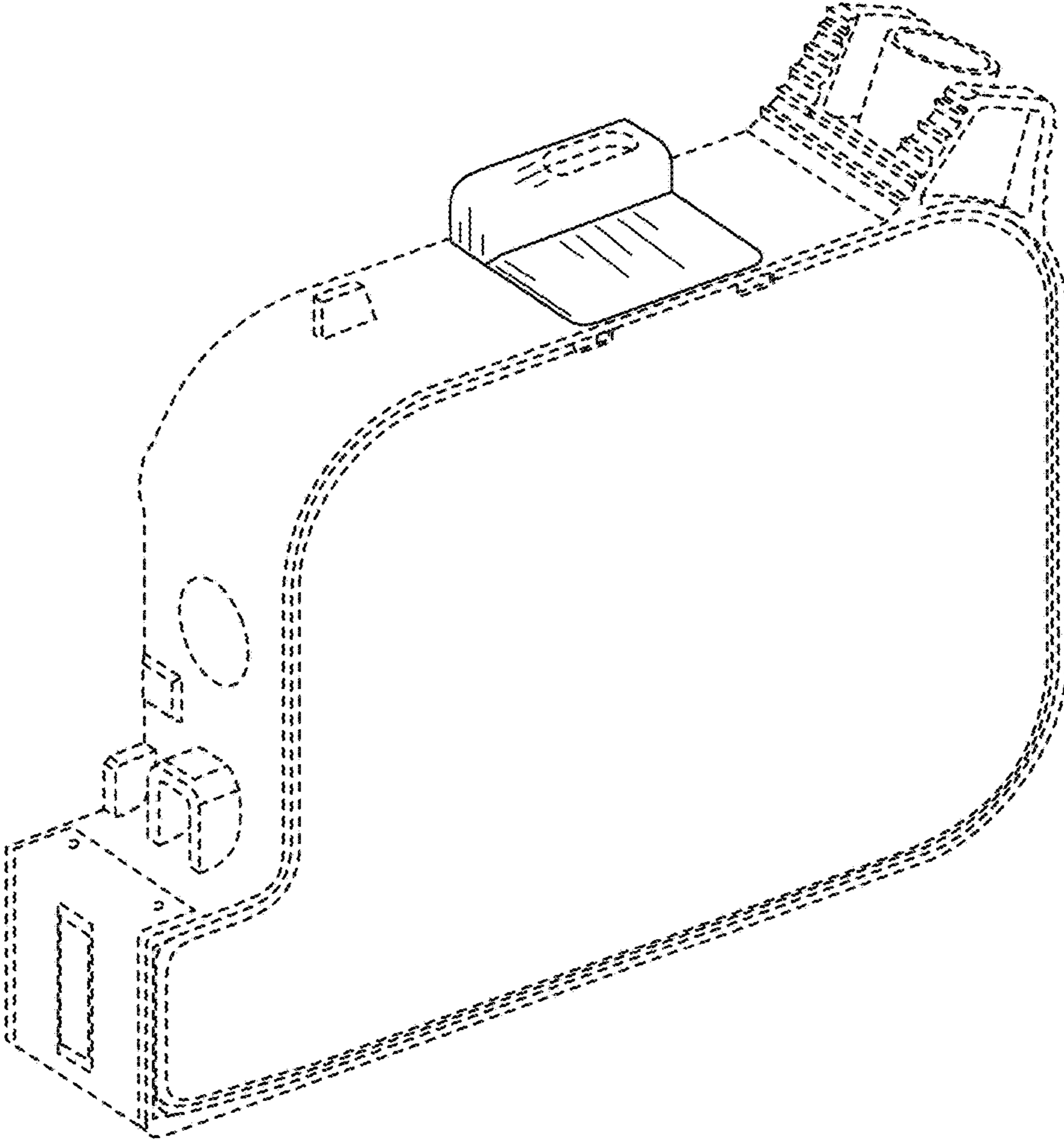


FIG. 15

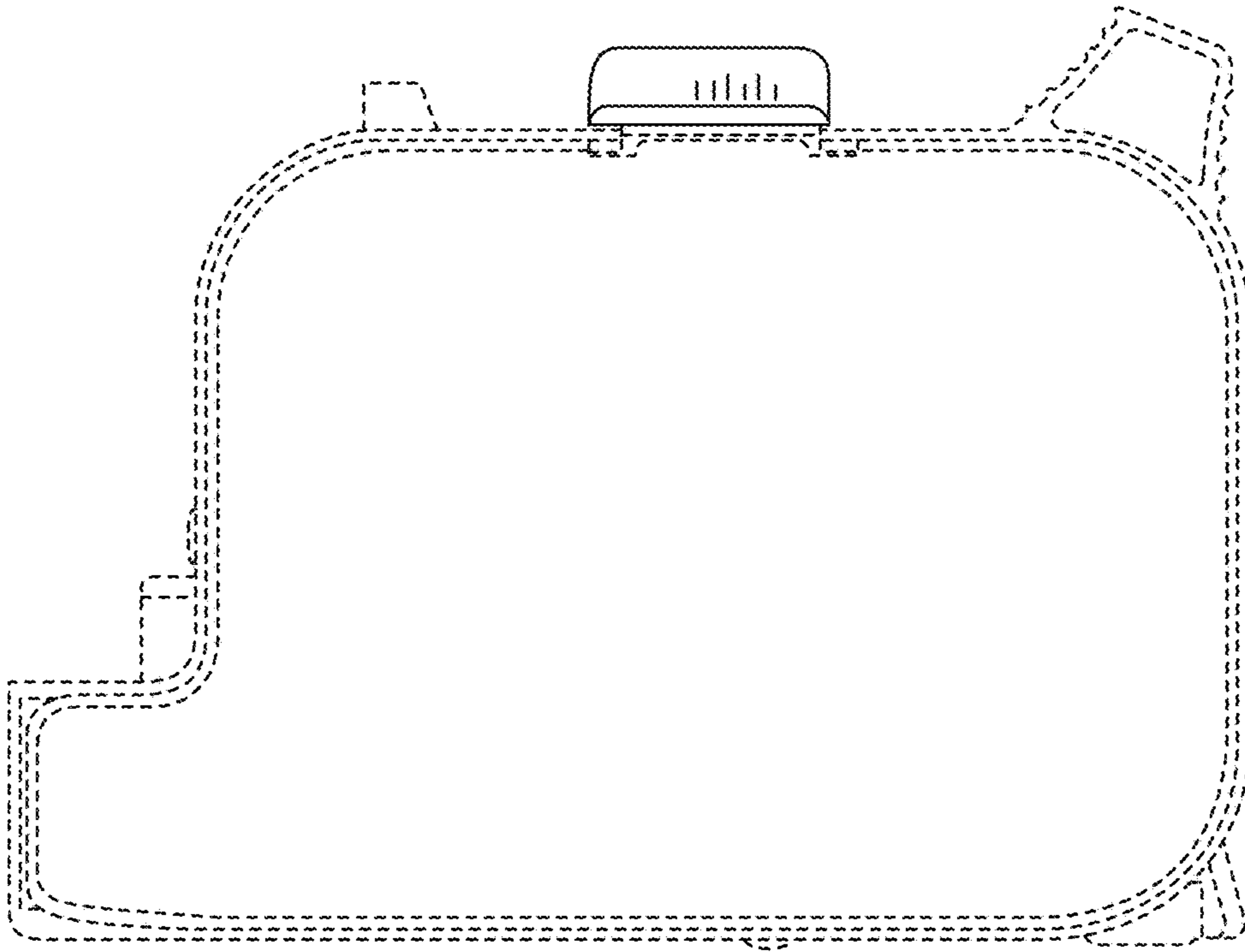


FIG. 16

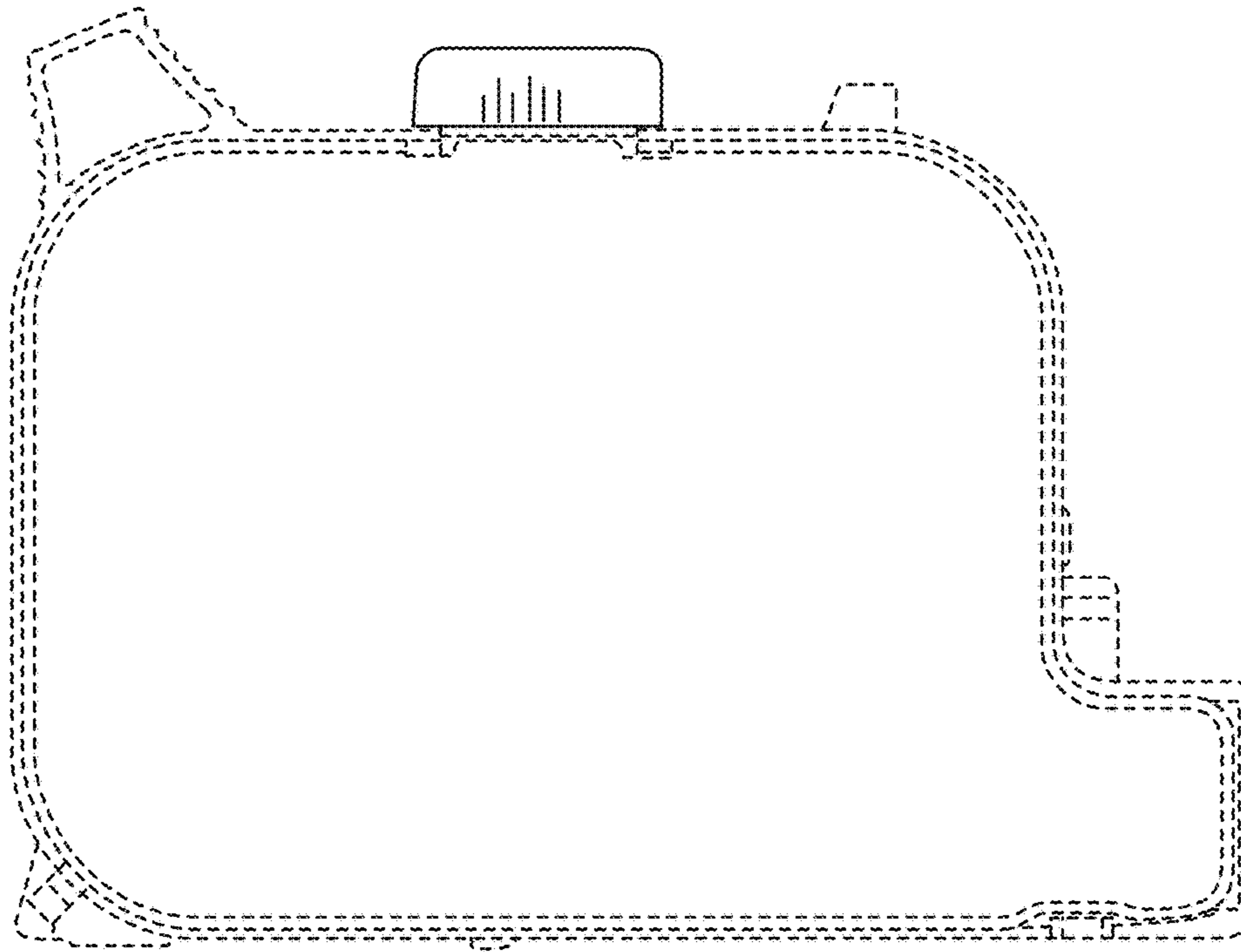


FIG. 17

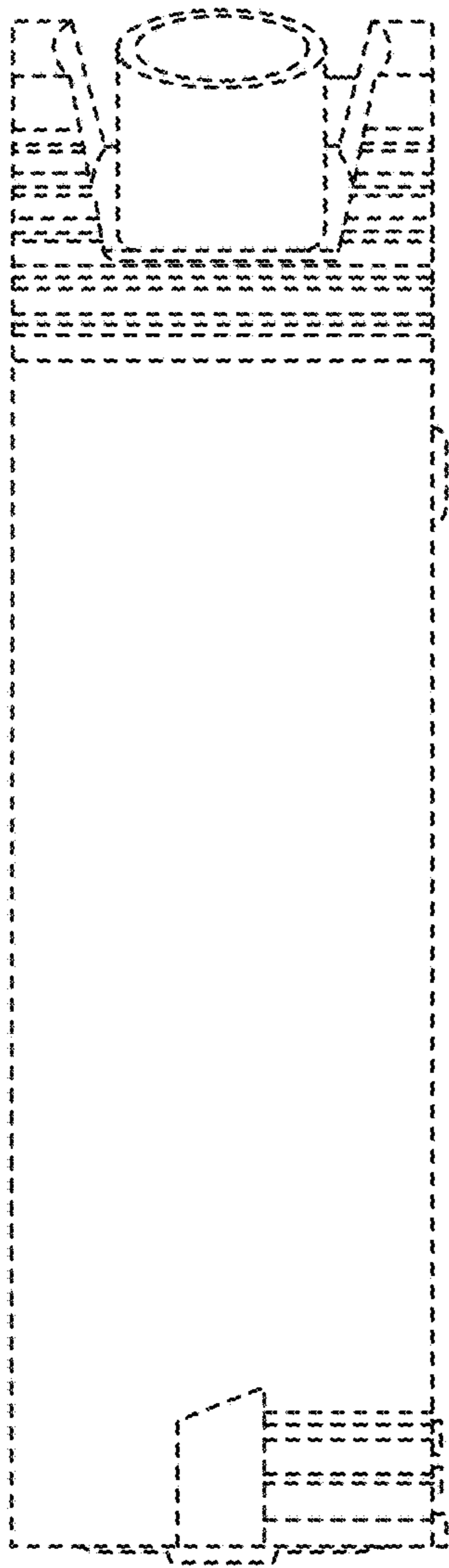


FIG. 18

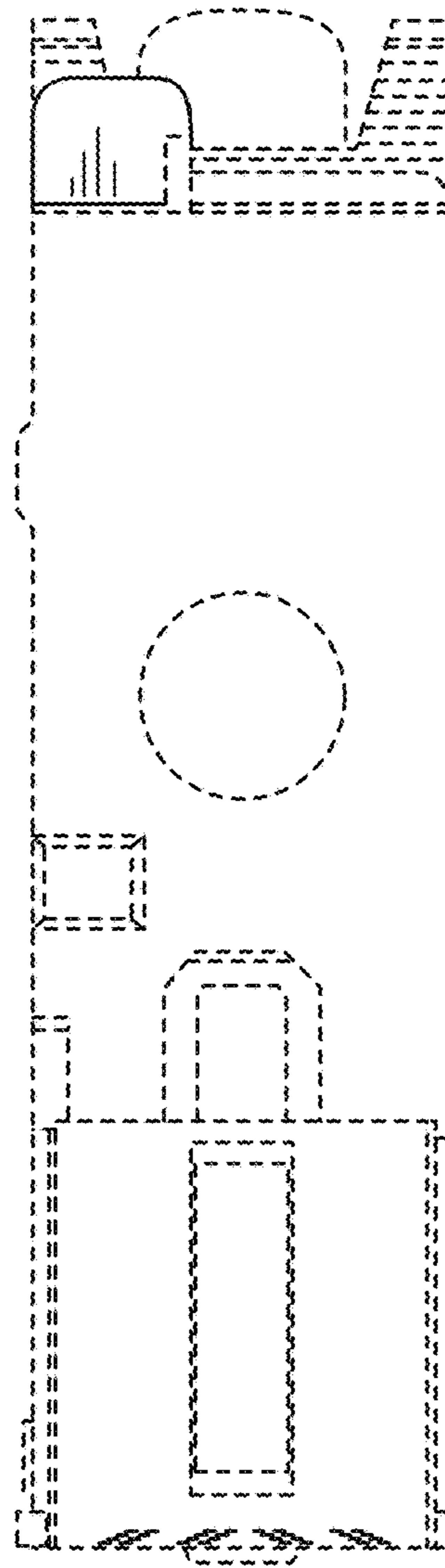


FIG. 19

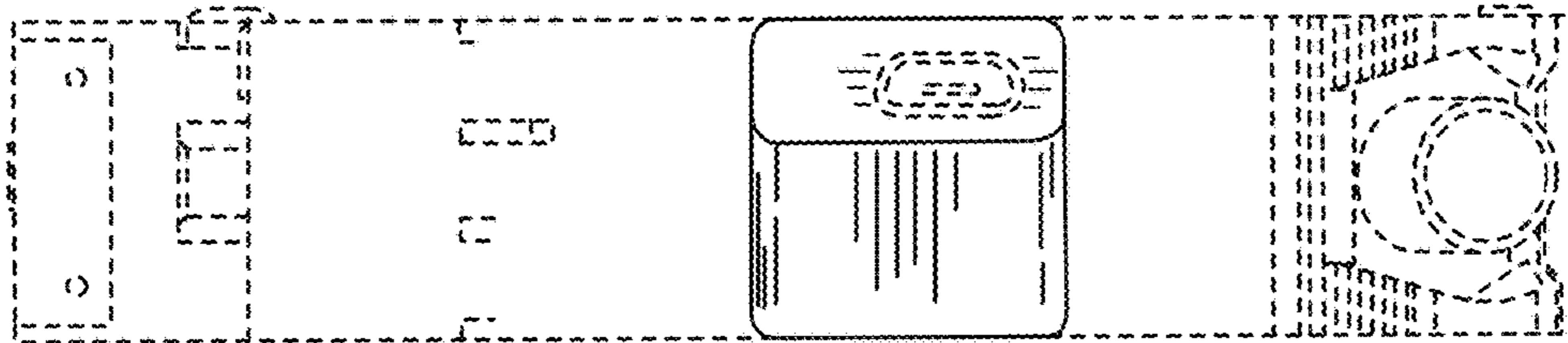


FIG. 20

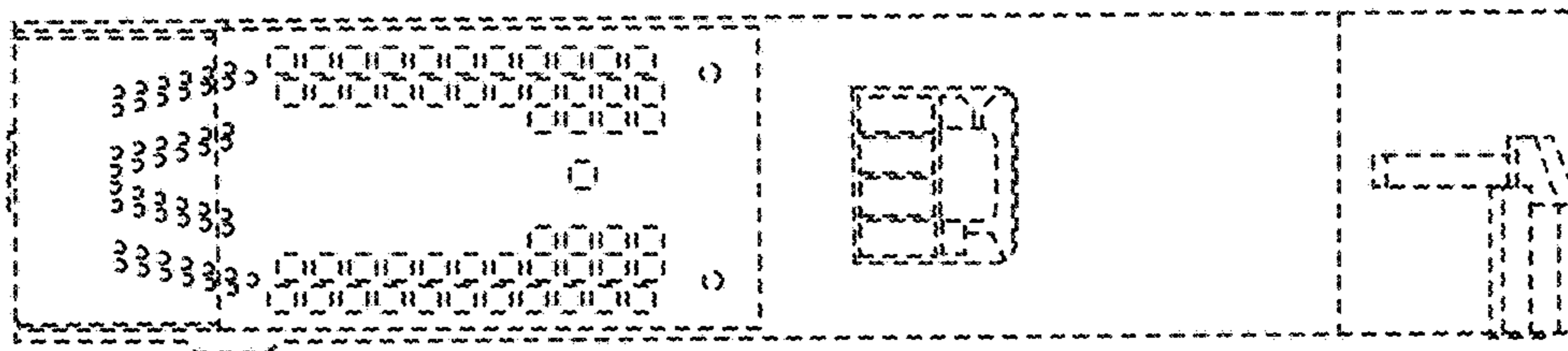


FIG. 21