

US00D841085S

(12) **United States Design Patent**  
**Higuchi et al.**

(10) **Patent No.:** **US D841,085 S**

(45) **Date of Patent:** **\*\* Feb. 19, 2019**

(54) **PRINTER**

(71) Applicant: **SEIKO EPSON CORPORATION,**  
Tokyo (JP)

(72) Inventors: **Tomoyuki Higuchi,** Shiojiri (JP); **Koji Kawai,** Shiojiri (JP); **Hideki Kato,** Matsumoto (JP); **Matt Delegate,** London (GB); **Kazunori Takabayashi,** Okaya (JP)

(73) Assignee: **SEIKO EPSON CORPORATION,**  
Tokyo (JP)

(\*\*) Term: **15 Years**

(21) Appl. No.: **29/605,646**

(22) Filed: **May 29, 2017**

(30) **Foreign Application Priority Data**

Nov. 30, 2016 (JP) ..... 2016-025934  
Nov. 30, 2016 (JP) ..... 2016-025935  
Feb. 7, 2017 (JP) ..... 2017-002126

(51) **LOC (11) Cl.** ..... **14-02**

(52) **U.S. Cl.**  
USPC ..... **D18/50**

(58) **Field of Classification Search**  
USPC ..... D18/50, 36-37, 19, 54; D14/203.1  
CPC ..... B41J 15/042; B41J 11/58; G60K 15/12  
See application file for complete search history.

(56) **References Cited**

**U.S. PATENT DOCUMENTS**

D614,234 S \* 4/2010 Ishikawa ..... D18/55  
D678,402 S \* 3/2013 Sato ..... D18/50  
D730,437 S \* 5/2015 Seki ..... D18/50

D737,895 S \* 9/2015 Nanno ..... D18/50  
D823,940 S \* 7/2018 Himeno ..... D18/50  
D827,705 S \* 9/2018 Gosselin ..... D18/34.3  
2017/0182813 A1 \* 6/2017 Suzuki ..... B41J 2/01  
2018/0178567 A1 \* 6/2018 Takabayashi ..... B41J 29/02  
2018/0194142 A1 \* 7/2018 Tanaka ..... B41J 2/17566

\* cited by examiner

*Primary Examiner* — Robin V Webster

*Assistant Examiner* — J. Thorn, Sr.

(57) **CLAIM**

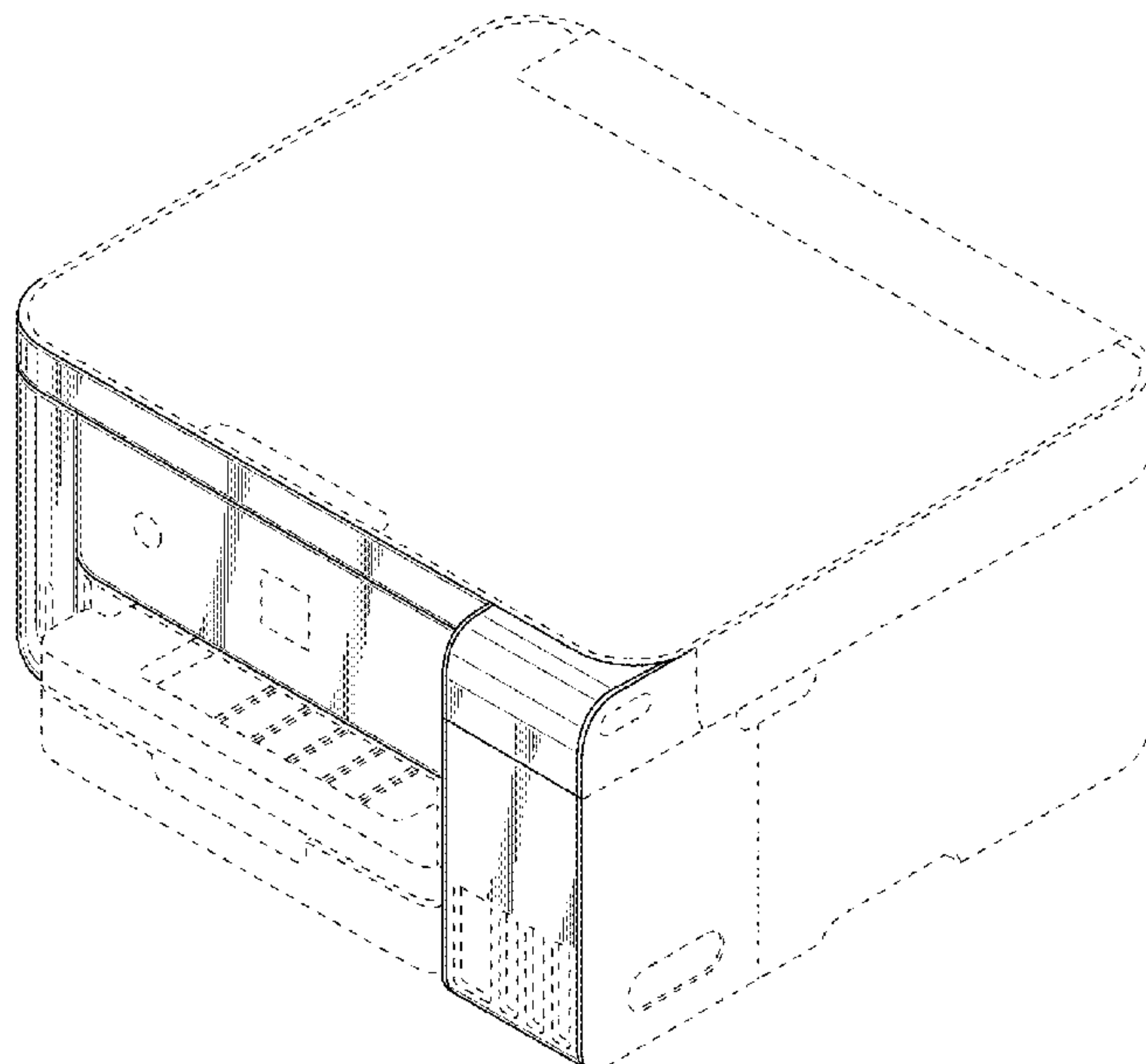
The ornamental design for a printer, as shown and described.

**DESCRIPTION**

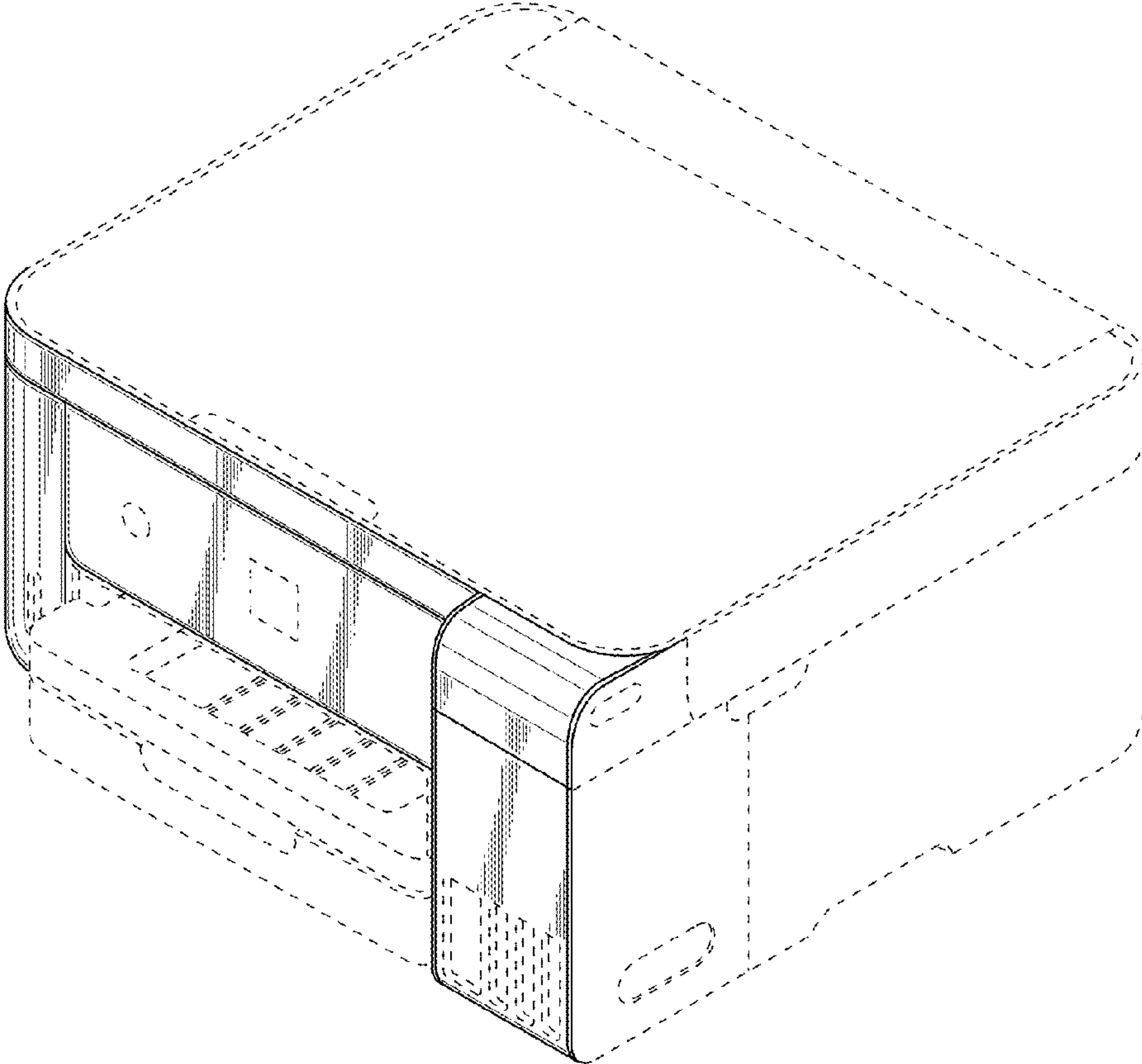
FIG. 1 is a front, top, and right side perspective view of a first embodiment of a printer showing our new design; FIG. 2 is a rear, top, and left side perspective view thereof; FIG. 3 is a front view thereof; FIG. 4 is a rear view thereof; FIG. 5 is a top plan view thereof; FIG. 6 is a bottom plan view thereof; FIG. 7 is a right side view thereof; FIG. 8 is a left side view thereof; FIG. 9 is a front, top, and right side perspective view of a second embodiment of a printer showing our new design; FIG. 10 is a rear, top, and left side perspective view thereof; FIG. 11 is a front view thereof; FIG. 12 is a rear view thereof; FIG. 13 is a top plan view thereof; FIG. 14 is a bottom plan view thereof; FIG. 15 is a right side view thereof; and, FIG. 16 is a left side view thereof.

The uniformly-dashed lines illustrate portions of the printer and form no part of the claimed design. The dash-dotted lines denote the boundary of the claim and form no part of the claimed design.

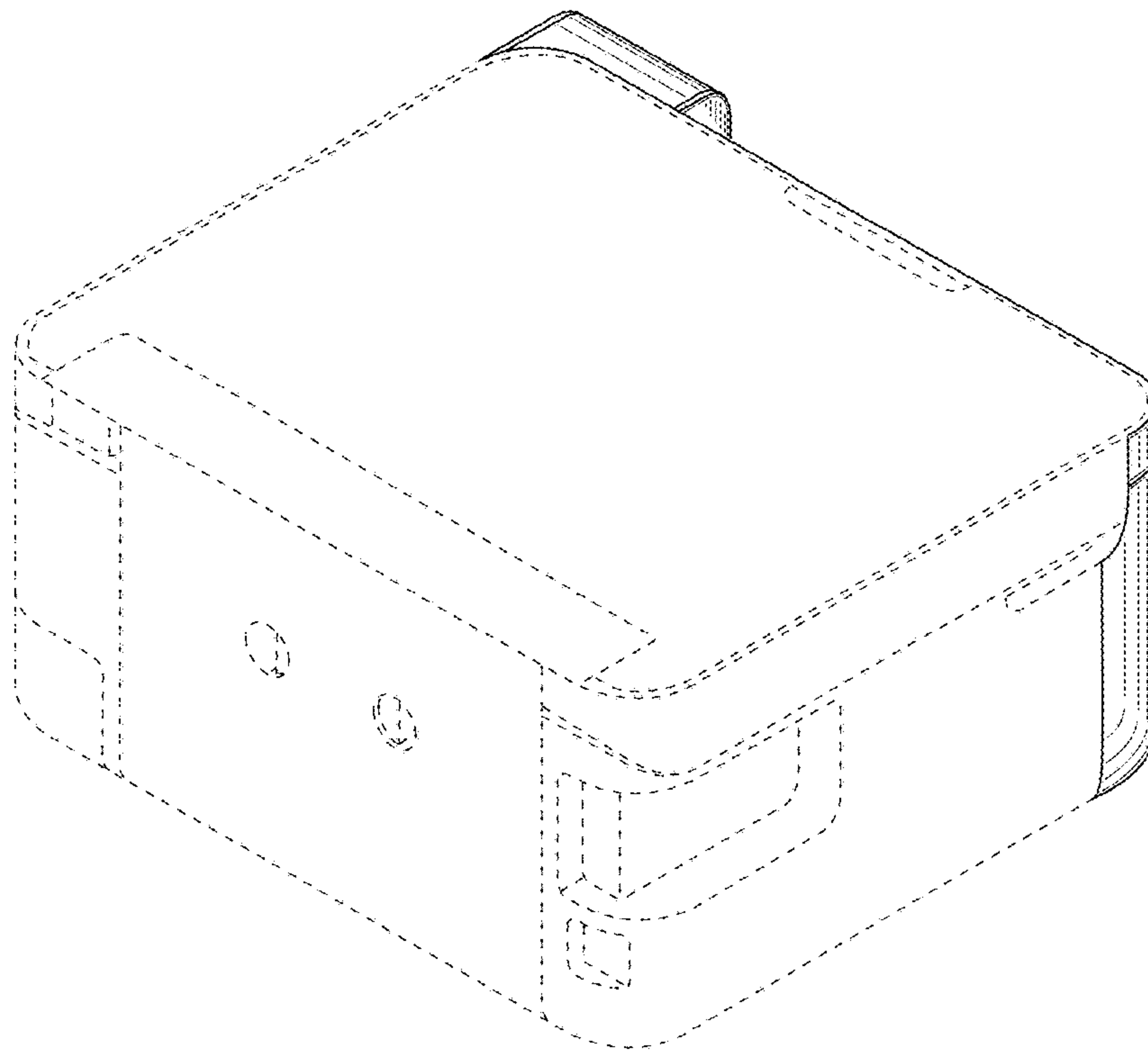
**1 Claim, 16 Drawing Sheets**



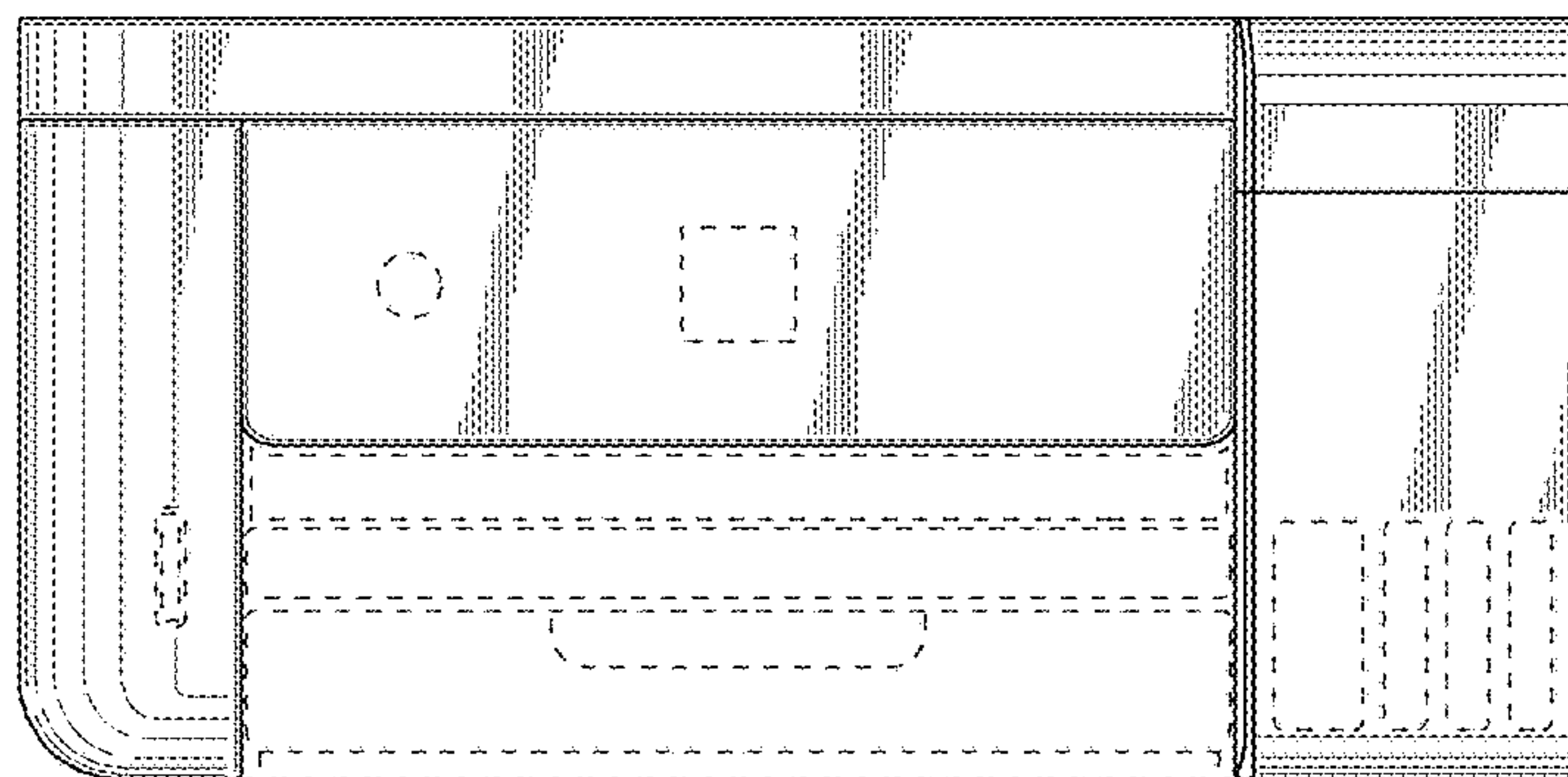
*FIG. 1*



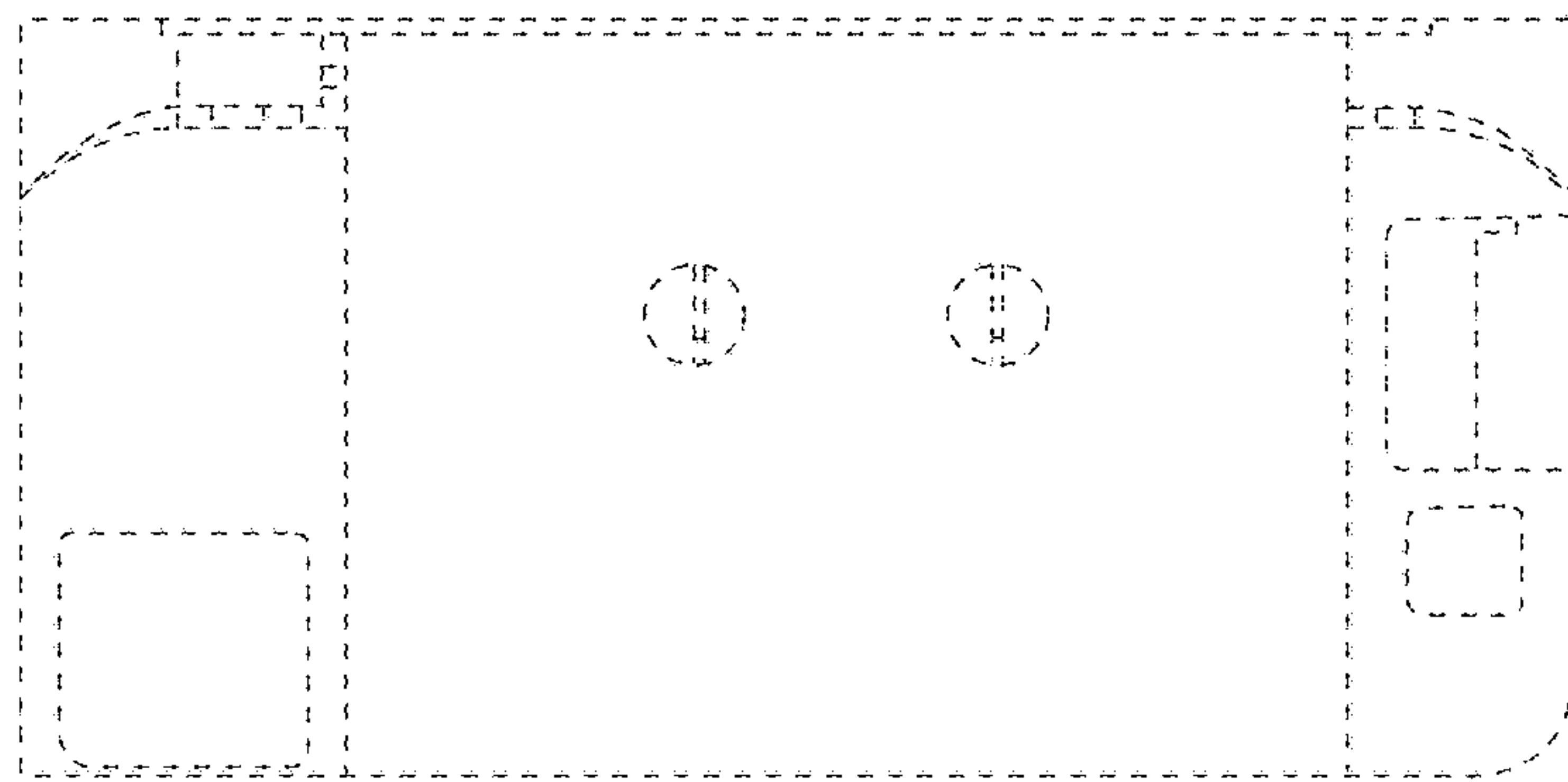
*FIG. 2*



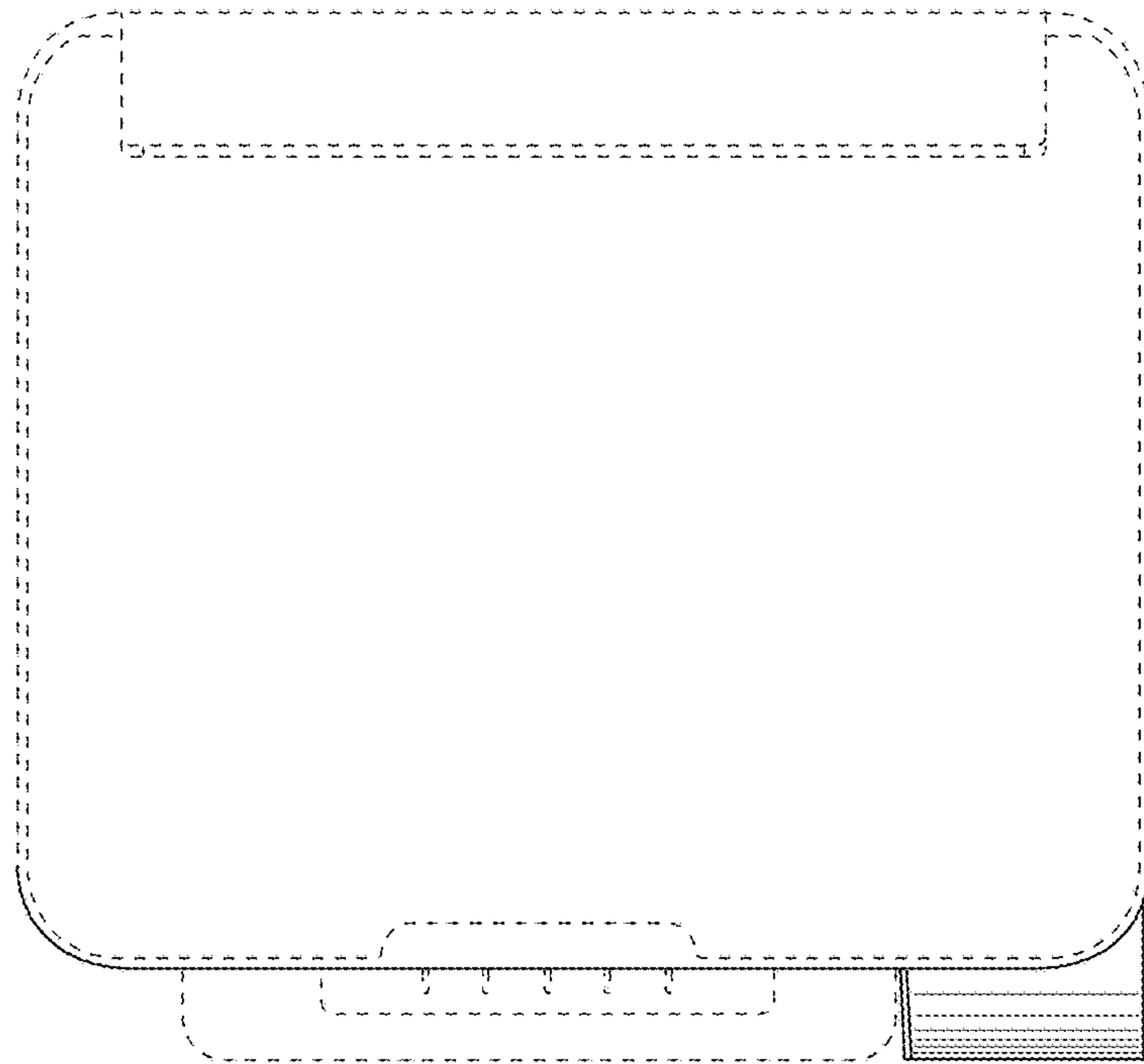
*FIG. 3*



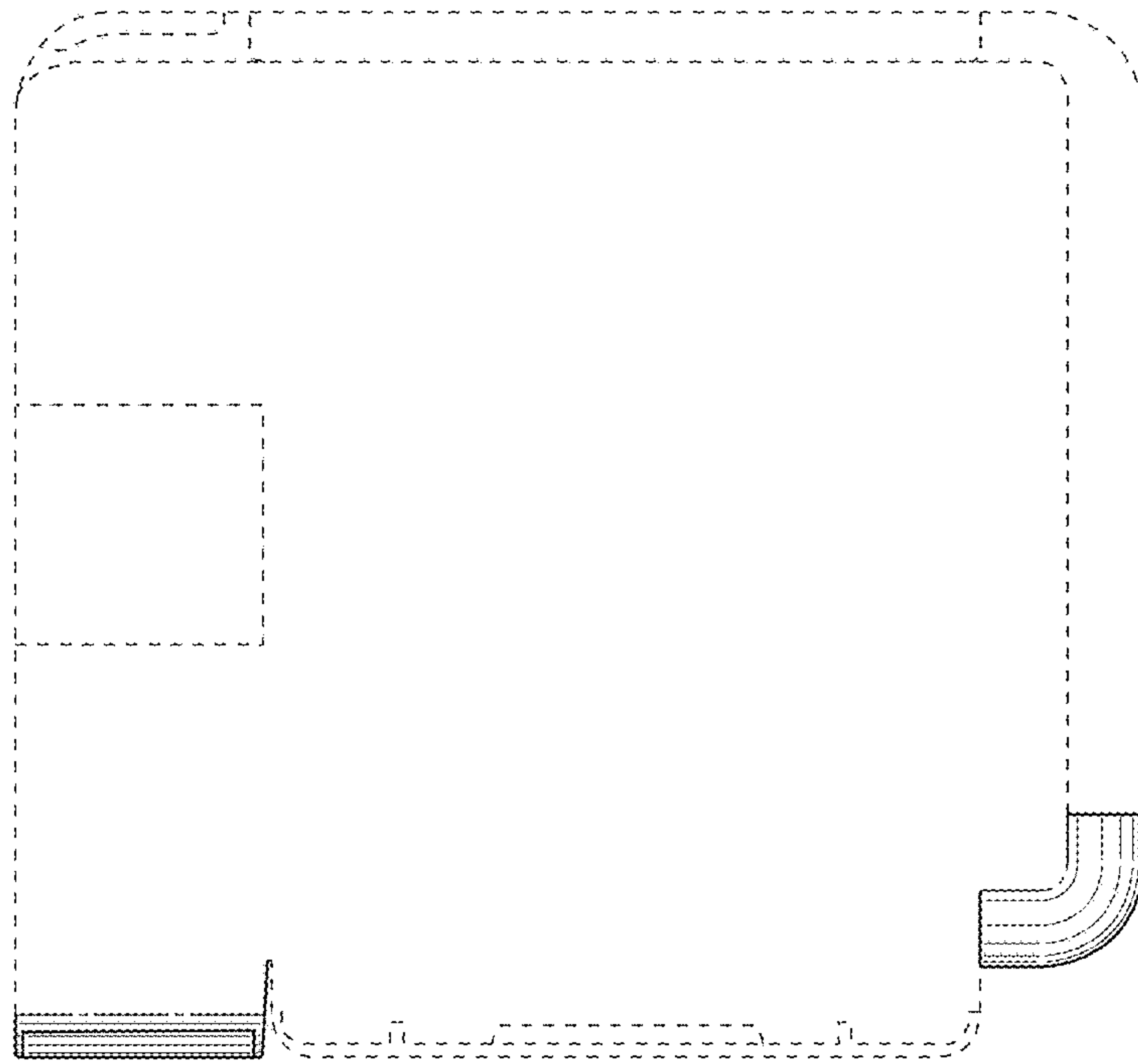
*FIG. 4*



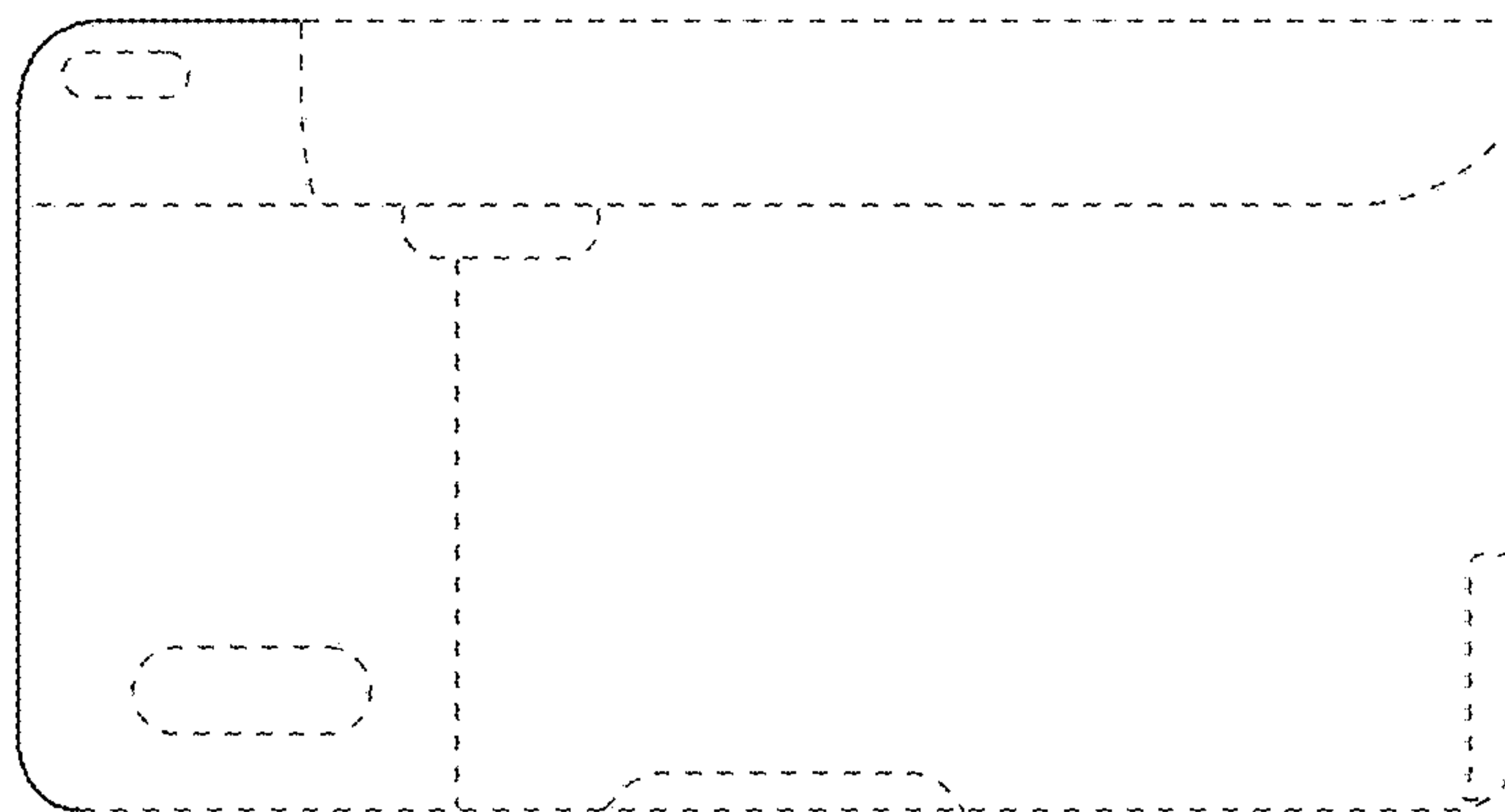
*FIG. 5*



*FIG. 6*

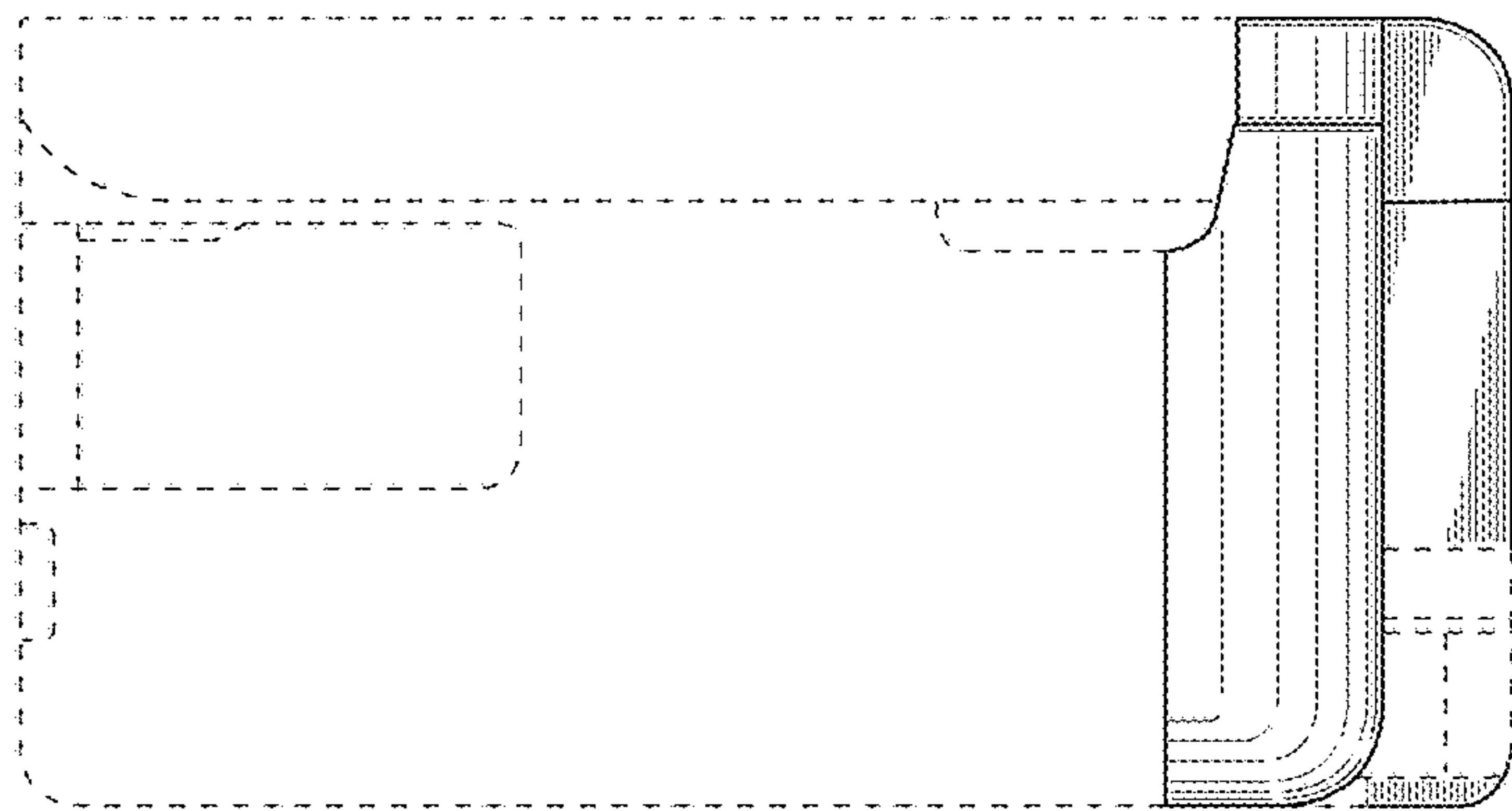


*FIG. 7*

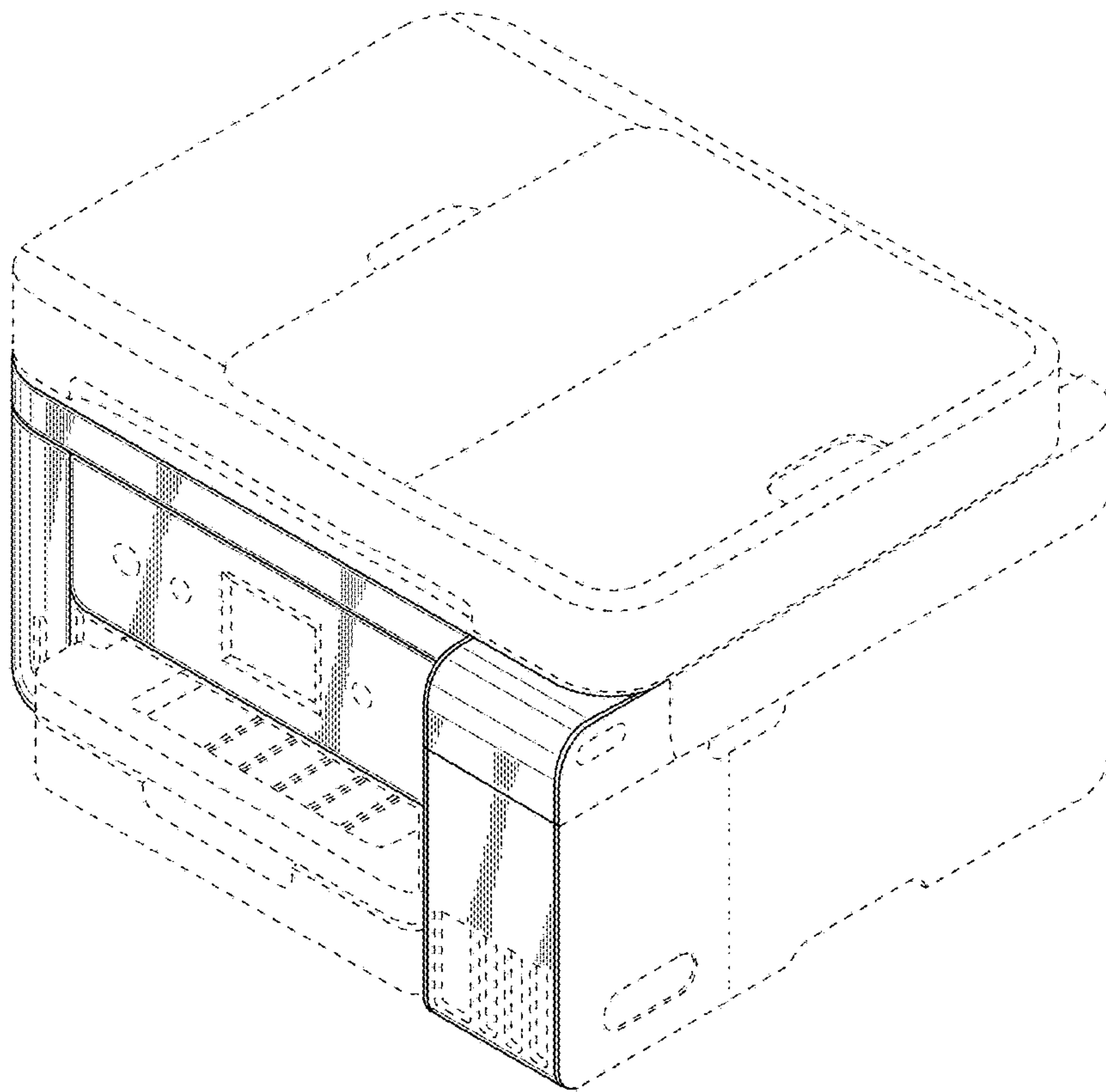




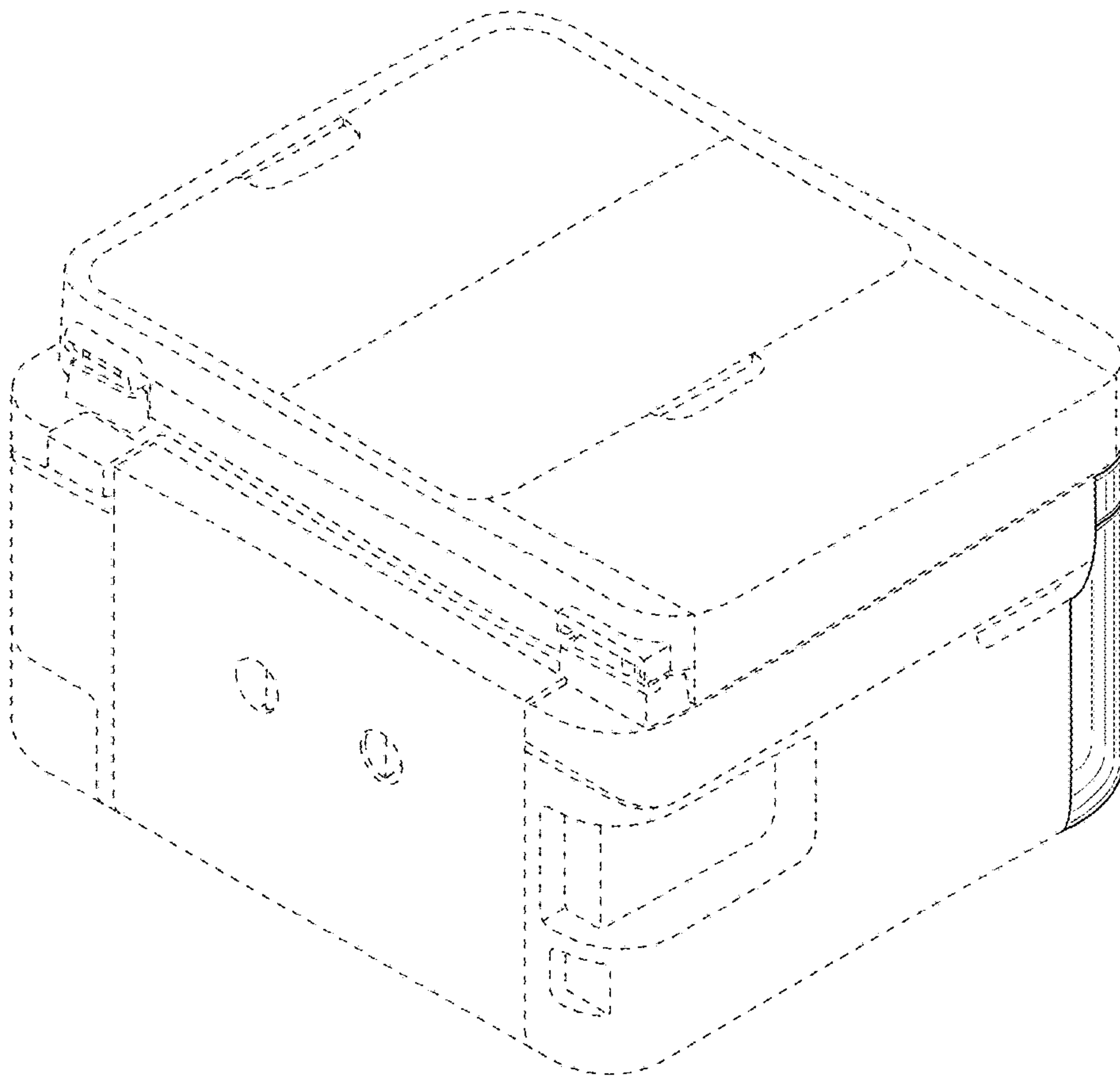
*FIG. 8*



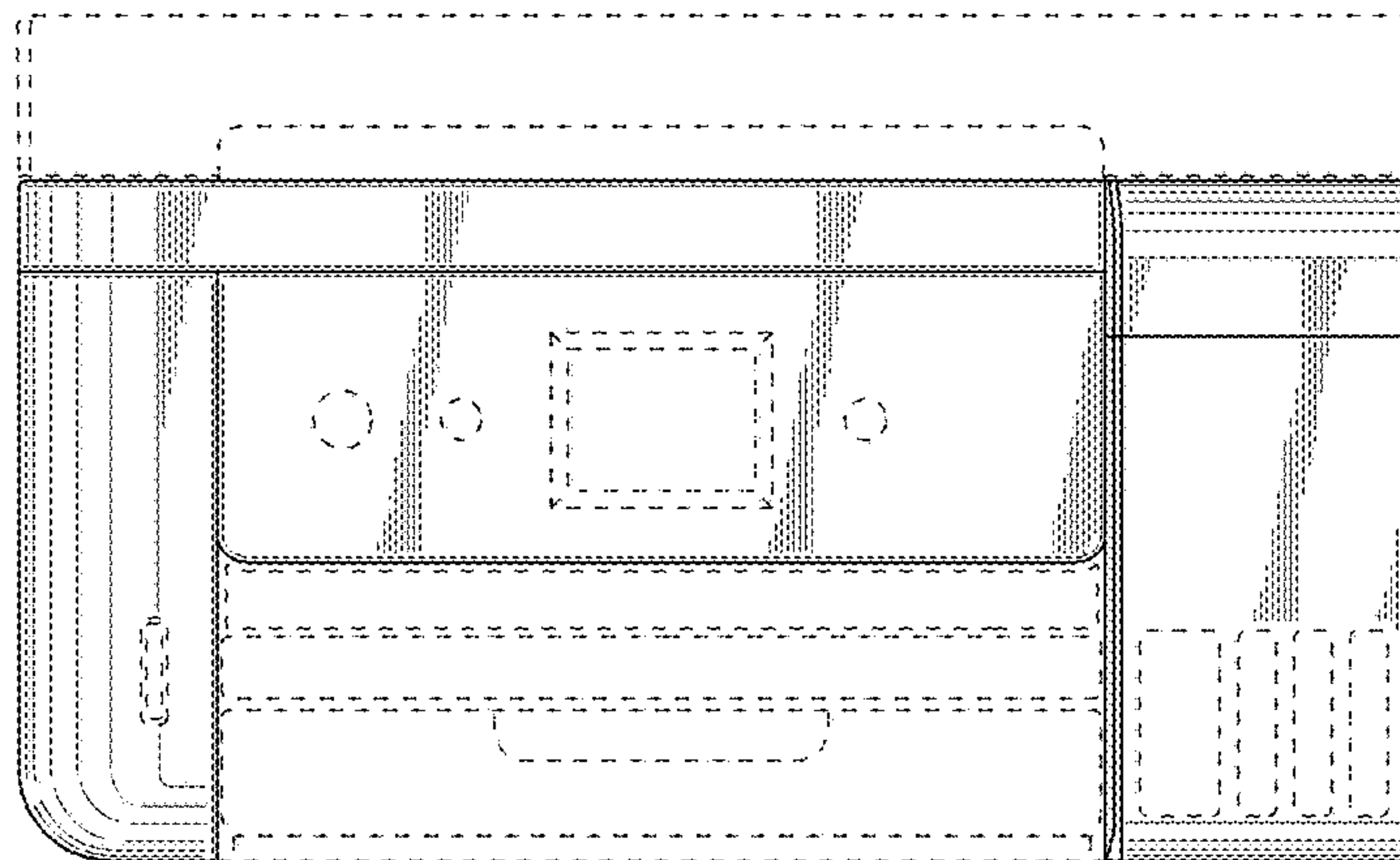
*FIG. 9*



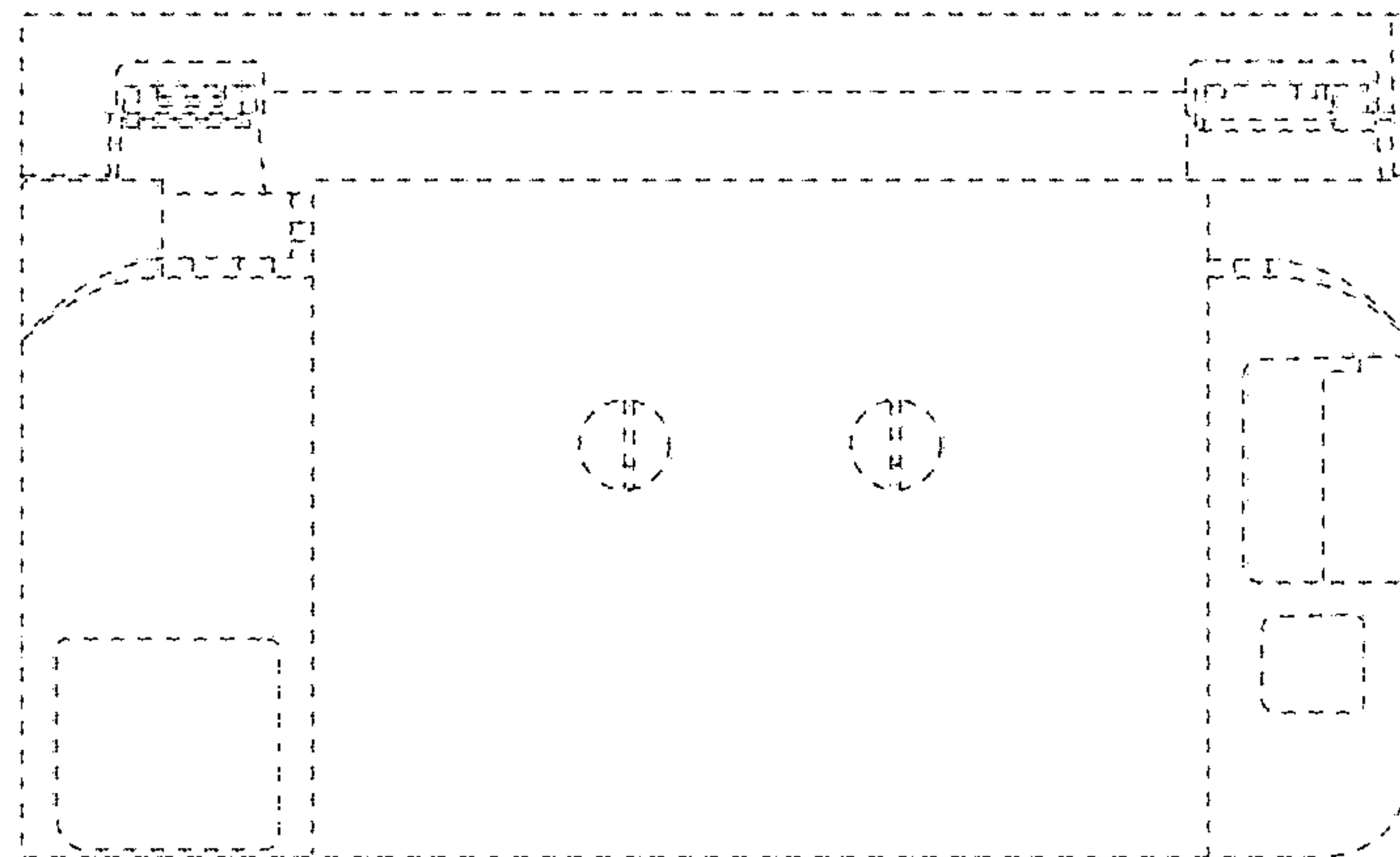
**FIG. 10**



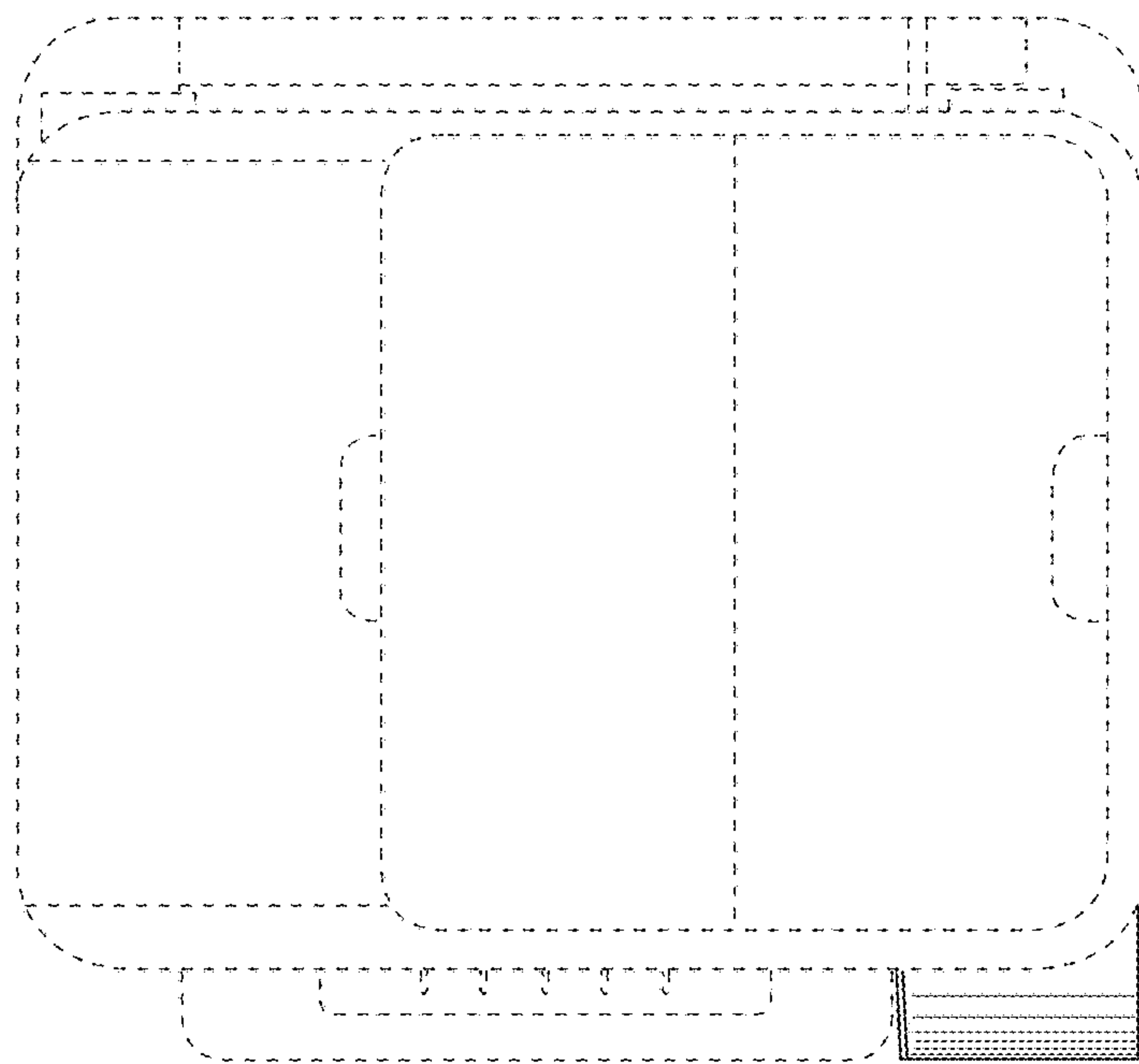
*FIG. 11*



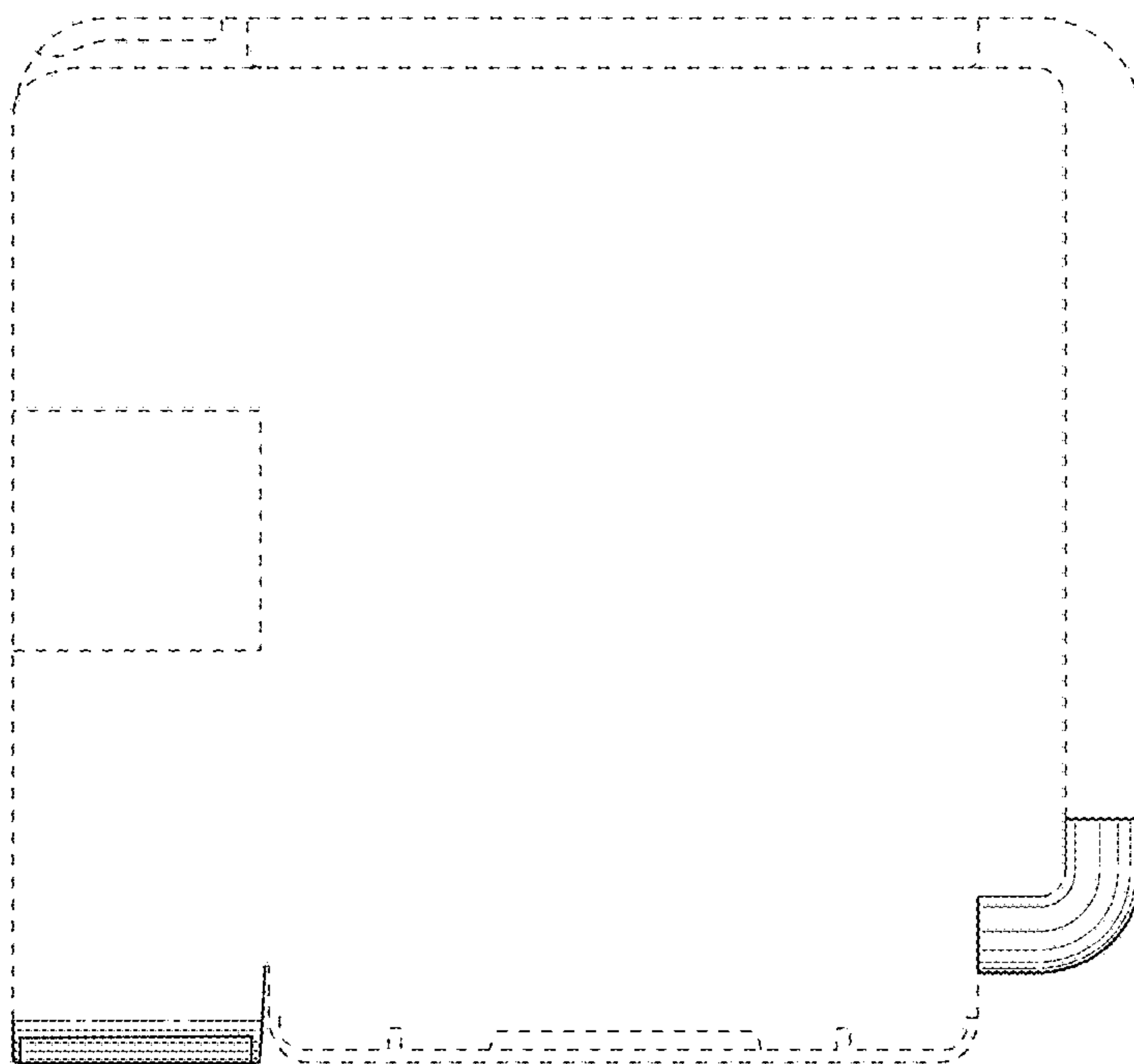
**FIG. 12**



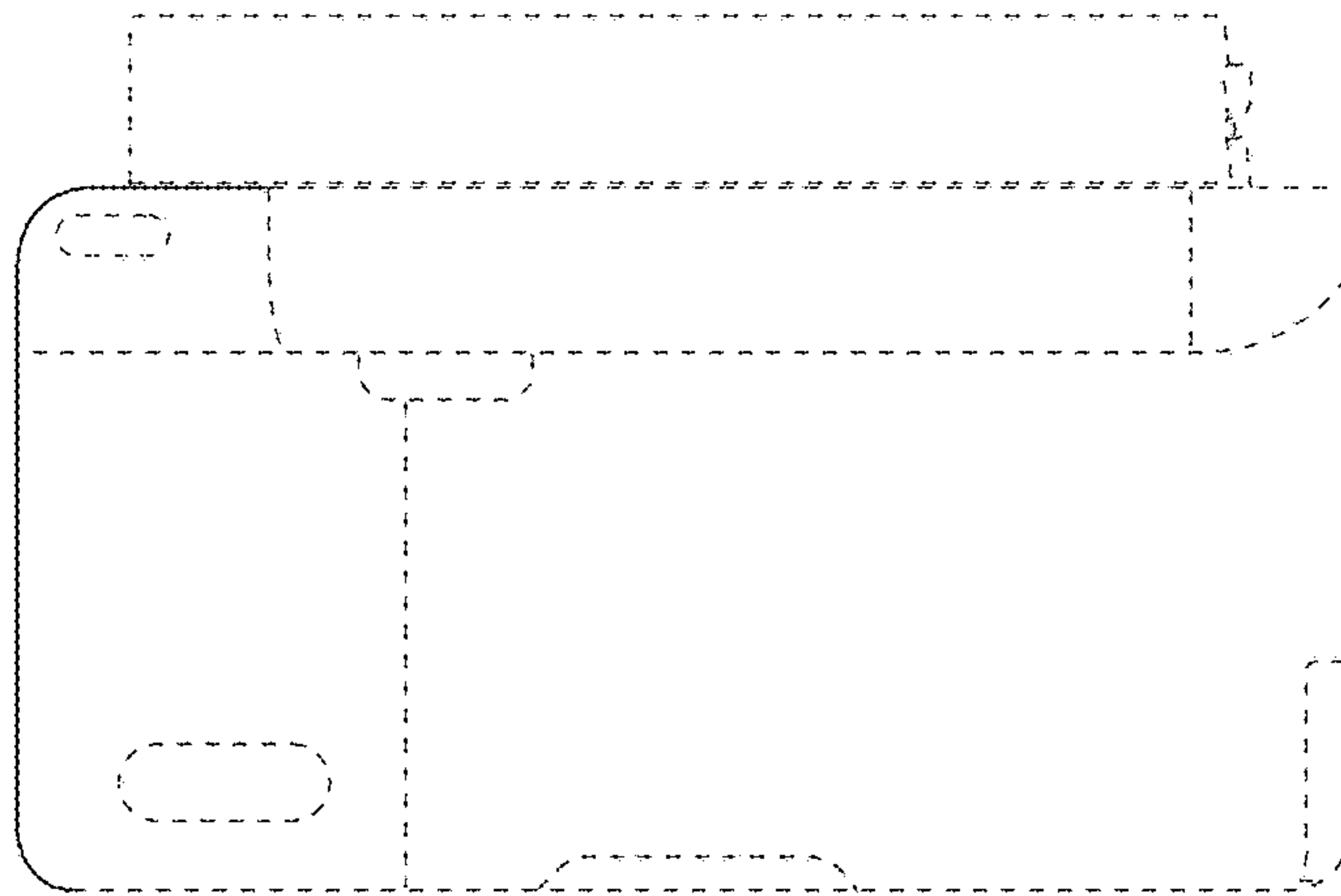
*FIG. 13*



*FIG. 14*



*FIG. 15*





*FIG. 16*

