



US00D841078S

(12) **United States Design Patent** (10) **Patent No.:** **US D841,078 S**  
**Liao** (45) **Date of Patent:** **\*\* Feb. 19, 2019**

(54) **SMART GLASSES**  
(71) Applicant: **HiScene Information Technology Co., Ltd, Shanghai (CN)**  
(72) Inventor: **Chunyuan Liao, Shanghai (CN)**  
(73) Assignee: **HISCENE INFORMATION TECHNOLOGY CO., LTD., Zhangjiang Hi-Tech Park, Shanghai (CN)**

6,824,265 B1 \* 11/2004 Harper ..... G02C 11/04 351/158  
D548,251 S \* 8/2007 Broersma ..... D16/101  
D548,767 S \* 8/2007 Jannard ..... D16/309  
D553,173 S \* 10/2007 Baden ..... D16/309  
D565,083 S \* 3/2008 Tominaga ..... D16/311  
D601,641 S \* 10/2009 Yeung ..... D16/306  
D624,111 S \* 9/2010 Knoop ..... D16/300

(Continued)

(\*\*) Term: **15 Years**  
(21) Appl. No.: **29/588,455**  
(22) Filed: **Dec. 21, 2016**  
(30) **Foreign Application Priority Data**

Jun. 28, 2016 (CN) ..... 2016 3 0286810

(51) **LOC (11) Cl.** ..... **16-06**  
(52) **U.S. Cl.**  
USPC ..... **D16/309**

(58) **Field of Classification Search**  
USPC ..... D16/101, 300-342, 900; D29/109-110; D21/483, 659-661; D14/372; 351/41, 351/44, 45-48, 51-52, 62, 158, 92, 351/103-123, 140-153, 63, 59; 2/13, 15, 2/426-432, 447-449, 441, 434-437  
CPC ..... G02C 2200/08; G02C 1/06; G02C 5/14; G02C 11/02; G02C 11/04; G02C 5/16; G02C 2200/22; G02C 5/146; G02C 5/2254; G02C 5/008; G01C 5/16; A61M 2021/0044; A63B 33/002  
See application file for complete search history.

(56) **References Cited**  
U.S. PATENT DOCUMENTS  
D484,170 S \* 12/2003 Zorkendorfer ..... D16/300  
D485,855 S \* 1/2004 Overthun ..... D16/300

**OTHER PUBLICATIONS**

'Introducing the new HiAR Glasses', video Review dated Nov. 8, 2016, [online], [site visited Nov. 6, 2017]. Available from Internet, <URL: <https://www.youtube.com/watch?v=K7henaEAAyk>>.\*

*Primary Examiner* — Michelle E. Wilson  
*Assistant Examiner* — Sanjeev Paul  
(74) *Attorney, Agent, or Firm* — Jun He Law Offices P.C.; James J. Zhu

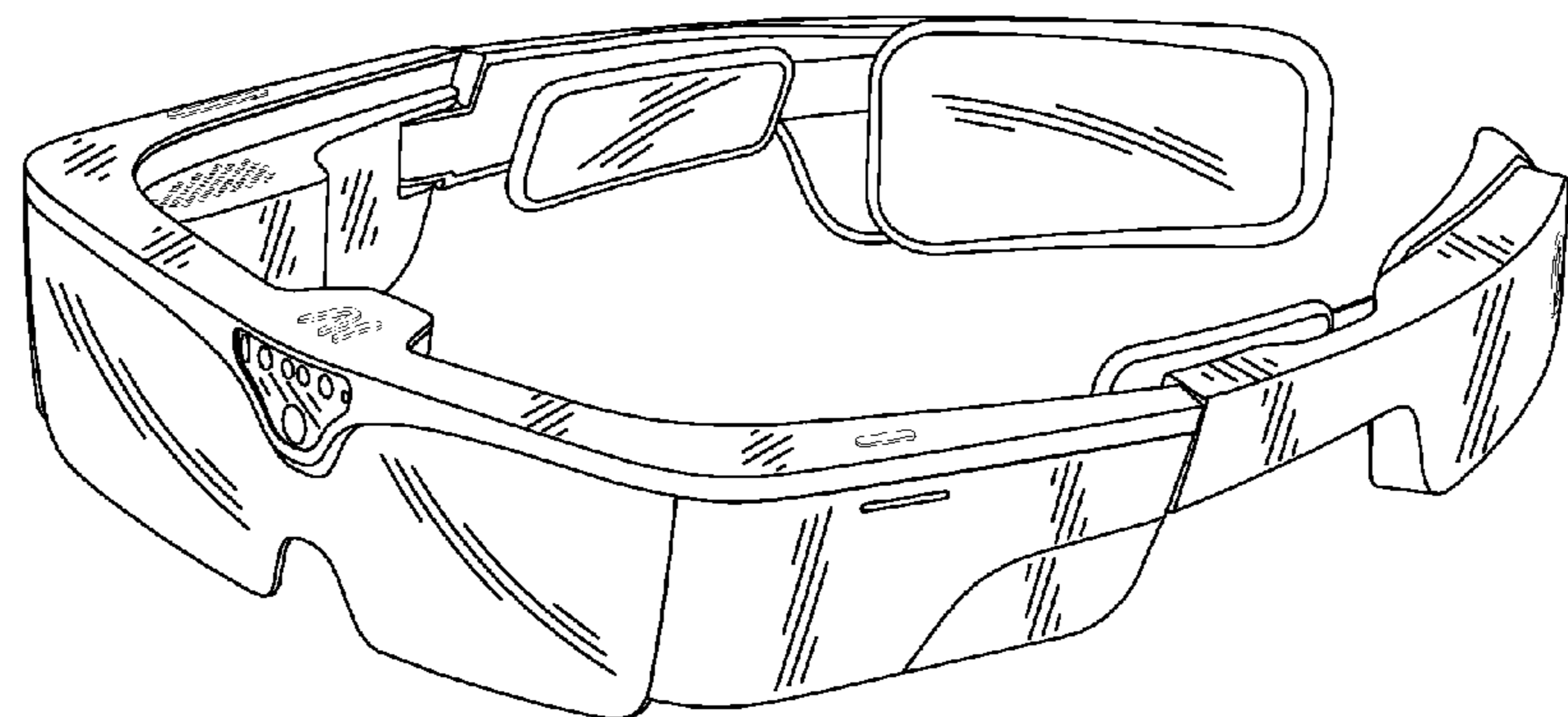
(57) **CLAIM**

The ornamental design for a smart glasses, as shown and described.

**DESCRIPTION**

FIG. 1 is a perspective view of the smart glasses showing our new design.  
FIG. 2 is a front view of the smart glasses shown in FIG. 1.  
FIG. 3 is a rear view of the smart glasses shown in FIG. 1.  
FIG. 4 is a left view of the smart glasses shown in FIG. 1.  
FIG. 5 is a right view of the smart glasses shown in FIG. 1.  
FIG. 6 is a top view of the smart glasses shown in FIG. 1; and,  
FIG. 7 is a bottom view of the smart glasses shown in FIG. 1.  
The elements shown in broken lines form no part of the claimed design.

**1 Claim, 5 Drawing Sheets**



(56)

References Cited

U.S. PATENT DOCUMENTS

D628,616 S \* 12/2010 Yuan ..... D16/306  
 D630,669 S \* 1/2011 Suzuki ..... D16/306  
 D630,670 S \* 1/2011 Suzuki ..... D16/306  
 D645,492 S \* 9/2011 Zhao ..... D16/309  
 D645,493 S \* 9/2011 Zhao ..... D16/309  
 D646,316 S \* 10/2011 Zhao ..... D16/309  
 D667,483 S \* 9/2012 Krsmanovic ..... D16/300  
 D669,066 S \* 10/2012 Olsson ..... D14/309  
 D669,471 S \* 10/2012 Hwang ..... D14/372  
 D688,294 S \* 8/2013 Roy ..... D16/309  
 D694,311 S \* 11/2013 Cho ..... D16/309  
 D697,130 S \* 1/2014 Lovgren ..... D16/309  
 D700,928 S \* 3/2014 Lavoie ..... D16/309  
 D701,557 S \* 3/2014 Lee ..... D16/309  
 D703,724 S \* 4/2014 Olsson ..... D16/300  
 D718,305 S \* 11/2014 Olsson ..... D14/372  
 D718,366 S \* 11/2014 Mehin ..... D16/300  
 D718,367 S \* 11/2014 Mehin ..... D16/300  
 D718,370 S \* 11/2014 Votel ..... D16/315  
 D719,567 S \* 12/2014 Kim ..... D14/372  
 D719,952 S \* 12/2014 Kim ..... D14/372  
 D726,243 S \* 4/2015 Raina ..... D16/300

D729,307 S \* 5/2015 Noordzij ..... D16/340  
 D729,864 S \* 5/2015 Chou ..... D16/300  
 D737,821 S \* 9/2015 Cho ..... D14/205  
 D738,373 S \* 9/2015 Davies ..... D14/372  
 D740,813 S \* 10/2015 Bosveld ..... D14/372  
 D745,007 S \* 12/2015 Cazalet ..... D14/372  
 D746,818 S \* 1/2016 Cho ..... D14/372  
 D754,782 S \* 4/2016 Kokinakis ..... D16/309  
 D757,007 S \* 5/2016 Cazalet ..... D14/372  
 D759,015 S \* 6/2016 Mehin ..... D14/372  
 D766,895 S \* 9/2016 Choi ..... D14/372  
 D778,907 S \* 2/2017 Maeda ..... D14/372  
 D780,751 S \* 3/2017 Park ..... D14/372  
 D781,288 S \* 3/2017 Park ..... D14/372  
 D785,075 S \* 4/2017 Ge ..... D16/309  
 2002/0021407 A1 \* 2/2002 Elliott ..... G02C 11/00  
 351/158  
 2007/0200998 A1 \* 8/2007 Schrimmer ..... G02C 11/04  
 351/158  
 2007/0200999 A1 \* 8/2007 Lee ..... G02C 11/04  
 351/158  
 2017/0102562 A1 \* 4/2017 Ban ..... G02C 11/10  
 2017/0184861 A1 \* 6/2017 Lammers-Meis .....  
 G02B 27/0176

\* cited by examiner

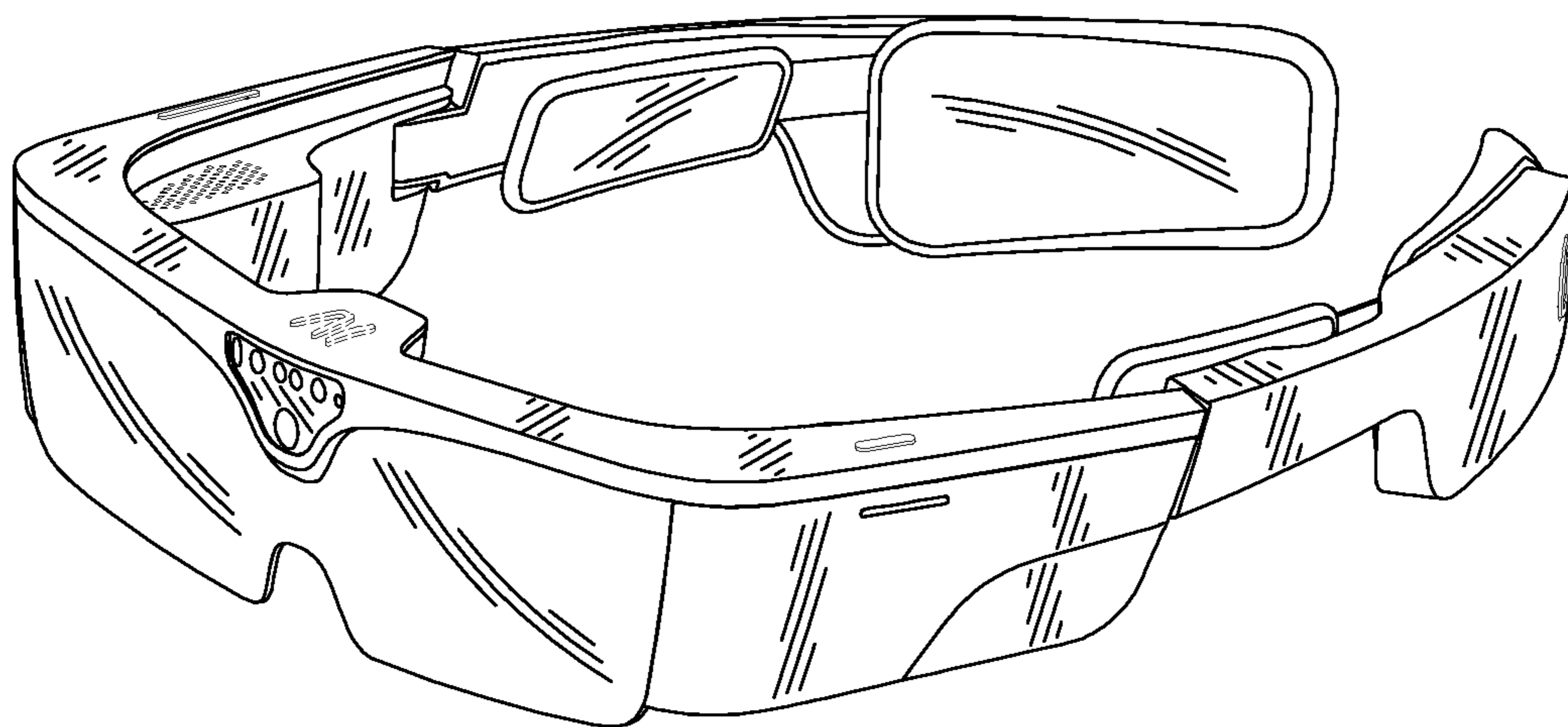


FIG. 1

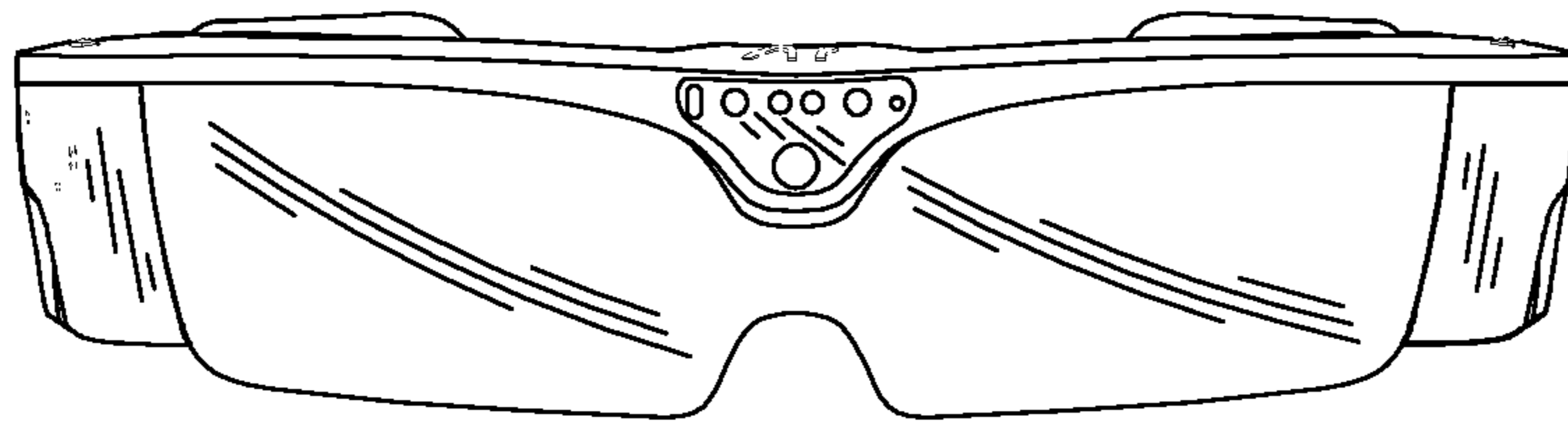


FIG. 2

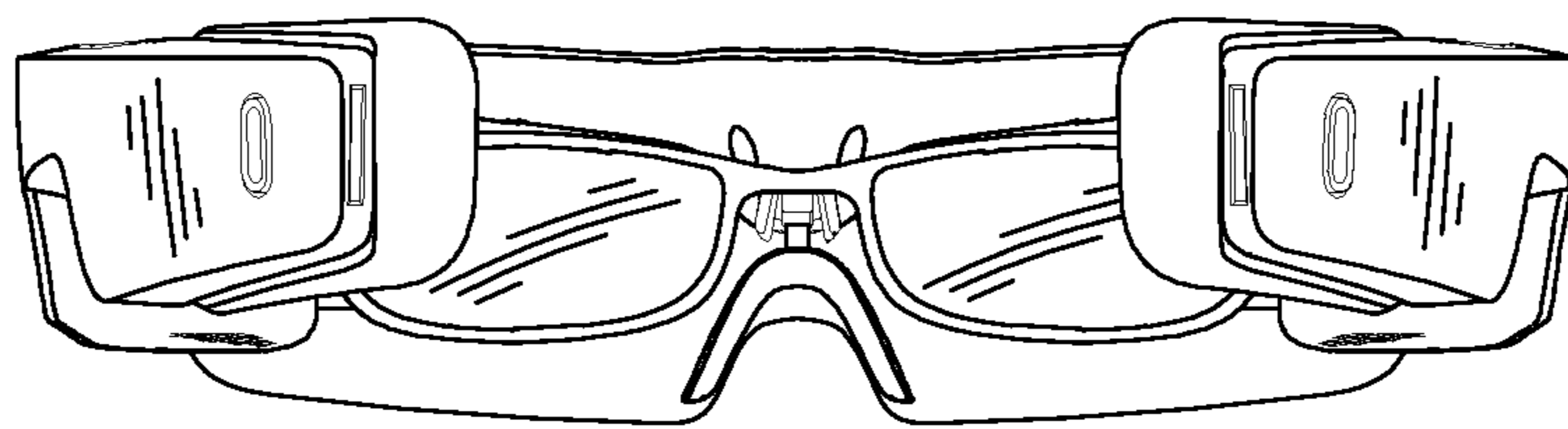


FIG. 3

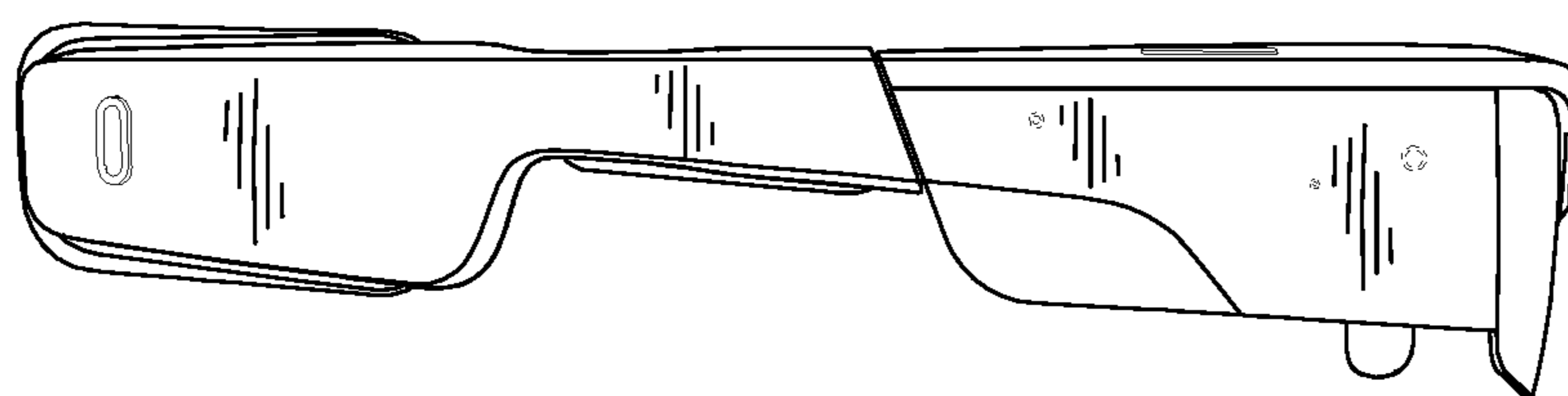


FIG. 4

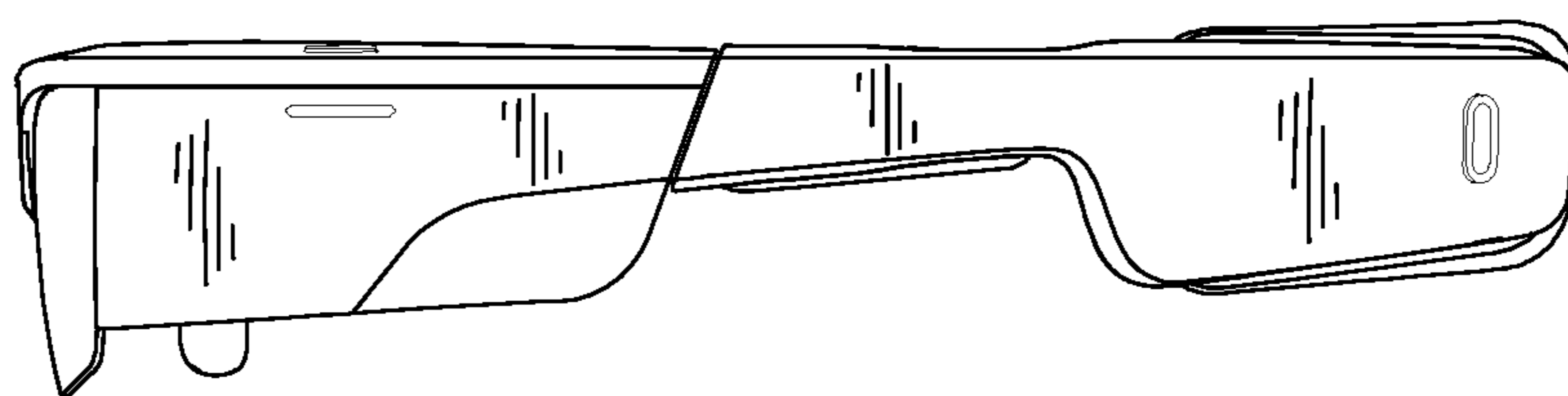


FIG. 5

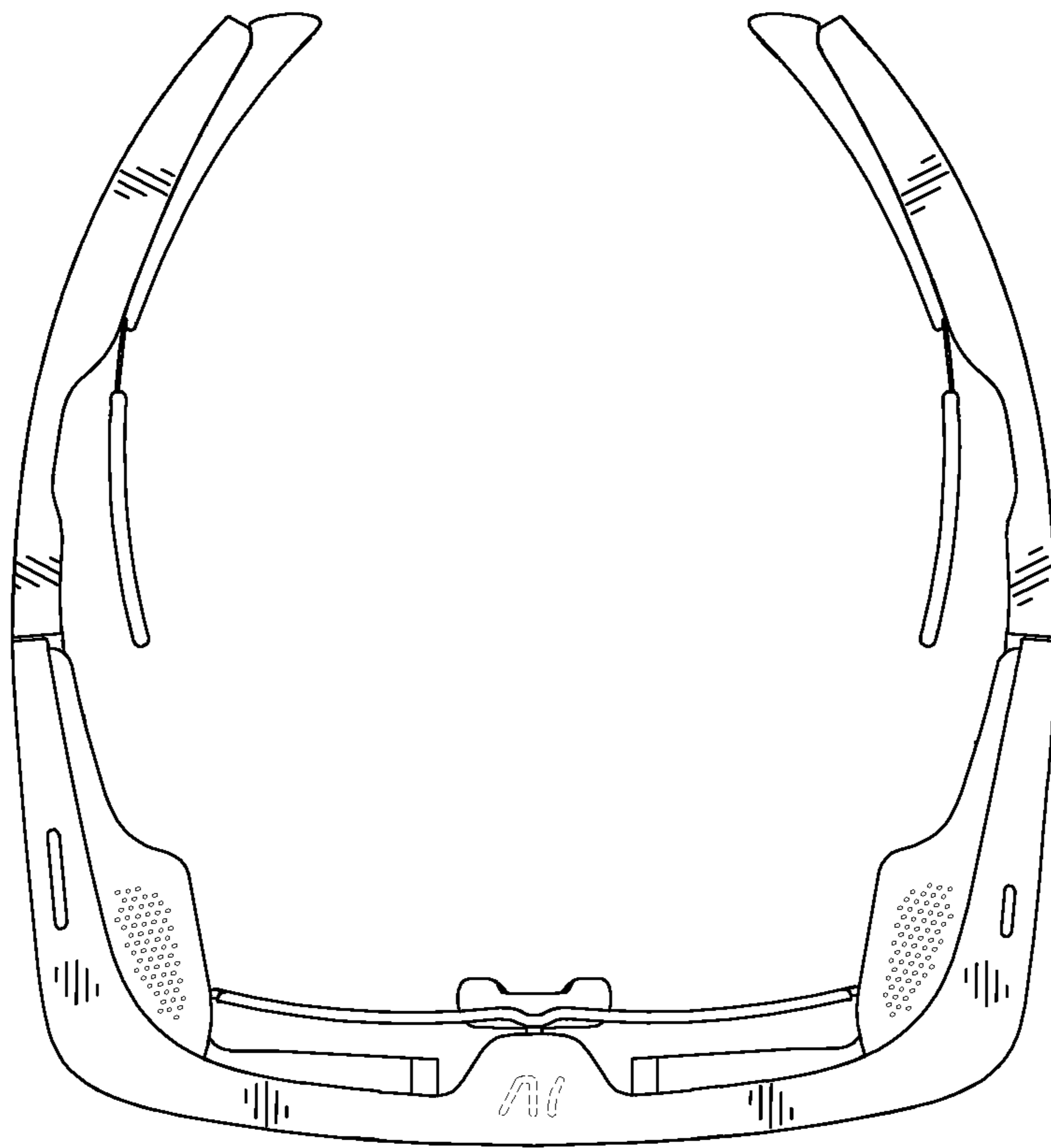


FIG. 6



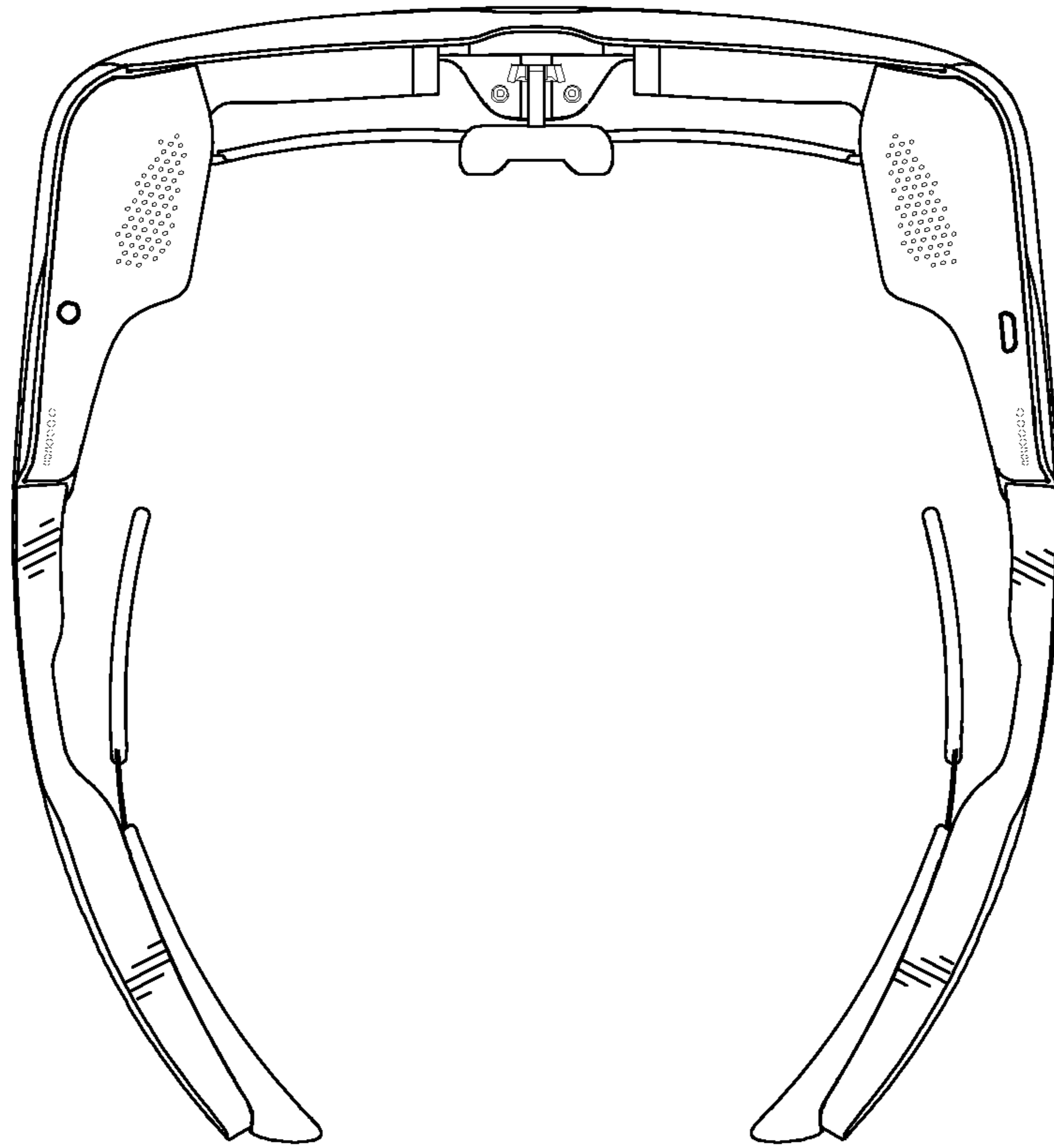


FIG. 7