



US00D841077S

(12) **United States Design Patent**
Kip et al.

(10) **Patent No.:** **US D841,077 S**

(45) **Date of Patent:** **** Feb. 19, 2019**

(54) **VIDEO CAMERA**

(71) Applicant: **Logitech Europe S.A.**, Lausanne (CH)

(72) Inventors: **Timucin Kip**, Palo Alto, CA (US);
Aron Michael Rosenberg, Berkeley,
CA (US); **Andrew Gartrell**, Lausanne
(CH)

(73) Assignee: **Logitech Europe S.A.**, Lausanne (CH)

(**) Term: **15 Years**

(21) Appl. No.: **29/656,613**

(22) Filed: **Jul. 13, 2018**

Related U.S. Application Data

(62) Division of application No. 29/589,156, filed on Dec.
28, 2016, now Pat. No. Des. 827,011.

(51) **LOC (11) Cl.** **16-05**

(52) **U.S. Cl.**
USPC **D16/242**; D16/219

(58) **Field of Classification Search**
USPC D16/200, 202–206, 218, 219, 242–245;
348/143, 148, 151, 373–376; 396/419,
396/427, 535, 539–541
CPC G03B 17/02; G03B 19/04; G03B 17/56;
G03B 17/04; G03B 15/03; H04N 5/2251;
H04N 5/2252; H04N 5/2253; H04N
5/2254; H04N 7/181; H04N 7/183; H04N
7/18; G08B 13/1963; G08B 13/19619;
G08B 13/19632; F16M 11/04; F16M
13/00

See application file for complete search history.

(56) **References Cited**

U.S. PATENT DOCUMENTS

D639,842 S *	6/2011	Zeinoun	D16/203
D656,534 S *	3/2012	Geller	D16/242
D659,177 S *	5/2012	Chan	D16/242
D666,662 S *	9/2012	Runnals	D16/242
D677,297 S *	3/2013	Bart	D16/203
D687,085 S *	7/2013	Manson	D16/242
D731,579 S *	6/2015	Bart	D16/203
D743,465 S *	11/2015	Aglassinger	D16/203
D751,624 S *	3/2016	Minn	D16/242
D752,674 S *	3/2016	Katori	D16/203
D761,343 S *	7/2016	Schmidt	D16/202
D801,414 S *	10/2017	Martin	D16/242
D827,698 S *	9/2018	Zhang	D16/242

* cited by examiner

Primary Examiner — Philip S Hyder

Assistant Examiner — Ramzi S Almatrahi

(74) *Attorney, Agent, or Firm* — Kilpatrick Townsend &
Stockton LLP

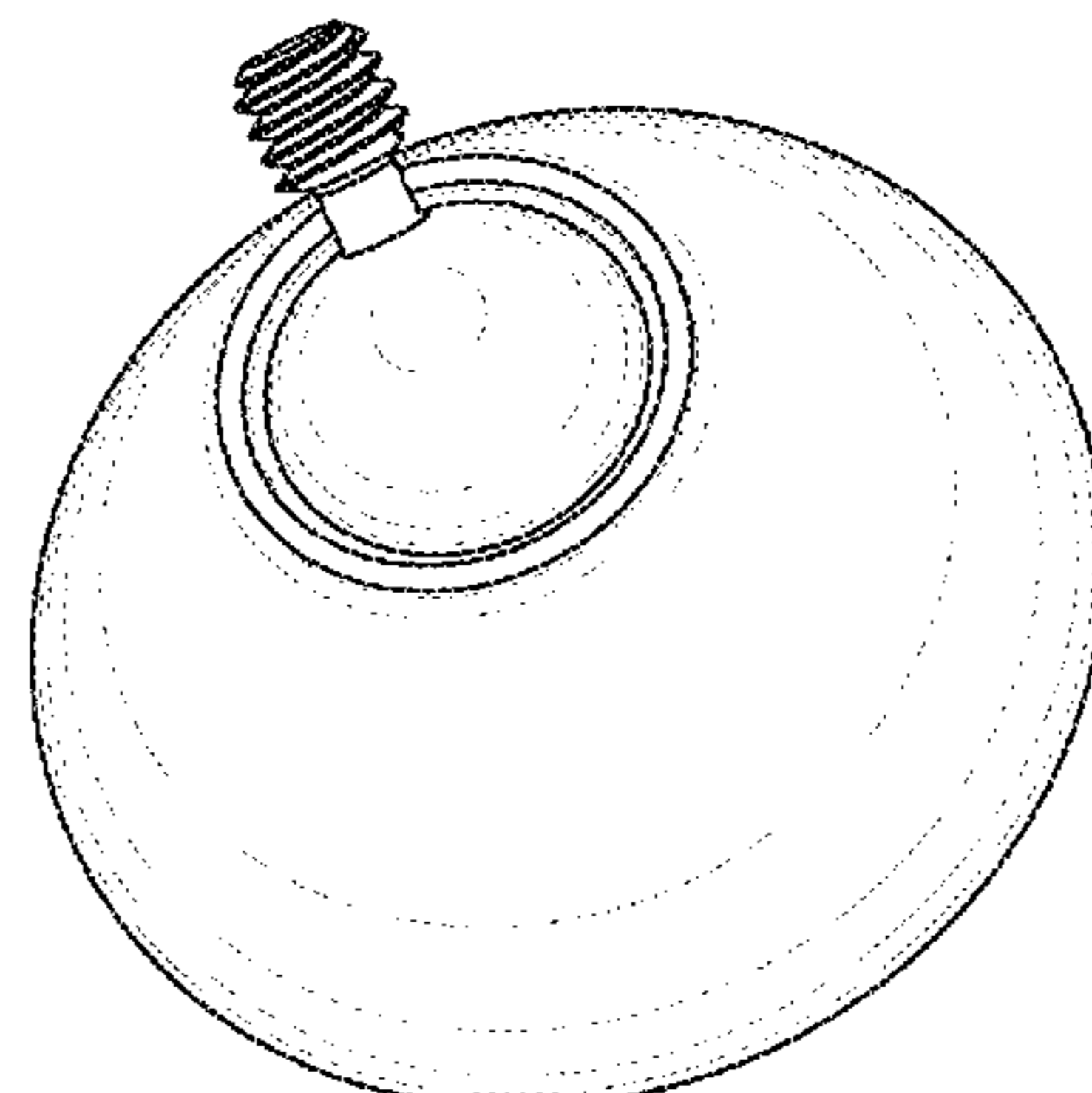
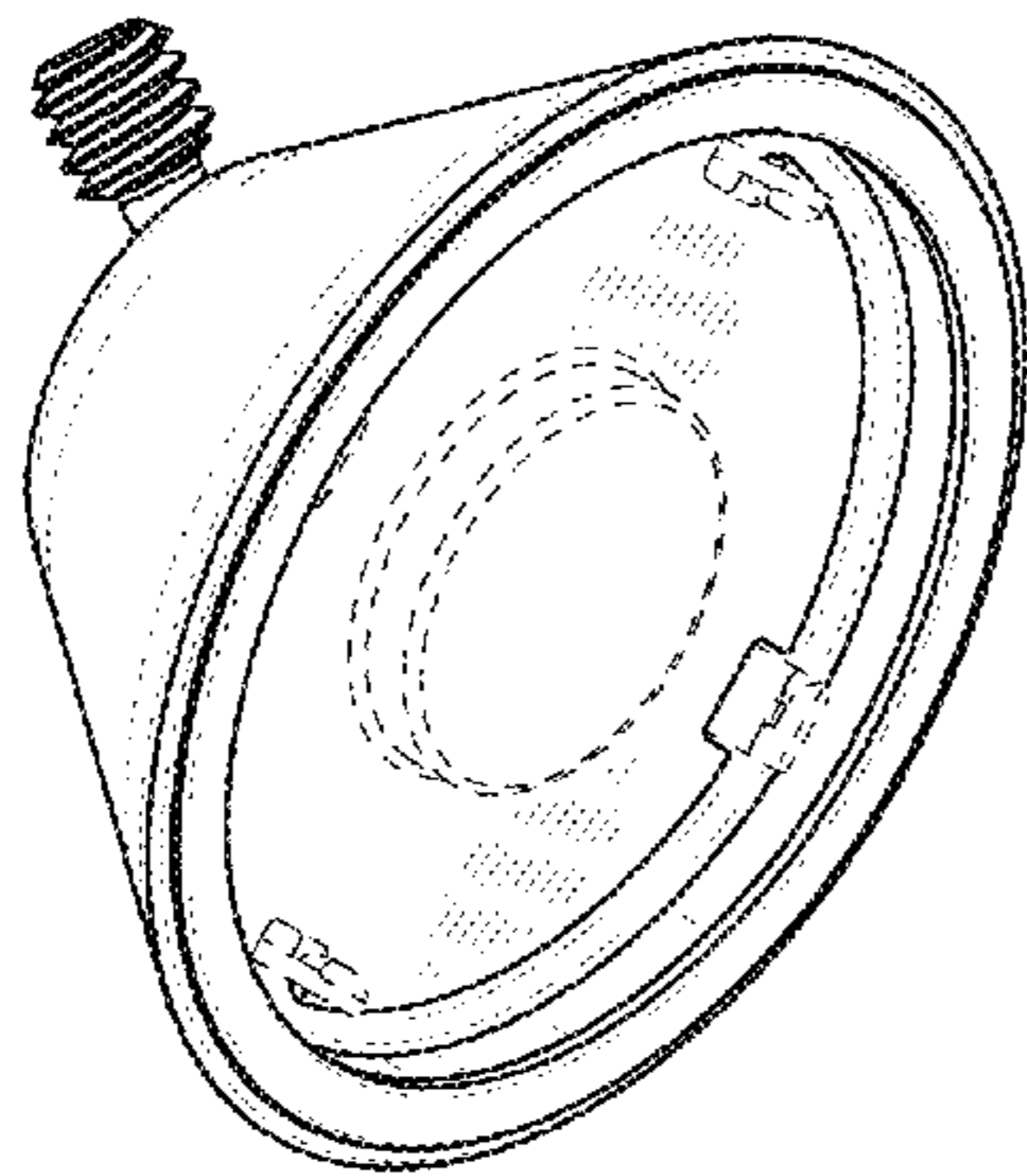
(57) **CLAIM**

The ornamental design for the video camera, as shown and
described.

DESCRIPTION

FIG. 1 is a top perspective view of a video camera showing
our new design;
FIG. 2 is a bottom perspective view thereof;
FIG. 3 is a top plan view thereof;
FIG. 4 is a bottom plan view thereof;
FIG. 5 is a front elevation view thereof;
FIG. 6 is a rear elevation view thereof;
FIG. 7 is a left side elevation view thereof; and,
FIG. 8 is a right side elevation view thereof.
The broken lines depict portions of the video camera in
which the design is embodied that form no part of the
claimed design.

1 Claim, 4 Drawing Sheets



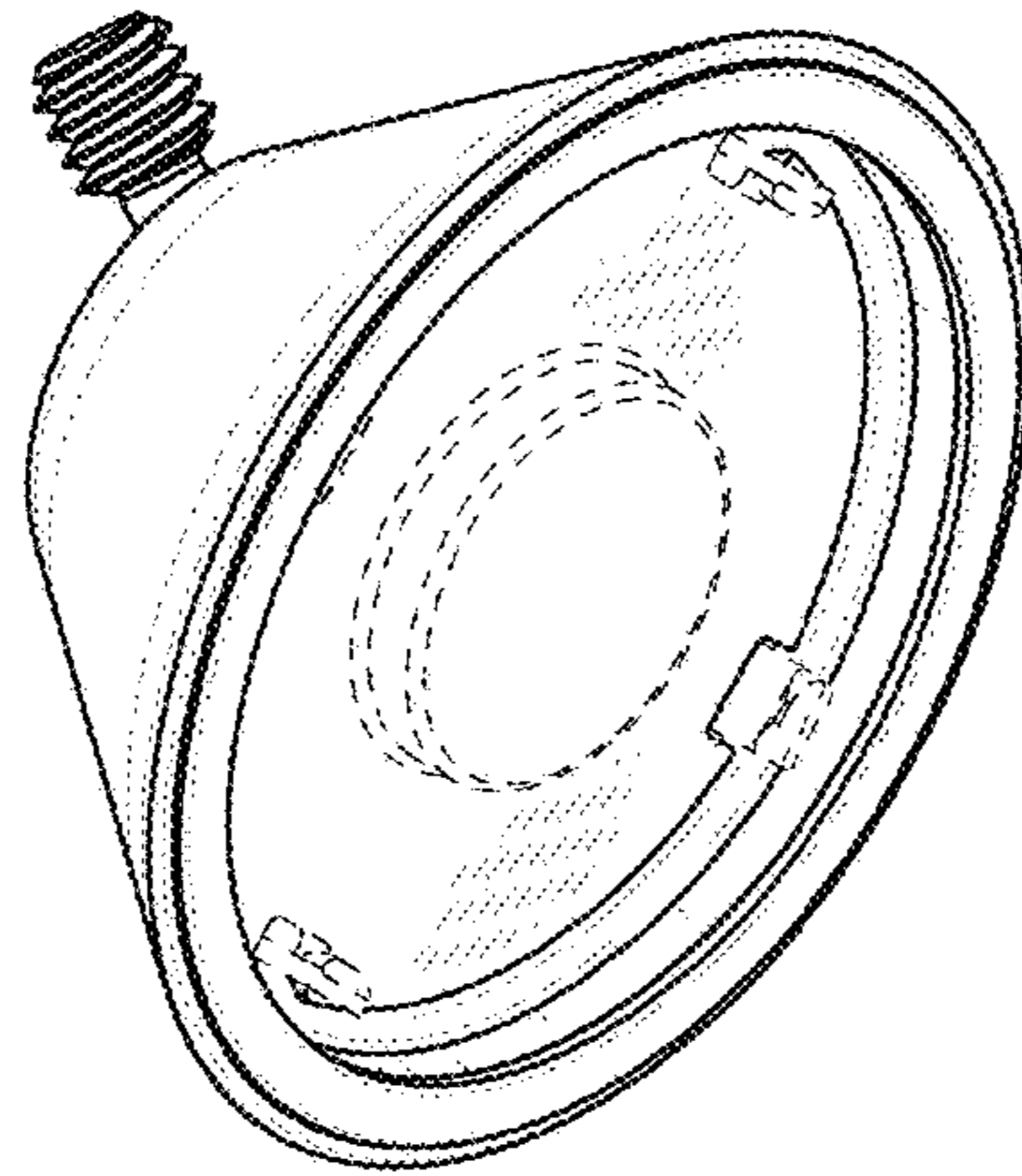


FIG. 1

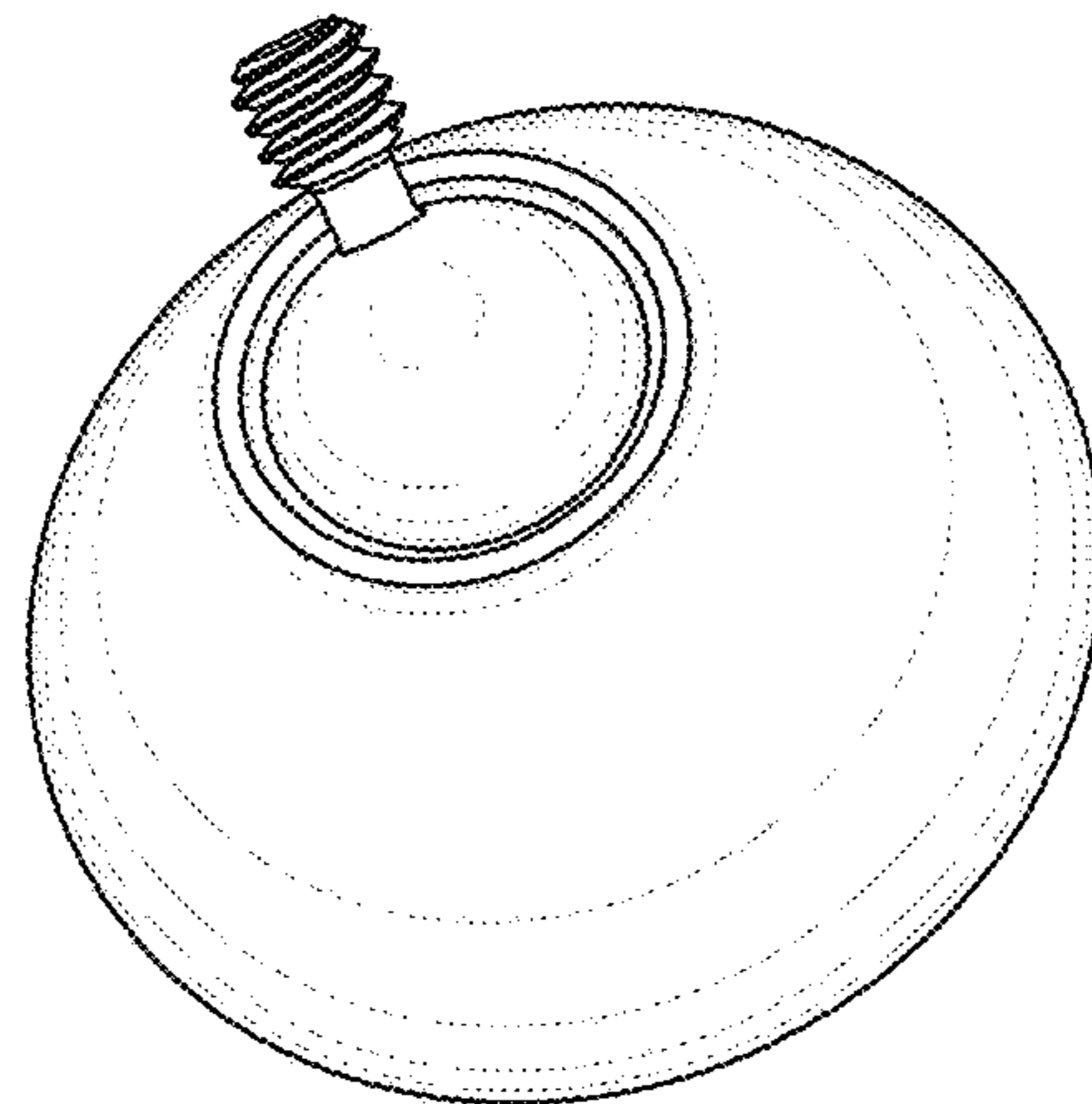


FIG. 2

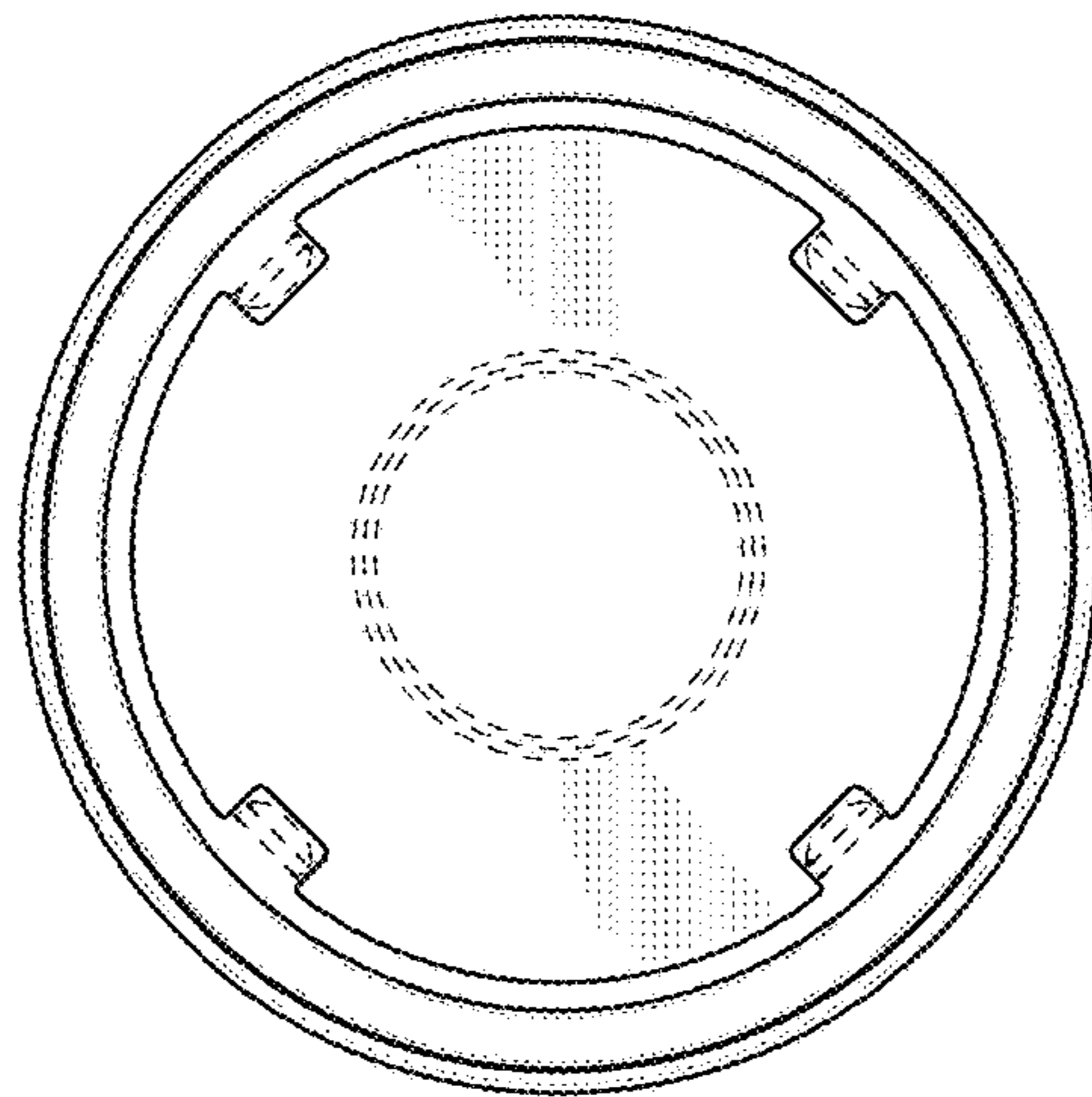


FIG. 3

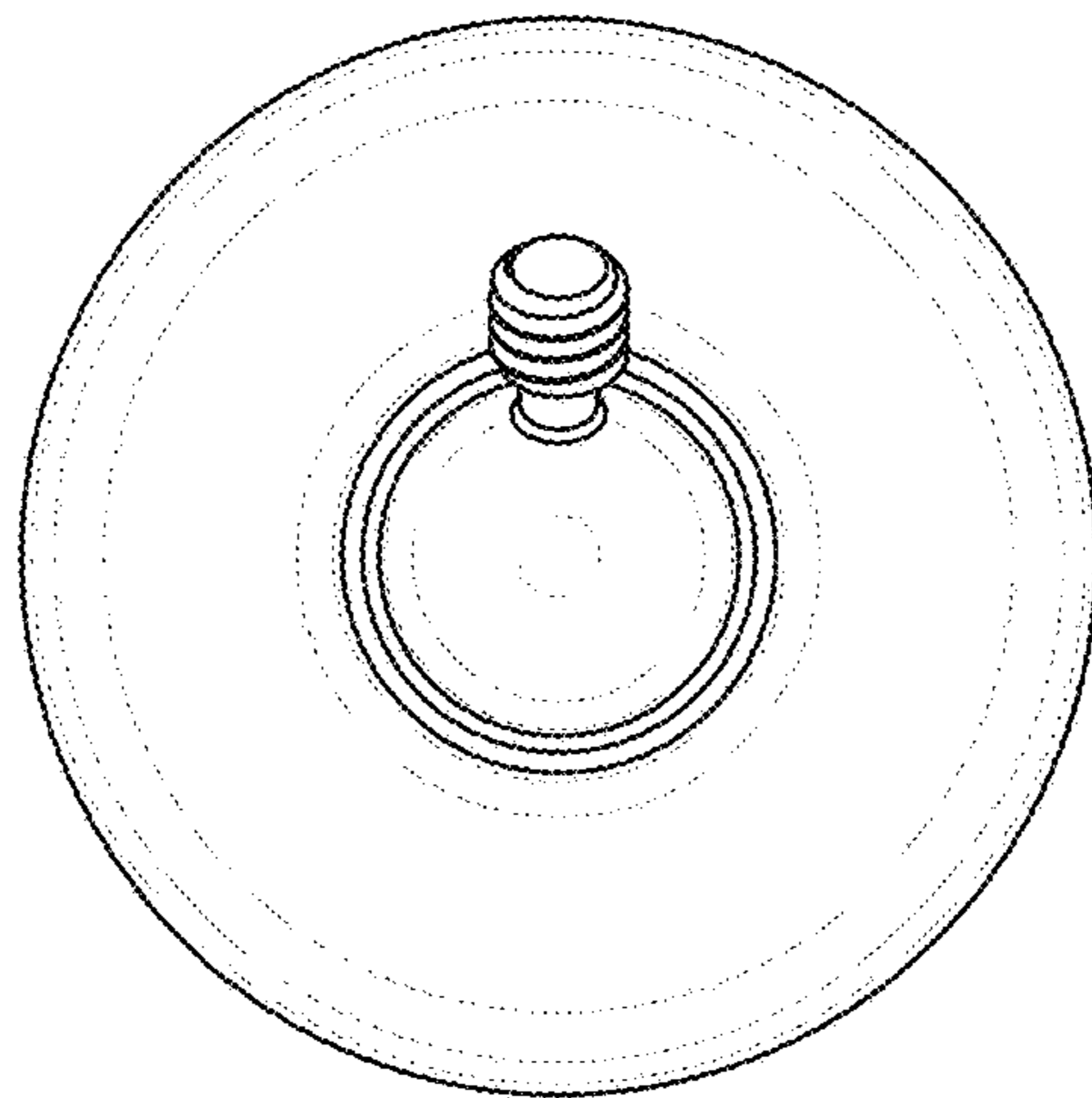


FIG. 4

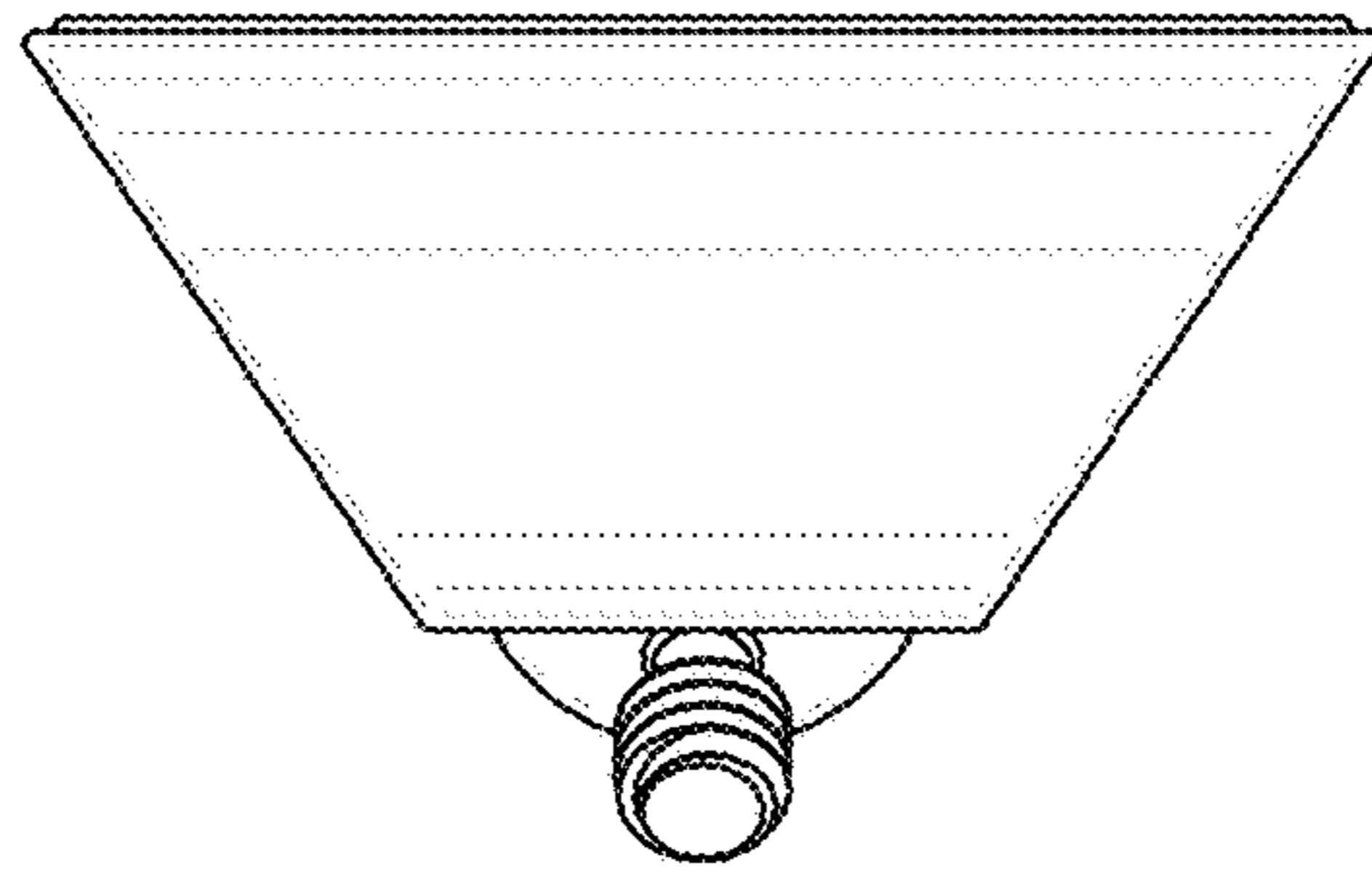


FIG. 5

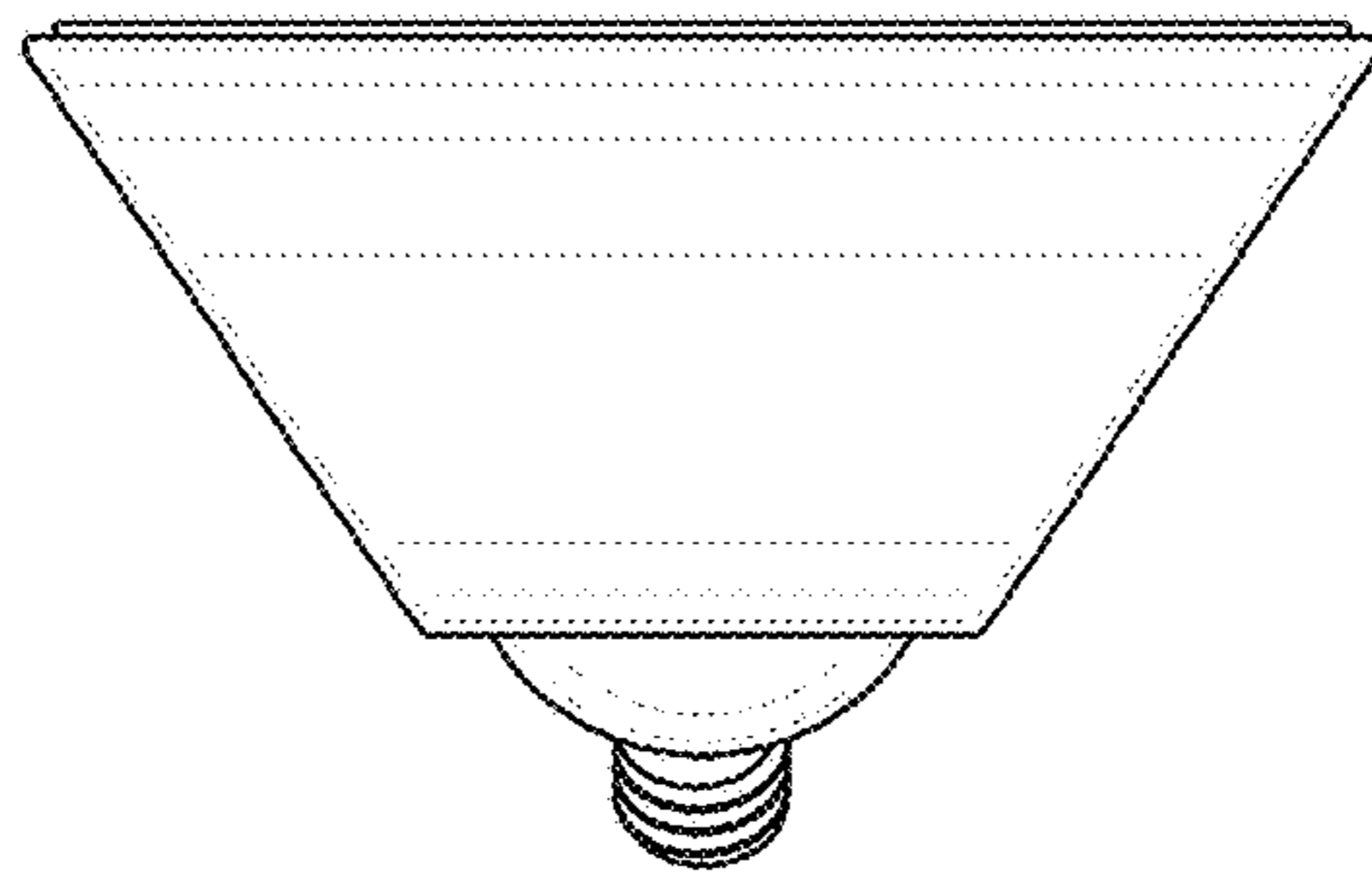


FIG. 6

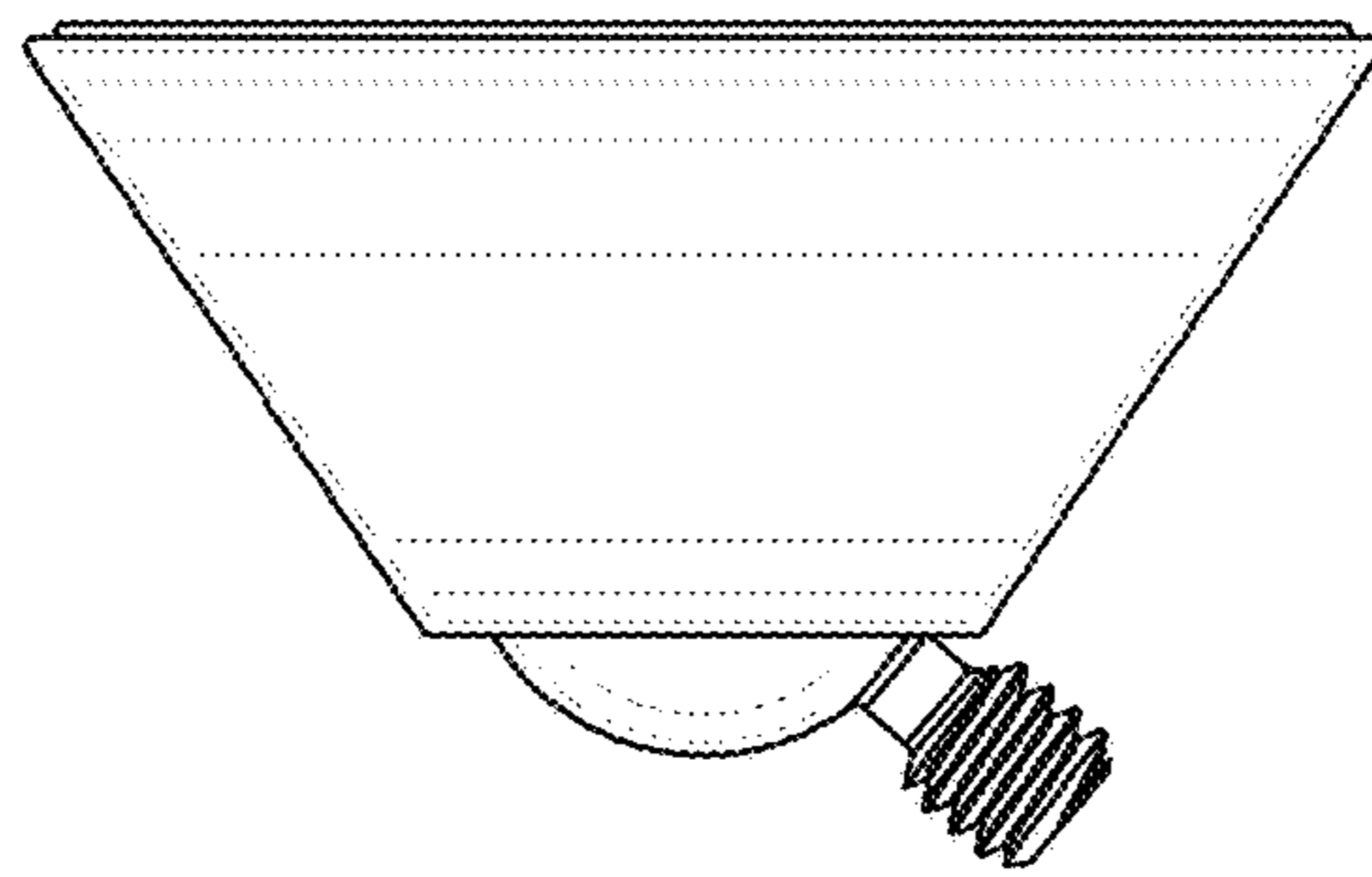


FIG. 7

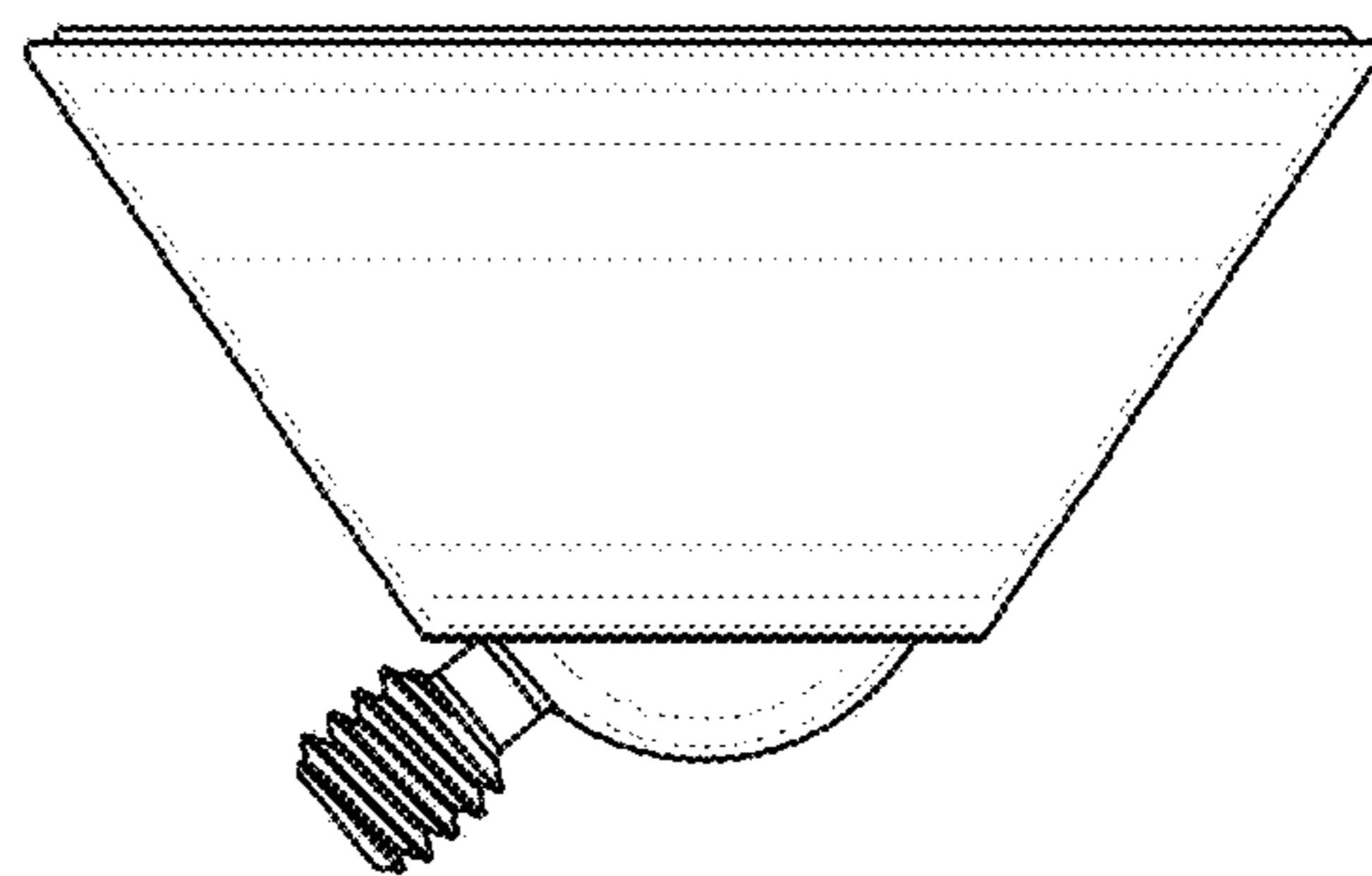


FIG. 8