



US00D841076S

(12) **United States Design Patent**
Wengreen

(10) **Patent No.:** **US D841,076 S**
(45) **Date of Patent:** **** Feb. 19, 2019**

(54) **MOUNT FOR ELECTRONIC DEVICES**

(71) Applicant: **Innovelis, Inc.**, Sammamish, WA (US)

(72) Inventor: **Eric John Wengreen**, Sammamish, WA (US)

(73) Assignee: **Innovelis, Inc.**, Sammamish, WA (US)

(**) Term: **15 Years**

(21) Appl. No.: **29/628,321**

(22) Filed: **Dec. 4, 2017**

Related U.S. Application Data

(63) Continuation of application No. 15/821,733, filed on Nov. 22, 2017, now Pat. No. 10,036,937.

(51) **LOC (11) Cl.** **16-05**

(52) **U.S. Cl.**
USPC **D16/242**

(58) **Field of Classification Search**

USPC D16/219, 237-250; D14/224, 229, 238, D14/251, 253, 447, 451, 457; D8/354, D8/355, 363, 373, 382, 383, 394-399
CPC .. A45F 5/00; A45F 5/10; F16M 11/06; F16M 11/07; F16M 11/08; F16M 11/09; F16M 11/10; G02B 7/00-7/002; G03B 17/56; G03B 17/561; G03B 17/563; G03B 17/565; G03B 17/566; G03B 17/568; H04N 5/2253-5/2254

See application file for complete search history.

(56) **References Cited**

U.S. PATENT DOCUMENTS

D301,976 S * 7/1989 Greenhut D8/373
D308,389 S * 6/1990 Horn D16/219
5,539,821 A 7/1996 Blonder
D651,068 S * 12/2011 Kang D8/363
D671,820 S * 12/2012 Henderson D8/373
D729,618 S * 5/2015 Bastien D8/373
9,071,740 B1 6/2015 Duffy

D733,539 S * 7/2015 Wu D23/304
D736,071 S * 8/2015 Wu D8/373
D740,872 S * 10/2015 Wada D16/203
D771,760 S * 11/2016 Riddiford D21/694
D798,358 S * 9/2017 Holbrook D16/203
D805,076 S * 12/2017 Hong D14/388

(Continued)

OTHER PUBLICATIONS

TotalMount Outlet Mount for Amazon Cloud Cam. [online] Retrieved Oct. 25, 2018 from URL:https://www.amazon.com/TotalMount-Outlet-Mount-Amazon-Cloud/dp/B079N38BFJ/ref=sr_1_6?ie=UTF8&qid=1534278238&sr=8-6&keywords=cloud+cam.*

(Continued)

Primary Examiner — Vy N Koenig

(57) **CLAIM**

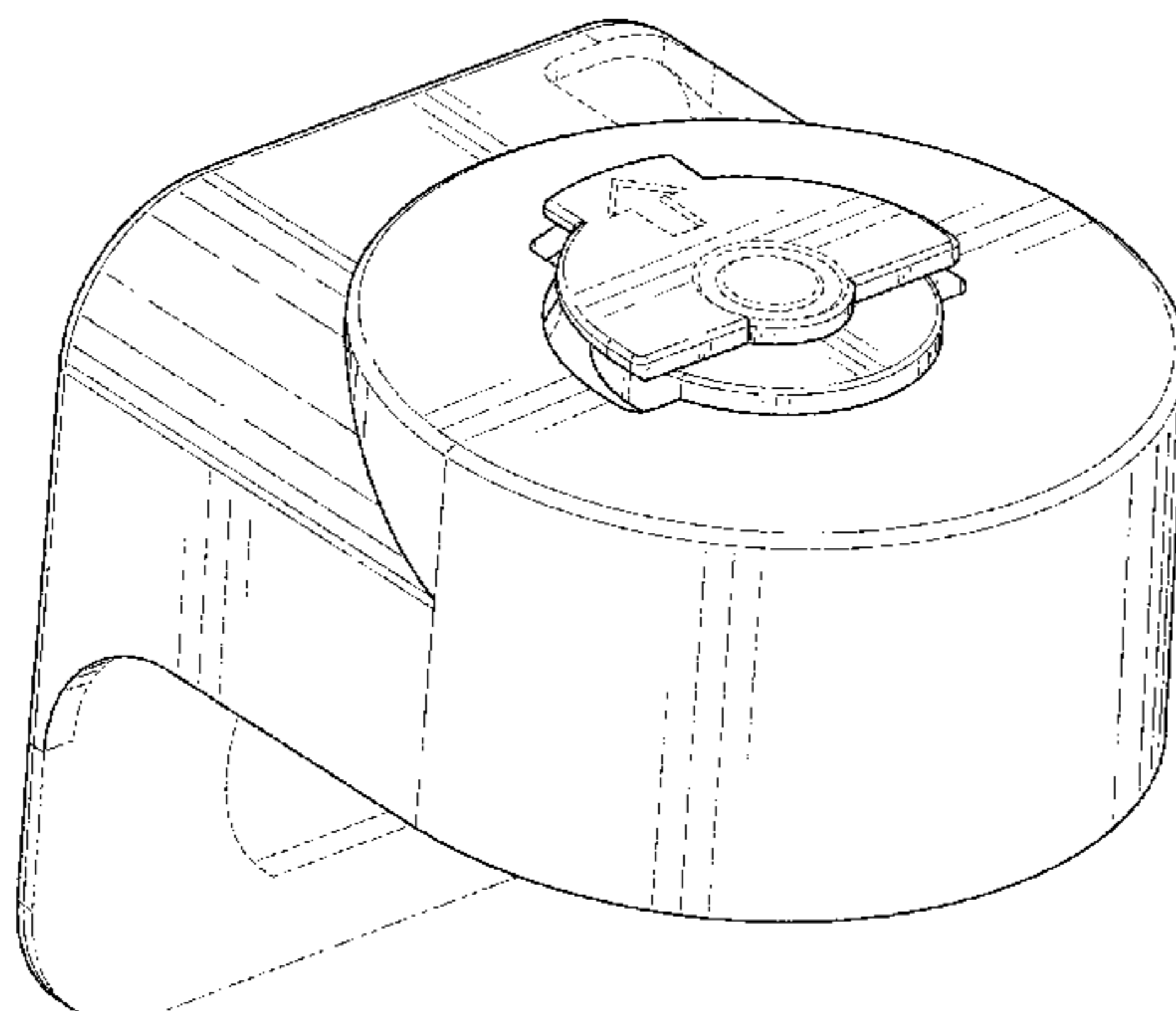
The ornamental design for a mount for electronic devices, as shown and described.

DESCRIPTION

FIG. 1 is a front, first side, and top perspective view of a mount for electronic devices embodying the new design; FIG. 2 is a back, second side, and top perspective view thereof; FIG. 3 is a bottom, first side, and back perspective view thereof; FIG. 4 is a bottom, second side, and front perspective view thereof; FIG. 5 is a front view thereof; FIG. 6 is a second side view thereof; FIG. 7 is a first side view thereof; FIG. 8 is a back view thereof; FIG. 9 is a top view thereof; and, FIG. 10 is a bottom view thereof.

The uniform repeating broken lines depict portions of a mount for electronic devices in which the claimed design is embodied and form no part of the claimed design.

1 Claim, 10 Drawing Sheets



(56)

References Cited

U.S. PATENT DOCUMENTS

D825,642 S * 8/2018 Maiwald D16/242
D825,643 S * 8/2018 Wengreen D16/242
2008/0136915 A1 6/2008 Iwamura

OTHER PUBLICATIONS

AhaStyle AC Outlet Shelf Wall Mount for Amazon Cloud Cam.
[online] Retrieved Oct. 29, 2018 from URL: https://www.amazon.com/AhaStyle-Outlet-Shelf-Amazon-Built/dp/B07F7SPLTN?keywords=cloud+cam+mount&qid=1540819342&sr=8-8&ref=sr_1_8.*

Mission Mount for Nest Cam—First publicly available at least as early as Nov. 2, 2015; Downloaded on May 31, 2018 from <https://www.amazon.com/dp/B017H75H8S>.

* cited by examiner

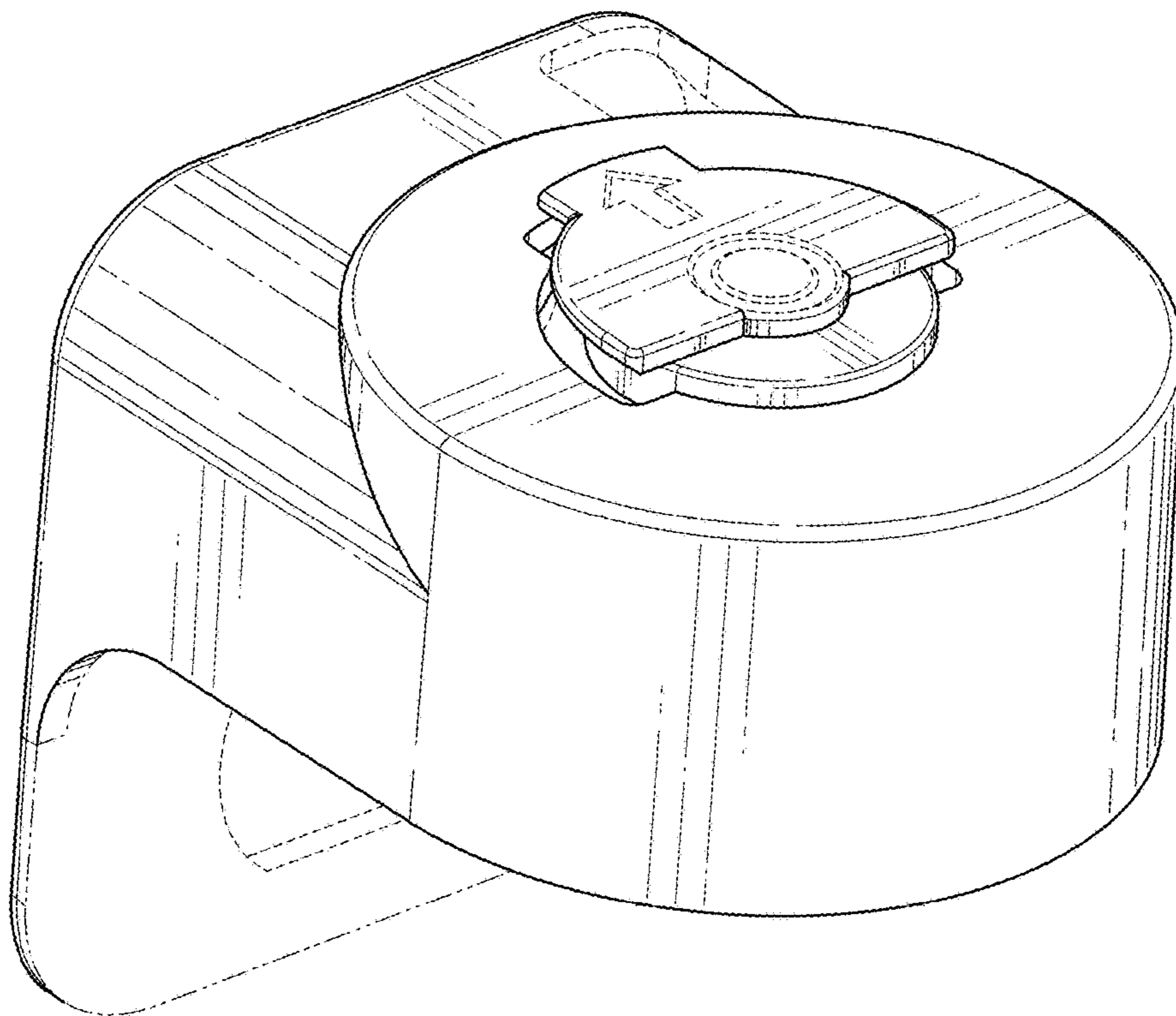


FIG. 1

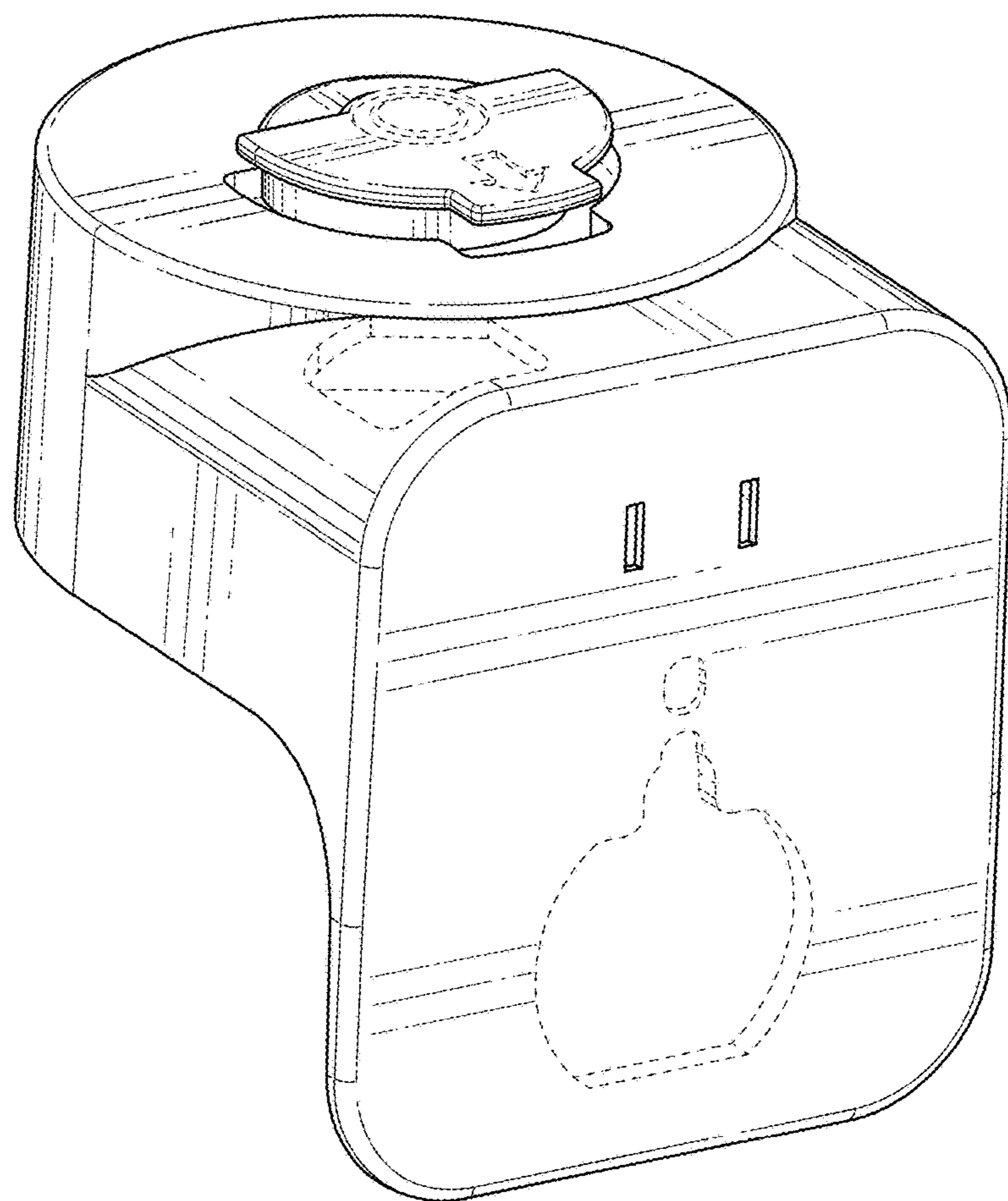


FIG. 2

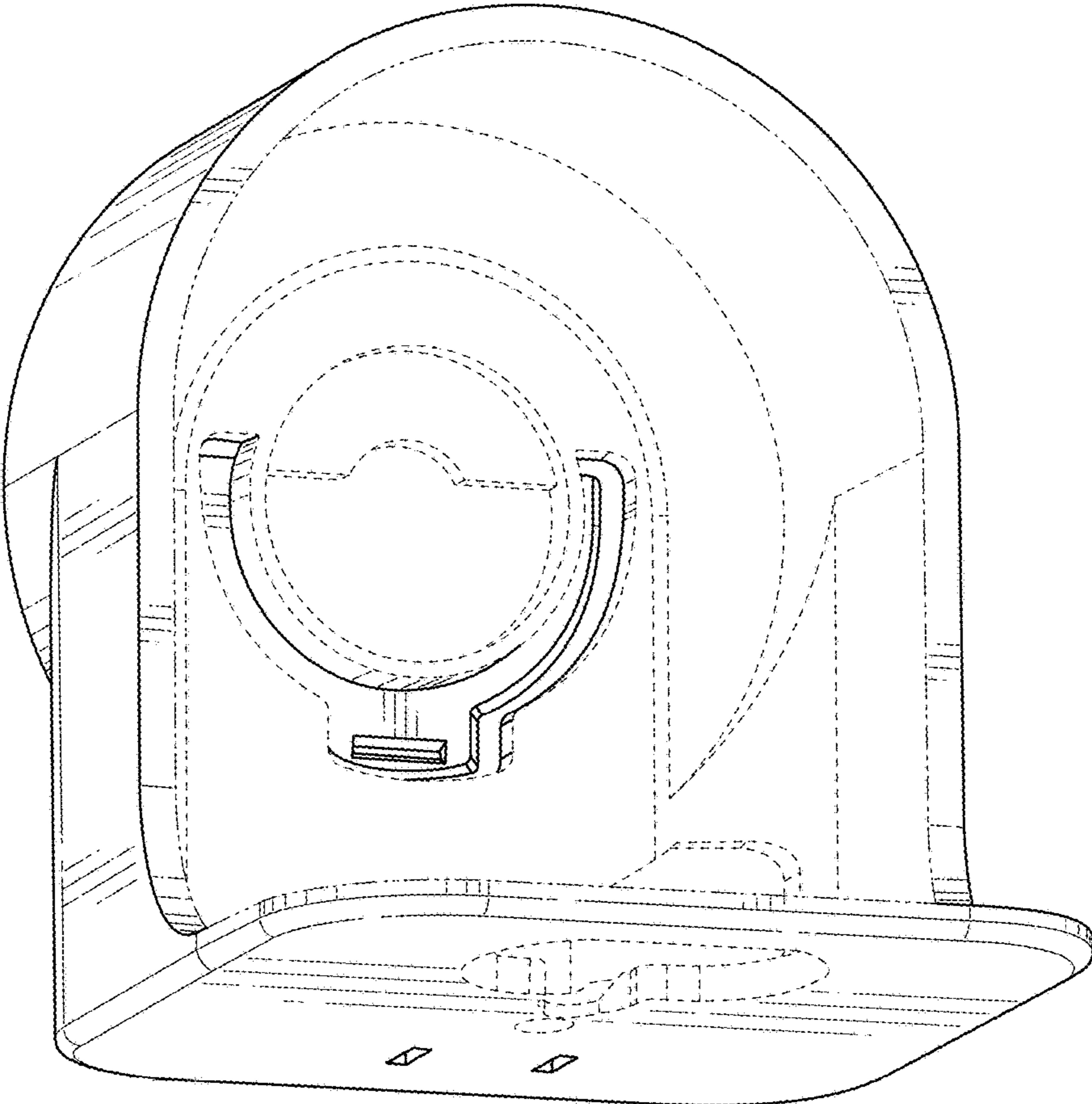


FIG. 3

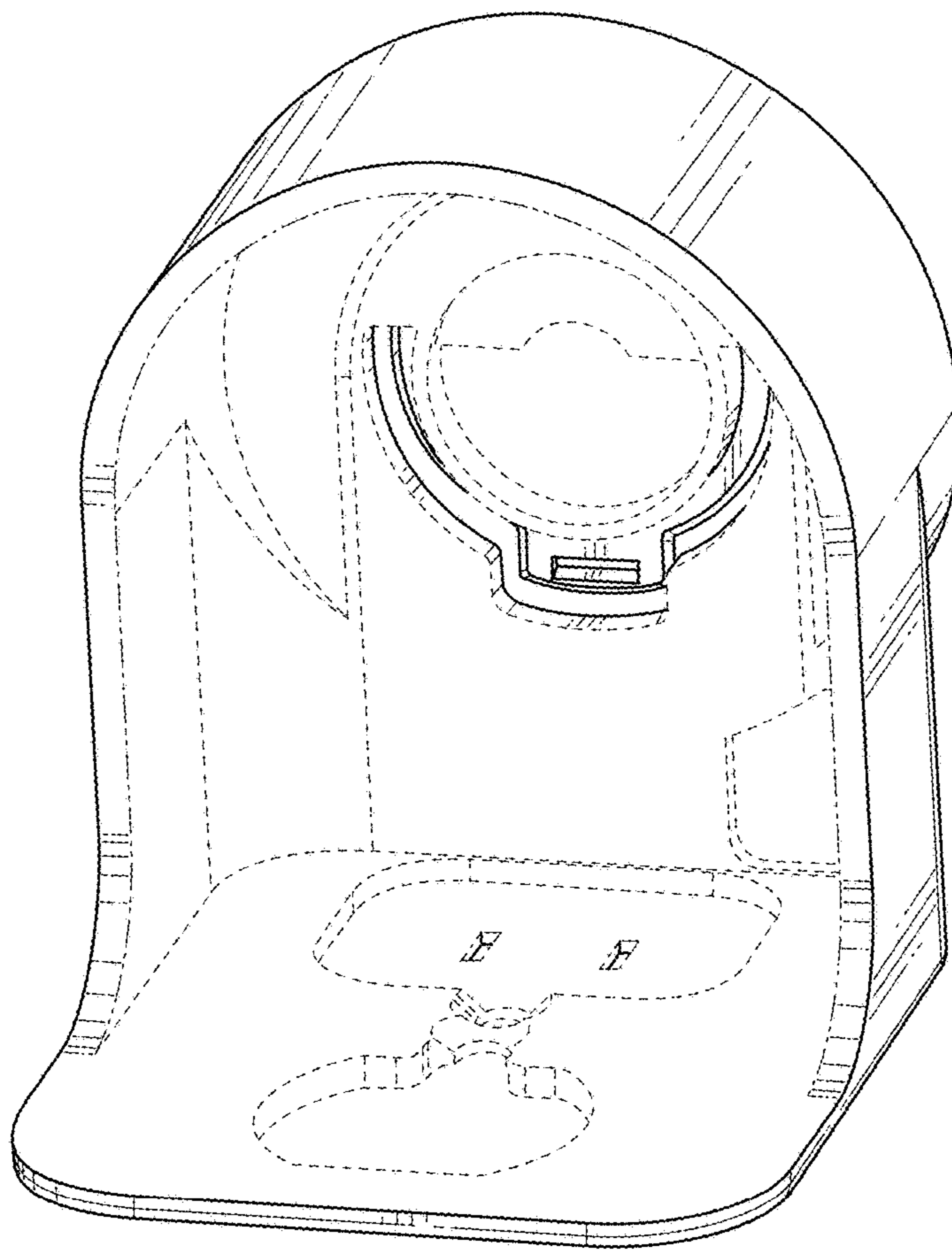


FIG. 4

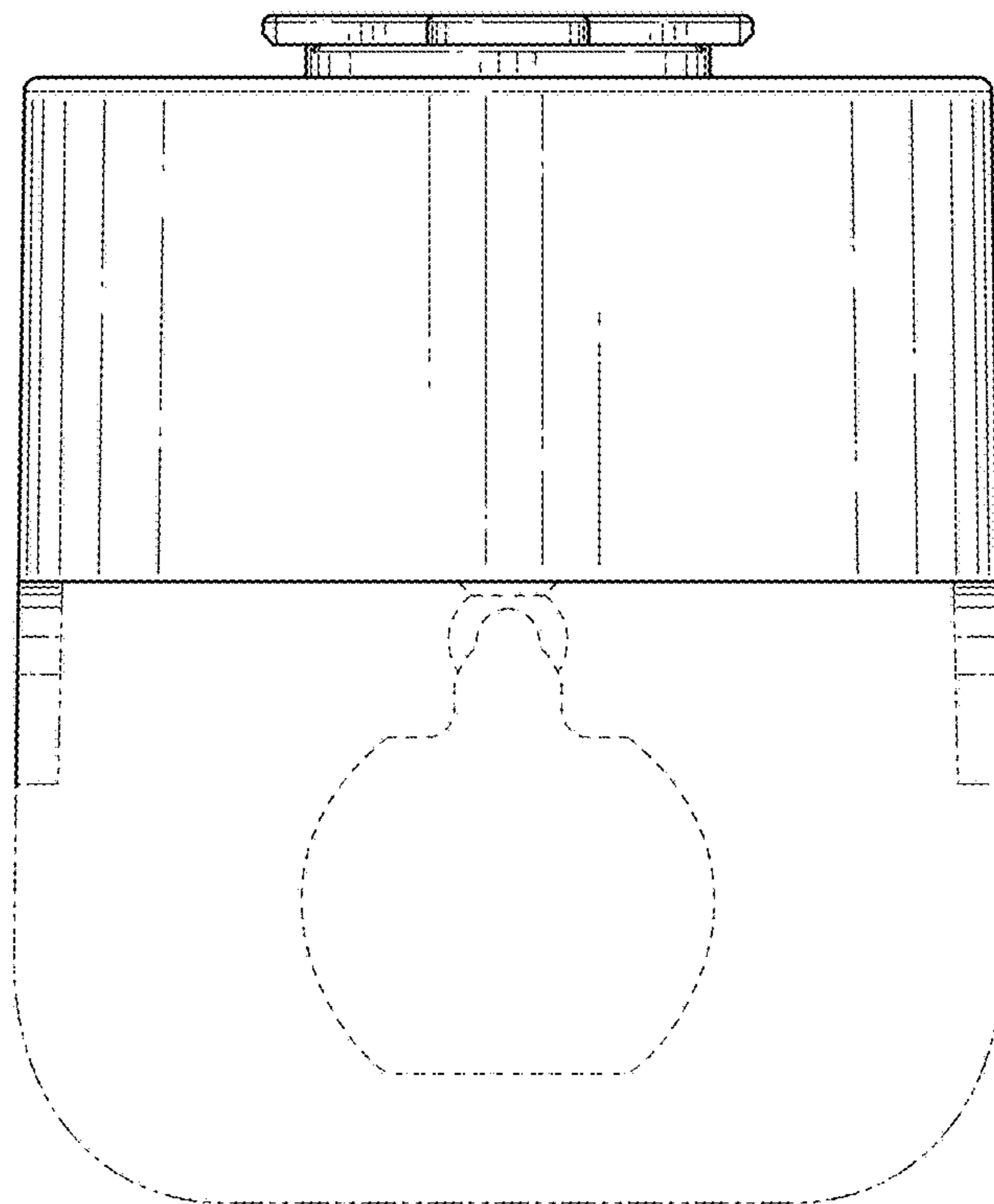


FIG. 5

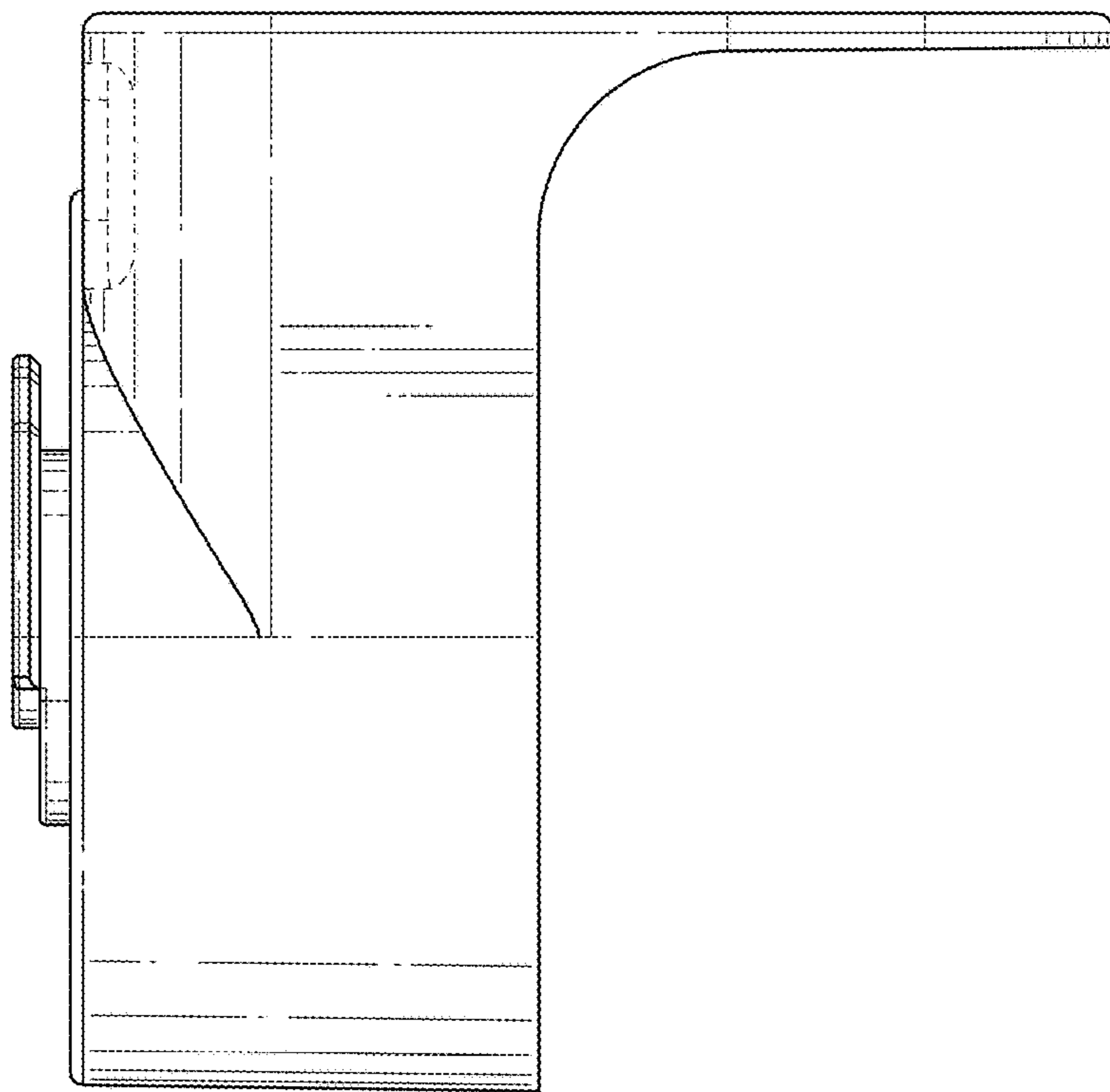


FIG. 6

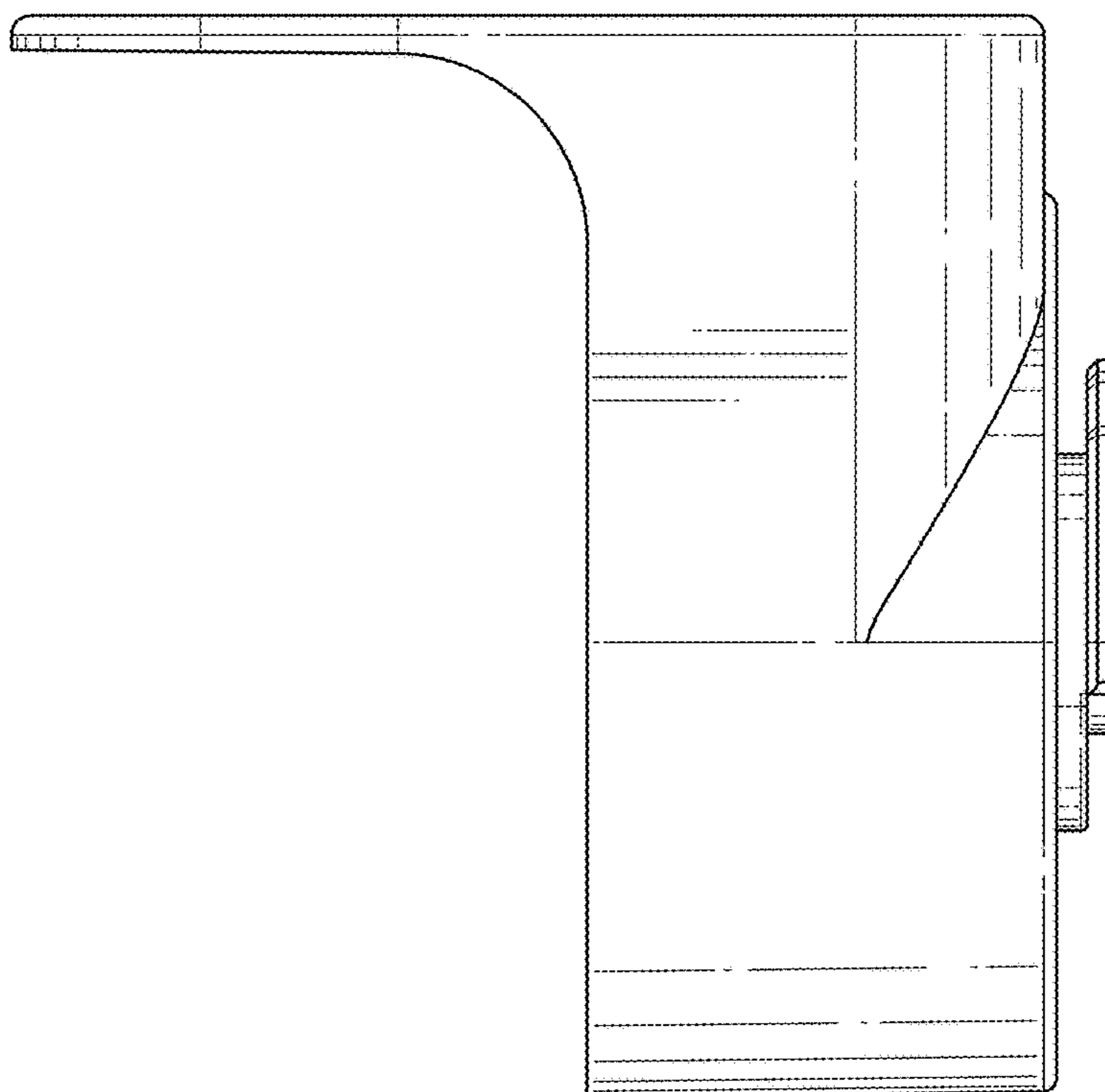


FIG. 7

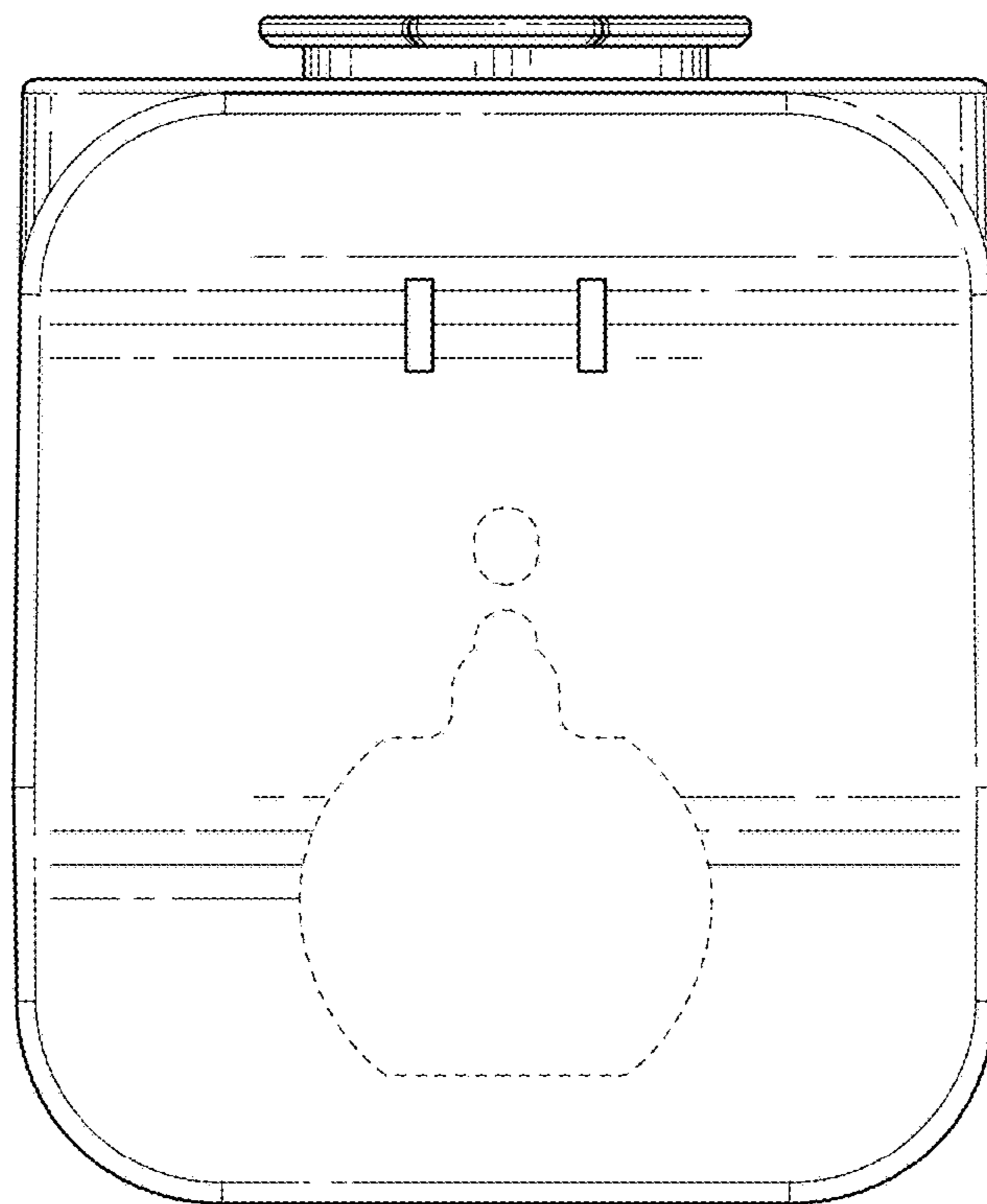


FIG. 8

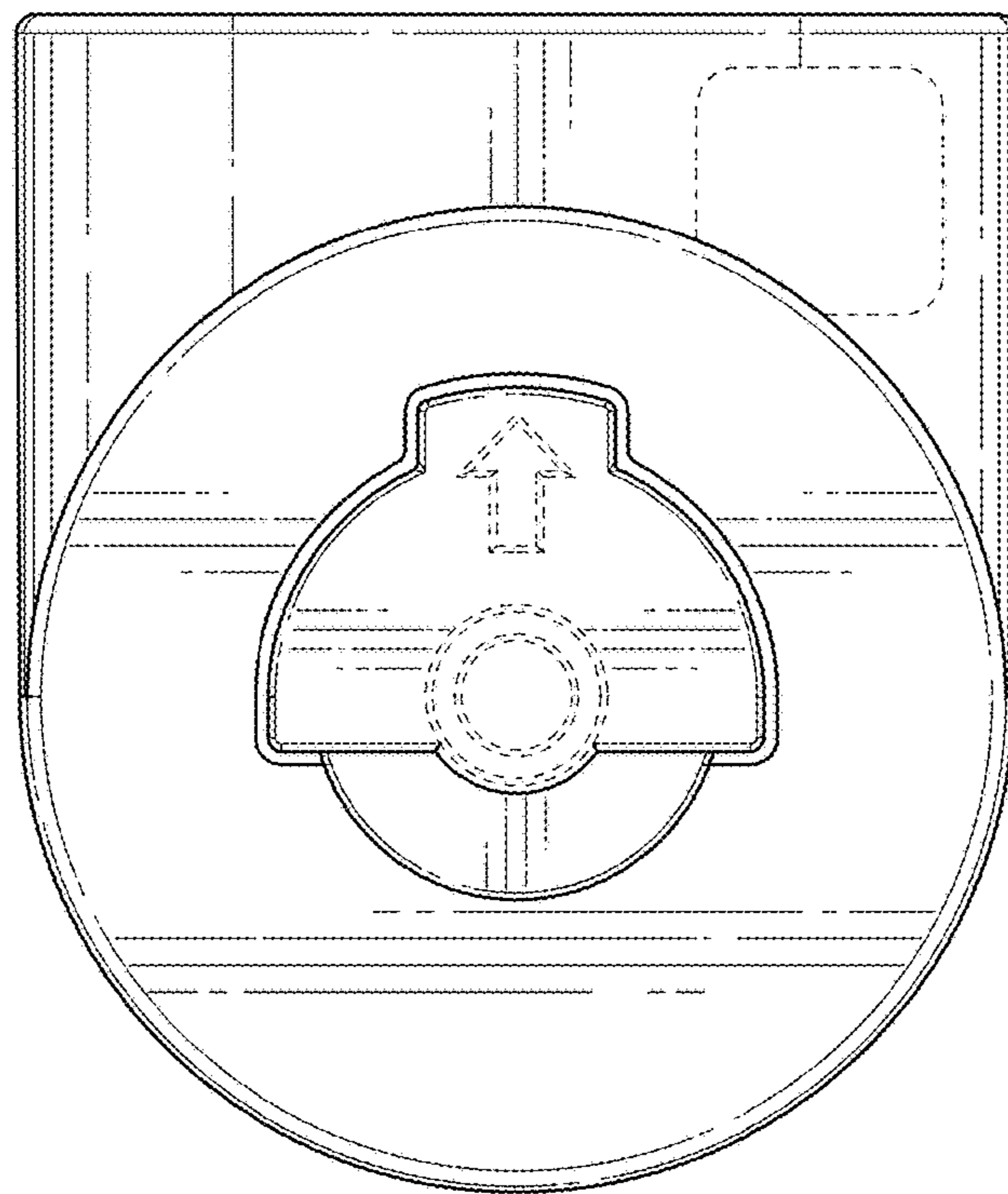


FIG. 9

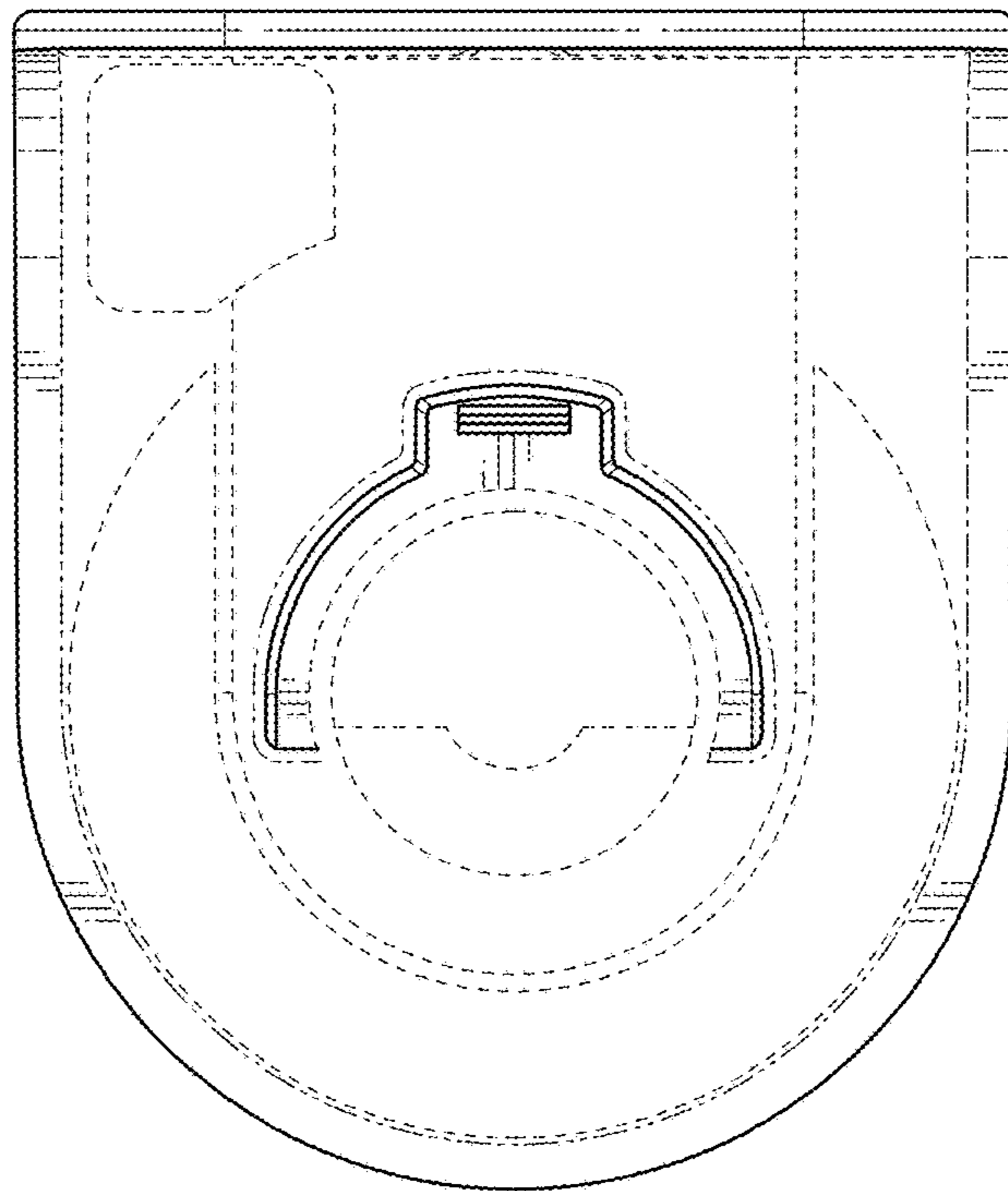


FIG. 10