



US00D841075S

(12) **United States Design Patent** (10) **Patent No.:** **US D841,075 S**  
**Martin et al.** (45) **Date of Patent:** **\*\* Feb. 19, 2019**

(54) **BIKE MOUNT FOR A PORTABLE VIDEO CAMERA**

D805,888 S \* 12/2017 De Los Santos ..... D8/396  
D809,991 S \* 2/2018 Giordano ..... D12/223  
D816,758 S \* 5/2018 Martin ..... D16/237  
2015/0286115 A1\* 10/2015 Koch ..... B62J 11/00  
248/615

(71) Applicant: **OCLU LIMITED**, East Grinstead (GB)

(72) Inventors: **Hugo Martin**, Oxfordshire (GB);  
**Robert William Moore**, Theale (GB);  
**Firas Kittaneh**, Tempe, AZ (US)

(73) Assignee: **OCLU LIMITED**, East Grinstead (GB)

(\*\*) Term: **15 Years**

(21) Appl. No.: **29/610,931**

(22) Filed: **Jul. 17, 2017**

(51) **LOC (11) Cl.** ..... **16-05**

(52) **U.S. Cl.**  
USPC ..... **D16/242**

(58) **Field of Classification Search**  
USPC ..... D16/219, 237–250; D14/224, 229, 238,  
D14/251, 253, 447, 451, 457; D8/354,  
D8/355, 363, 373, 382, 383, 394, 395,  
D8/396  
CPC ..... A45F 5/00; F16M 11/06–11/10; G02B  
7/00–7/002; G03B 17/56; G03B 17/561;  
G03B 17/563; G03B 17/565; G03B  
17/566; G03B 17/568; H04N  
5/2253–5/2254

See application file for complete search history.

(56) **References Cited**

**U.S. PATENT DOCUMENTS**

D366,887 S \* 2/1996 Wood ..... D16/242  
6,293,449 B1 \* 9/2001 McGuire ..... B62J 11/00  
224/420  
D561,008 S \* 2/2008 Jones ..... D8/355  
D629,078 S \* 12/2010 Dole ..... D23/262  
D742,386 S \* 11/2015 Rost ..... D14/447  
D748,183 S \* 1/2016 Polito ..... D16/242  
D782,294 S \* 3/2017 Dordick ..... D8/396  
D795,328 S \* 8/2017 Martin ..... D16/242  
D798,939 S \* 10/2017 Costa ..... D16/242

**OTHER PUBLICATIONS**

GoPro bike holder mount Fietsen Camera. [online] Published Feb. 16, 2013. Retrieved May 7, 2018 from URL: <https://nl.aliexpress.com/item/GoPro-bike-holder-mount-Cycling-Camera-Mounting-Bracket-Seatpost-Handlebar-Mount-Bicycle-Bike-Holder-Clamp-for/32330567470.html>.\*

(Continued)

*Primary Examiner* — Vy N Koenig

(74) *Attorney, Agent, or Firm* — Weiss & Moy, P.C.;  
Jeffrey D. Moy

(57) **CLAIM**

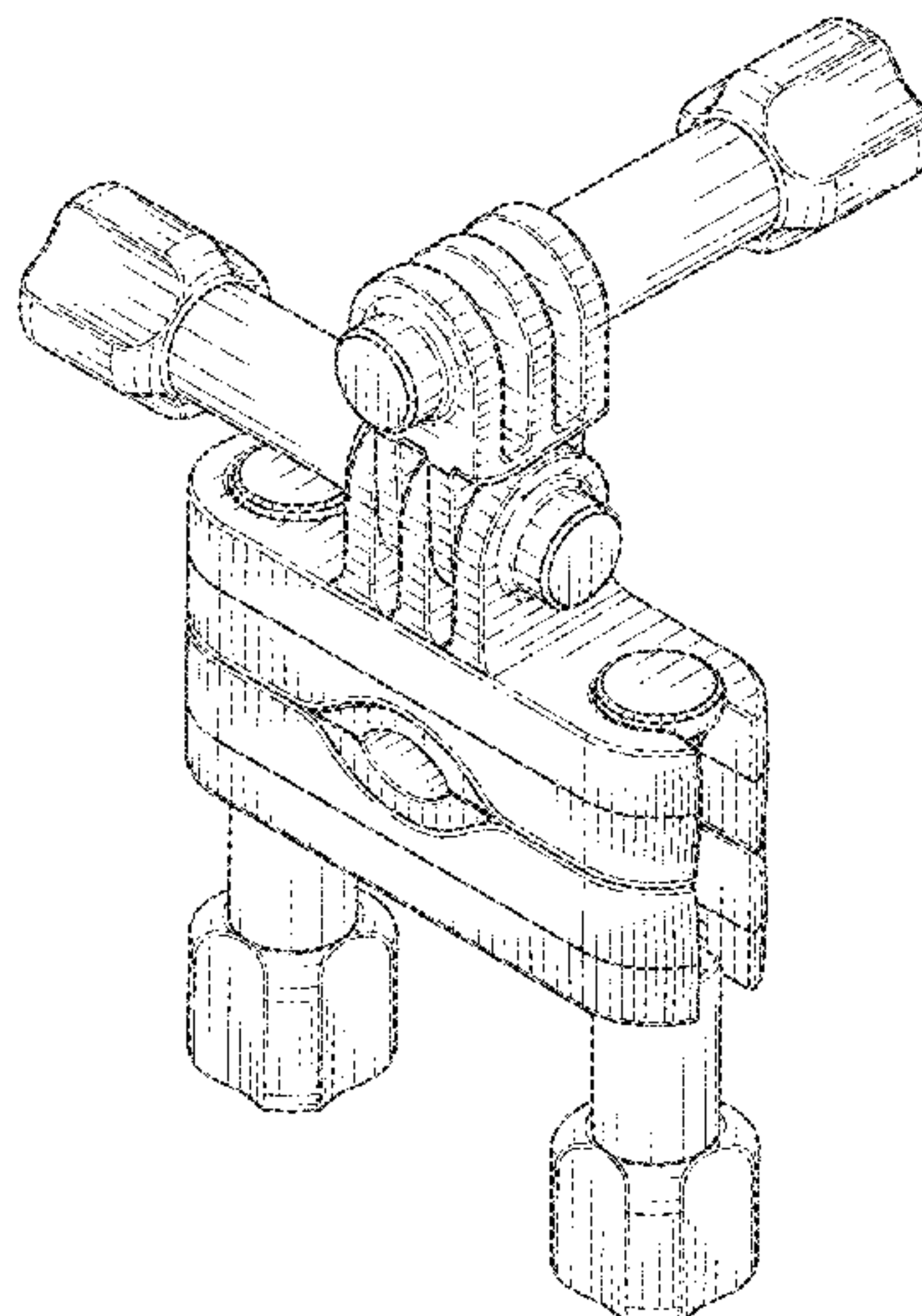
The ornamental design for a bike mount for a portable video camera, as shown and described.

**DESCRIPTION**

FIG. 1 is a front, right, top perspective view of a bike mount for a portable video camera showing our new design;  
FIG. 2 is front view of the bike mount for a portable video camera;  
FIG. 3 is a rear view of the bike mount for a portable video camera;  
FIG. 4 is a left side view of the bike mount for a portable video camera;  
FIG. 5 is a right side view of the bike mount for a portable video camera;  
FIG. 6 is top view of the bike mount for a portable video camera; and,  
FIG. 7 is a bottom view of the bike mount for a portable video camera.

The broken lines in the drawings depict portions of the bike mount that forms no part of the claimed design.

**1 Claim, 4 Drawing Sheets**



(56)

**References Cited**

OTHER PUBLICATIONS

Action Camera Bike Mount, Lammcou Aluminium Bike Handlebar Mount for GoPro 360. [online] Published Aug. 24, 2017. Retrieved May 7, 2018 from URL: <https://www.amazon.com/Lammcou-Aluminium-Handlebar-Actioncam-Mountainbike/dp/B074T98SRT>.\*

\* cited by examiner

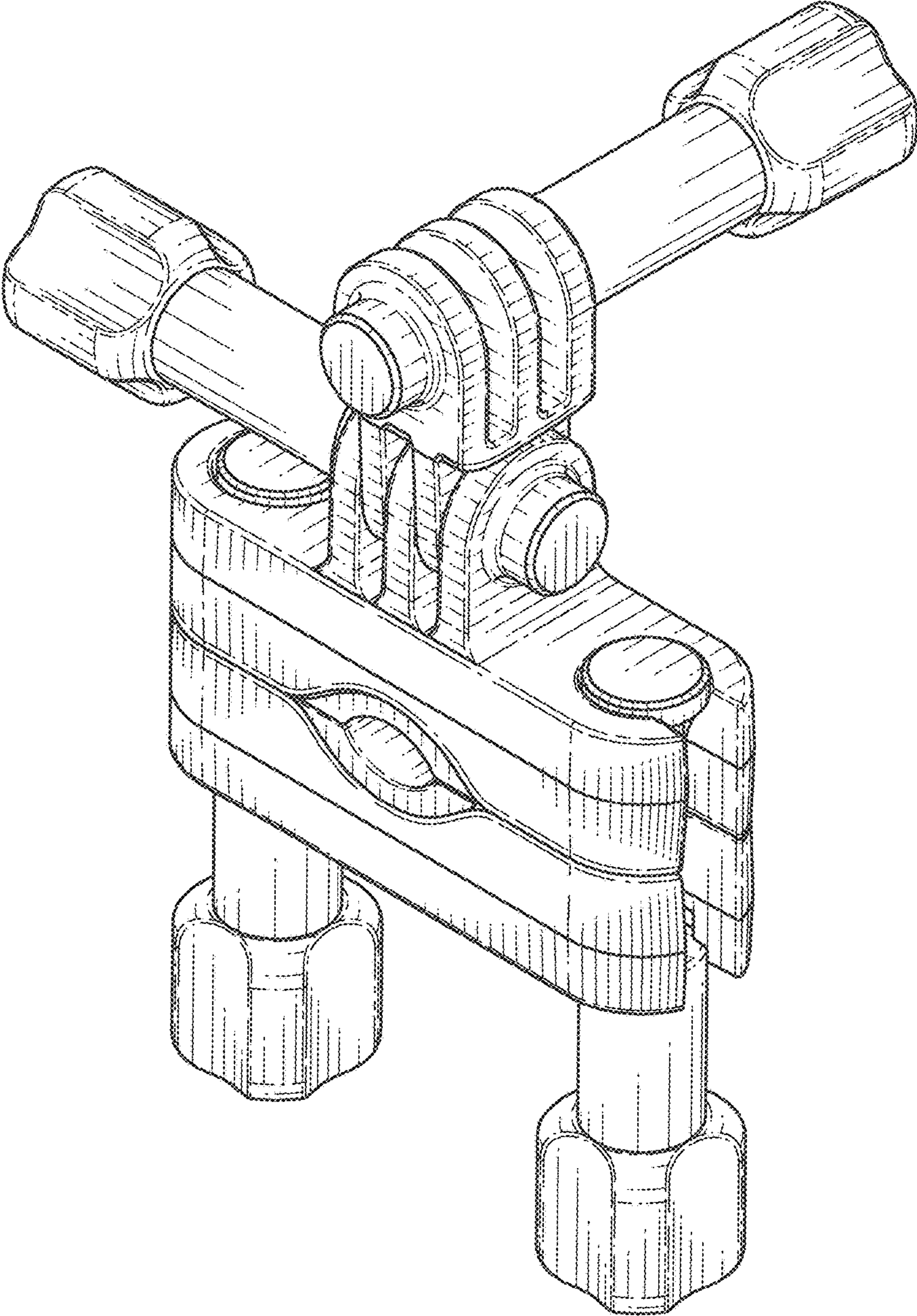


FIG. 1



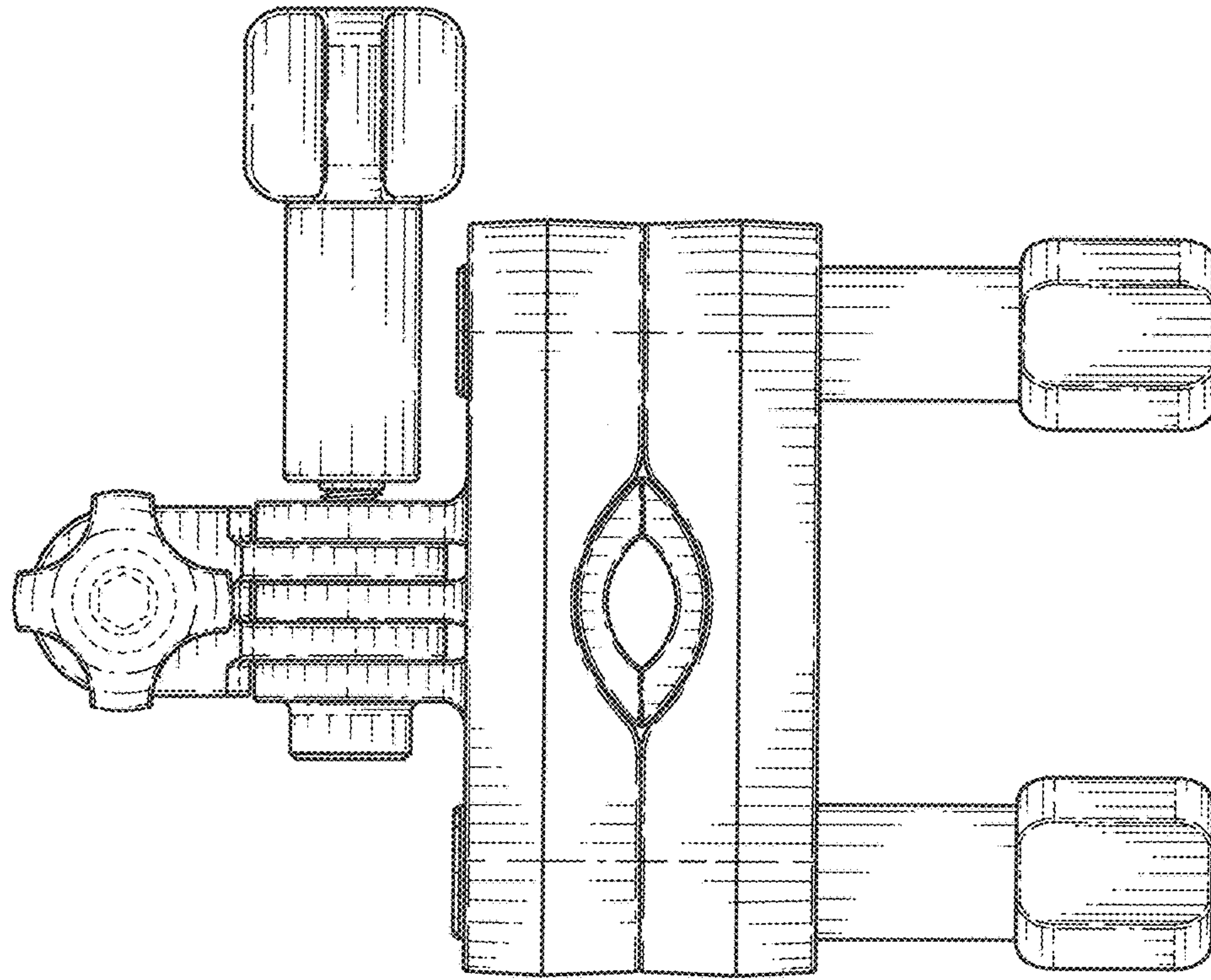


FIG. 2

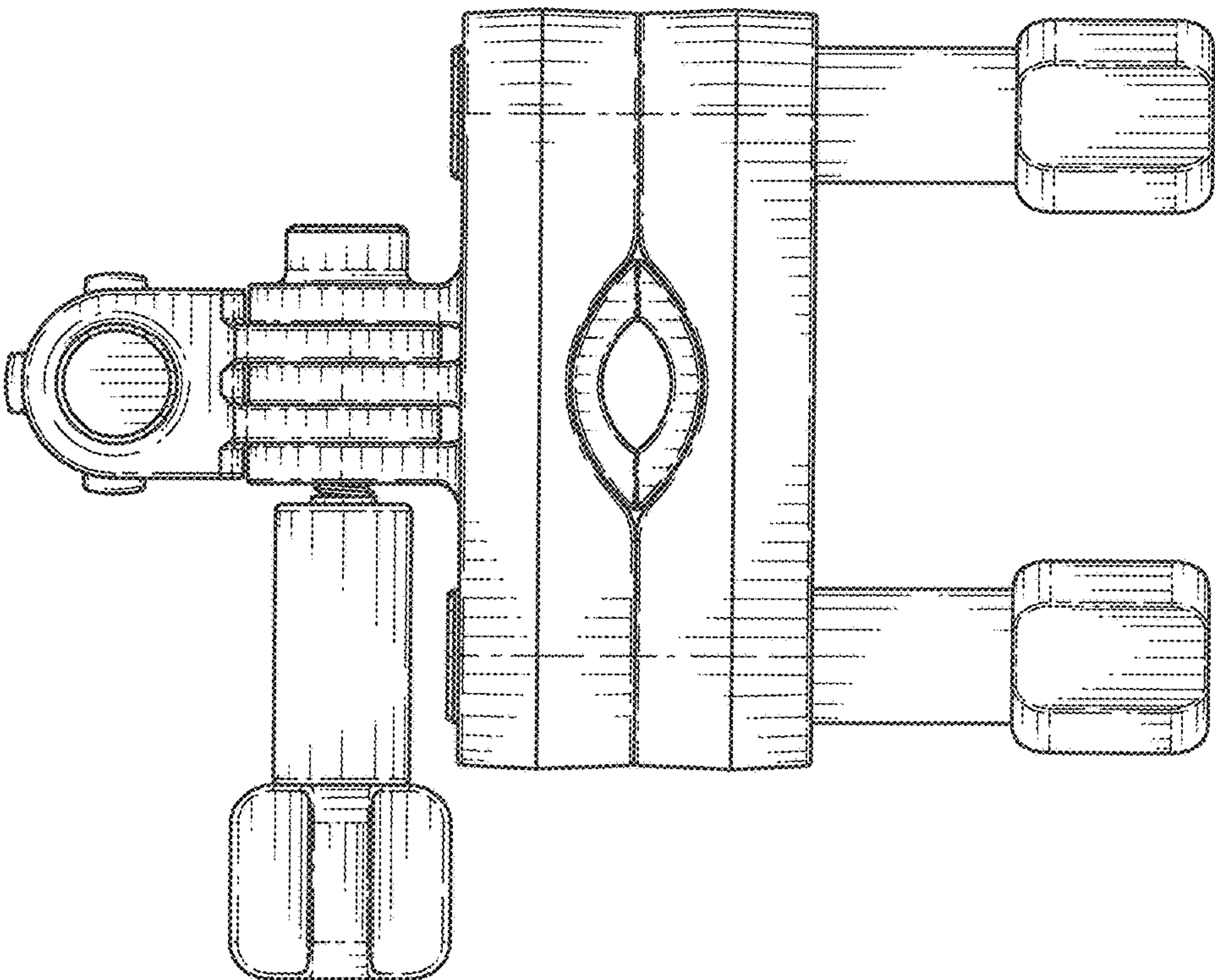


FIG. 3

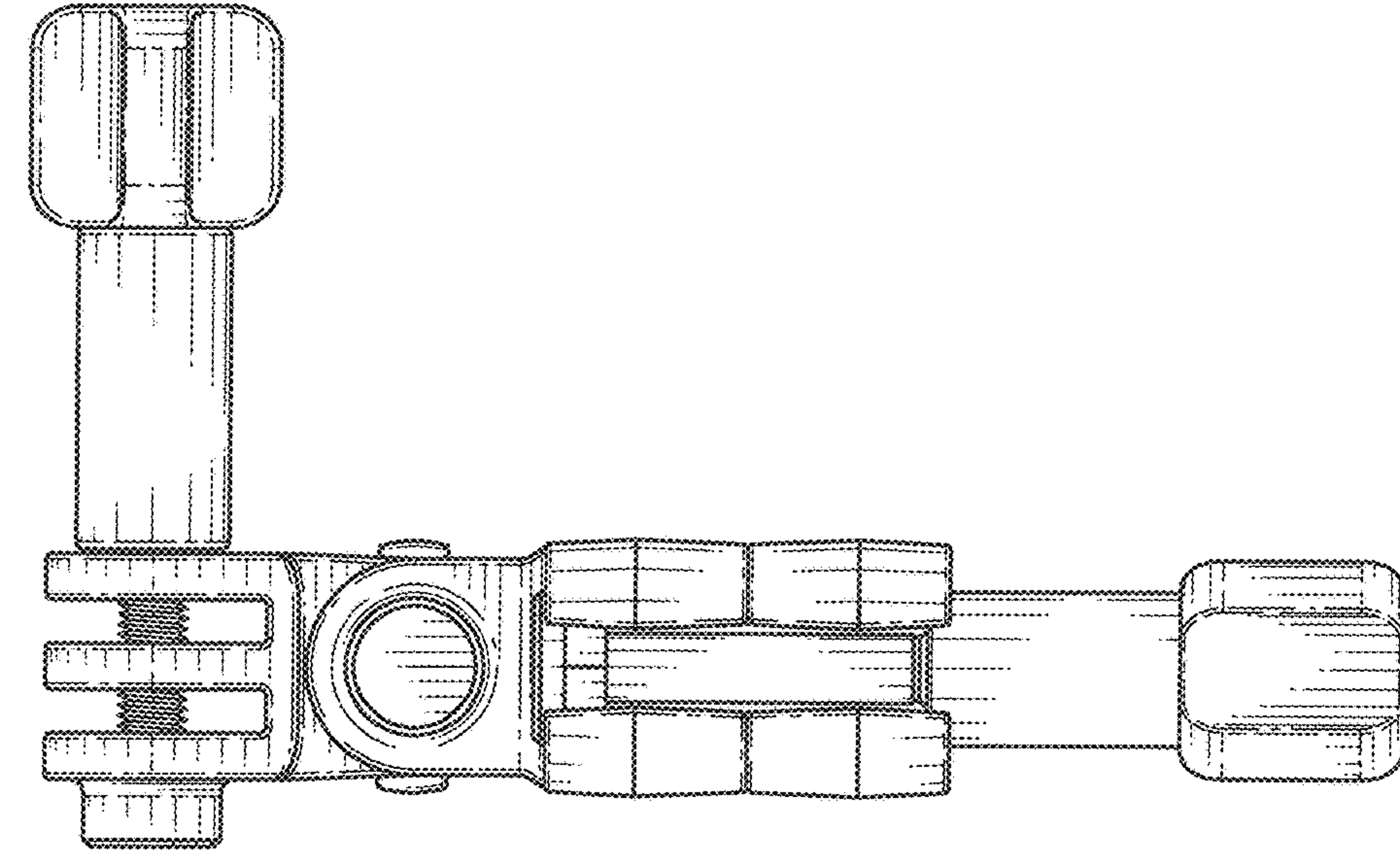


FIG. 5

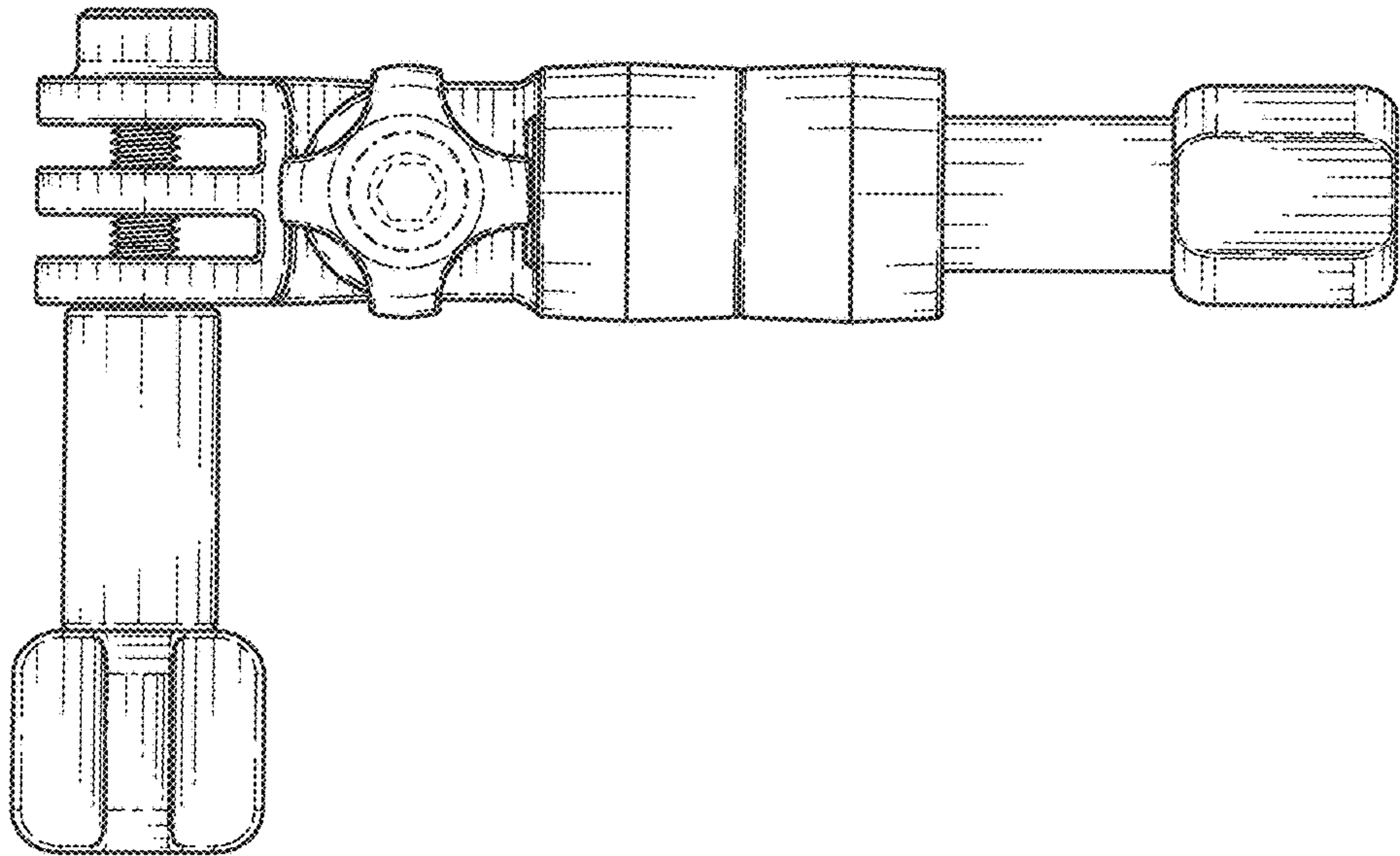


FIG. 4

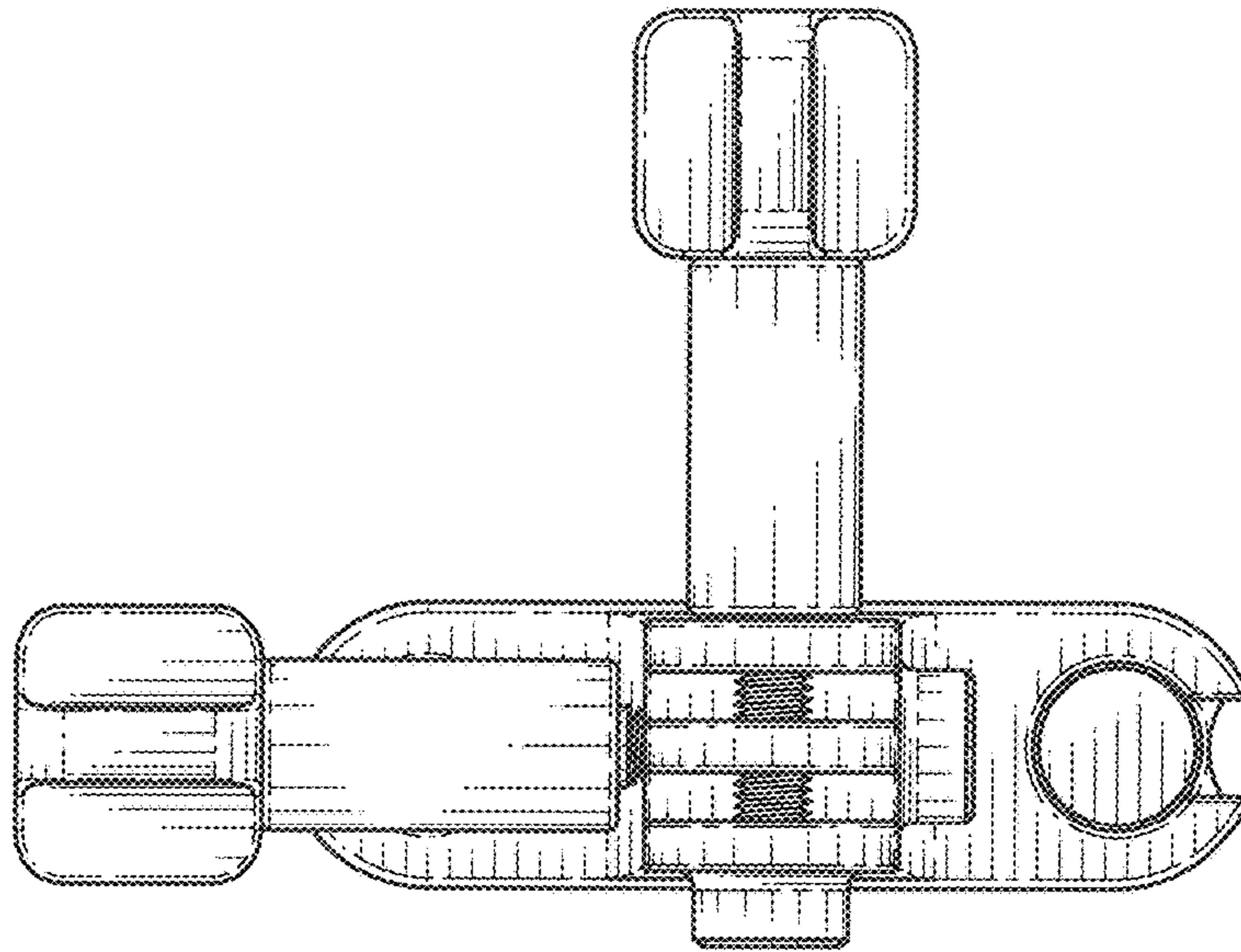


FIG. 6

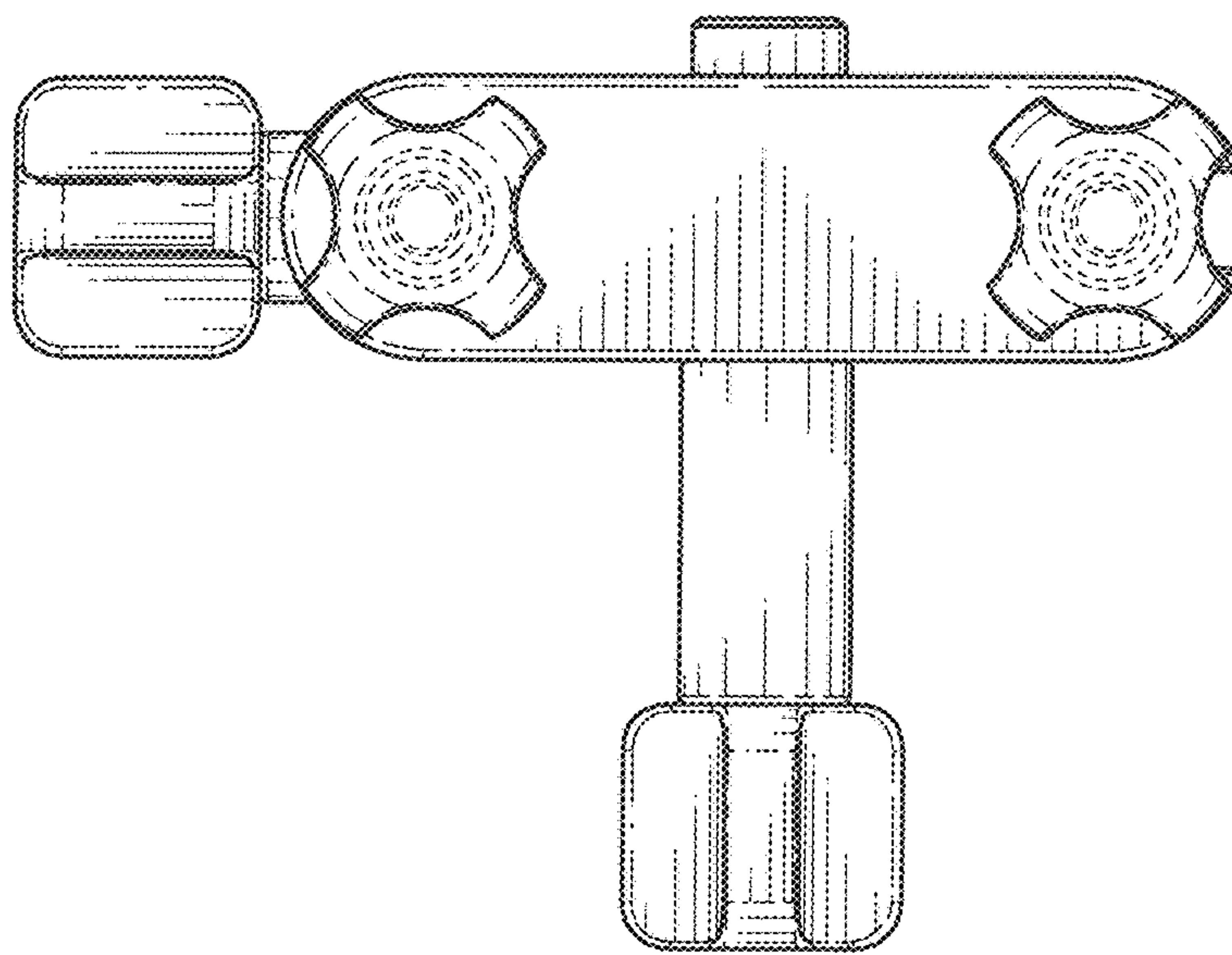


FIG. 7