



US00D841074S

(12) **United States Design Patent**  
**Ainetoft et al.**

(10) **Patent No.:** **US D841,074 S**

(45) **Date of Patent:** **\*\* Feb. 19, 2019**

(54) **MONITORING CAMERA**

(71) Applicant: **AXIS AB**, Lund (SE)

(72) Inventors: **Magnus Ainetoft**, Lund (SE); **Morten Bergstrom**, Lund (SE); **Mathias Walter**, Arlov (SE); **Mariano Vozzi**, Malmo (SE); **Daniel Ahman**, Lomma (SE); **Elin Carrander**, Bjarred (SE)

(73) Assignee: **AXIS AB**, Lund (SE)

(\*\*) Term: **15 Years**

(21) Appl. No.: **29/573,032**

(22) Filed: **Aug. 2, 2016**

(30) **Foreign Application Priority Data**

Feb. 2, 2016 (EM) ..... 002968743

(51) **LOC (11) Cl.** ..... **16-01**

(52) **U.S. Cl.**  
USPC ..... **D16/203**; D16/219

(58) **Field of Classification Search**  
USPC ..... D16/200–220, 239, 235, 242, 250, 310,  
D16/136; D14/251, 138 C, 302, 129,  
D14/130, 496; D26/28, 36, 37, 46, 39;  
D29/104; D10/104.1, 50, 65, 74  
CPC ... G02B 7/02; G02B 7/04; G02B 7/14; G03B  
17/00; G03B 17/14; G03B 9/08; H04N  
5/2252; H04N 5/2253; H04N 5/2254;  
H04N 7/00; F16M 13/00  
See application file for complete search history.

(56) **References Cited**

**U.S. PATENT DOCUMENTS**

593,077 A 11/1897 Bevan  
734,270 A 7/1903 Lester  
D44,564 S \* 8/1913 Hamm ..... D26/128  
1,104,330 A \* 7/1914 Townsend ..... F21V 17/02  
362/282

1,325,619 A \* 12/1919 Clemmans ..... F21S 48/145  
362/510

1,435,533 A 11/1922 Knackstedt

1,555,397 A \* 9/1925 Dean ..... F21V 11/00  
362/354

1,559,464 A \* 10/1925 Sachse ..... B60Q 1/24  
362/293

(Continued)

**FOREIGN PATENT DOCUMENTS**

TW D135662 7/2010

**OTHER PUBLICATIONS**

AXIS Communications Press Release, “Axis announces two new series of fixed dome network cameras for high-end installations and affordable volume deployments”, Lund, Mar. 25, 2014, www.axis.com, Vat No. SE 556253-614301.

*Primary Examiner* — Barbara Fox

*Assistant Examiner* — Mary C Ramirez

(74) *Attorney, Agent, or Firm* — Volpe and Koenig, P.C.

(57) **CLAIM**

The ornamental design for a monitoring camera, as shown and described.

**DESCRIPTION**

FIG. 1 is a perspective view of a monitoring camera showing our new design;

FIG. 2 is a right side view thereof;

FIG. 3 is a front elevational view thereof;

FIG. 4 is a top plan top plan view thereof;

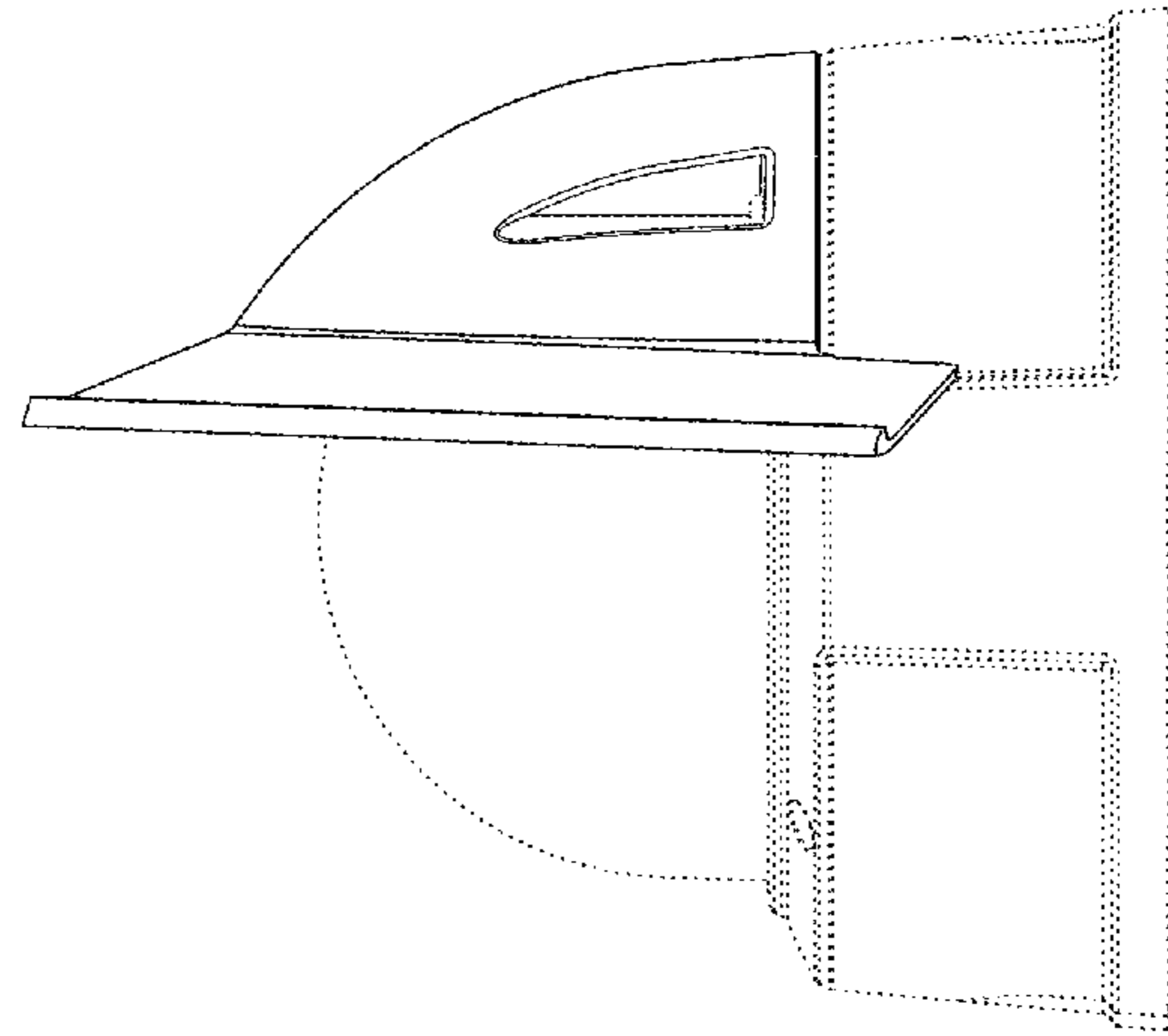
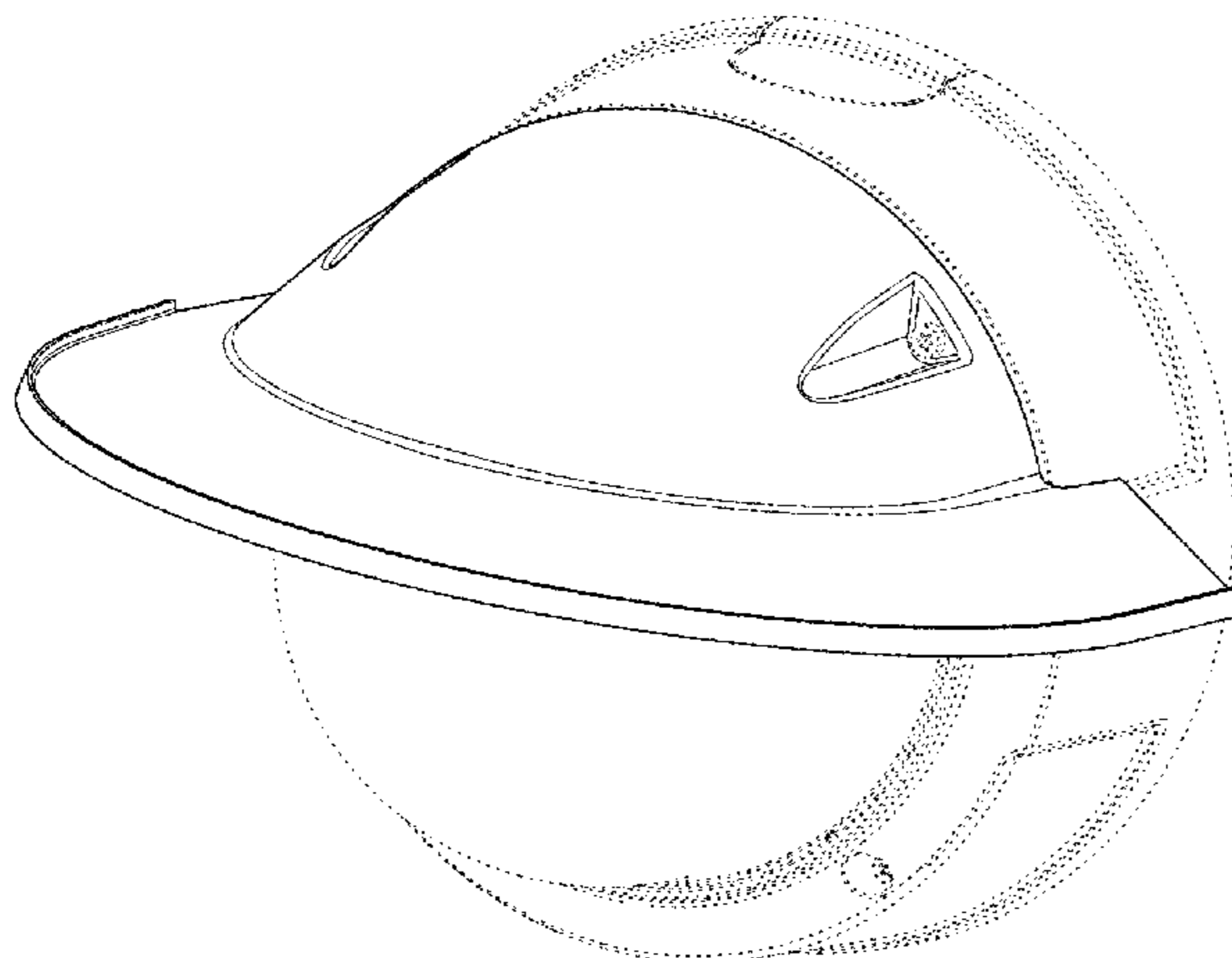
FIG. 5 is a left side view thereof;

FIG. 6 is a bottom plan view thereof, shown without the dome to show aspects of the design that are not visible when combined; and,

FIG. 7 is a rear elevational view thereof.

The broken lines shown in the drawings depict portions of the monitoring camera and form no part of the claimed design.

**1 Claim, 4 Drawing Sheets**



(56)

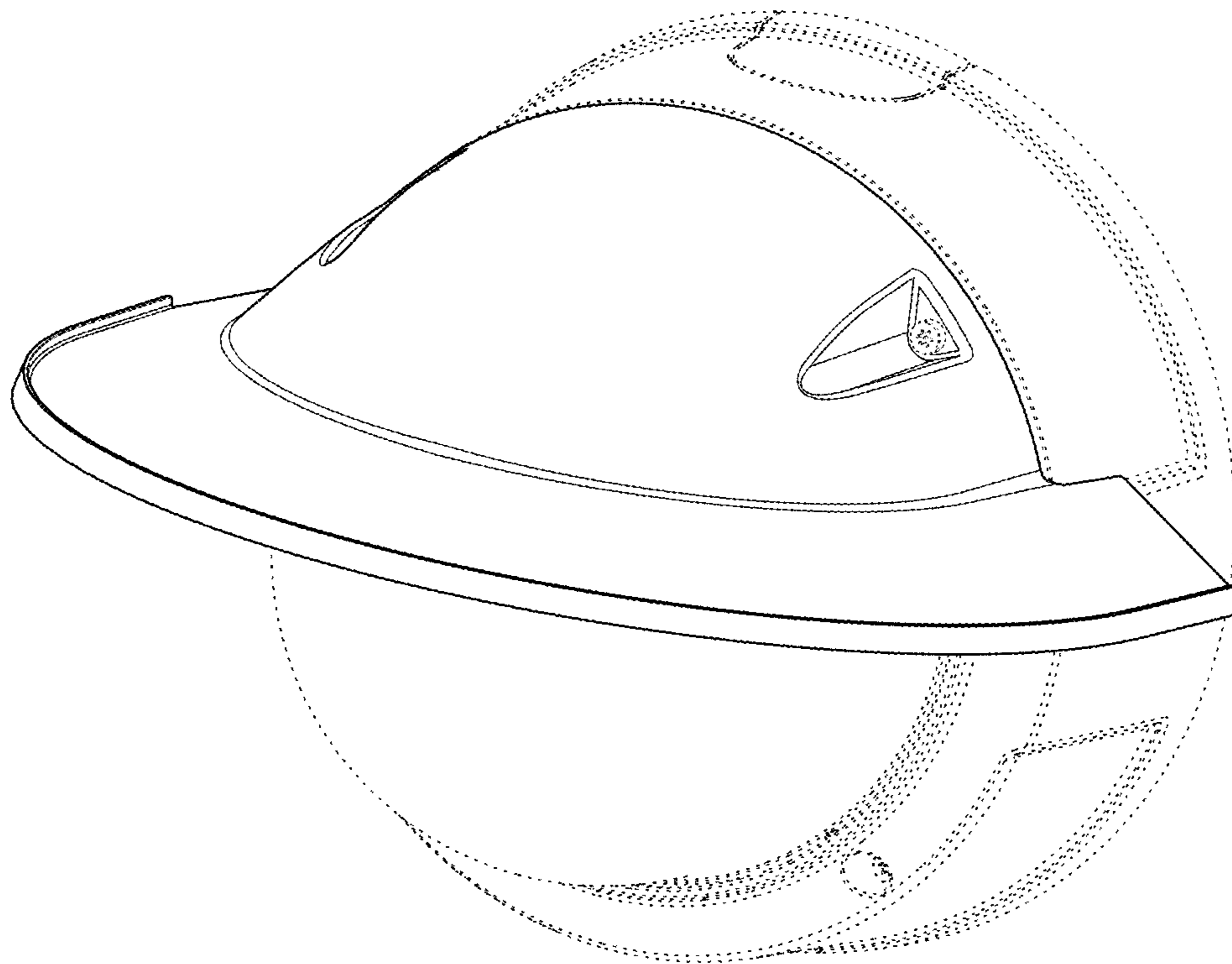
References Cited

U.S. PATENT DOCUMENTS

1,704,894 A 3/1929 Hendrikson  
 1,735,090 A \* 11/1929 Pollard ..... F21S 41/435  
 362/298  
 D84,280 S 6/1931 Frame  
 D84,982 S 9/1931 Frame  
 4,760,499 A 7/1988 II  
 D307,759 S 5/1990 Pagano  
 D320,478 S 10/1991 Metcalfe  
 D372,343 S \* 7/1996 Palmaer ..... D29/122  
 D375,568 S 11/1996 Matthies  
 D390,999 S 2/1998 Gaskins et al.  
 D437,969 S 2/2001 Chen  
 D452,696 S 1/2002 Fenton  
 6,860,654 B1 \* 3/2005 Ching-Wen ..... G08B 13/19619  
 348/143  
 D513,028 S \* 12/2005 Maruyama ..... D16/203  
 D553,660 S \* 10/2007 Yoneji ..... D16/202  
 D554,172 S \* 10/2007 Yoneji ..... D16/203  
 D556,231 S 11/2007 Kato et al.  
 D584,756 S \* 1/2009 Yamakawa ..... D16/203  
 D603,441 S 11/2009 Wada et al.  
 D606,105 S \* 12/2009 Hinkel ..... D16/203

D610,183 S \* 2/2010 Nohavec ..... D16/203  
 D612,974 S 3/2010 Guercio et al.  
 D623,213 S 9/2010 Boswell et al.  
 D628,225 S \* 11/2010 Deurwaarder ..... D16/203  
 D633,931 S \* 3/2011 Ham ..... D16/203  
 D634,660 S \* 3/2011 Sahibzada ..... D10/106.2  
 D644,677 S 9/2011 Park  
 D658,815 S 5/2012 DeLeon  
 D661,719 S \* 6/2012 Katori ..... D16/203  
 D684,619 S \* 6/2013 Chapple ..... D16/203  
 D703,370 S 4/2014 Helms et al.  
 D719,208 S 12/2014 Mohan  
 D721,755 S 1/2015 Ahman et al.  
 D740,874 S 10/2015 Ahman et al.  
 D750,684 S \* 3/2016 Katori ..... D16/203  
 D773,330 S 12/2016 Dietz et al.  
 D786,112 S \* 5/2017 Kucala ..... D10/106.1  
 D791,849 S 7/2017 Zhang  
 D791,851 S 7/2017 Zhang  
 D798,358 S 9/2017 Holbrook et al.  
 D801,407 S 10/2017 Kullgren et al.  
 D816,755 S 5/2018 Bamekow et al.  
 2016/0144798 A1 \* 5/2016 Yoshikuni ..... B60R 11/04  
 348/148  
 2017/0104908 A1 4/2017 Mukai

\* cited by examiner



*Figure 1*

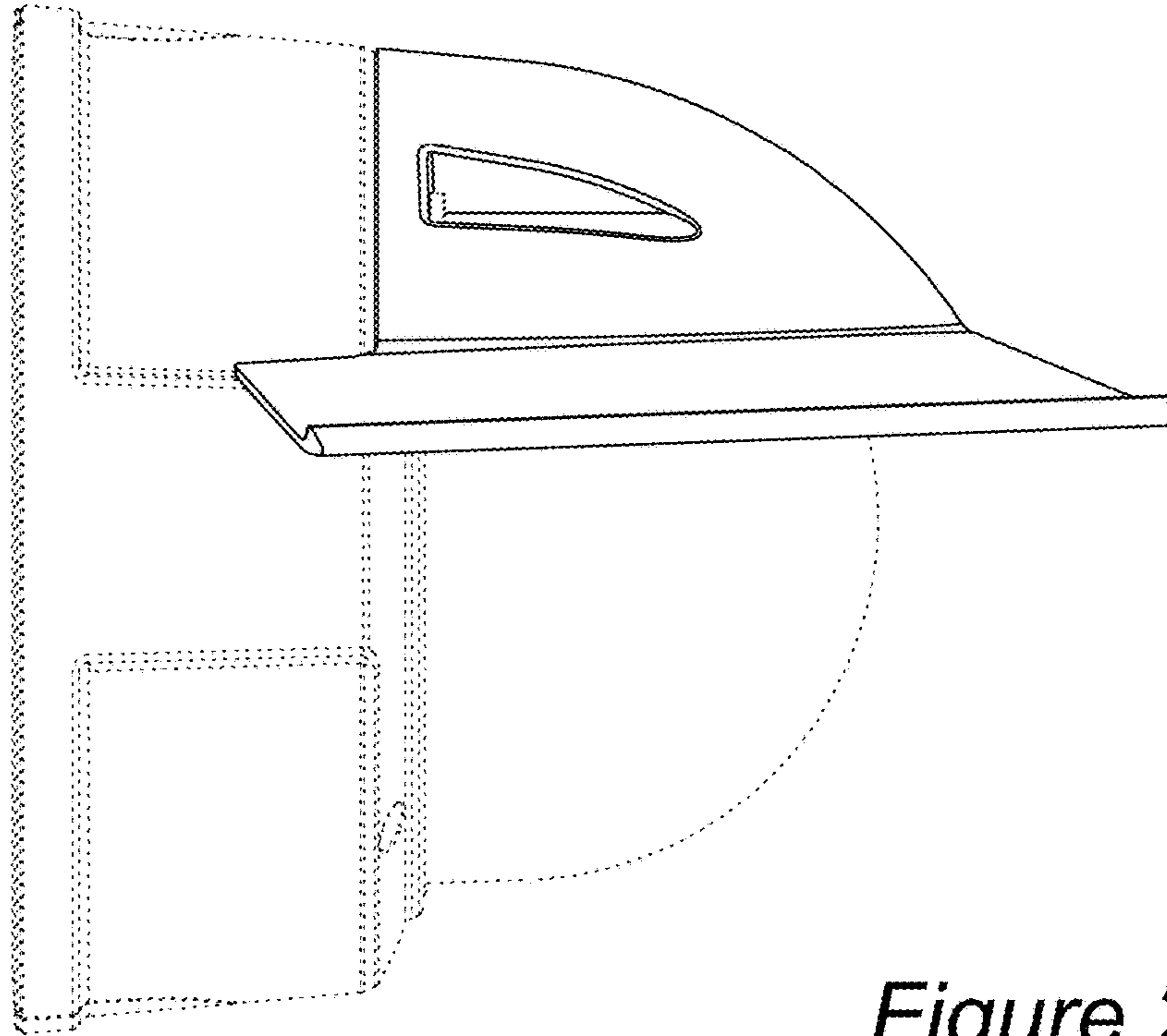


Figure 2

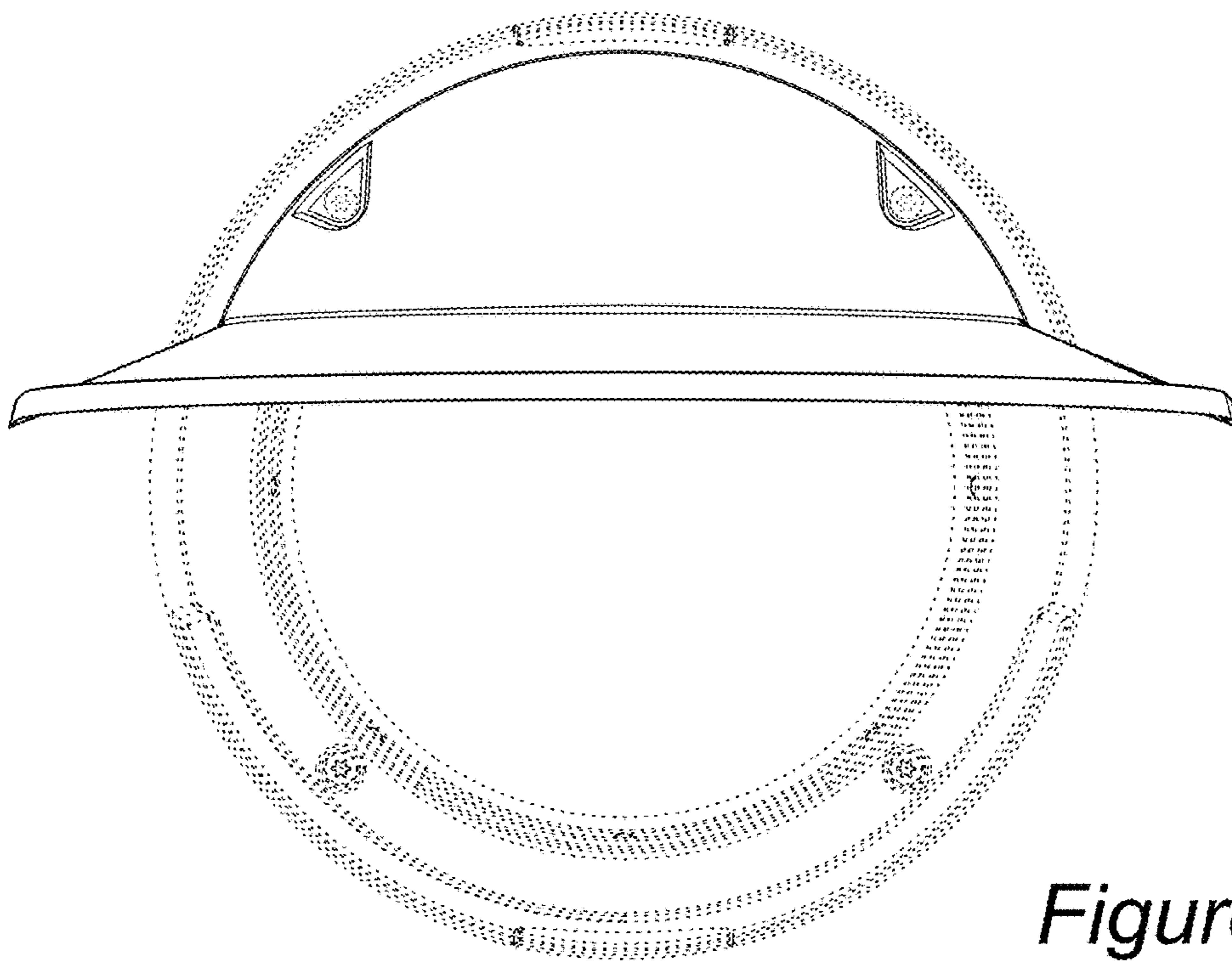


Figure 3



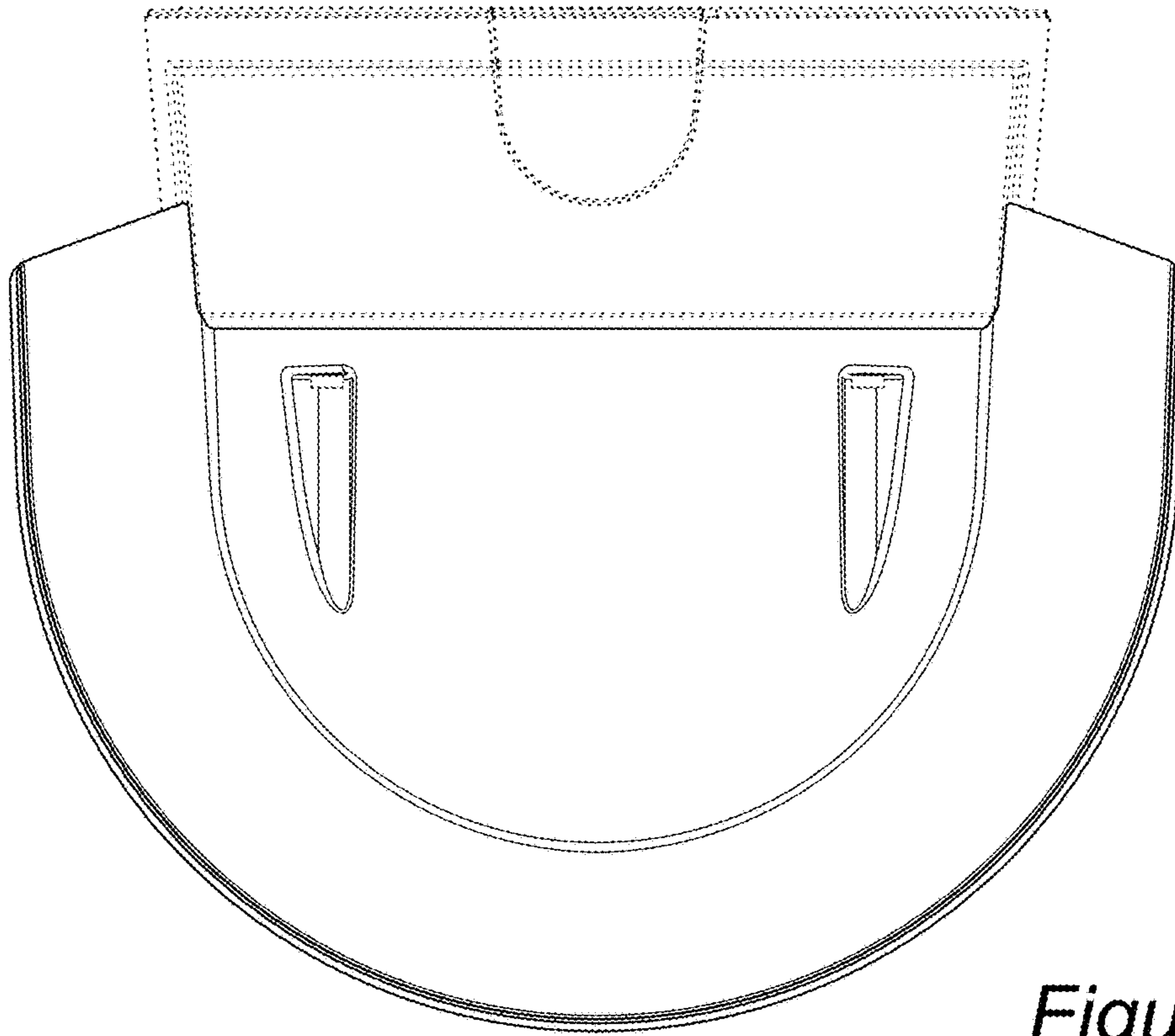


Figure 4

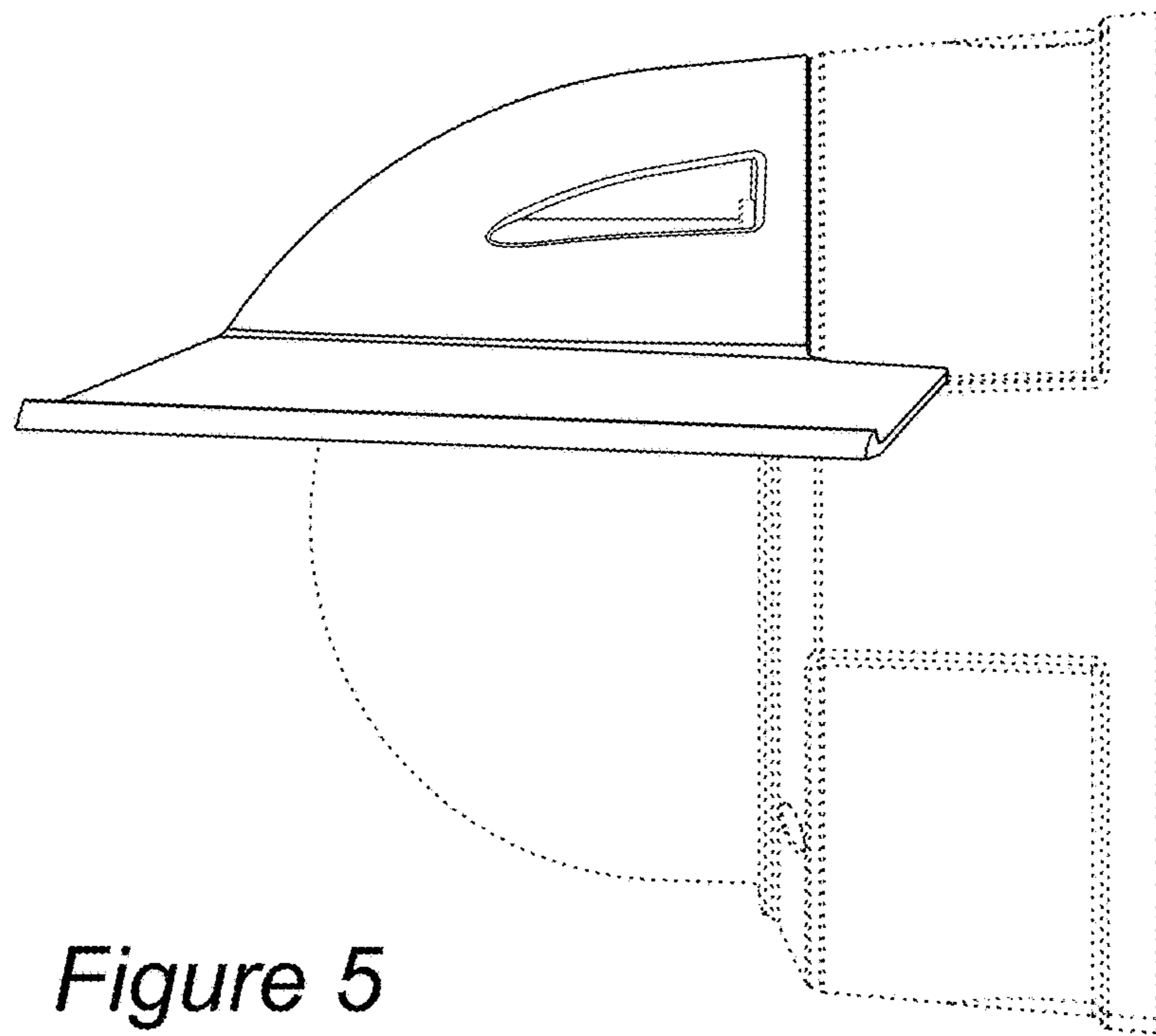


Figure 5

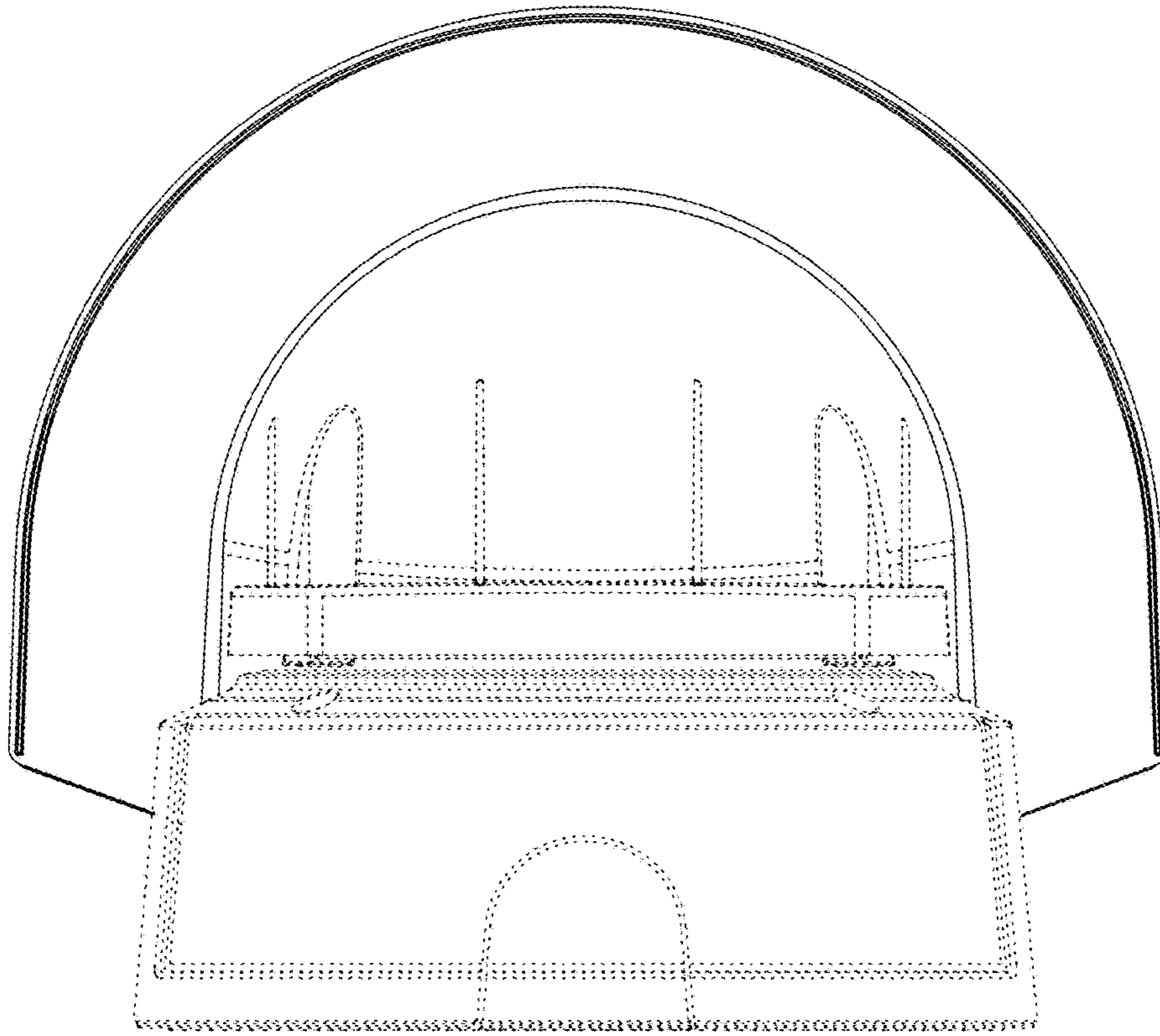


Figure 6

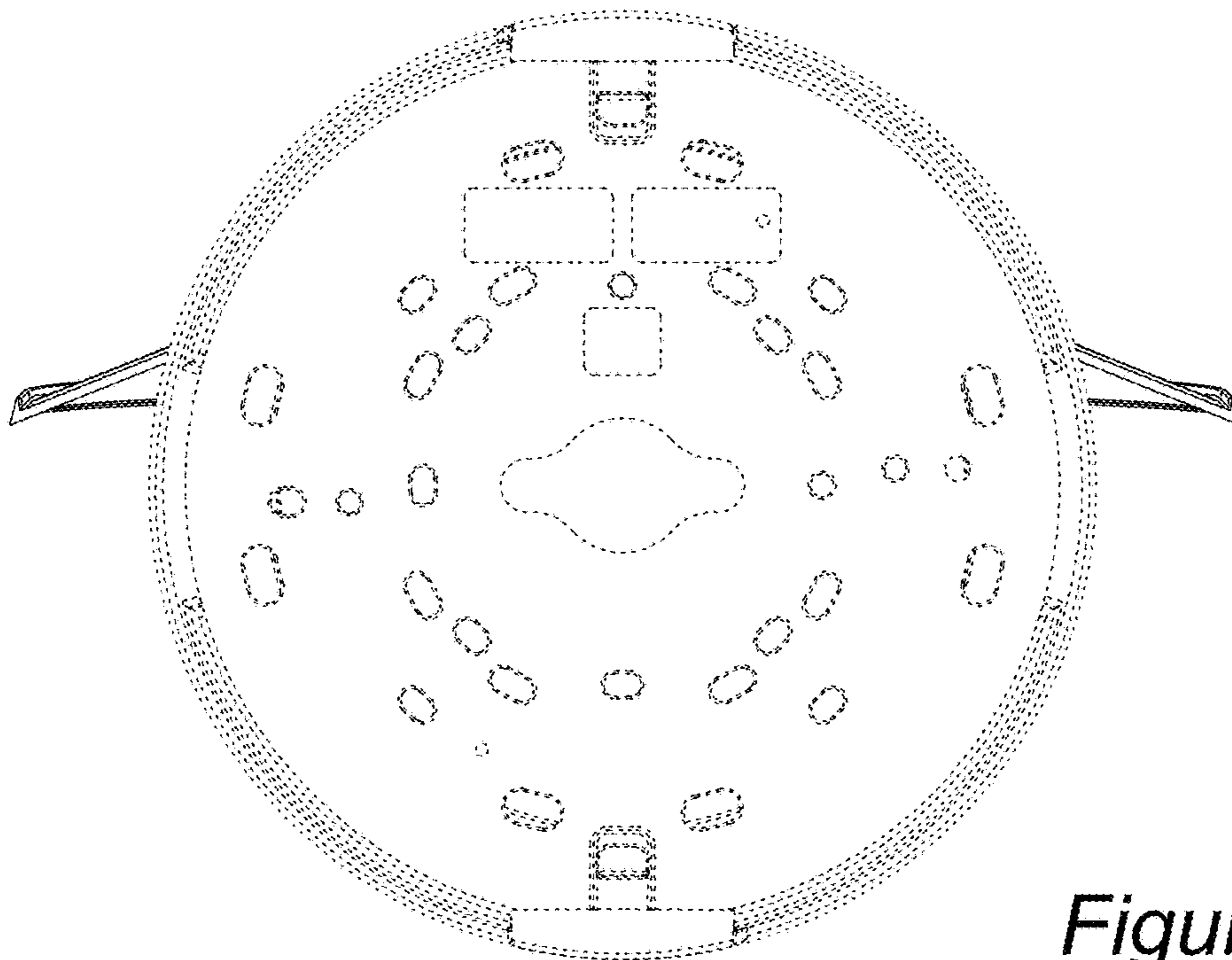


Figure 7